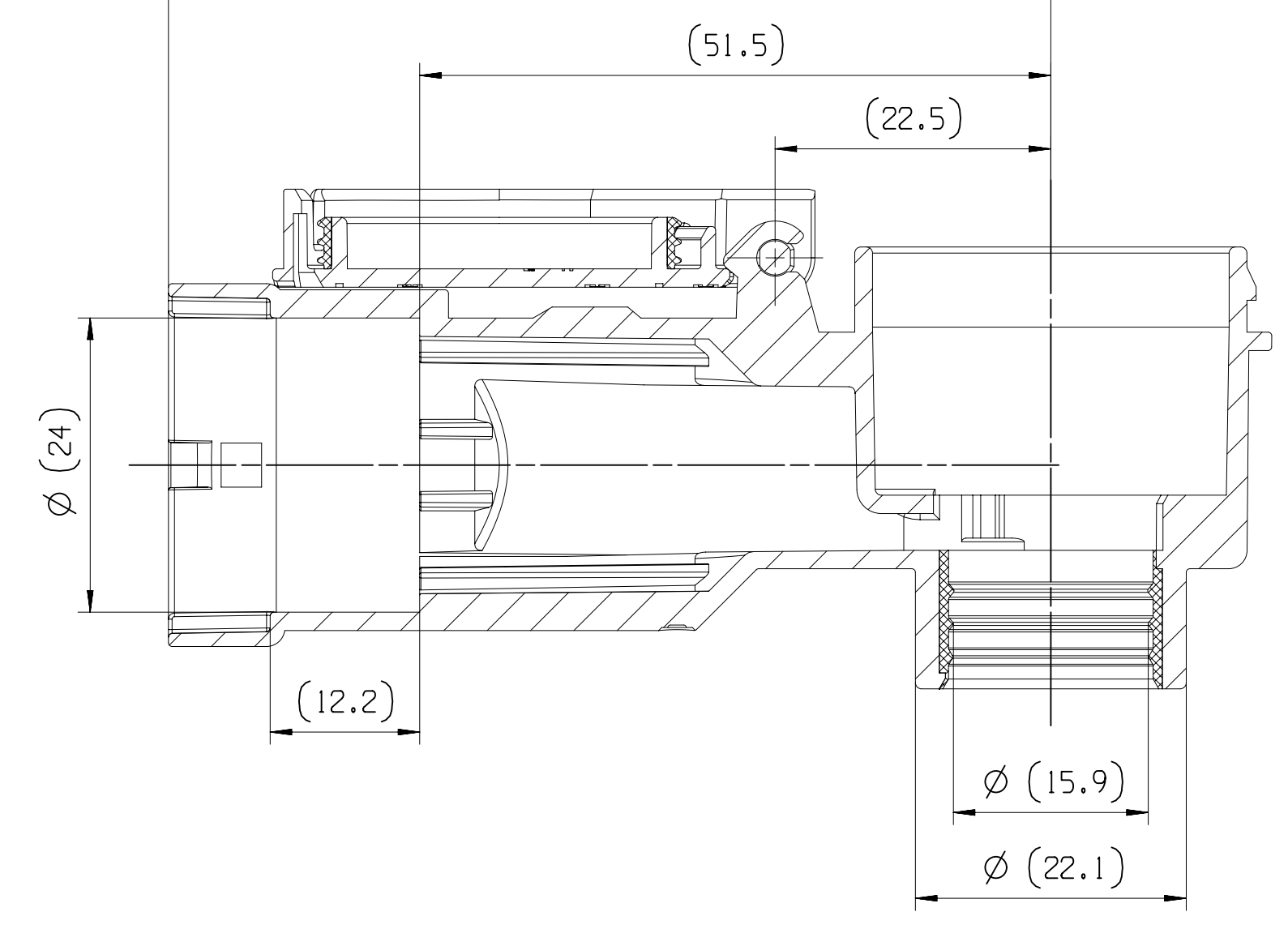


SECTION A-A  
(72)

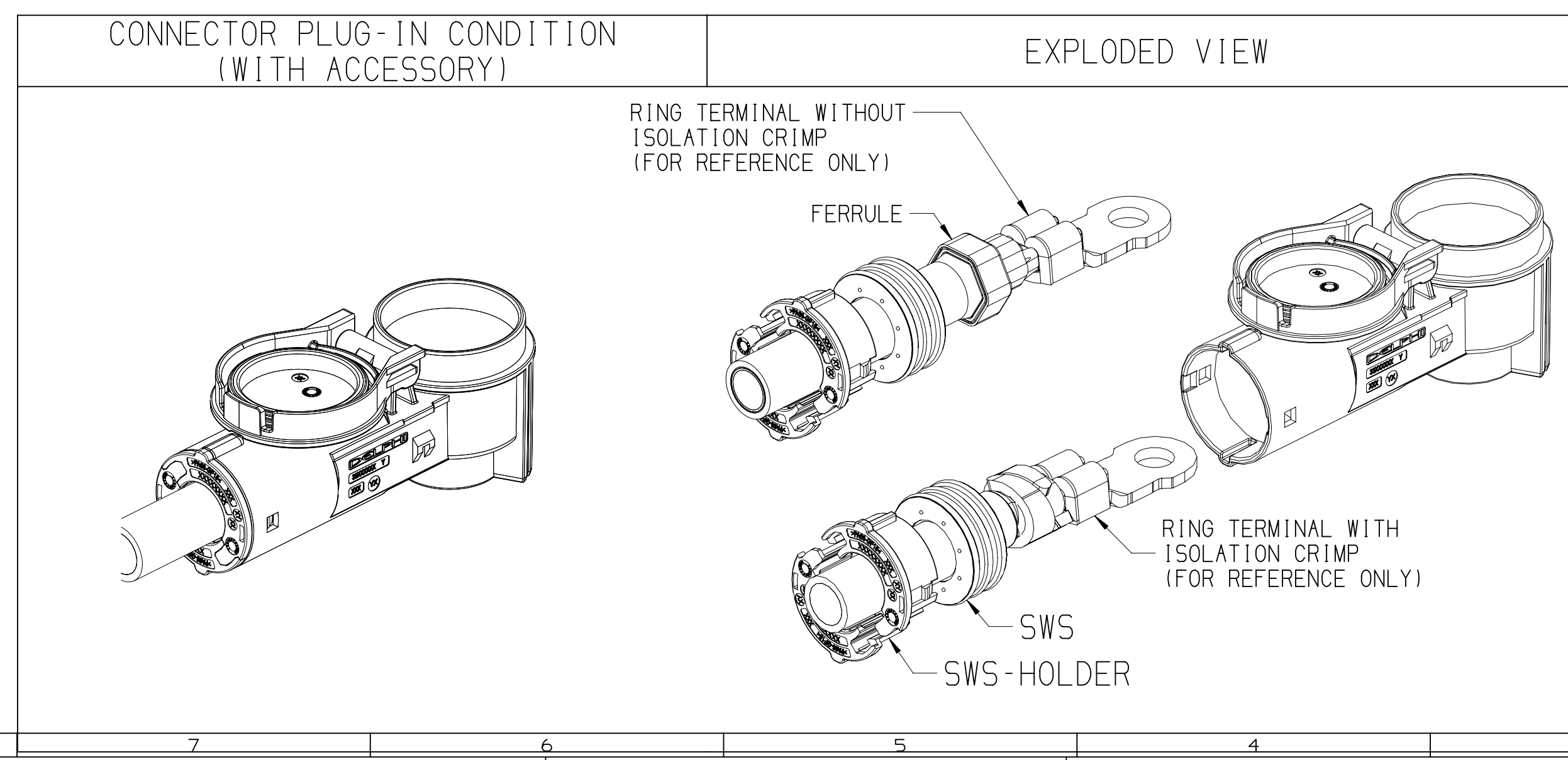
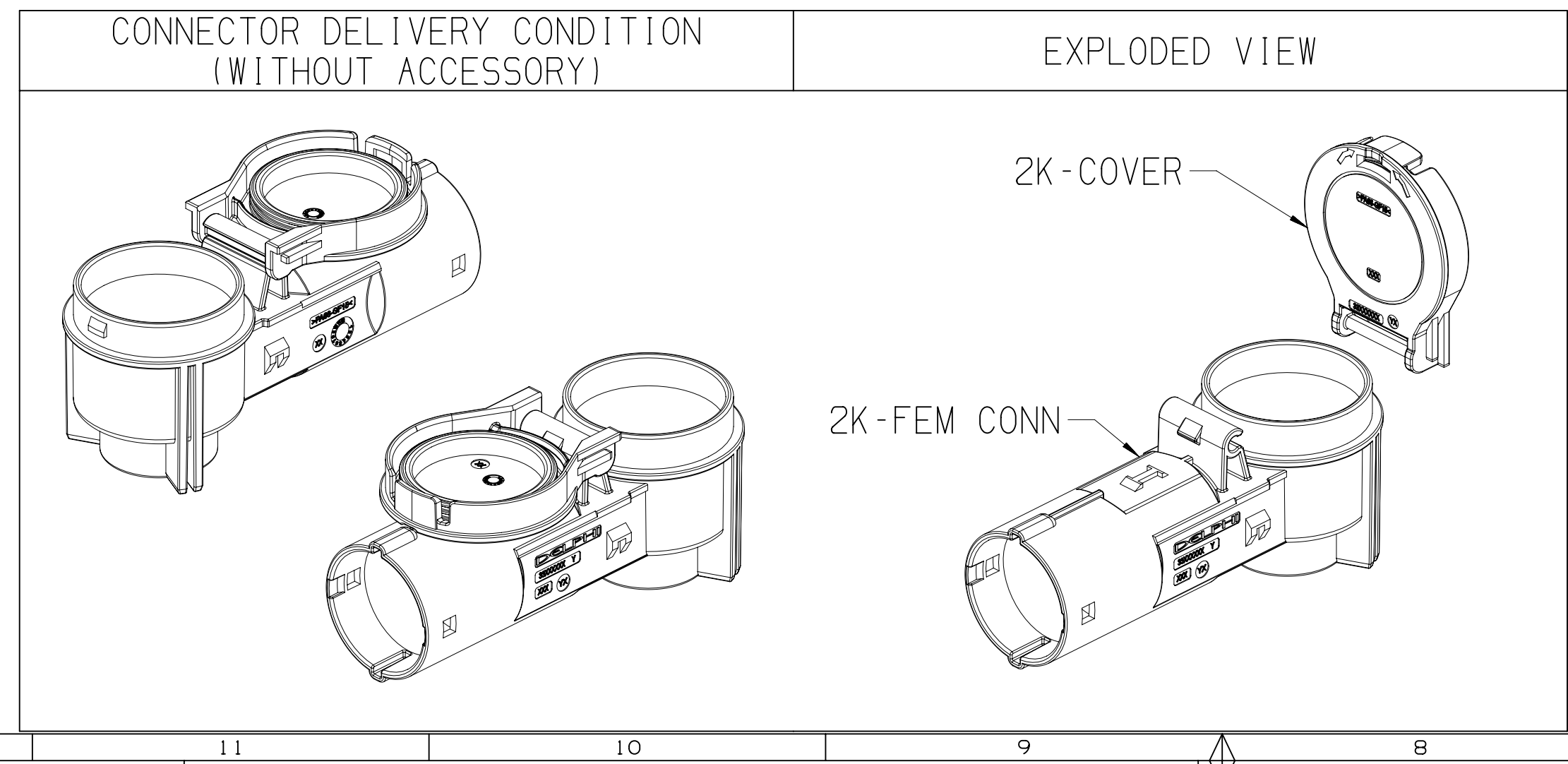


ITEM	DESCRIPTION	REMARKS / DOCUMENT REF.
1	DELPHI REVISION INDEX	SEE TABLE
2	DATE INSERT ACC. TO	MONTH AND YEAR
3	MATERIAL MARKING	VDA260
4	MANUFACTURING LOCATION CODE SEE DRAWING	S2100001
5	DELPHI-LOGO	-
6	DELPHI-PART NUMBER	-
7	MOLD CAVITY IDENTIFICATION X:CAVITY; Y:CAPACITY MOLD	-
8	KEY CODE	-
9	DELIVERY CONDITION WITH COVER OPEN	-
10	SPACE OF ACTIVITY	-
11	MARKING FOR COVER OPENING AREA OF SCREWDRIVER	-
12	FOR TECHNICAL DATA, SEE DRAWING	35049932-CUS02-S01
13	APPLICATION OF FERRULE & CRIMP SEE SPECIFICATION	33329993-CUS72-S02
14	RELATING SPECIFICATION SEE INTERFACE DRAWING	33347307
15	KEY CODE A SHOWN	-
16	PERFORMANCE SPECIFICATION ACC. TO SPEC.	PF_90012; DATED 22-APR-2014 (USCAR 2 REV.6 2013) (USCAR 21 REV.2 2008)
17	INSERTION FORCE RING TERMINAL: ≤80N	-
18	COVER CLOSING FORCE: ≤75N	-
19	COVER OPENING FORCE: ≥110N	-
20	CONNECTOR MATING FORCE: ≤60N	-
21	FOR DELPHI PRODUCT SPECIFICATION REFER TO	33350650-CUS74-S01
22	FOR DELPHI ASSEMBLY MANUAL REFER TO	33350650-CUS72-S01
23	THE M8 BOLT AND THE COUNTER BEARING MUST ABSORB A RECOMMENDED TORQUE OF 16NM ± 1 NM +10% (IEC-SCREWDRIVER) OR ACCORDING TO COMPONENTS SPECIFICATION	33347307

ACCESSORIES INFORMATION					SPARE PART
P/N	RING TERMINAL	FERRULE	SWS	SWS-HOLDER	2K-COVER
33329994 (Sn)			35093138 (35qmm UNSHIELDED) ISOLATION DIAMETER: 9.8 - 11.0mm 35095204 (50qmm UNSHIELDED) ISOLATION DIAMETER: 11.5 - 12.8mm	33376821	33376683
33329995 (NiAg)					
35066911 (Sn)		35081540	35049931 (35qmm SHIELDED) ISOLATION DIAMETER: 12.5 - 13.5mm		
35066936 (NiAg)		35091044			

PHYSICAL CHARACTERISTICS				
KEY ORIENTATION	TEMPERATURE	VIBRATION	SEALED	RESTRICTION STATUS
A	T3 (125°C)	V2 (V3)	S3	NO
B	T3 (125°C)	V2 (V3)	S3	NO
C	T3 (125°C)	V2 (V3)	S3	NO

	SUB ASSEMBLY	COLOUR	MATERIAL	WEIGHT (gr)
I I I	2K-COVER	BLACK & RED-BROWN	PA66-GF15 & LSR 40 SHORE	4.35
I X X	2K-FEM CONN KEY A	BLACK & RED-BROWN	PA66-GF15 & LSR 40 SHORE	19.54
X I X	2K-FEM CONN KEY B	BLACK & RED-BROWN	PA66-GF15 & LSR 40 SHORE	19.54
X X I	2K-FEM CONN KEY C	BLACK & RED-BROWN	PA66-GF15 & LSR 40 SHORE	19.54



UNLESS OTHERWISE SPECIFIED

GENERAL TOLERANCES ACCORDING TO:

L: LINEAR DIMENSIONS ±0.2 / ±0.2

R: RADIUS, CHAMFER AND ANGLE ISO 2768-M

GD&T ACCORDING TO: ISO 2768-H

REFERENCE

FIRST ANGLE PROJECTION

DO NOT SCALE

USE MATH DATA

**APTIV**

CONNECTION SYSTEMS  
Nuremberg, Germany

COPYRIGHT 2016 APTIV. ALL RIGHTS RESERVED.

THIS DRAWING IS THE PROPERTY OF APTIV AND CONTAINS APTIV CONFIDENTIAL INFORMATION. THE REPRODUCTION, DISTRIBUTION AND UTILIZATION OF THIS DOCUMENT OR ITS RELATED CAD DATA, AS WELL AS COMMUNICATION OF ANY CONTENT TO OTHERS, WITHOUT EXPRESS AUTHORIZATION, IS PROHIBITED.

DESE ZEICHNUNG IST EIGENTUM DER FIRMA DELPHI UND ENTHÄLT DELPHI VERTRAULICHE INFORMATIONEN. DIE REPRODUKTION, VERTEILUNG UND NUTZUNG DIESES DOKUMENTES ODER DIESER ZUGEHÖRIGEN CAD DATEN, ODER AUCH ALS KOMMUNIKATION VON BEZUGEN INHALT ZU ANDEREN, IST OHNE BEZUGENHABERZULASSUNG DURCH DIE DELPHI CORPORATION UNTERSAGT.

DATE	BY
26SE16	N.DOBERNIG
28SE16	R.HINTEREGGER
28SE16	F.PACHER

MATERIAL

DATE

33350650

SIZE A0 SCALE 1:1 FRAME NO 1 OF 1 SHEET NO 1 OF 1 REV 02 AD

33376962  
33376953  
33376951

1513426