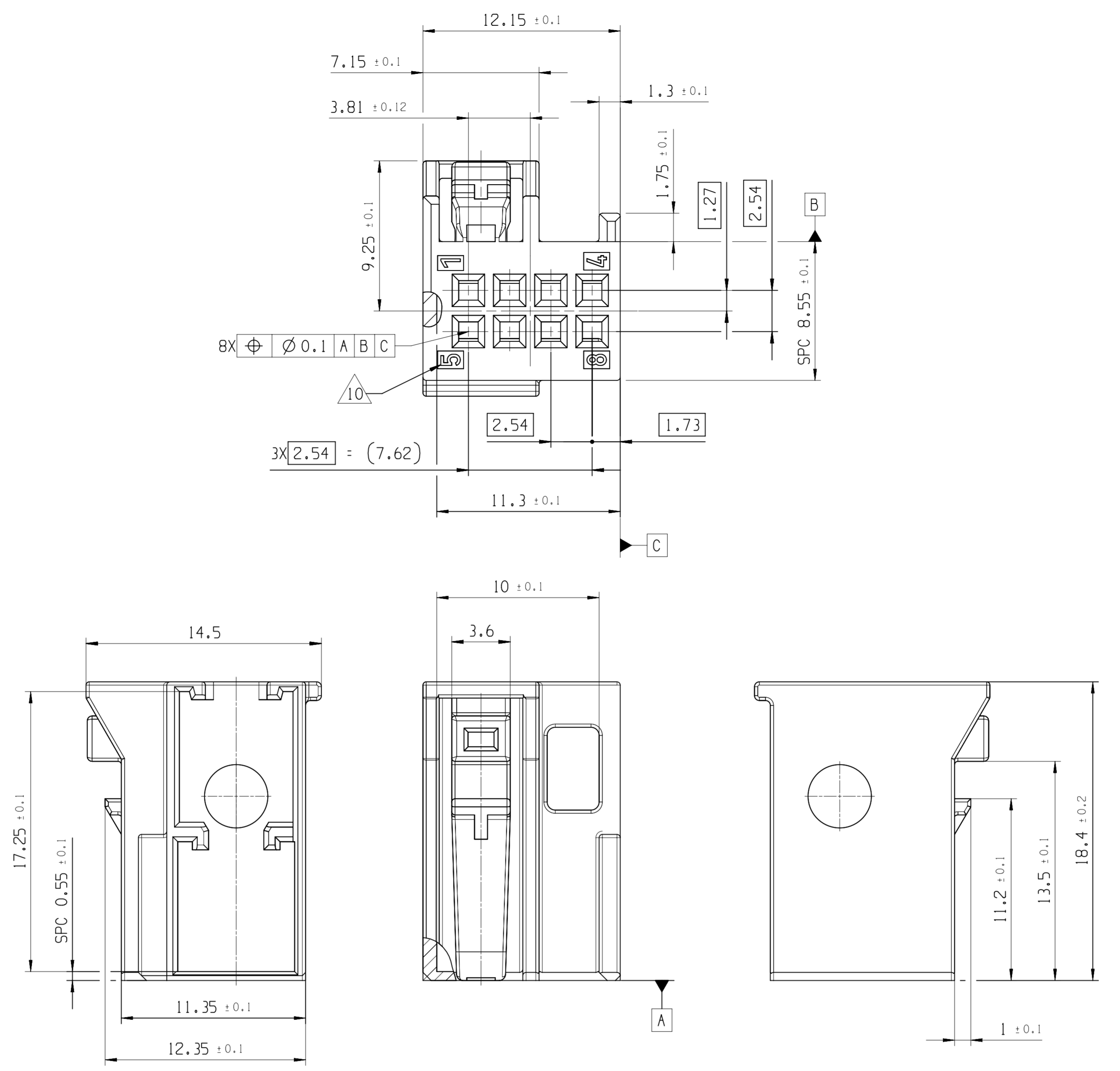
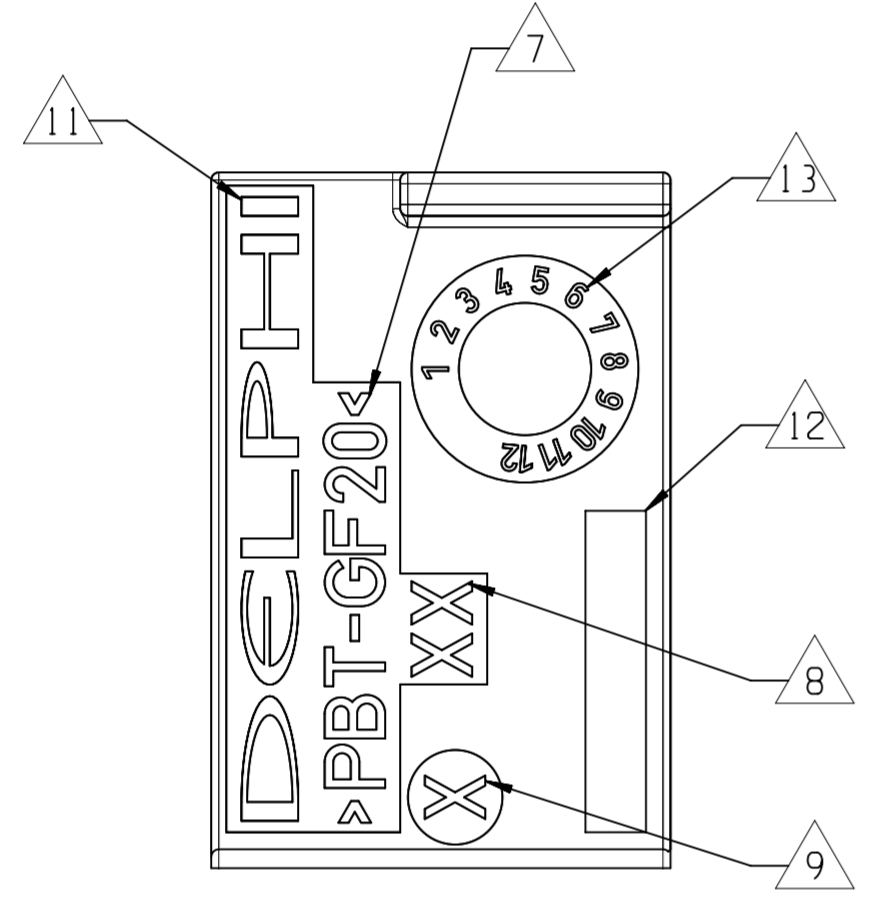


COVER 8 WAY	
APTIV P/N	CODING
13543538	CODING - A
13567784	CODING - B
2.5 ±0.1	1.25 ±0.1
13567785	CODING - C
3.8 ±0.1	2.5 ±0.1
13579226	CODING - D
1.75 ±0.1	1.3 ±0.1



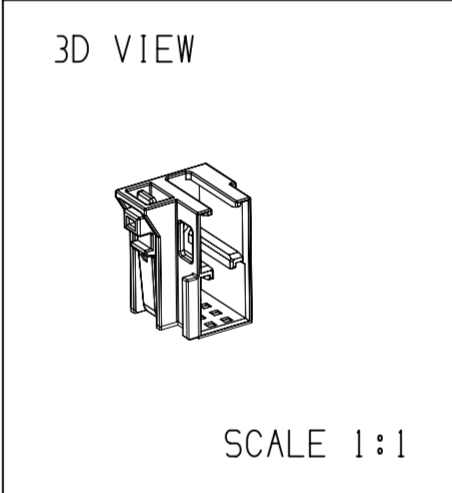
ASSOCIATED PARTS (FOR INFORMATION)	
DESCRIPTION	APTIV P/N
MATING PART	13590051
INSERT 8 WAY FOR MQS 0.63	15493343

DESCRIPTION	CODE	APTIV PART NUMBER	WEIGHT (kg)	MATERIAL	COLOR
	D	13579226	0.0011	PBT GF20	VIOLET
	C	13567785	0.0011	PBT GF20	BLUE
	B	13567784	0.0011	PBT GF20	NATURE
	A	13543538	0.0011	PBT GF20	BLACK

NOTE	SPECIFICATIONS
1	FEMALE CONNECTOR ACCORDING TO APTIV SPECIFICATION: CAQE TBD
2	FEMALE CONNECTOR ACCORDING TO: - TEMPERATURE CLASS TX - ENGINE VIBRATOR CLASS VX - SEALING CLASS EX
3	USER'S MANUAL: 13590051-CUS76-S01
4	DELIVERY CONNECTOR WEIGHT : SEE TABLE
5	NO WAFER HINGE OR WAFER HINGE BROKEN ALLOWED
6	VISUAL DEFECTS ON NO FUNCTIONAL AREAS ALLOWED
△	MATERIAL NAME
△	TOOL CAVITY NUMBER
△	INDEX REPLACEMENT INSERT
△	PART CAVITY NUMBER
△	SUPPLIER LOGO
△	REPLACEMENT INSERT BLANK
△	DATE INSERT

DIM TO CHECK	DIMENSIONAL RANGE (MM)	CHART	EL
() DIM FOR HELP	FROM > 0 TO > 20	> 30	> 70
□ THEORETIC DIM	> 20 TO > 30	> 70 TO > 100	> 100 TO > 150
	> 30 TO > 70	> 100 TO > 150	> 150 TO > 200
	> 70 TO > 100	> 150 TO > 200	> 200 TO > 250
	> 100 TO > 150	> 200 TO > 250	> 250 TO > 300
	> 150 TO > 200	> 250 TO > 300	> 300 TO > 400
	±0.15	±0.2	±0.3
	±0.2	±0.3	±0.4
	±0.3	±0.4	±0.5
	±0.4	±0.5	±0.6
	±0.5	±0.6	±0.8
	±0.6	±0.8	±1
	±0.8	±1	±1.2
	ANGULAR TOLERANCE	±2°	

DWG STATUS		ZONE		REVISION HISTORY		AUTH	DR	APVD 1	APVD 2
DATE	STG	REV	N/P	CHG					
24NO21	R	01			INITIAL RELEASE		P.BAL	M.LAG	M.LAG



DWG TYP	CUSTOMER PART DRAWING	DISTR CODE
WEIGHT (GR)	SEE CHART	D
VOLUME (CM ³)	---	
ROUTING		

UNLESS OTHERWISE SPECIFIED

GENERAL TOLERANCES ACCORDING TO: SEE CHART

GD&T ACCORDING TO: ISO 1101

DR	DATE
P.BALAJI	24NO21
LAGUETTE MAURICE	24NO21
LAGUETTE MAURICE	24NO21
APVD3	
APVD4	
APVD5	

SUBSTANCES OF CONCERN AND RECYCLED CONTENT PER APTIV 10949001

MATERIAL: SEE CHART

DRAWING NAME: COVER 8 WAY FOR MQS 0.63

DRAWING NUMBER: 13543539

SIZE	SCALE	FRAME NO	SHEET NO	STG	REV	N/P
A1	5:1	1 OF 1	1 OF 1	R	01	

• APTIV •

CONNECTION SYSTEMS
Chennai, India
COPYRIGHT 2021 APTIV. ALL RIGHTS RESERVED.

THIS DRAWING IS THE PROPERTY OF APTIV AND CONTAINS APTIV CONFIDENTIAL INFORMATION. THE REPRODUCTION, DISTRIBUTION AND UTILIZATION OF THIS DOCUMENT OR ITS RELATED CAD MATH DATA, AS WELL AS COMMUNICATION OF ANY CONTENT TO OTHERS, WITHOUT EXPRESS AUTHORIZATION, IS PROHIBITED.