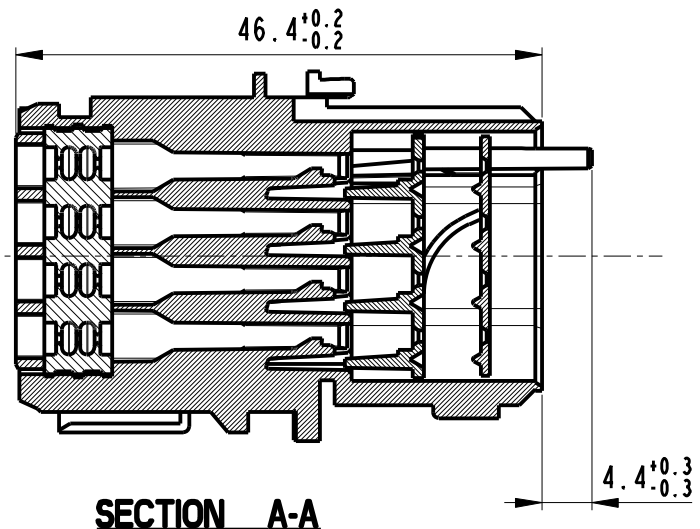
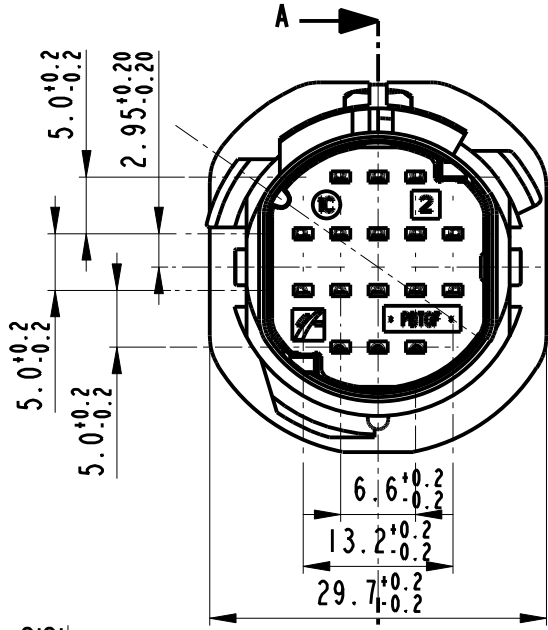
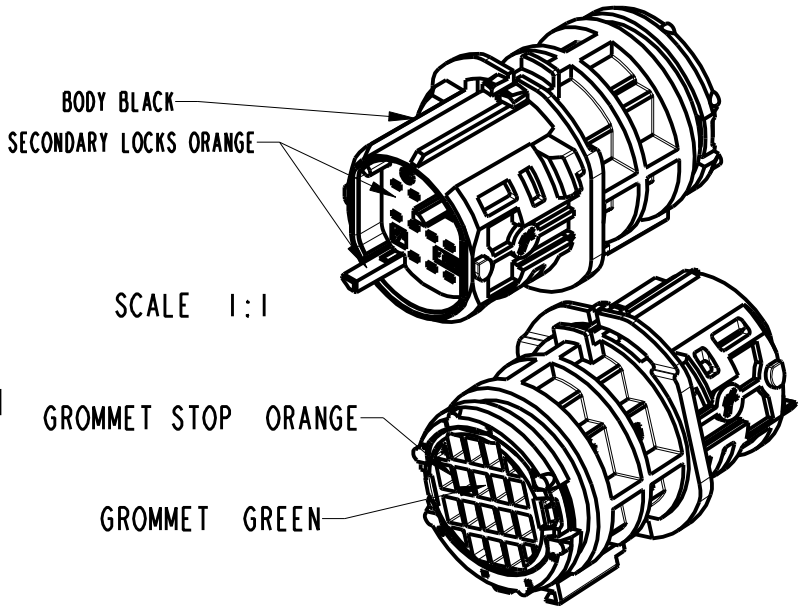
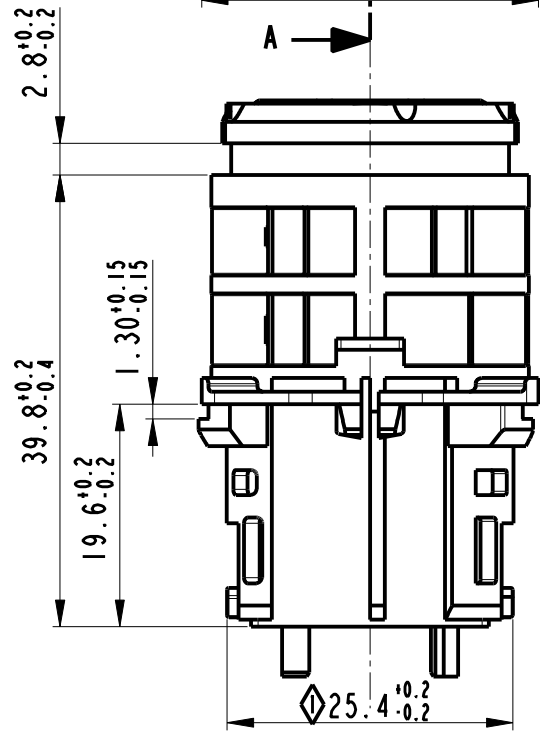


DELPHI P/N 33500530	MVL P/N SICMHP16BKS
--------------------------------------	--------------------------------------

DRAWING NUMBER NUMERO DISEGNO	FSA 309424	REVISION REVISIONE	A	SHEET FOGLIO	1/1	APPROVAL LEVEL LIV. DI APPROVAZIONE	-
DRAWING DISEGNO	C						



SECTION A-A
SCALE 3:2



SCALE 1:1

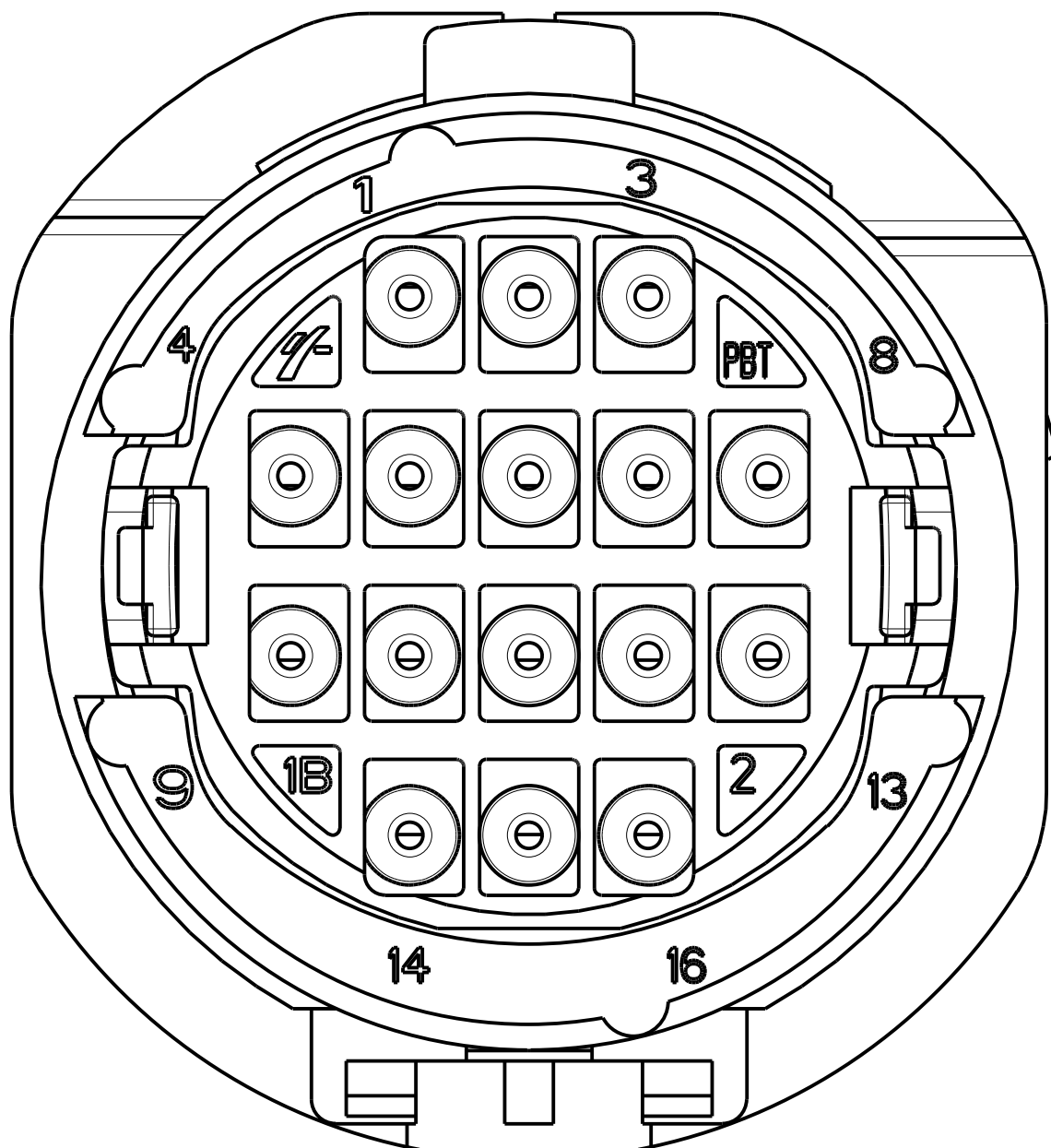
- This connector is designed for the following female contacts:

- 211 CL 2S 1120 1107381961 211 CL 2S 1160 1107309971
- 211 CL 2S 1120 1107381971 211 CL 2S 2160 1153688521

- For use and mating operation : see spec. IPS 204

◇ CAPABILITY

CR-16/5199		11-10-2016	A	-	UPDATED FRAME AND ADDED DPN	F.G.	G.I.
ECN 21-2001		14-09-2001	01	-	RELEASE FOR PRODUCTION	R.R	P.C.B.
ECN-NO. NUMERO -ECN	DATE DD / MM / YY DATA	REVISION REVISIONE	POSITION POSIZIONE	CHANGE DESCRIPTION DESCRIZIONE MODIFICA	DRAWN BY DISEGNATORE	CHK. BY CONTROLLATO	APPR. BY APPROVATO
PRODUCT SPEC. SPEC. DI PRODOTTO	PACKAGING SPEC. SPEC. DI IMBALLAGGIO	APPLICATION SPEC. SPEC. DI APPLICAZIONE	COPYRIGHT DELPHI CORPORATION AND/OR ITS AFFILIATES. ALL RIGHTS RESERVED. REVISED THIS DRAWING IS THE PROPERTY OF DELPHI CORPORATION. THE REPRODUCTION, DISTRIBUTION AND UTILIZATION OF THIS DOCUMENT OR ITS RELATED CAD MATH DATA, AS WELL AS COMMUNICATION OF ANY CONTENT TO OTHERS, WITHOUT EXPRESS AUTHORIZATION IS PROHIBITED.				
IPS 204	SPEC.	SPEC.	DELPHI CORPORATION TORINO, ITALY				
TOLERANCES TOLLERANZE	± 0.3mm / ±2°	MATERIAL : MATERIALE :	SURFACE FINISH FINITURA SUPERFICIALE		DELPHI DELPHI PACKARD ELECTRICAL/ELECTRONIC ARCHITECTURE TORINO, ITALY		
COUNTERPART Nr. CONTROPARTE Nr.		COLOUR : COLORE :			C ISO PROJECTION PROIEZIONE ISO		
DO NOT SCALE DRAWING DISEGNO FUORI SCALA		TOOL NO.	LOC. CODE NAZIONALITA' IT		DIMENSION IN MILLIMETERS DIMENSIONI IN MILLIMETRI		CAD SYSTEM pro / eng.
	DATE DATA	NAME NOME	TITLE DESCRIZIONE		DRAWING NUMBER NUMERO DISEGNO		SHEET FOGLIO
DRAWN BY DISEGNATORE	02-07-01	R.RAMPONE	16 WAYS SECTIONING CONNECTOR		FSA 309424		1
CHECKED BY CONTROLLATO	02-07-01	P.C.BIGOTTO	ASSY MALE HOLDER				1
APPROVED BY APPROVATO			SEALED VERSION				1
			ESR NO. NUMERO ESR	CAT. NO. NUMERO CAT.	FILE NAME NOME FILE		SCALE SCALA
			ITA2072A	SEE TABLE	FSA309424		1:1



CR-16/5199	11-10-2016	A	-	UPDATED FRAME AND ADDED DPN	G.F.	G.I.	
ECN 21-2001	14-09-2001	01	-	RELEASED FOR PRODUCTION	R.R.	P.C.B.	
ECN-NO. NUMERO -ECN	DATE DD/ MM / YY DATA	REVISION REVISIONE	POSITION POSIZIONE	CHANGE DESCRIPTION DESCRIZIONE MODIFICA	DRAWN BY DISEGNATORE	CHK. BY CONTROLLATO	APPR. BY APPROVATO
PRODUCT SPEC. SPEC. DI PRODOTTO	PACKAGING SPEC. SPEC. DI IMBALLAGGIO	APPLICATION SPEC. SPEC. DI APPLICAZIONE	COPYRIGHT DELPHI CORPORATION AND/OR ITS AFFILIATES. ALL RIGHTS RESERVED. REVISED THIS DRAWING IS THE PROPERTY OF DELPHI CORPORATION. THE REPRODUCTION, DISTRIBUTION AND UTILIZATION OF THIS DOCUMENT OR ITS RELATED CAD MATH DOCUMENTO O DELLE SUE RELATIVE MATEMATICHE CAD, NONCHE LA COMUNICAZIONE DI QUALSIASI CONTENUTO AD ALTRI, SENZA ESPLICITA AUTORIZZAZIONE, E PROIBITA EXPRESS AUTHORIZATION IS PROHIBITED.				
IPS204	SPEC.	SPEC.					
TOLERANCES TOLLERANZE	$\pm 0.3mm / \pm 2^\circ$	MATERIAL : MATERIALE :	SURFACE FINISH FINITURA SUPERFICIALE		DELPHI DELPHI PACKARD ELECTRICAL/ELECTRONIC ARCHITECTURE TORINO, ITALY		
COUNTERPART Nr. CONTROPARTE Nr.		COLOUR : COLORE :			CAD SYSTEM pro / eng.		
DO NOT SCALE DRAWING DISEGNO FUORI SCALA		TOOL NO.	LOC. CODE NAZIONALITA' IT		DIMENSION IN MILLIMETERS DIMENSIONI IN MILLIMETRI		
	DATE DATA	NAME NOME	TITLE DESCRIZIONE		DRAWING NUMBER NUMERO DISEGNO		
DRAWN BY DISEGNATORE	02-07-01	R.RAMPONE	16 WAYS SECTIONING CONNECTOR		FSA 309424		
CHECKED BY CONTROLLATO	02-07-01	P.C.BIGOTTO	ASSY MALE HOLDER		1		
APPROVED BY APPROVATO			SEALED VERSION		of 1 di 1		
	ESR NO. NUMERO ESR	CAT. NO. NUMERO CAT.	ITA2072A		FILE NAME NOME FILE		
			SEE TABLE SHEET 1		FSA309424		
					SCALE SCALA 1:1		