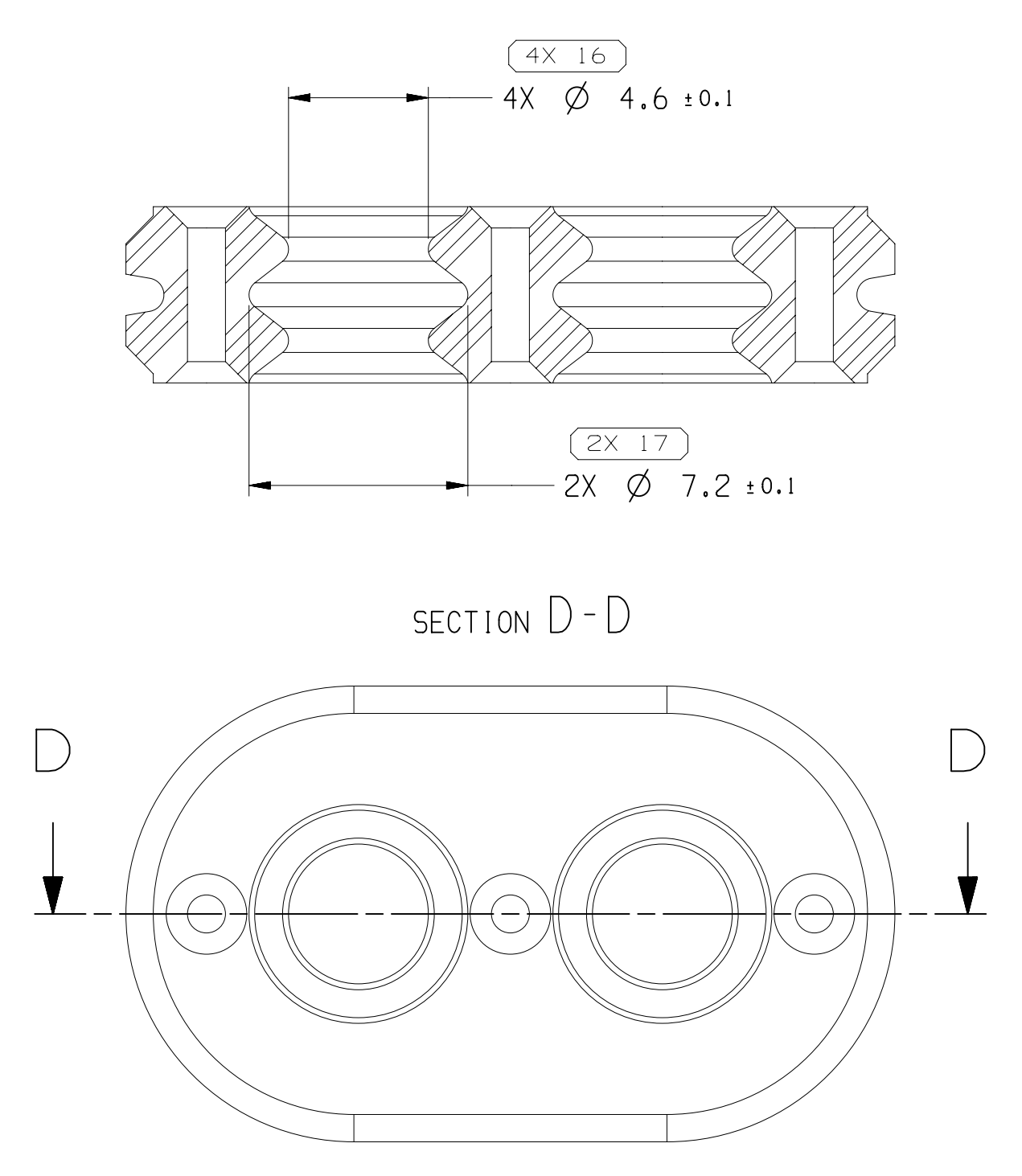
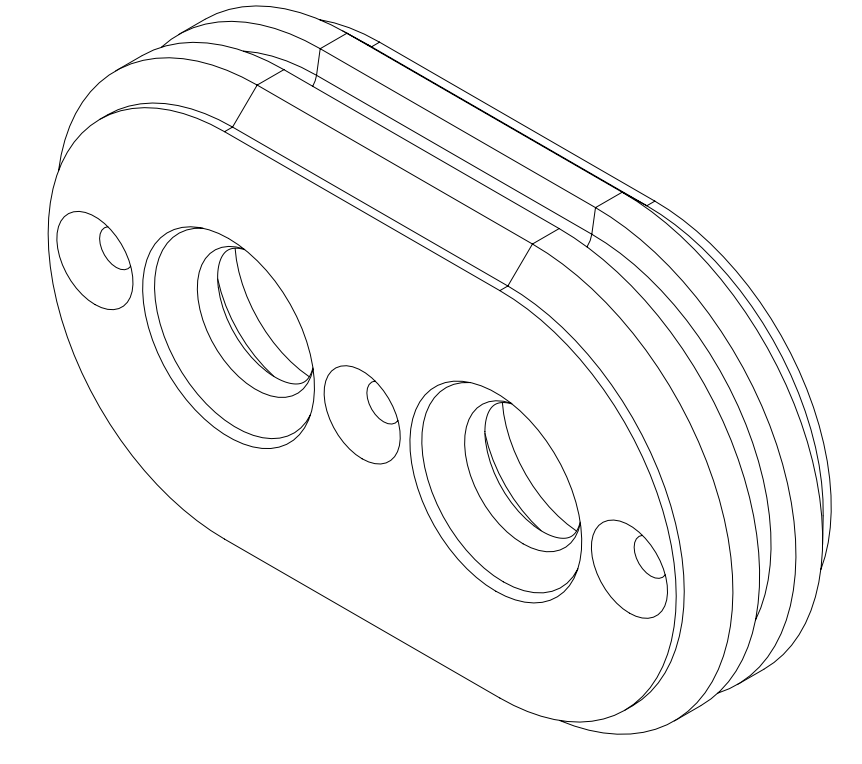
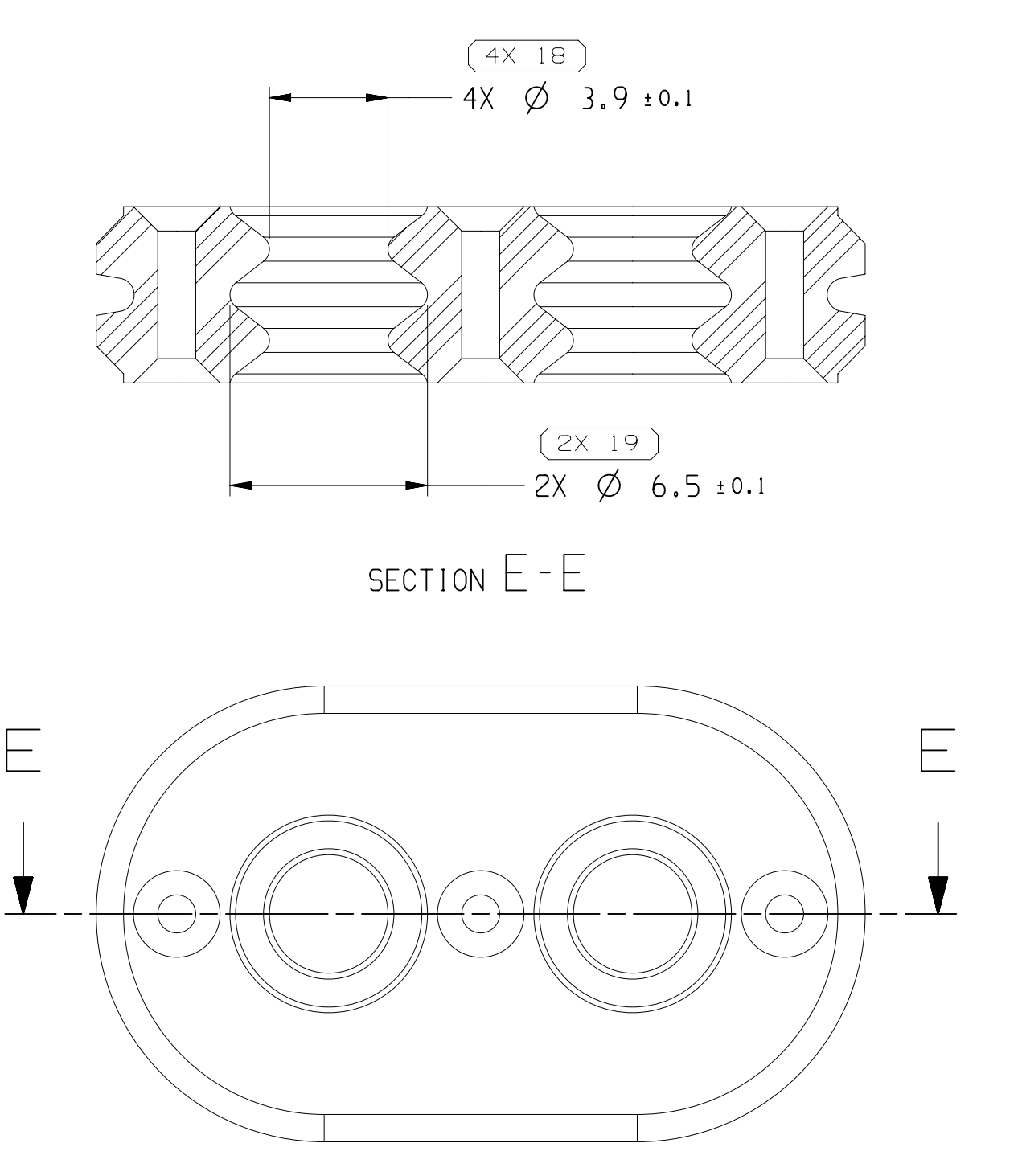


SYMBOL DEFINITION		TOTAL NO OF INSPECTIONS REQUIRED	MISSING SYMBOLS
A DIMENSION WITHOUT AN INSPECTION REPORT SYMBOL DOES NOT REQUIRE INSPECTION. IT MAY BE CONTROLLED ON THE INDIVIDUAL COMPONENT DRAWING.		66	10
		LAST NO. USED	25

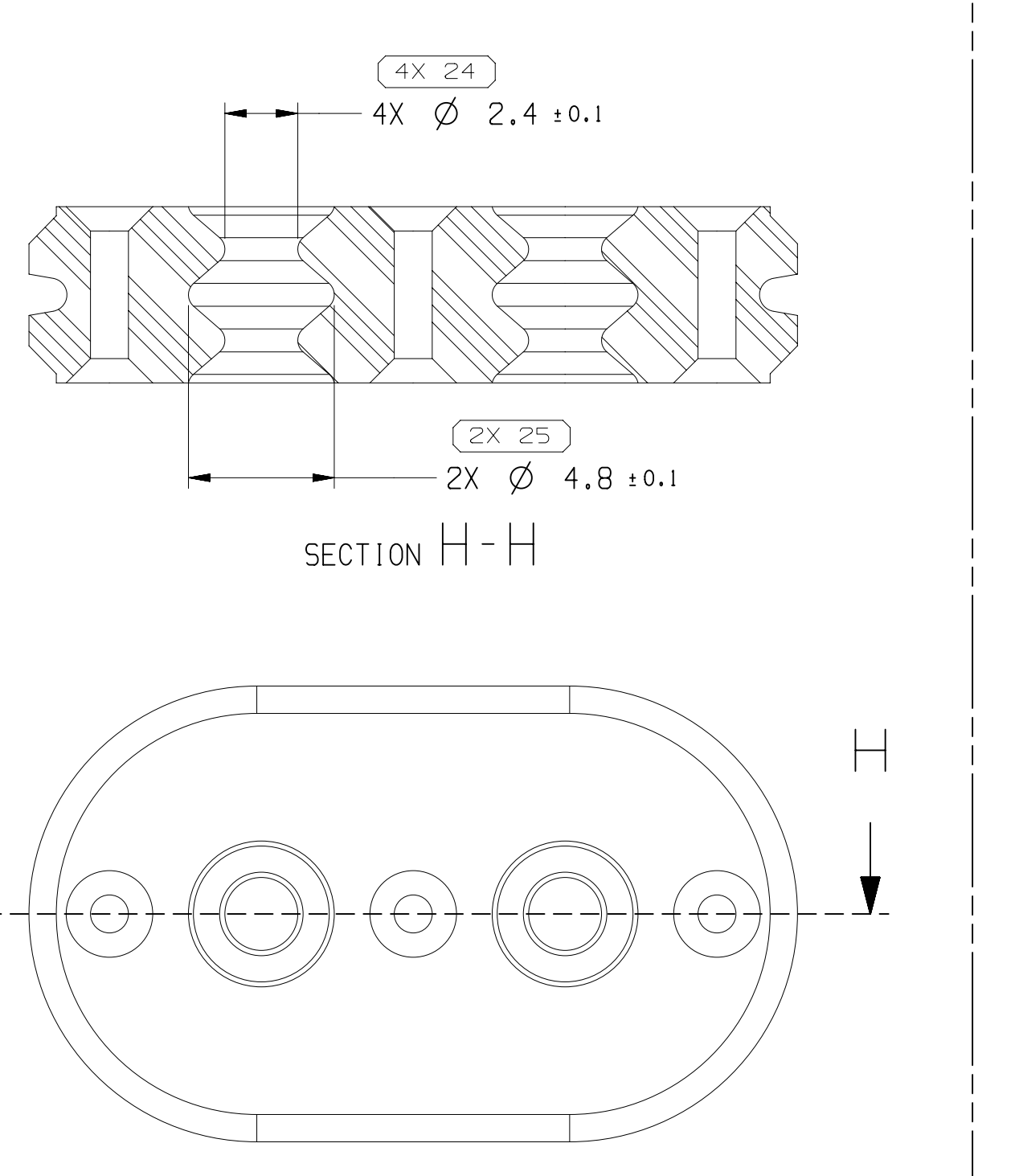
DWG STATUS				REVISION HISTORY				AUTH		DR		APVD	
DATE	STG	REV	N/P	CHG	ZONE								
02JN10	R	01	-	-		ALL PARTS-CREATED PART DRAWING		410951	LLJ	LLJ	LLJ	LLJ	NL
22JL10	R	02	-	-		UPDATED PDM ATTRIBUTES		411376	LLJ	LLJ	LLJ	LLJ	NL
23MY11	R	03	-	-		ADDED TYPES 104-106 & DIMS [6-21.		414306	LLJ	LLJ	LLJ	LLJ	NL
25JN12	R	04	-	-		ALL PARTS-ADDED APPLICABLE SECONDARY LOCK TO CHART		418535	LLJ	LLJ	LLJ	LLJ	NL
05DE12	R	05	-	-		15513451, 15513452, 15513453 & 15513454 - RELEASED AS INACTIVE.		420314	JOR	JRV	JOR	JOR	
19MR13	R	06	-	-		13887943, 13887973, 13887974 & 15513454 - JACKETED CABLE TYPE WAS "SAE"		421779	JOR	AAS	JOR	JOR	
02AU13	R	07	-	-		15513451-54 - UPDATED PART AVAILABILITY		423447	JOR	AAS	JOR	JOR	
08JL15	R	08	-	-		13824774-76 & 13887973 - ADDED REPLACED BY COLUMN; 13824775-76 & 13887973 - OBSOLETE AND 13824774 - RESTRICTED		427663	JVR	JVM	JVM	JVM	YVH
20JL15	R	09	-	-		13887943, 13887974 & 15513451-54 - ADDED MUST BE MEASURED NOTE		430019	ABH	JVM	JVM	JVM	YVH
11DE18	R	10	-	-		ALL ACTIVE PARTS - REMOVED ISO/SAE DESIGNATION FROM "CABLE SIZE" CHART COLUMN		441757	JLL	JAA	JAA	JAA	TAV
03AU20	R	11	-	-		15513451 - CABLE OD RANGE 6.1-5.4 WAS 5.66-5.4		552136	CGD	CGD	CGD	CGD	MWC
19MY22	R	12	-	-		15513452 - CABLE OD RANGE 5.4-4.73 WAS 4.93-4.73; 15513453 - CABLE OD RANGE 4.8-4.17 WAS 4.37-4.17; ALL ACTIVE PARTS - REMOVE SHIELDED, JACKETED CABLE SIZE & APPLICABLE SECONDARY LOCK OR EQUIVALENT COLUMN		557459	ESG	JAA	JAA	JAA	TAG
09MR23	R	13	-	-		35759277 - RELEASED		559826	JGO	GLB	GLB	GLB	LAA
28MR25	R	14	-	-		35941739 - RELEASED		566450	AGC	AGC	AGC	AGC	LAR
06MY25	R	15	-	-		15513452 - CABLE OD RANGE 5.1 - 4.5 WAS 5.4 - 4.73		568367	MLR	JAA	JAA	JAA	DCH



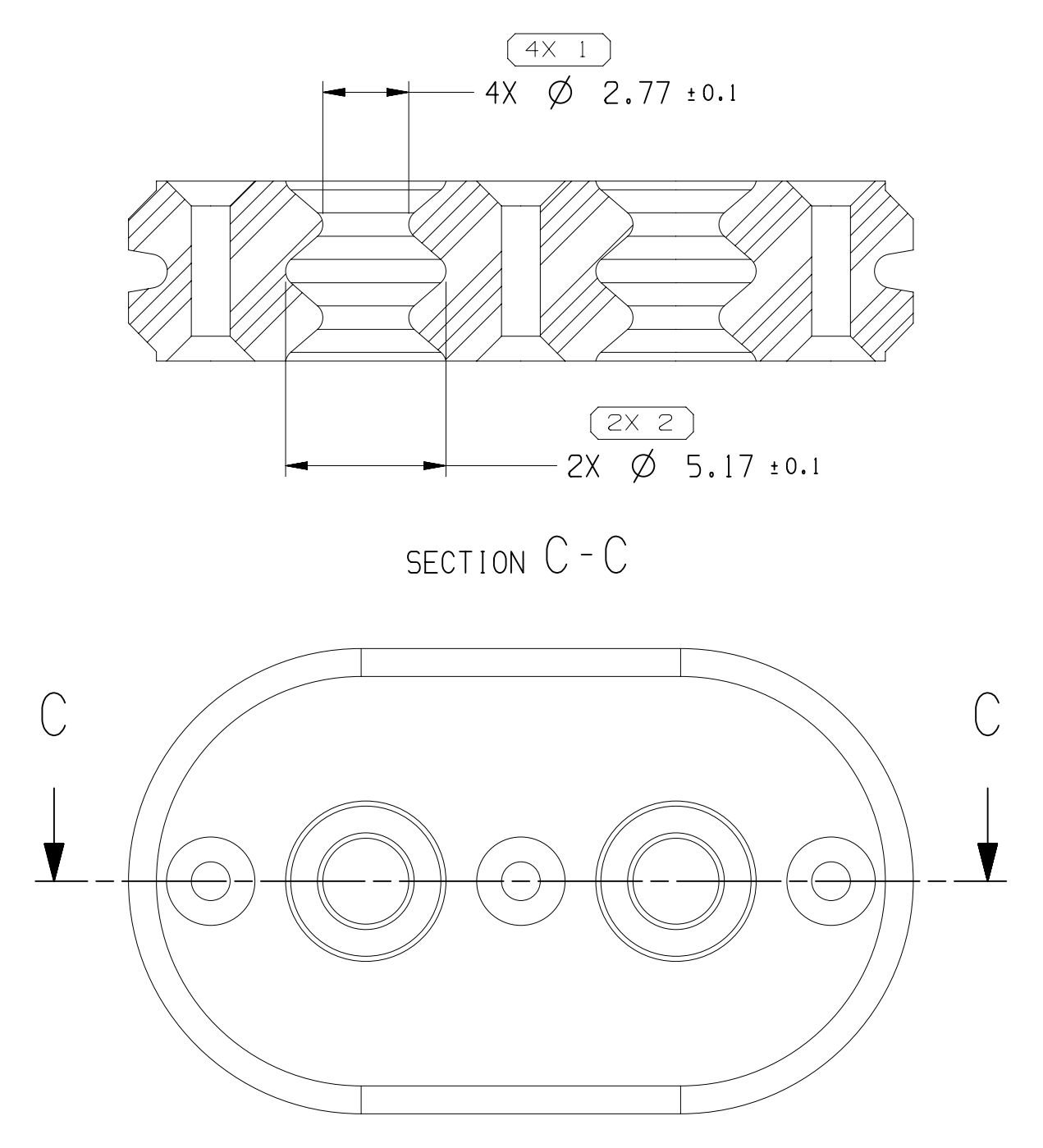
TYPE 104  
SAME AS TYPE 101  
EXCEPT AS SHOWN



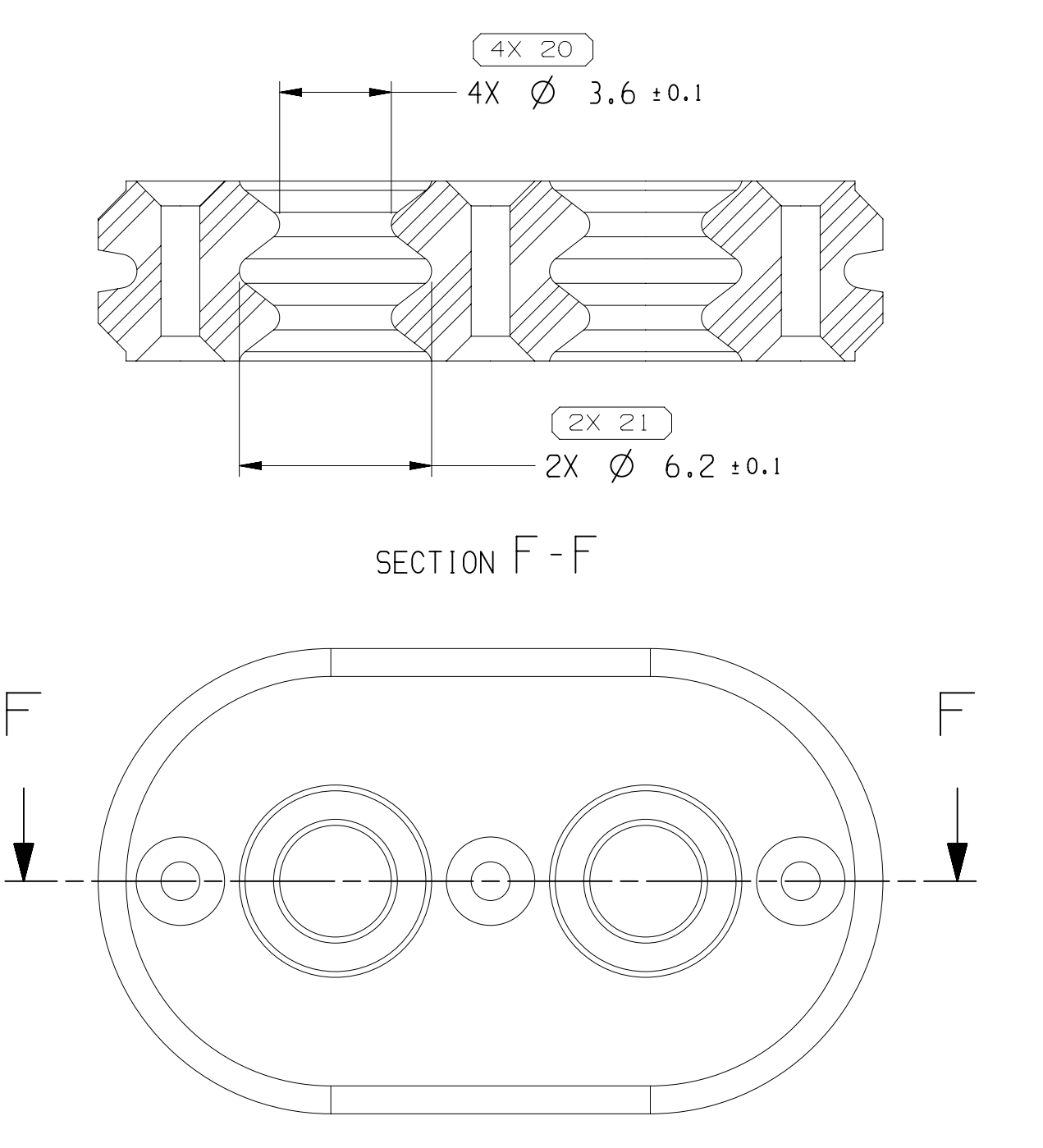
TYPE 105  
SAME AS TYPE 101  
EXCEPT AS SHOWN



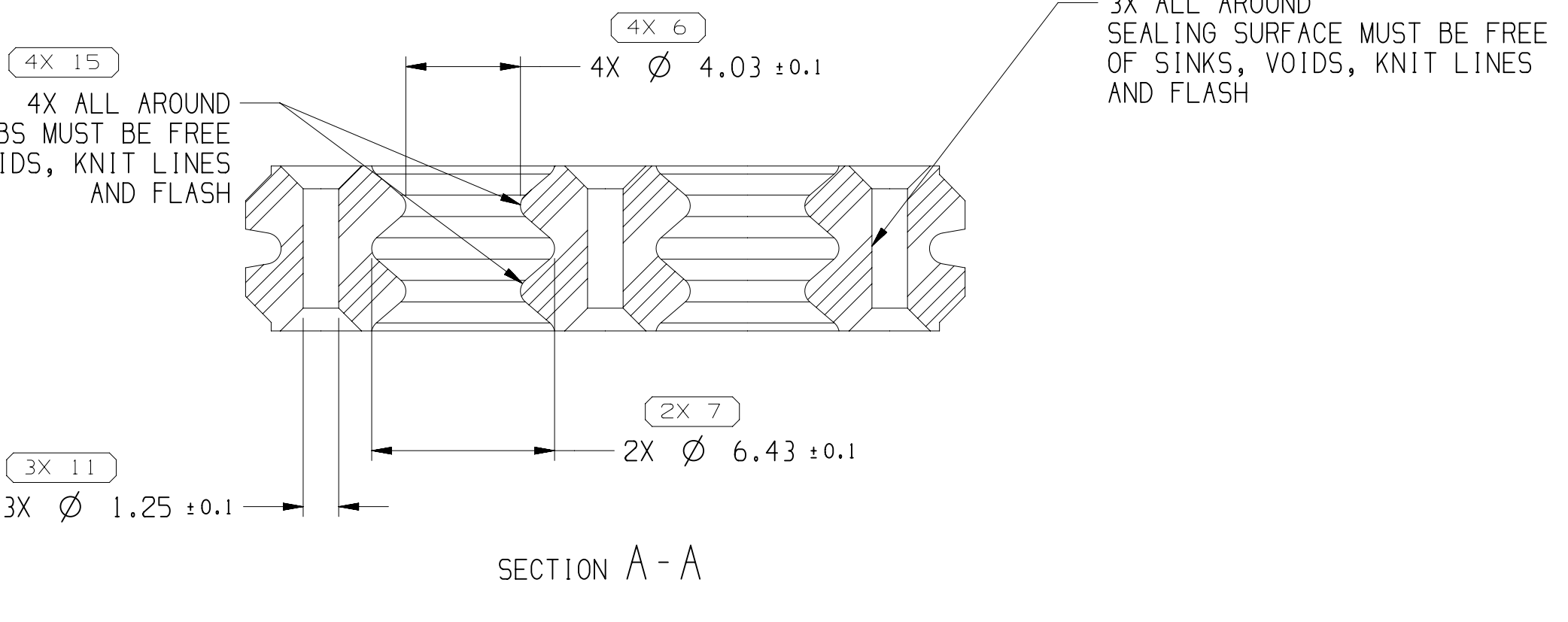
TYPE 108  
SAME AS TYPE 101  
EXCEPT AS SHOWN



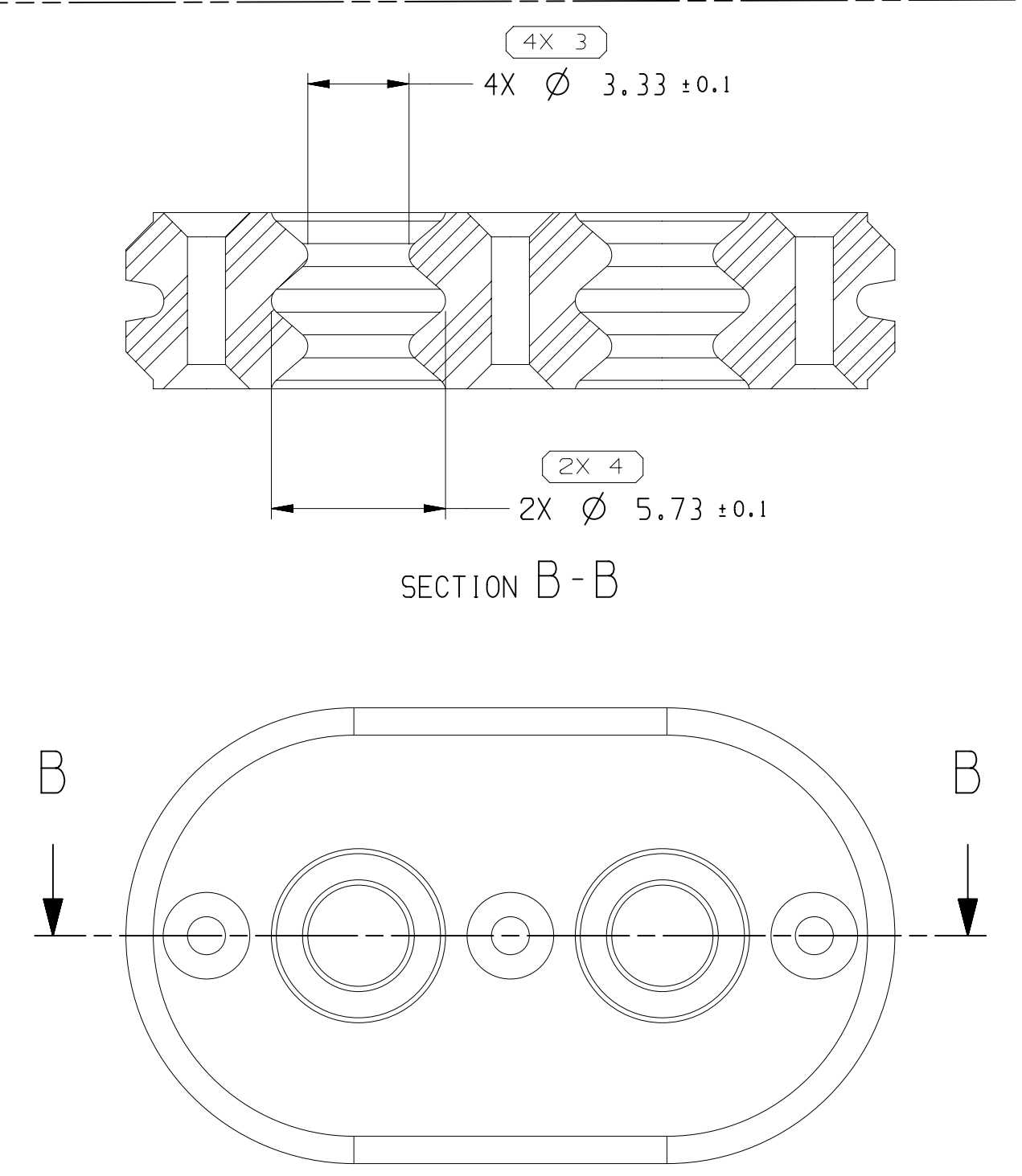
TYPE 103  
SAME AS TYPE 101  
EXCEPT AS SHOWN



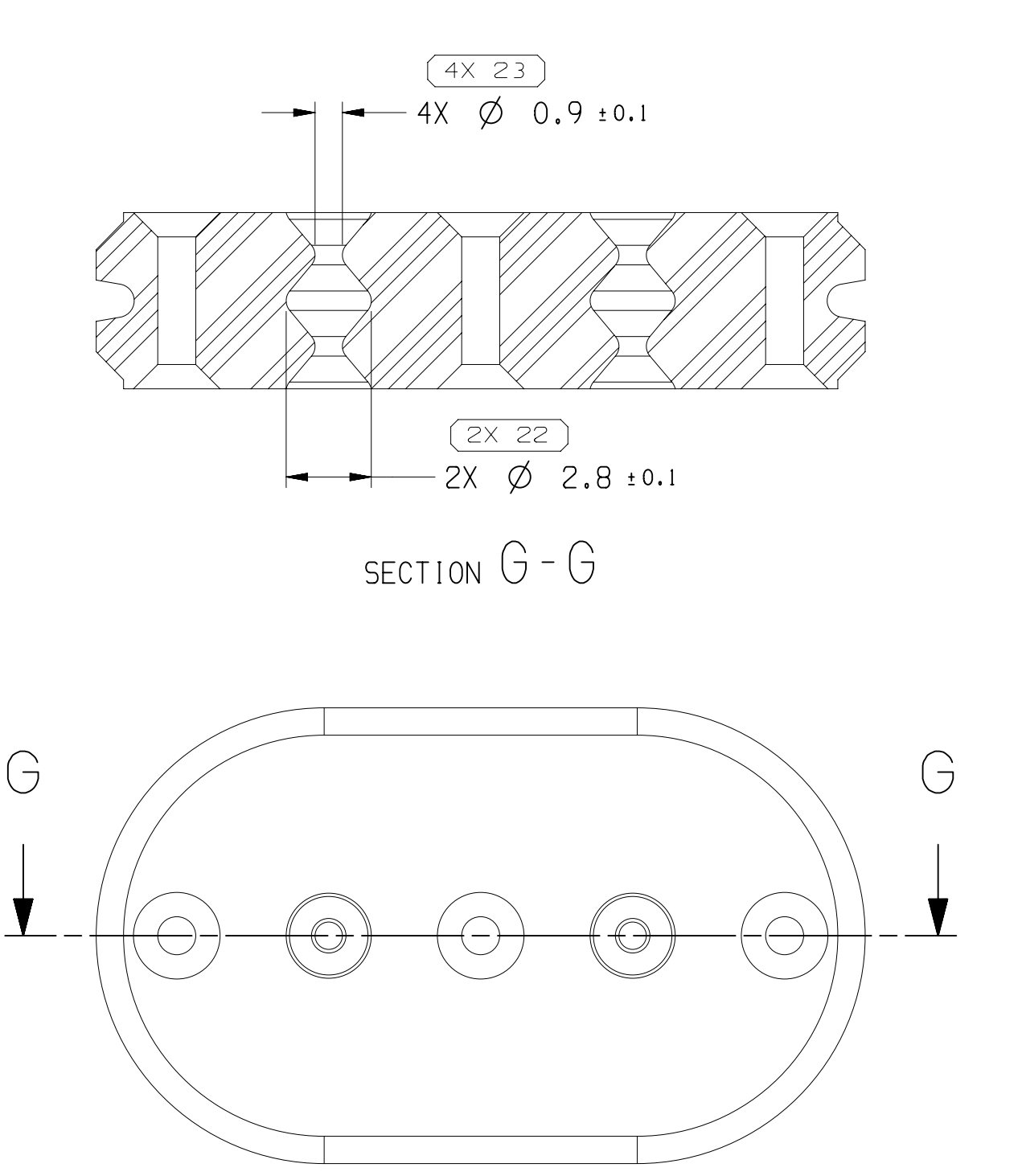
TYPE 106  
SAME AS TYPE 101  
EXCEPT AS SHOWN



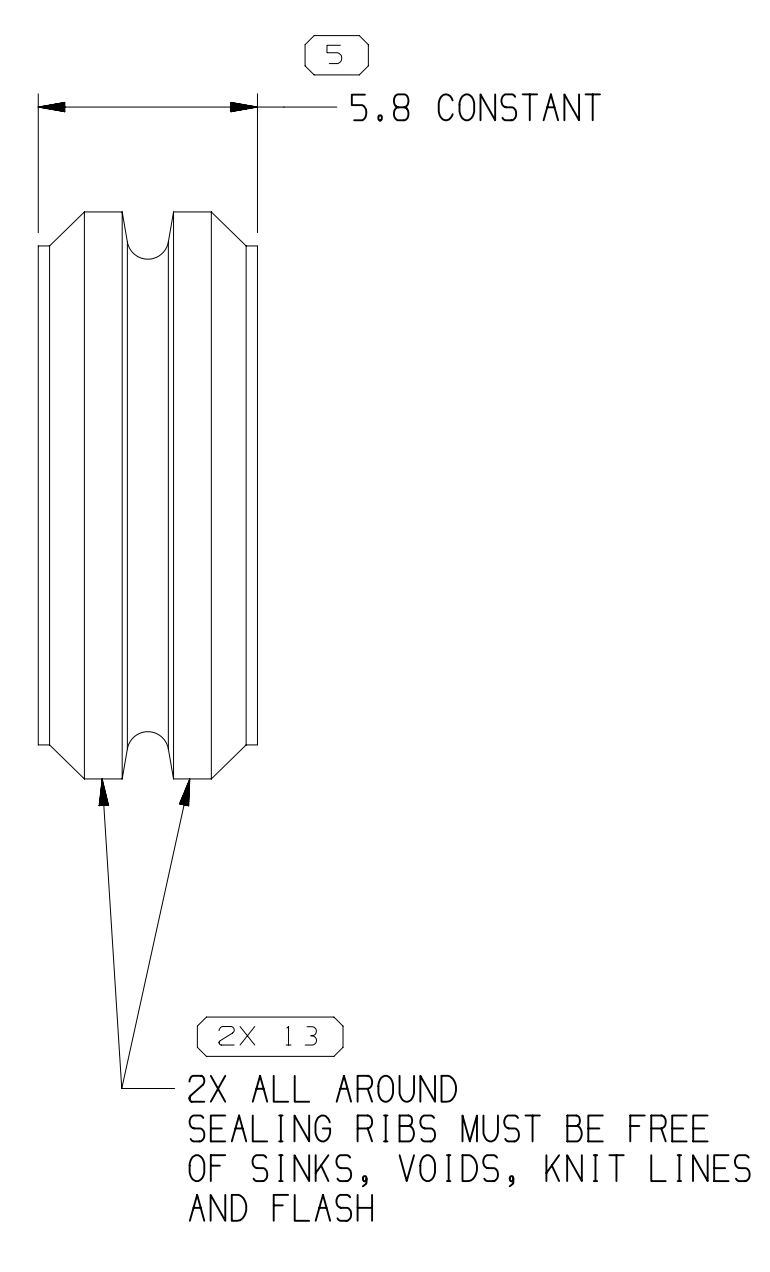
TYPE 101



TYPE 102  
SAME AS TYPE 101  
EXCEPT AS SHOWN



TYPE 107  
SAME AS TYPE 101  
EXCEPT AS SHOWN



- NOTES
- UNLESS OTHERWISE SPECIFIED AND/OR INDICATED: DIMENSIONS ARE TO FACE OF VIEW SHOWN AND AUTOMATICALLY ROUNDED BY COMPUTER FOR INSPECTION (SEE MATH MODEL FOR PRECISE DIMENSIONS). FOR ALL OTHER DIMENSIONS NOT SHOWN BUT REQUIRED FOR TOOL BUILD, SEE MATH MODEL FOR PRECISE TOOL PATH DATA.
  - PARTS SHOWN ON THIS DRAWING ACCEPT ASSEMBLIES SHOWN ON TAXI 13830164.
  - WHEN INSTALLING COMPONENT ON WIRE, DOW 550 PROCESSING AGENT MAY BE APPLIED TO THE OD OF THE WIRE TO REDUCE SEAL TO WIRE SLIDING FORCES.
  - SILICONE SEALING SURFACES MUST BE FREE OF DEFECTS, PARTING LINES, MOLD MISMATCH AND KNIT LINES, ETC.
  - THIS PRODUCT IS NOT CATEGORIZED AS AN APPEARANCE ITEM, MINOR IMPERFECTIONS INCLUDING, BUT NOT LIMITED TO, FLOW MARKS, COLOR BLEMSHES, GATE VESTIGES, AND SOFT FLASH THAT DO NOT AFFECT THE FIT, FORM, OR FUNCTION OF THE PART ARE PERMISSIBLE PER DPNP-4.7-CS-01.
  - PART(S) RESTRICTED FOR USE IN YAZAKI NORTH AMERICA; TESLA MOTORS; MULTIPLE; W242. REFER TO CHART FOR SPECIFIC RESTRICTED PART NUMBERS.

PART NO	REV	N/P	RESTRICTED USAGE	TYPE	MATERIAL SPECIFICATION	VOL (CM <sup>3</sup> )	CABLE OD RANGE	REPLACED BY
35941739	01	-	-	108	SILICONE RUBBER BLUE	1.591	3.9 - 4.3	-
35759272	01	-	-	107	SILICONE RUBBER GREEN	1.679	2.5 - 2.8	-
15513454	01	AE	-	105	SILICONE RUBBER OCHER	1.441	5.8 - 5.3	-
15513453	01	AD	-	103	SILICONE RUBBER WHITE	1.565	4.8 - 4.17	-
15513452	01	AE	-	102	SILICONE RUBBER GRAY	1.522	5.1 - 4.5	-
15513451	01	AE	-	101	SILICONE RUBBER RED	1.460	6.1 - 5.4	-
13887974	01	AE	-	106	SILICONE COMPOUND WHITE	1.469	5.5 - 5	-
13887973	01	AC	-	105	SILICONE COMPOUND DARK GRAY	1.441	5.8 - 5.3	15513454
13887943	01	AE	-	104	SILICONE COMPOUND LIGHT ORANGE	1.368	6.5 - 6	-
13824776	01	AC	-	103	SILICONE COMPOUND GREEN	1.565	4.37 - 4.17	15513453
13824775	01	AC	-	102	SILICONE COMPOUND YELLOW	1.522	4.93 - 4.73	15513452
13824774	01	AE	RESTRICTED - SEE NOTE 6	101	SILICONE COMPOUND LIGHT BLUE	1.460	5.66 - 5.4	15513451

PART DRAWING	
STYLE	D
VOLUME (CM <sup>3</sup> )	
DISTR CODE	
UNLESS OTHERWISE SPECIFIED	
THIS DOCUMENT IS IN ACCORDANCE WITH ASME Y14.5M-1994 AS MODIFIED BY THE 0M GLOBAL DIMENSIONING AND TOLERANCING ADDENDUM-2002. SEPARATE PATTERNING OF FEATURES MAY BE ORDERED SEPARATELY. RESOLUTION OF DATUM REFERENCES.	
ALL DIMENSIONS ARE IN MILLIMETERS	
THIRD ANGLE PROJECTION	DO NOT SCALE USE MATH DATA

**APTIV**  
CONNECTION SYSTEMS  
WARREN, OH  
COPYRIGHT 2010 APTIV. ALL RIGHTS RESERVED.

THIS DRAWING IS THE PROPERTY OF APTIV AND CONTAINS APTIV CONFIDENTIAL INFORMATION. THE REPRODUCTION, DISTRIBUTION AND UTILIZATION OF THIS DOCUMENT OR ITS RELATED CAD DATA, AS WELL AS COMMUNICATION OF ANY CONTENT TO OTHERS, WITHOUT EXPRESS AUTHORIZATION, IS PROHIBITED.

DRAWING NO: TAXI SEAL CBL/CONN  
DRAWING NUMBER: 13830145

SIZE: A0  
SCALE: 5:1  
FRAME NO: 1 OF 1  
SHEET NO: 1 OF 1  
STG REV N/P: R 15 -

DIMENSIONAL RANGE (MM)	TOLERANCE	CHART	ET
FROM > 0	> 20	> 30	> 70
TO 20	30	70	100
	100	150	200
	200	250	300
	300	400	
	10.15	±0.2	±0.3
	±0.4	±0.5	±0.6
	±1	±1.2	
	ANGULAR TOLERANCE	±2°	