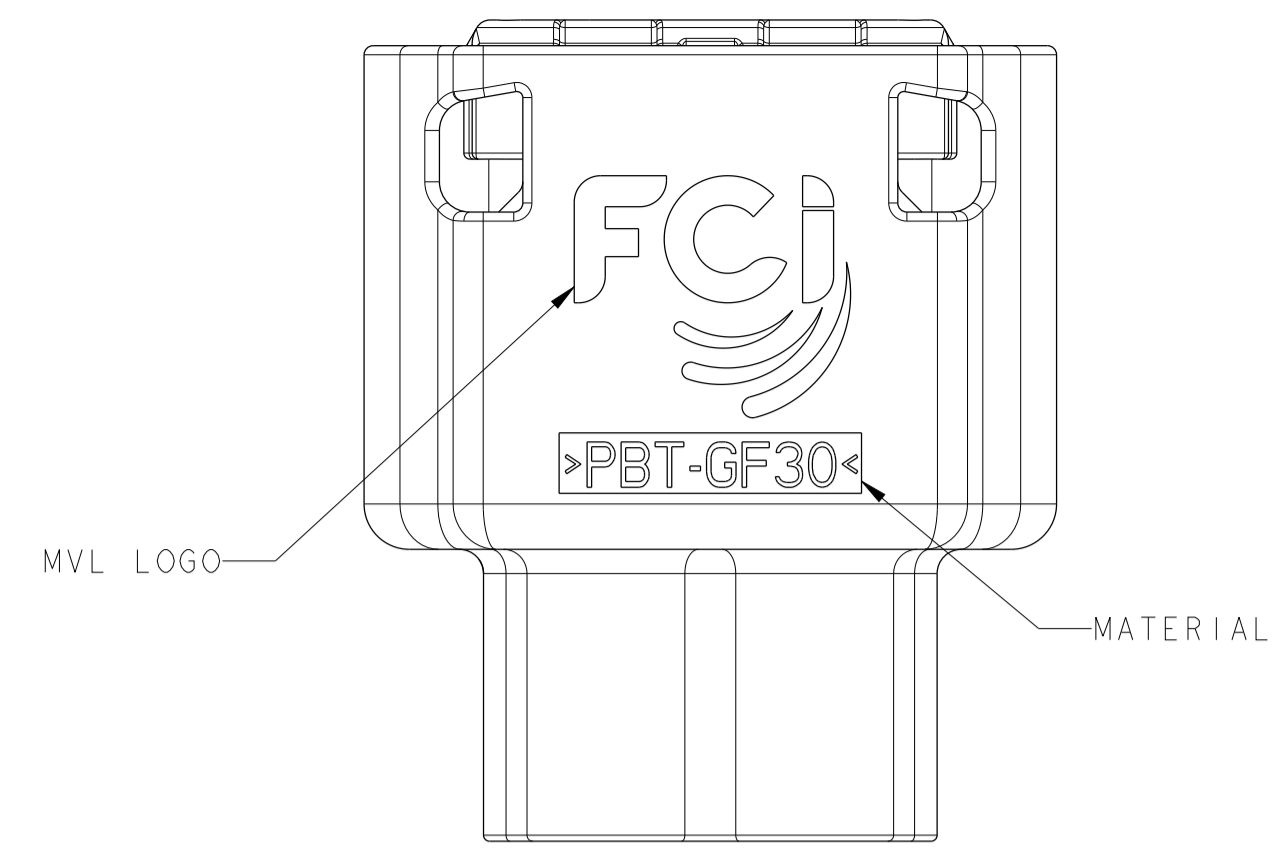
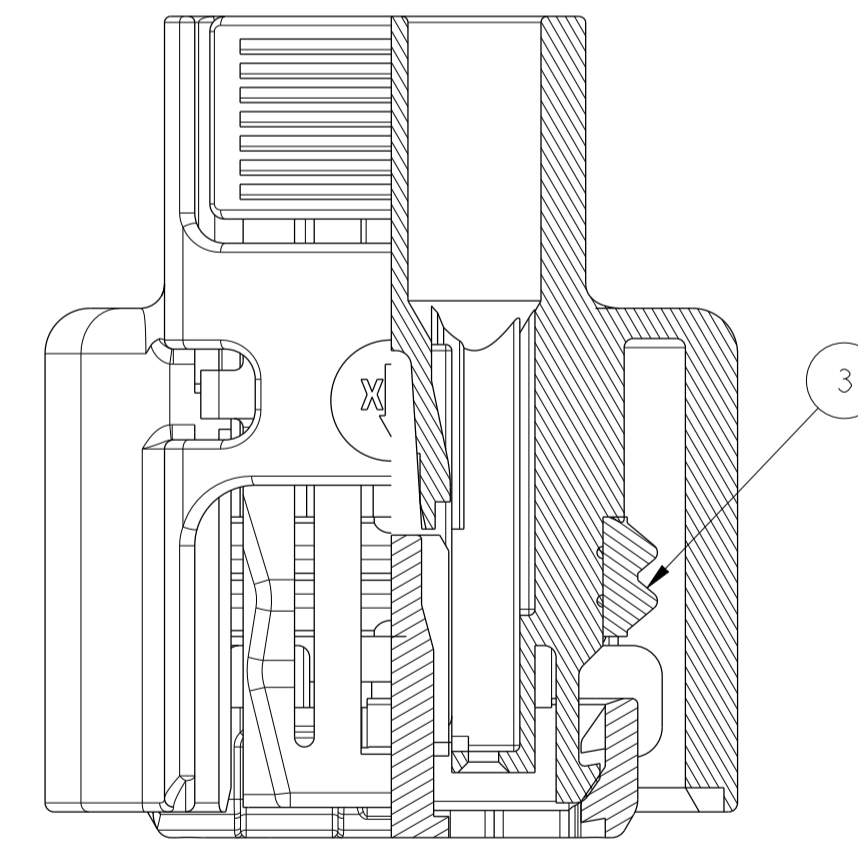
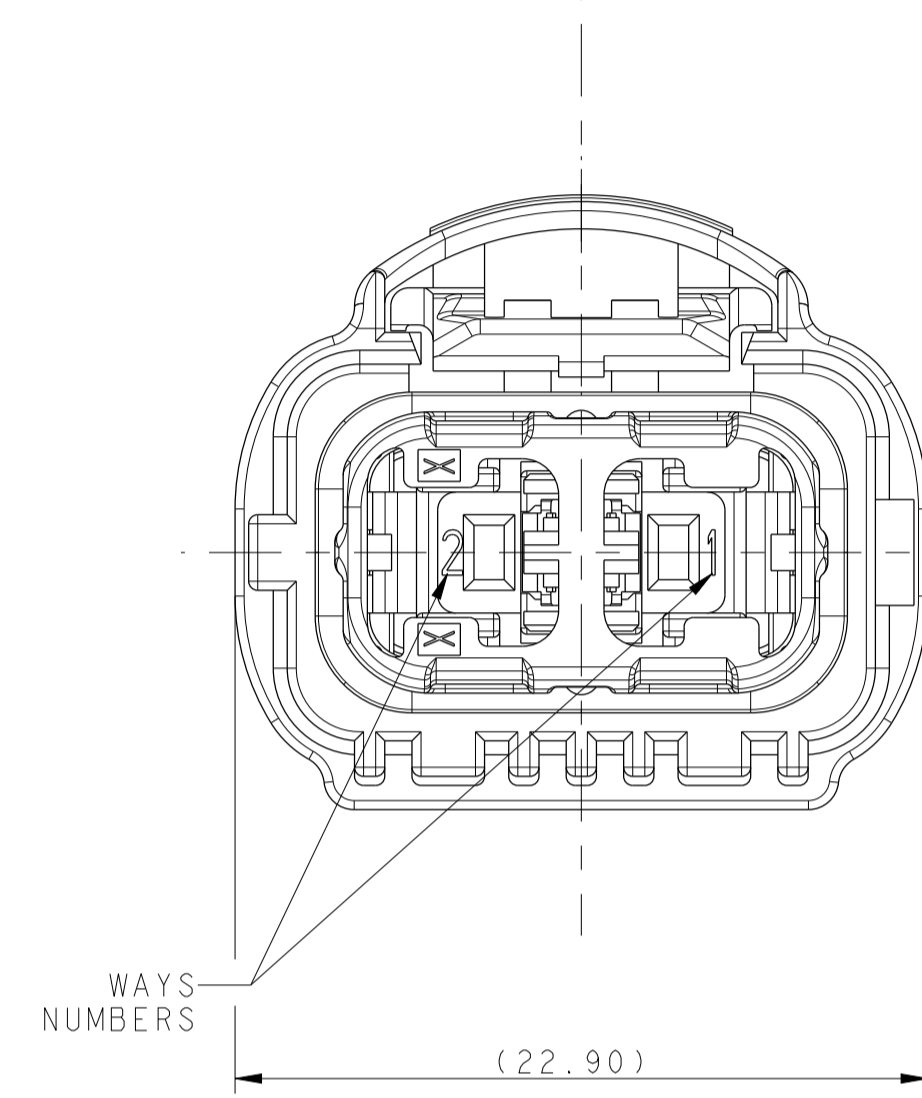
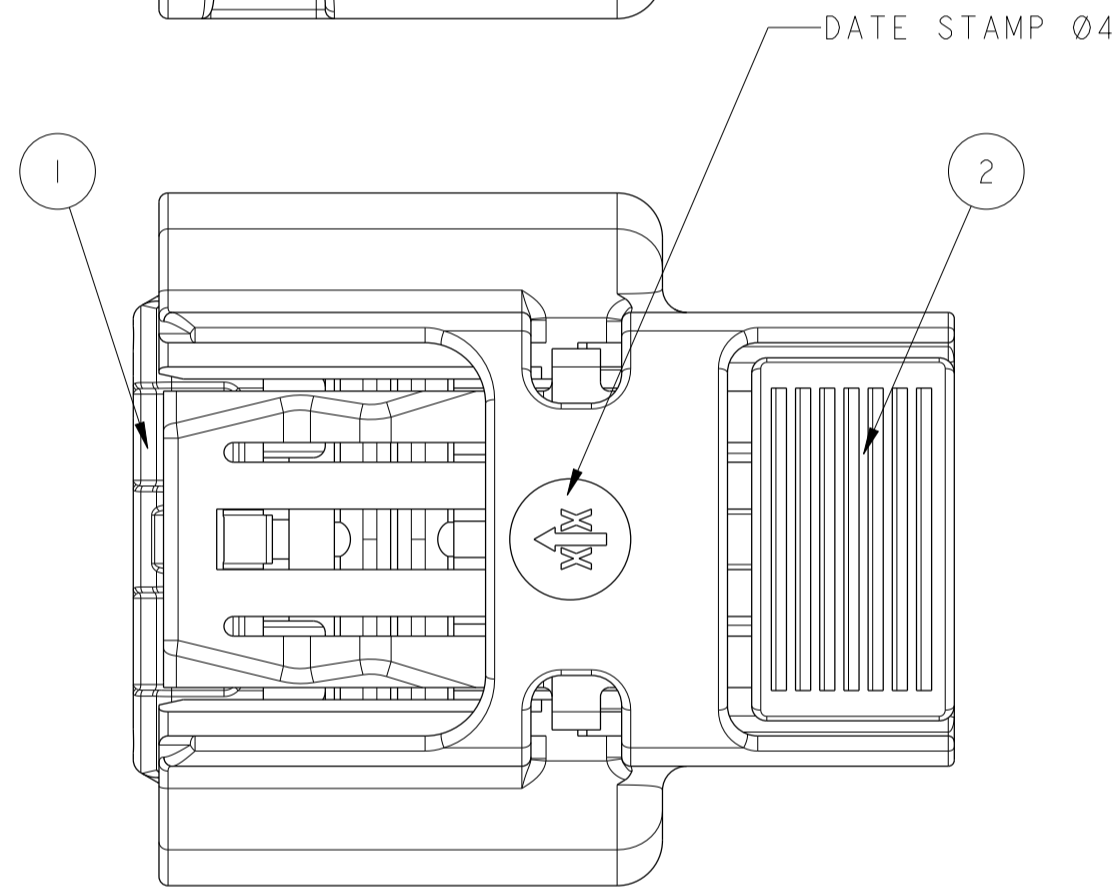
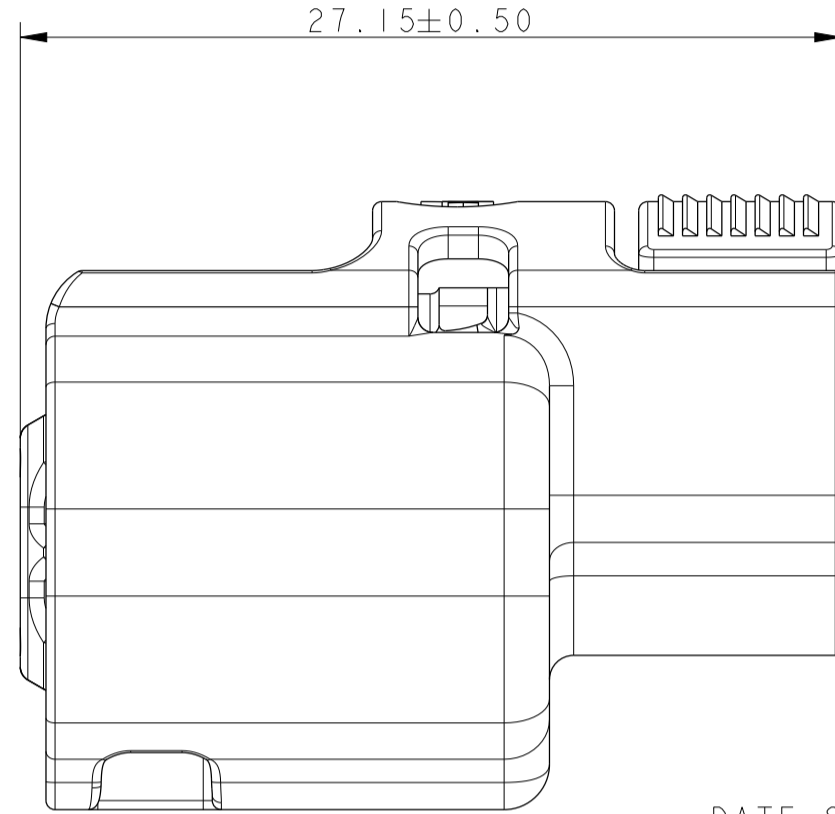
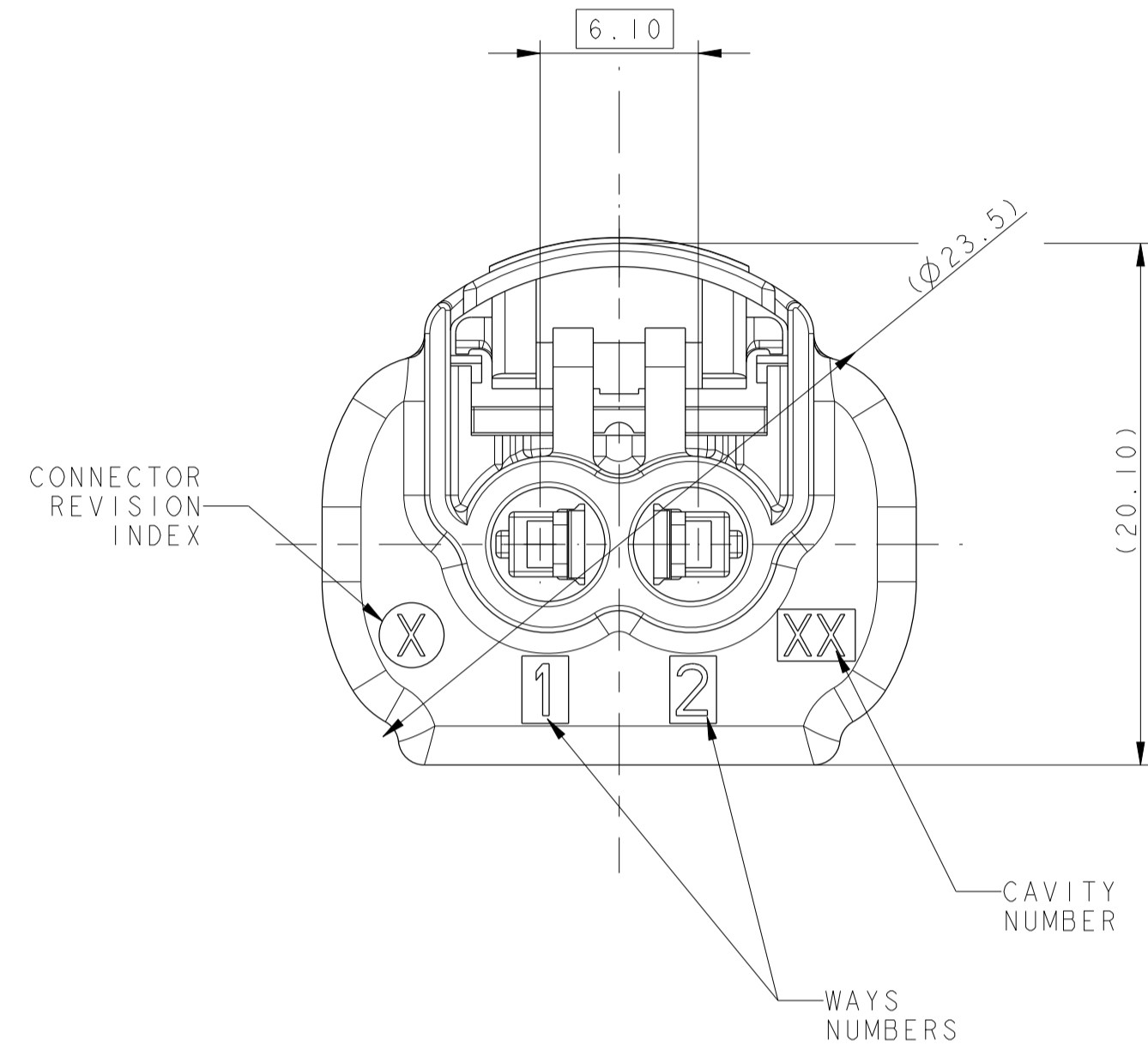


N°	NOTE	DESIGNATION
A	SPECIFICATION	FOLLOWING DELPHI PRODUCT SPECIFICATION FE PS 08 012
B	INTERFACE "CULOT PG20"	FOLLOWING IEC 34B/1225/FDIS project number: IEC 60061-1, A37, Ed. 3DB (page 1/4)
C	INTERFACE "DOUILLES & CONNECTEURS"	FOLLOWING IEC 24B/1226/FDIS project number: IEC 60061-2, A34, Ed. 3DB (page 3/4)
D	TERMINALS	GTS2-1.5 ref. F112300 gauge 0.5 to 0.85 ²
		GTS2-1.5 ref. F343100 gauge 1 to 1.3 ²
		GTS2-1.5 refs F443100 gauge 1.4 to 2 ²
E	SWS	211M0007 (YELLOW) WIRE 0.5 ² TO 0.75 ² / 211M0008 (GREEN) WIRE 1 ² TO 2 ²
F	USER'S MANUAL	FOLLOWING PUI20
G	CONNECTOR'S WEIGHT	5,70g



CODING PG20-7 REPRESENTED IN DELIVERY POSITION

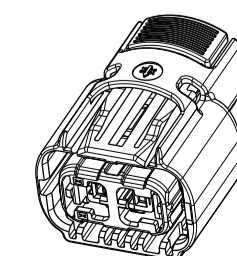


SECTION A-A

Rep	DESIGNATION	MATERIAL	COLOR
1	GRID TPA	PBT-GF15	YELLOW
2	2W FEMALE HOUSING	PBT-GF30	SEE TABLE
3	INTERFACIAL SEAL	LSR 50Sh 4% OIL IN THE MATERIAL AND VISIBLE ON ALL SURFACES	BLUE

PG20-1 33517211	PG20-2	PG20-3 13839198	PG20-4 33500413	PG20-5	PG20-6	IEC REFERENCE	
						REFERENCE	DELPHI
01	-	01	01	-	-	REFERENCE	MVL
F450200	-	F550200	F650200	-	-	REFERENCE	MVL
B	-	B	B	-	-	REVISION INDEX	MVL
BROWN	-	GREY	BLACK	-	-	HOUSING COLOR	
						VIEW	
X							
						VIEW	
X							
						VIEW	
X							
X							
X							
X							
X							
PG20-7 13860782	PG20-8	PG20-9	PG20-10	PG20-11	PG20-12	IEC REFERENCE	
01	-	-	-	-	-	REFERENCE	DELPHI
F750200	-	-	-	-	-	REFERENCE	MVL
B	-	-	-	-	-	REVISION INDEX	MVL
NATURAL	-	-	-	-	-	HOUSING COLOR	
						VIEW	
X							
X							
X							
X							
X							
X							

ECN-NO. NUMERO ECH	POSITION POSITION	CHANGE DESCRIPTION MODIFICATION
PROJECT SPEC. SPECIF. PRODUIT	PACKAGING SPEC. SPECIF. EMBALLAGE	APPLICATION SPEC. SPECIF. APPLICATION
<small>THIS DRAWING IS THE PROPERTY OF DELPHI CORPORATION AND CONTAINS DELPHI CONFIDENTIAL INFORMATION. THE REPRODUCTION, DISTRIBUTION AND RELEASE OF THIS DOCUMENT BY ITS RECIPIENT OR BY ANY OTHER PARTY WITHOUT EXPRESS AUTHORIZATION OF DELPHI CORPORATION IS PROHIBITED. LE PRESENT DOCUMENT EST LA PROPRIETE DE DELPHI CORPORATION ET CONTIEN DES INFORMATIONS CONFIDENTIELLES. LA REPRODUCTION, LA DISTRIBUTION ET LA DIFFUSION DE CE DOCUMENT PAR SON RECEVIAIRE OU PAR TOUT AUTRE PARTI SANS AUTORISATION PREALABLE DE DELPHI CORPORATION EST INTERDITE.</small>		
TOLERANCES TOLERANCES	±0.1	±0.2
CONTRIBUTOR N° CONTRIBUTEUR N°	COLOR COULEUR	SEE TABLE
DO NOT MEASURE DRAWING NE PAS MESURER LE DROIT	ISO PROJECTION PROJECTION ISO	ECO EXP: 664 FE
CREATED BY CREE PAR	DATE DATE	NAME NOM
MODIFIED BY MODIFIE PAR	DESIGNATION DESIGNATION	PROJECT PROJET
APPROVED BY APPROUVE PAR	PROJECT PROJET	PROJECT PROJET
FILE NAME NOM DE FICHER	PROJECT PROJET	PROJECT PROJET
2W 15 GTS2 FEMALE CONNECTOR PG20 SEALED FAMILY		
PCC0585680		
DELPHI DELPHI PACKARD ELECTRICAL/ELECTRONIC ARCHITECTURE EPFREMONT, FRANCE		
DRAWING NUMBER REF. PLAN PCC0585680		
SERIAL RELEASED REF. ARTICLE See Table		
SCALE Ech. 2:1		



SCALE 1:1