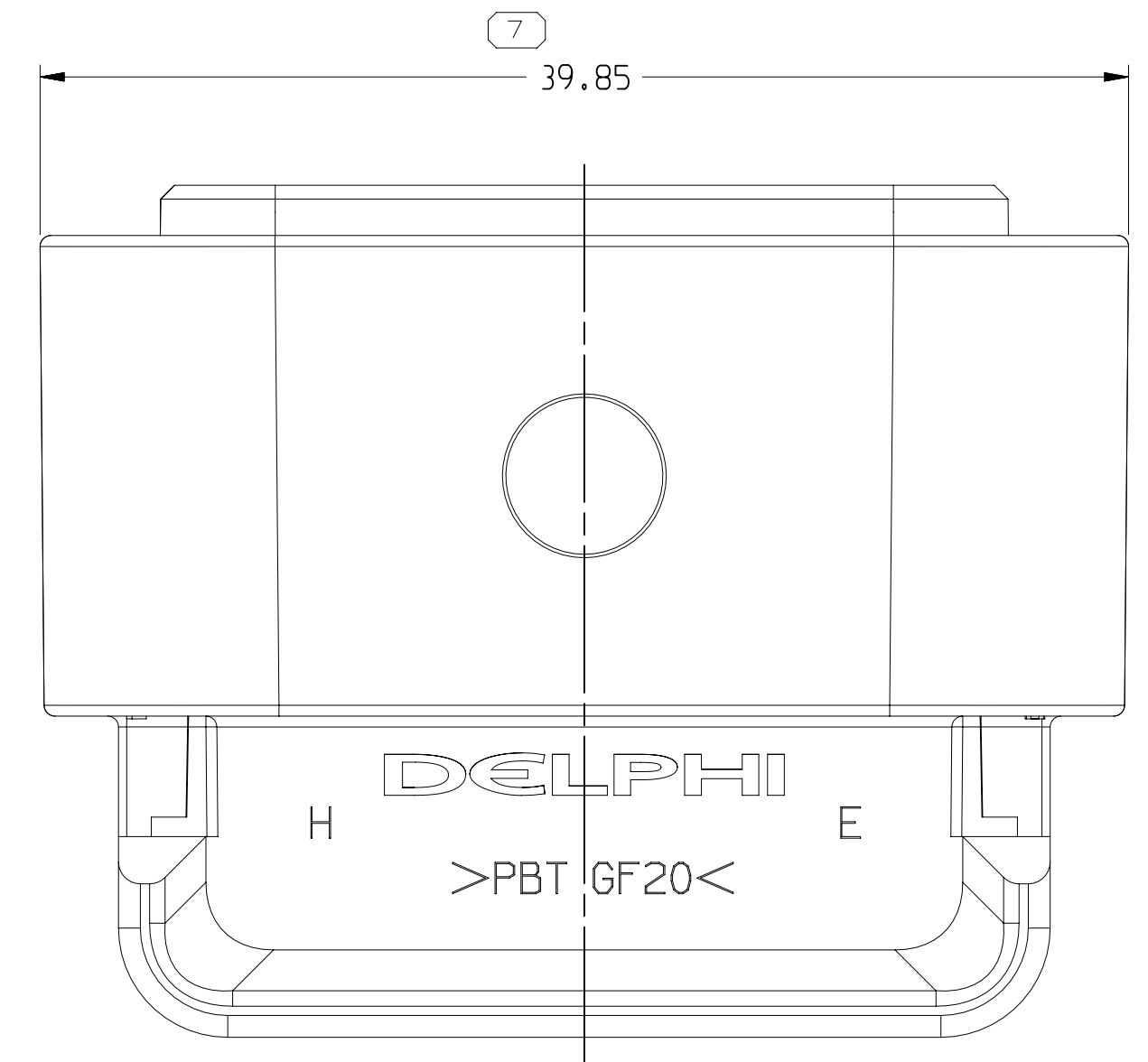
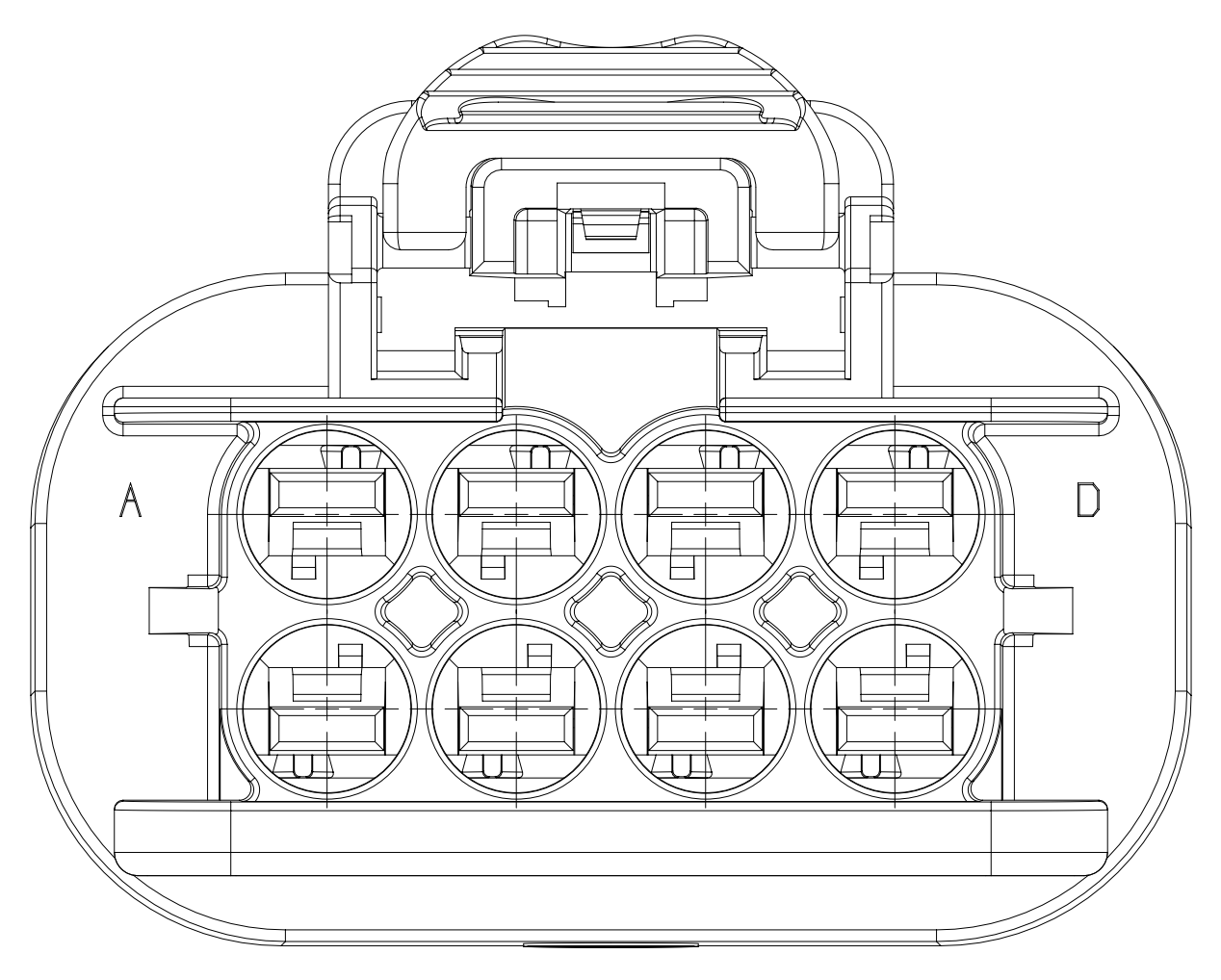
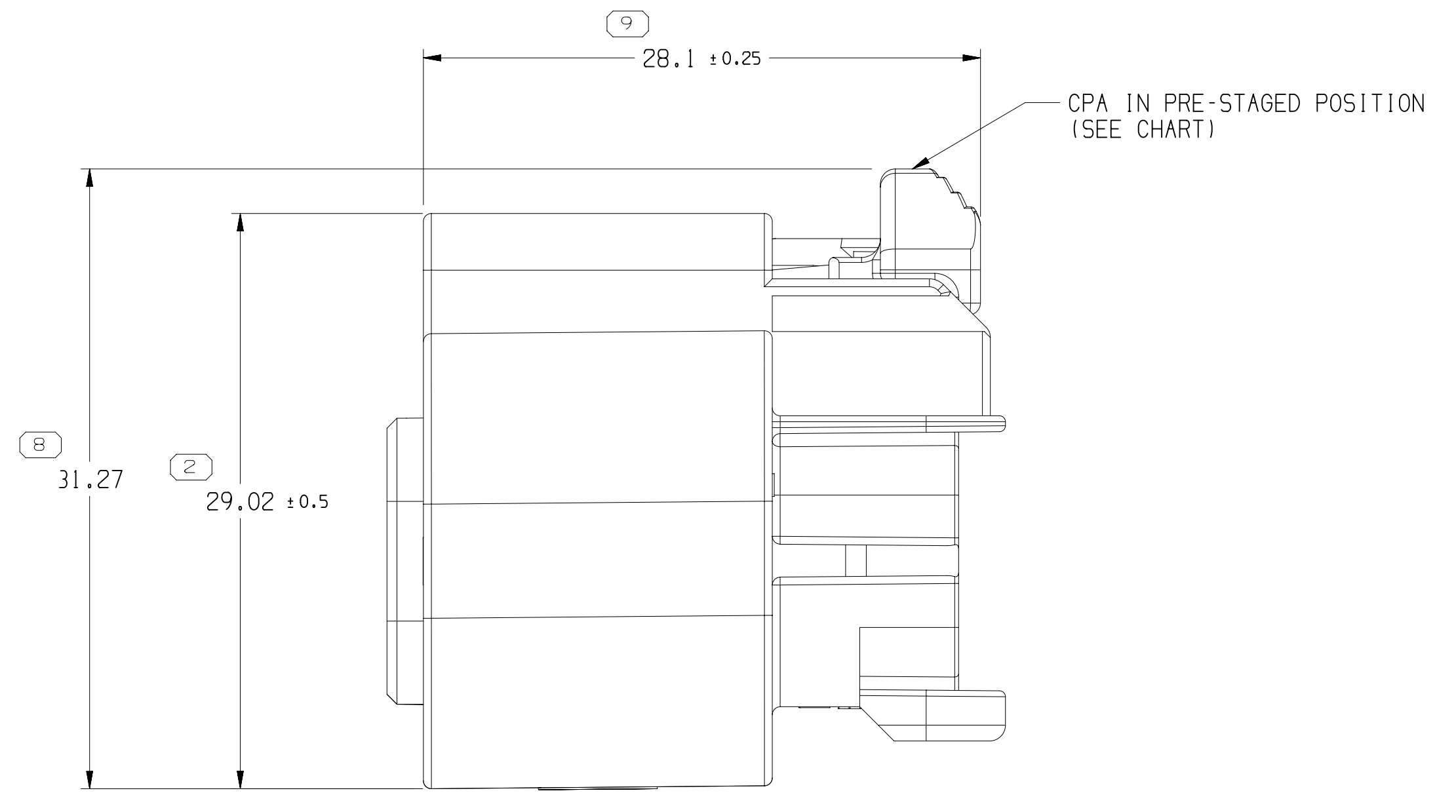
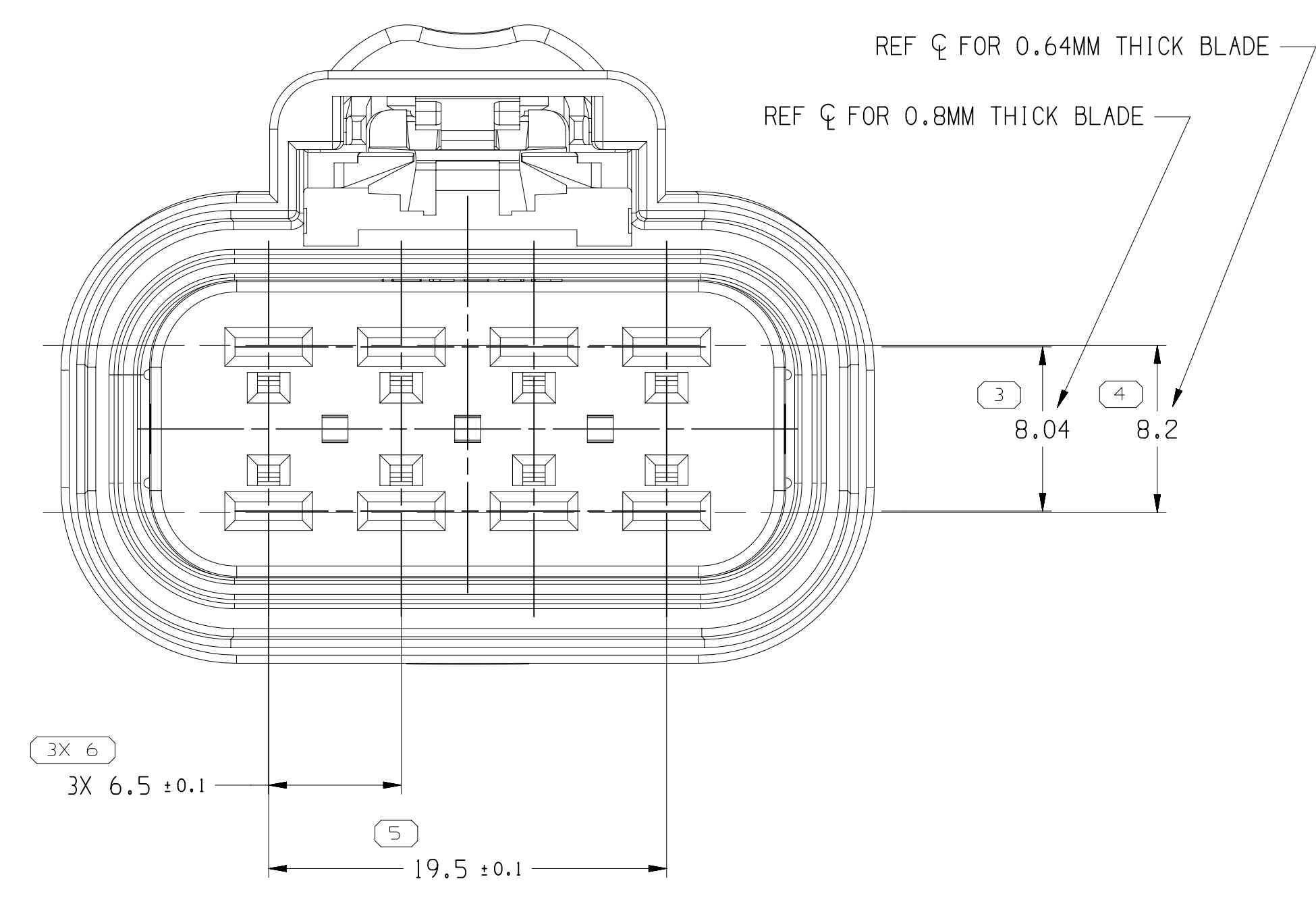
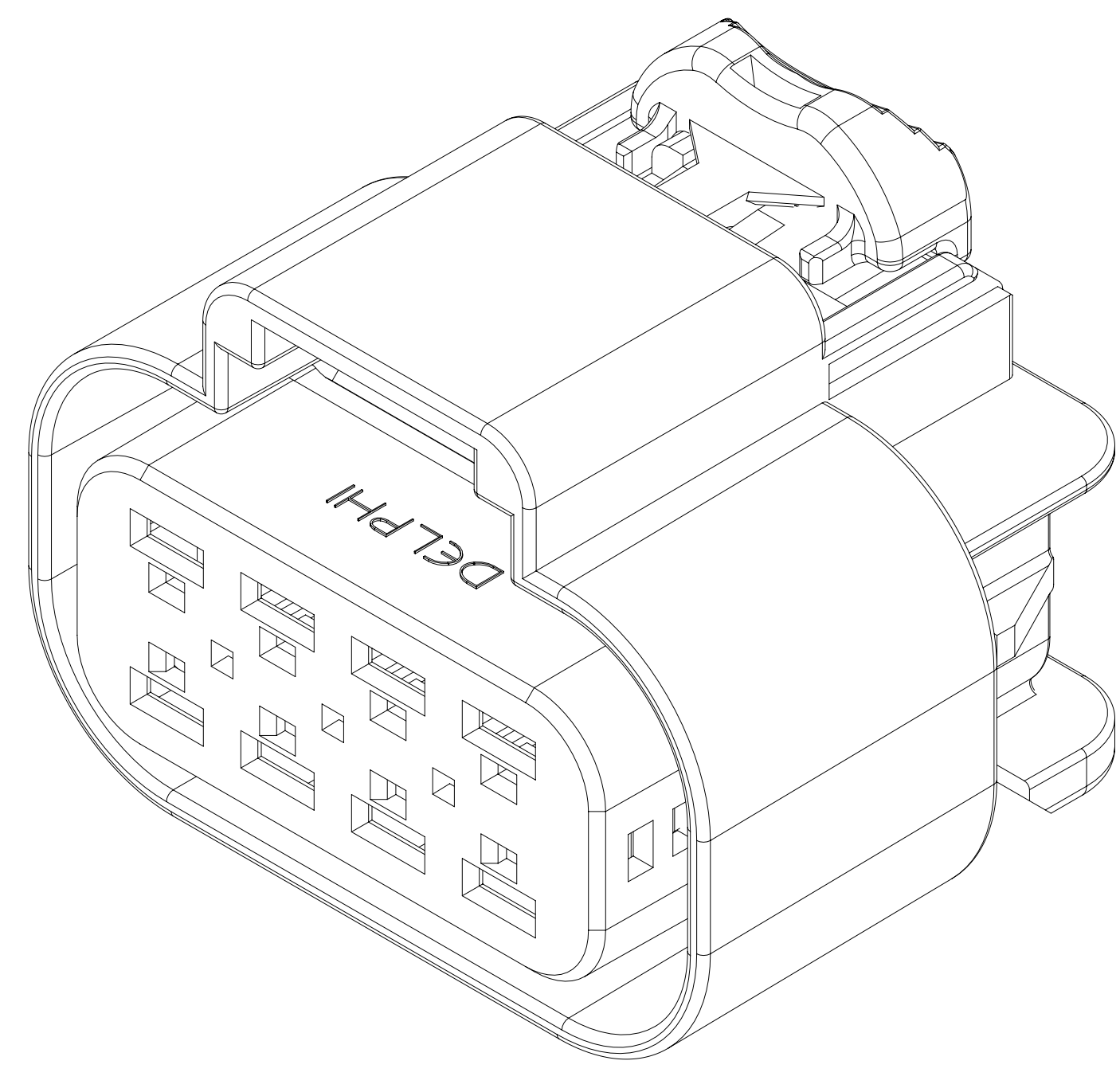
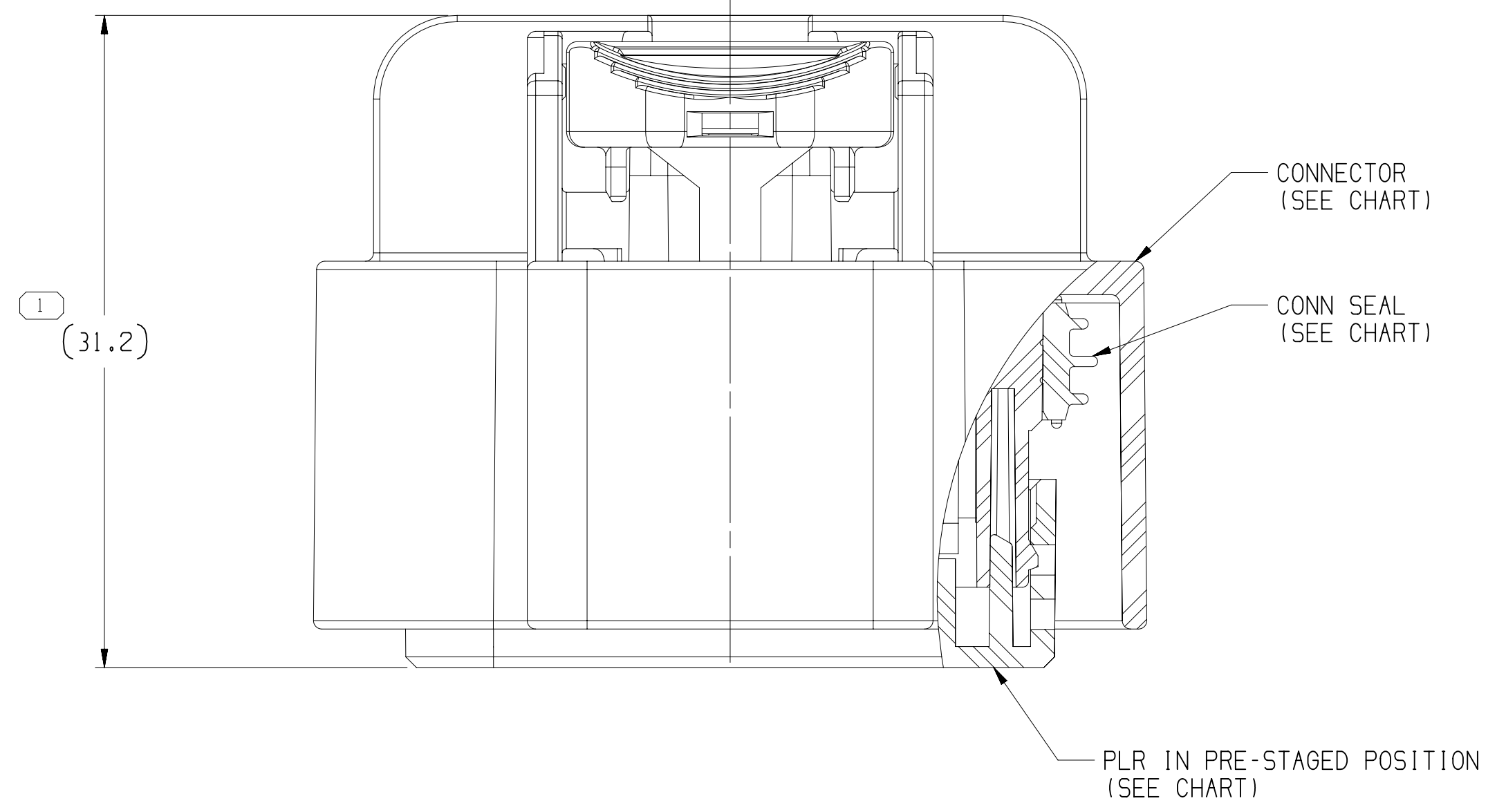


SYMBOL DEFINITION		TOTAL NO OF INSPECTIONS REQUIRED	
A DIMENSION WITHOUT AN INSPECTION REPORT SYMBOL ( ) DOES NOT REQUIRE INSPECTION. IT MAY BE CONTROLLED ON THE INDIVIDUAL COMPONENT DRAWING.		11	
		9	

MISSING SYMBOLS		NO MISSING SYMBOL NUMBER		REVISION HISTORY		AUTH	
DATE	STG	REV	IN/P	CHG	ZONE	440945	GDH
28SE18	R	01	-	-			



NOTES

- UNLESS OTHERWISE SPECIFIED AND/OR INDICATED: DIMENSIONS ARE TO FACE OF VIEW SHOWN AND AUTOMATICALLY ROUNDED BY COMPUTER FOR INSPECTION (SEE MATH MODEL FOR PRECISE DIMENSIONS). FOR ALL OTHER DIMENSIONS NOT SHOWN BUT REQUIRED FOR TOOL BUILD, SEE MATH MODEL FOR PRECISE TOOL PATH DATA.
- SEALING CODE 4 - DESIGN WILL MEET REQUIREMENTS OF SAE/USCAR-2 CONNECTOR SYSTEM ENVIRONMENTAL TEST FLOWCHART (PRESSURE/VACUUM AND SUBMERSION).
- THIS PRODUCT IS NOT CATEGORIZED AS AN APPEARANCE ITEM. MINOR IMPERFECTIONS INCLUDING, BUT NOT LIMITED TO, FLOW MARKS, COLOR BLEMISHES, GATE VESTIGE, AND SOFT FLASH THAT DO NOT AFFECT THE FIT, FORM, OR FUNCTION OF THE PART ARE PERMISSIBLE PER EANP\_4-3\_CS-01-EN.
- FOR APPLICATION DATA SEE THE APPLICATION DRAWING.

35256935	13534968	15326652	15326653	33219152
PART NO	CONNECTOR	PLR	CONN SEAL	CPA

DIMENSIONAL RANGE (MM)	TOLERANCE	CHART	ET							
FROM	> 0	> 20	> 30	> 70	> 100	> 150	> 200	> 250	> 300	> 400
TO	20	30	70	100	150	200	250	300	400	
TOLERANCE UNLESS OTHERWISE SPECIFIED										
±0.15   ±0.2   ±0.3   ±0.4   ±0.5   ±0.6   ±0.8   ±1   ±1.2										
ANGULAR TOLERANCE ±2°										

PART DRAWING	
STYLE	D
VOLUME (OPT)	
DISTR CODE	
UNLESS OTHERWISE SPECIFIED	
THIS DOCUMENT IS IN ACCORDANCE WITH ASME Y14.5-2018. SEE APTIV ENGINEERING DESIGN STANDARD 06-2017 FOR ISO 1101:2004 DIMENSIONAL REQUIREMENTS.	
ALL DIMENSIONS ARE IN MILLIMETERS	
THIRD ANGLE PROJECTION	DO NOT SCALE USE MATH DATA

**• APTIV •**  
CONNECTION SYSTEMS  
WARREN, OH  
COPYRIGHT 2018 APTIV. ALL RIGHTS RESERVED.

THIS DRAWING IS THE PROPERTY OF APTIV AND CONTAINS APTIV CONFIDENTIAL INFORMATION. THE REPRODUCTION, DISTRIBUTION AND UTILIZATION OF THIS DOCUMENT OR ITS RELATED CAD DATA, AS WELL AS COMMUNICATION OF ANY CONTENT TO OTHERS, WITHOUT EXPRESS AUTHORIZATION, IS PROHIBITED.

DR	DATE
APVD1 GERARDO DAVILA	28SE18
APVD2 J.S. ALVARADO	28SE18
APVD3 HECTOR VASQUEZ	28SE18
APVD4	
APVD5	

MATERIAL: POLYESTER COMPOUND

ASSEMBLY: ASM CONN 8 F GT 280 SLD

DRAWING NUMBER: 35256935

SIZE: A0 SCALE: 4:1 FRAME NO: 1 OF 1 SHEET NO: 2 OF 2 STG: R REV: 01