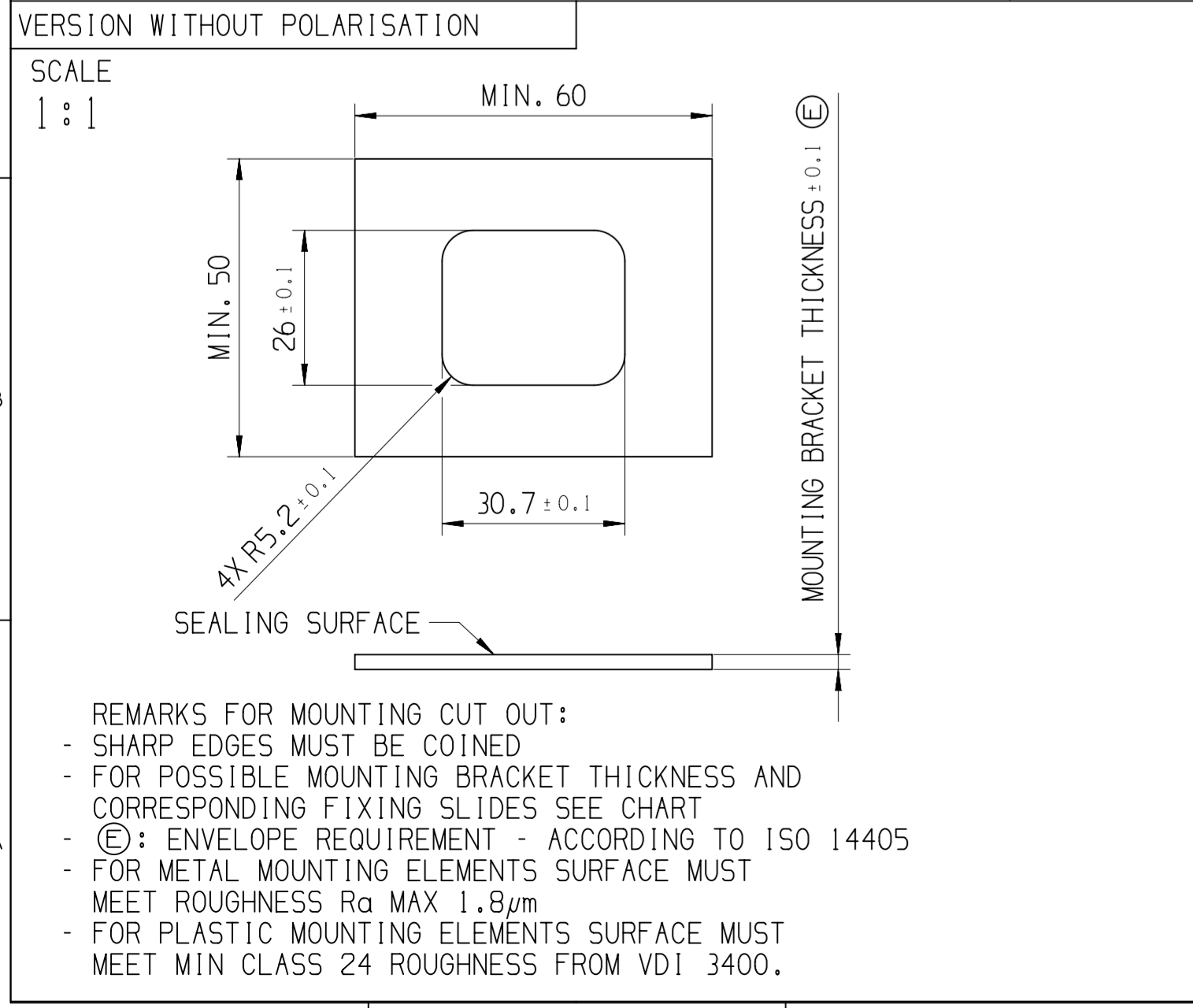
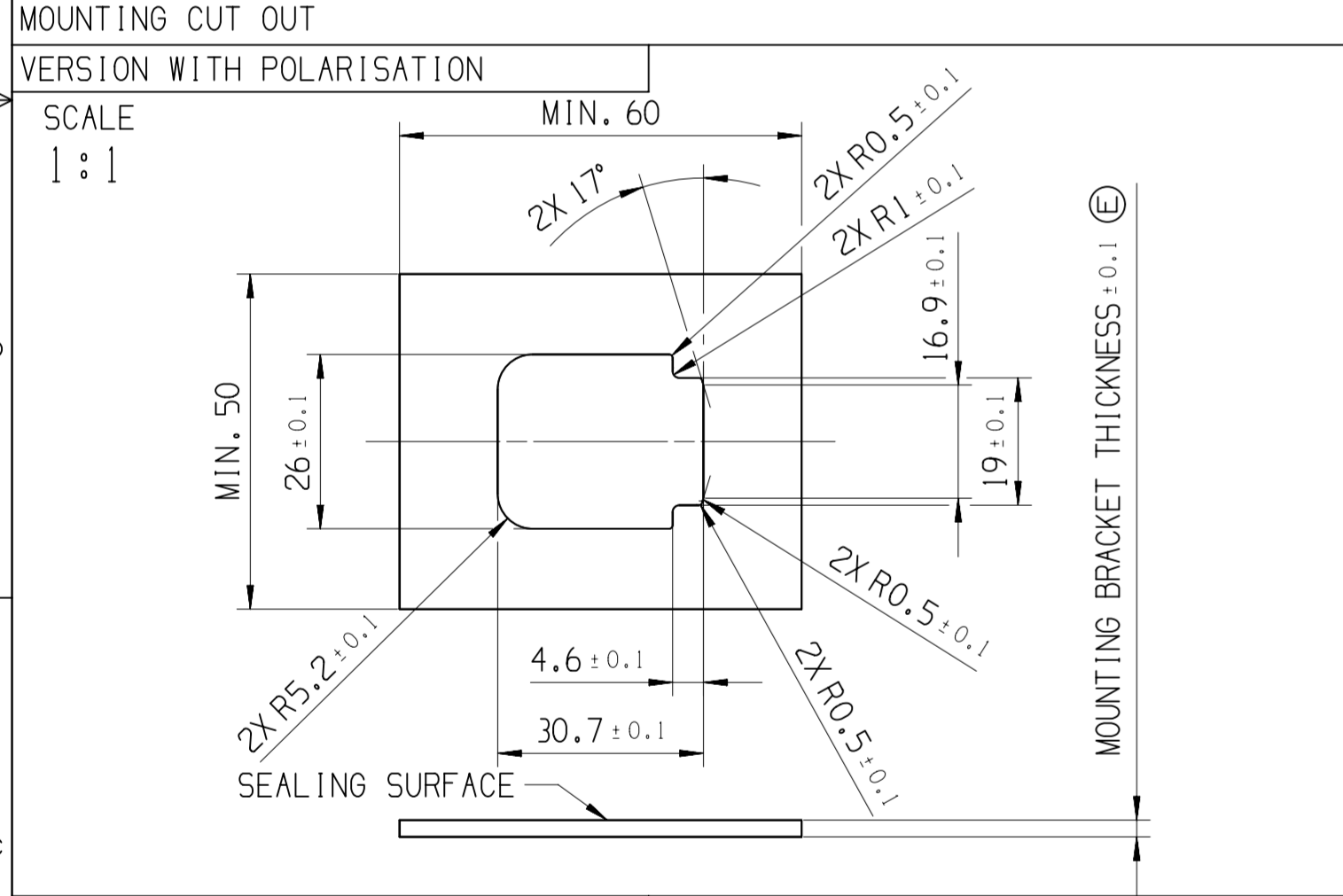
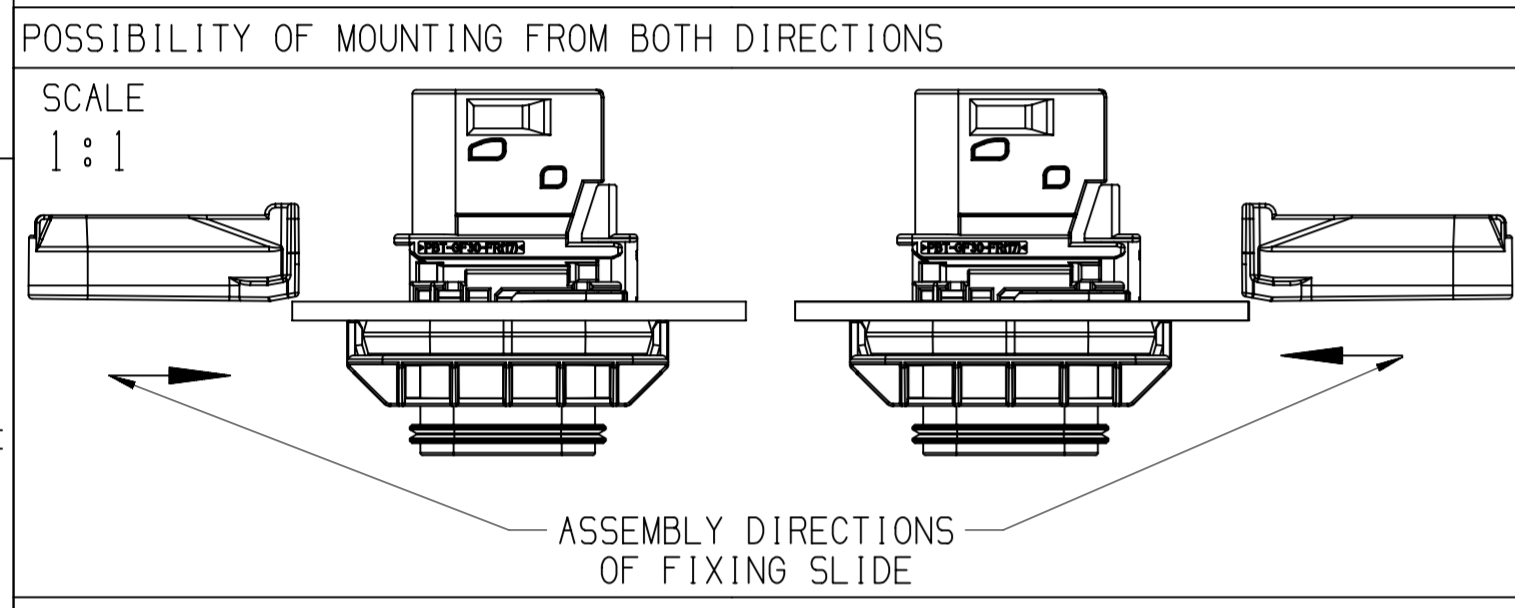


NOTES

- ON MAIN VIEW ASSEMBLY 33285120 SHOWN (CODE A)
- DELIVERED CONDITION AS ON MAIN VIEWS - SECONDARY LOCK IN OPEN POSITION
- ASSEMBLY INSTRUCTION NO.:
 35269105-CUS71 - PRELIMINARY ASSEMBLY
 35269105-CUS72 - HARNESS ASSEMBLY
 35269102-CUS73 - CAR ASSEMBLY
- MATING PARTS:
 - 7 WAY 1.5/2.8 FEMALE CONNECTOR ASM DWG-NO.: 35153947
 - FIXING SLIDE APTIV DWG-NO.: 33294397 (HT DWG-NO.: 17-1458-001-CS6)
 - BACKSHELL 90 DEG APTIV DWG-NO.: 35024554 (HT DWG-NO.: 17-2275-001-CS6)
 - BACKSHELL 180 DEG APTIV DWG-NO.: 35024538 (HT DWG-NO.: 17-1461-001-CS6)
 - PROTECTION CAP APTIV DWG-NO.: 35428682 (HT DWG-NO.: 17-2271-001-CS6)
- MATING TERMINAL SYSTEM:
 - 1.5 TERMINAL DWG-NO.: 15396739
 MAX WIRE CROSS SECTION: 1.0MM²
 RECOMMENDATION FOR 1.5 TERMINAL WITH WIRE CROSS SECTION 1.5MM² - USE COMBINATION:
 TE TERMINAL: TAB 1.6, DWG NO.: 1703278-5
 SEAL: 2112323-1
 MAX INSULATION CRIMP DIMENSIONS:
 HEIGHT: 3.40; WIDTH: 3.40
 - 2.8 TERMINAL DWG-NO.: 13548085
 MAX WIRE CROSS SECTION: 2.5MM²

1 APTIV LOGO
 2 MATERIAL NAME ACCORDING TO VDA 260
 3 DATE INSERT

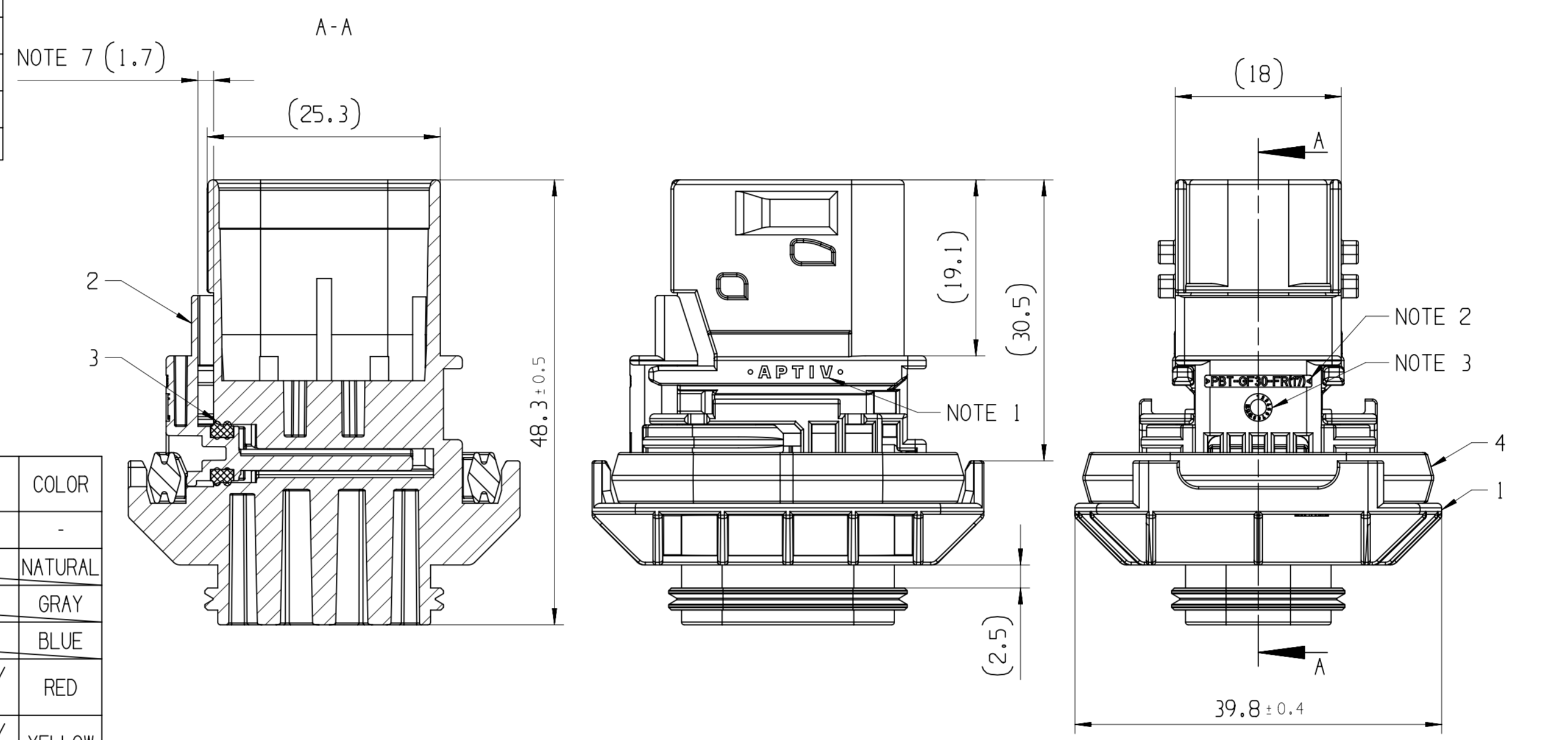


ASSEMBLY-NO.:	PART-REV	CODING	MATERIAL/WEIGHT
33285120	01	CODE A	ALL PARTS VO / 23,9
33285146	01	CODE B	
33285152	01	CODE C	
33285160	01	CODE D	
33346256	01	CODE A	ALL PARTS NVO / 23,23
33347542	01	CODE B	
33347858	01	CODE C	
33347855	01	CODE D	

NOTES

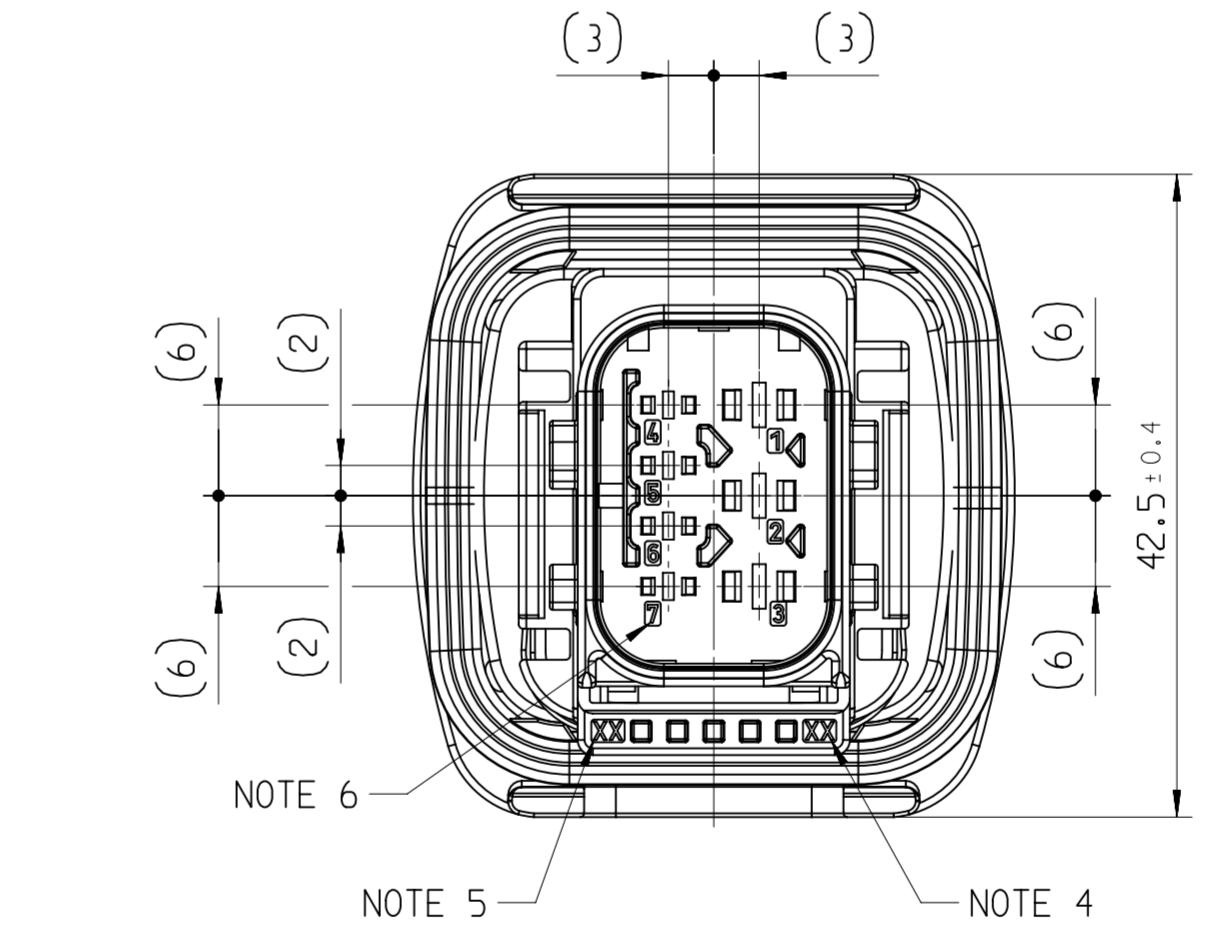
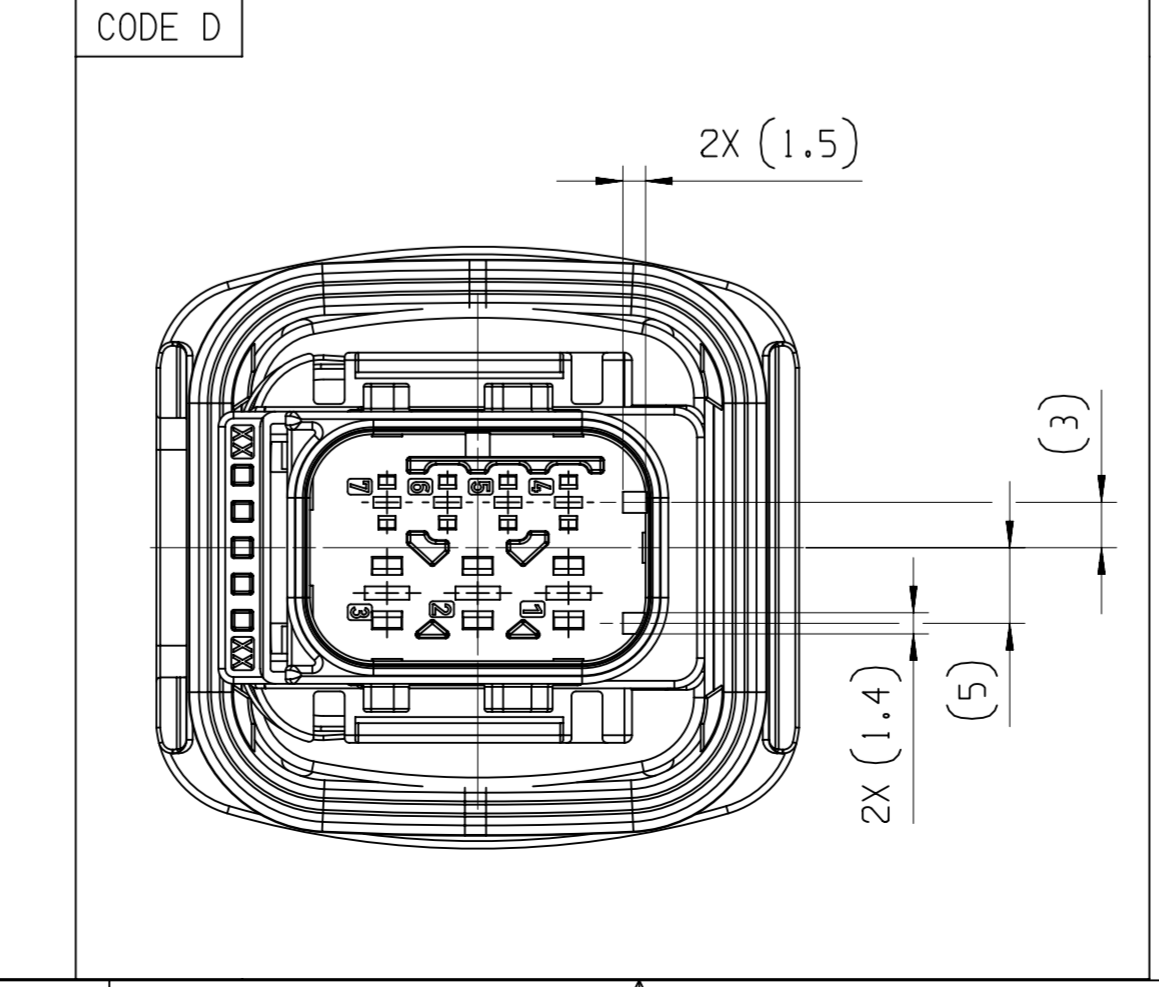
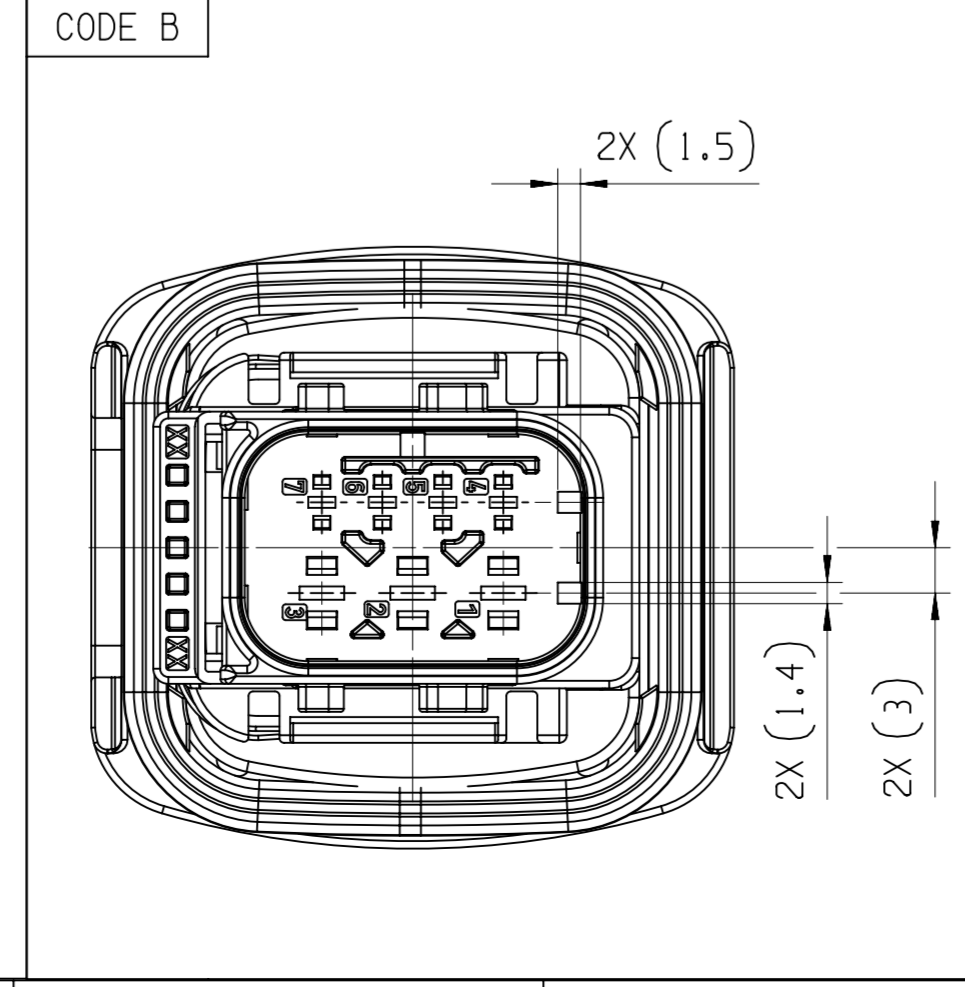
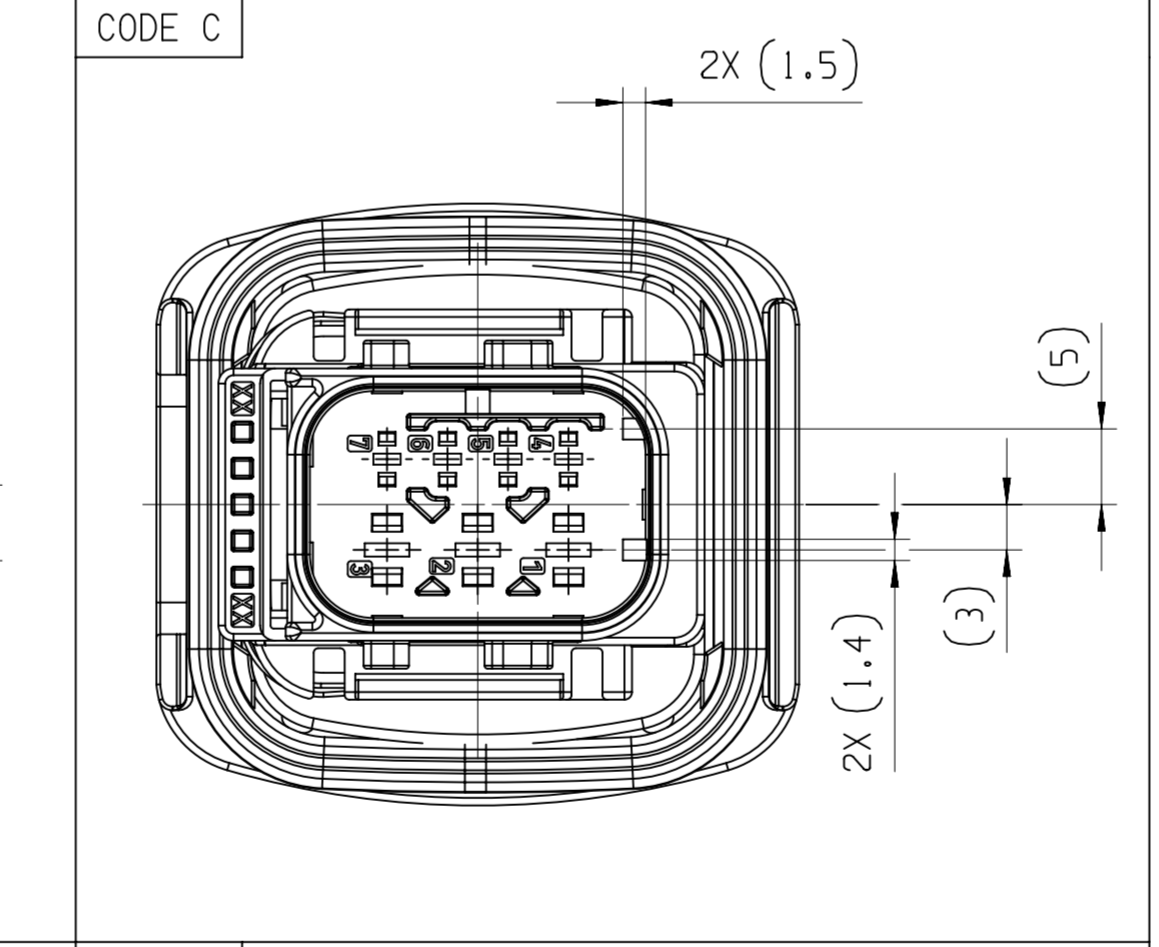
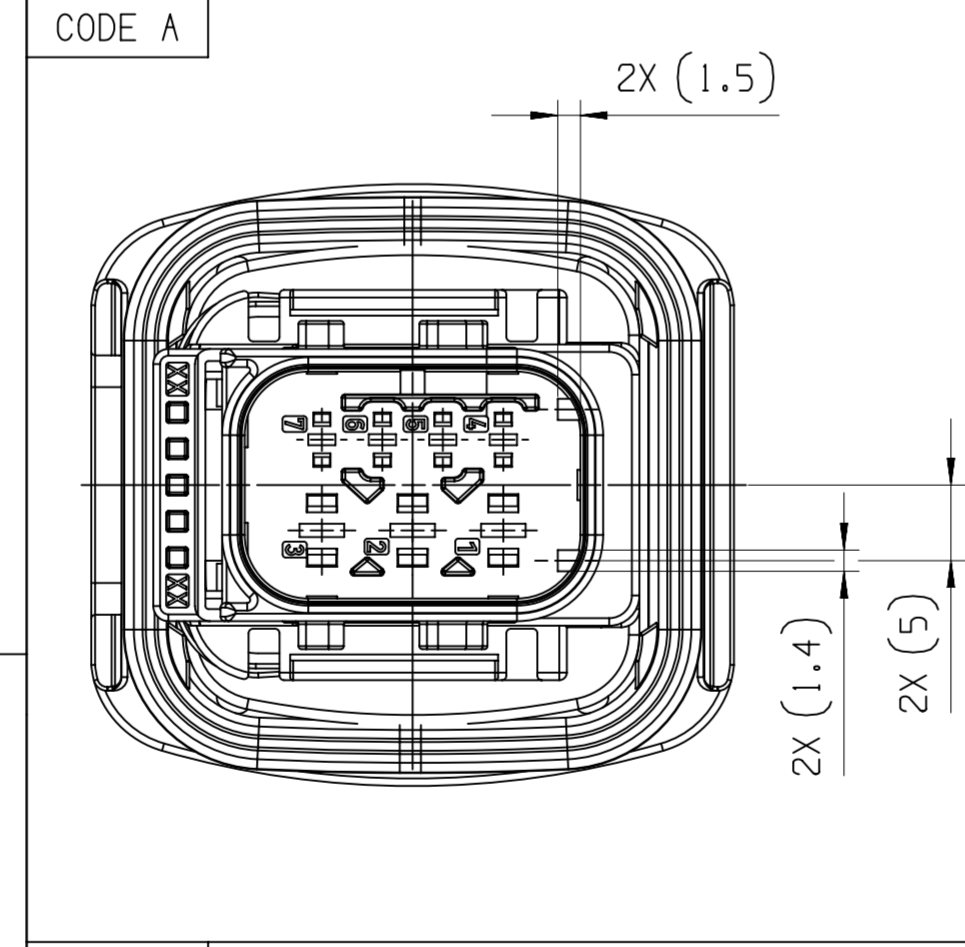
4	TOOL CAVITY NUMBER
5	INDEX REPLACEMENT INSERT
6	PART CAVITY NUMBER
7	MOVING DISTANCE OF SECONDARY LOCK

POSITION	1 HOUSING PANAL MOUNT				2 SECONDARY LOCK		3 SL SEAL	4 FIXING SEAL				
NAME	PBT GF30 FR17				PBT GF30		LSR 50 SHORE	LSR 70 SHORE				
MATERIAL	PBT GF30 FR17				PBT GF30		LSR 50 SHORE	LSR 70 SHORE				
COLOR:	BLACK	GRAY	GREEN	BLUE	BLACK	GRAY	GREEN	BLUE	ORANGE	YELLOW	REDDISH-BROWN	REDDISH-BROWN
PART-NO.:	33283305	33283306	33283309	33283428	33344856	33347362	33347361	33347360	33282488	33344859	33283927	33283926
-	---	---	---	---	---	---	---	---	---	---	---	---
-	1	---	---	---	---	---	---	---	1	---	1	1
-	---	1	---	---	---	---	---	---	1	---	1	1
-	---	---	1	---	---	---	---	---	1	---	1	1
-	---	---	---	1	---	---	---	---	1	---	1	1
-	---	---	---	---	1	---	---	---	---	1	1	1
-	---	---	---	---	---	1	---	---	---	1	1	1
-	---	---	---	---	---	---	1	---	---	1	1	1
-	---	---	---	---	---	---	---	1	---	1	1	1



MOUNTING BRACKET THICKNESS

FIXING SLIDE APTIV/HT PART-NO.:	PBT GF30 FR17	PBT GF30	COLOR
1MM	35065351	35065358	NATURAL
1.5MM	35065364	35065366	GRAY
2MM	35065367	35065368	BLUE
2.5MM	33282490 / 151-02370	33344869 / 151-02371	RED
3MM	33341422 / 151-02374	33344870 / 151-02375	YELLOW
3.5MM	33341423 / 151-02378	33344871 / 151-02379	GRAY
4MM	35065369	35065353	GREEN



UNLESS OTHERWISE SPECIFIED

GENERAL TOLERANCES ACCORDING TO: SEE CHART

GD&T ACCORDING TO: ISO 1101

REFERENCE

FIRST ANGLE PROJECTION

DO NOT SCALE

USE MATH DATA

SHARP CORNER TOLERANCE

R 0.2 MAX

R 0.1 MAX

DIMENSIONAL RANGE (MM)

DIM TO CHECK	FROM	> 0	> 20	> 30	> 70	> 100	> 150	> 200	> 250	> 300
() DIM FOR HELP	TO	0	30	70	100	150	200	250	300	400
THEORETIC DIM		+0.15	+0.2	+0.3	+0.4	+0.5	+0.6	+0.8	± 1	± 1.2

CHART EL

TOLERANCE UNLESS OTHERWISE SPECIFIED

ANGULAR TOLERANCE +2°

DWG STATUS

DATE	STG	REV	N/P/CHG	ZONE
19NO18	R	01	AA	G10 E9
14MR19	R	01	AA	G10 E9
27OC20	R	01	AB	G10 G10

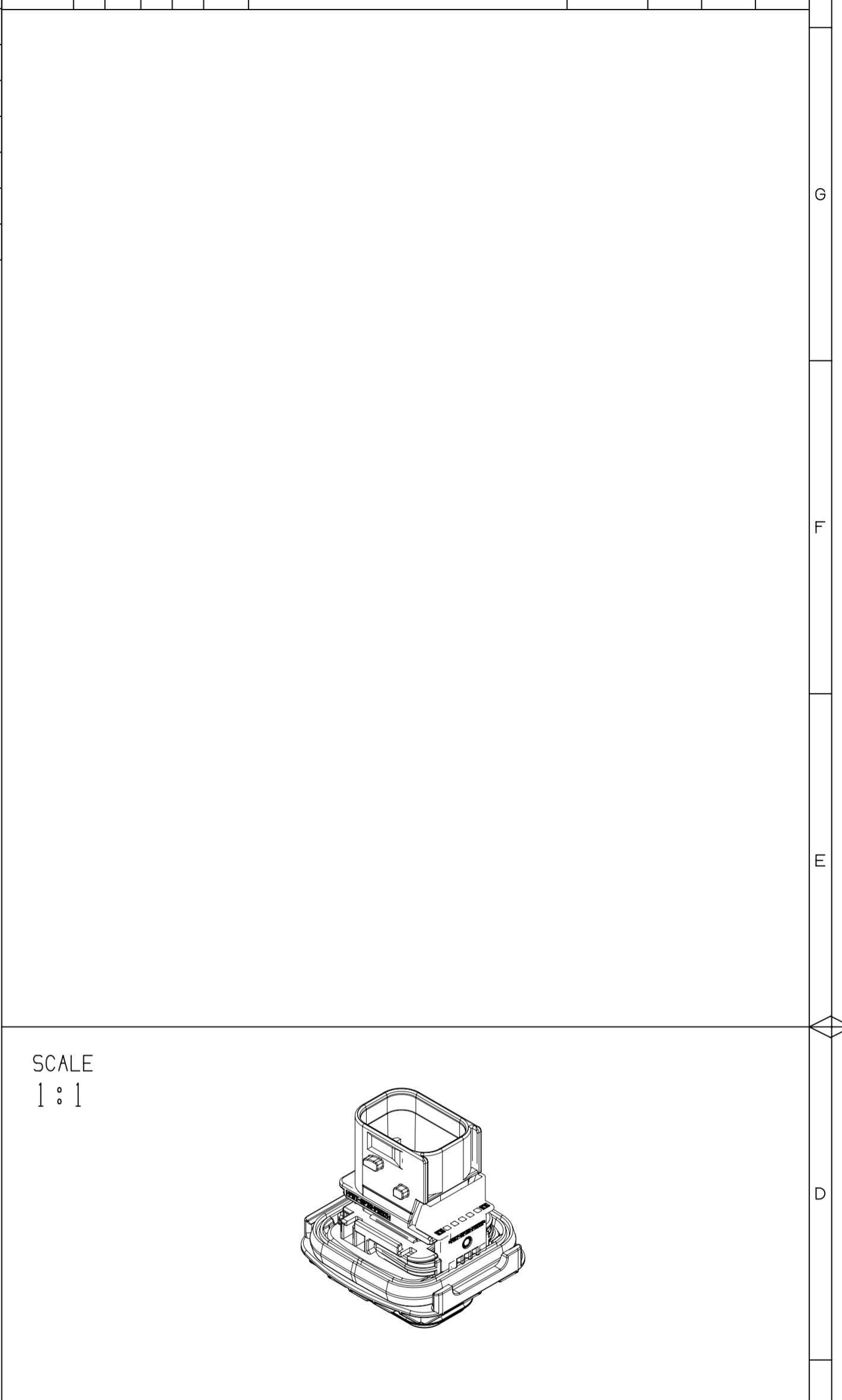
REVISION HISTORY

DATE	DR	APVD 1	APVD 2
18NO18	P.BALAJI	P.NAJDUCH	M.GRU
20NO18	M.GRUDZEWSKI		

INITIAL RELEASE

REFERENCE HELLERMANN TYTON DWG-NO. ADDED
 REFERENCE HELLERMANN TYTON PART-NO. ADDED

PROTECTION CAP APTIV DWG-NO.: 35428682
 WAS 35274875
 PART AVAILABILITY FOR PART NUMBERS 33346256,
 33347542, 33347858, 33347855 UPDATED
 NOTES UPDATED



• APTIV •

CONNECTION SYSTEMS
 KRAKOW, POLAND
 COPYRIGHT 2018 APTIV. ALL RIGHTS RESERVED.

THIS DRAWING IS THE PROPERTY OF APTIV AND CONTAINS APTIV CONFIDENTIAL INFORMATION. THE REPRODUCTION, DISTRIBUTION AND UTILIZATION OF THIS DOCUMENT OR ITS RELATED CAD MATH DATA, AS WELL AS COMMUNICATION OF ANY CONTENT TO OTHERS, WITHOUT EXPRESS AUTHORIZATION, IS PROHIBITED.

TEN RYSUNEK JEST WLASNOSCIA APTIV I ZAWIERA POUFNE INFORMACJE POWIELANE, ROZPIWISZCZNIANE I WYKORZYSTYWANE TEGO DOKUMENTU LUB ZWIAZANYCH Z NIM DANYCH CAD, JAK ROWNIEZ PRZEKAZYWANIE INNYM JAKIEKOLWIEK ICH ZAWARTOSCII, BEZ NADANA WYRAZNYCH UPRAWNIEN, JEST ZABRONIONE.

	DATE
DR	P.BALAJI
APVD1	P.NAJDUCH
APVD2	M.GRUDZEWSKI
APVD3	
APVD4	
APVD5	

SUBSTANCES OF CONCERN AND RECYCLED CONTENT PER APTIV 10949001 SUBSTANCJE NIEBEZPIECZNE I POWTORNIE PRZETWORZONE OKRESLA APTIV 10949001

MATERIAL
 SEE CHART

DRAWING NAME
 7 WAY 1.5 / 2.8
 CTCS PANEL MOUNT MALE ASSEMBLY

DRAWING NUMBER
35153955

SIZE	SCALE	FRAME NO	SHEET NO	STG	REV	N/P
A1	2:1	1 OF 1	1 OF 1	R	01	AB