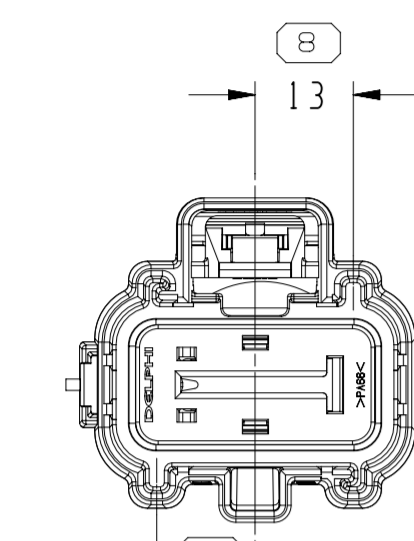
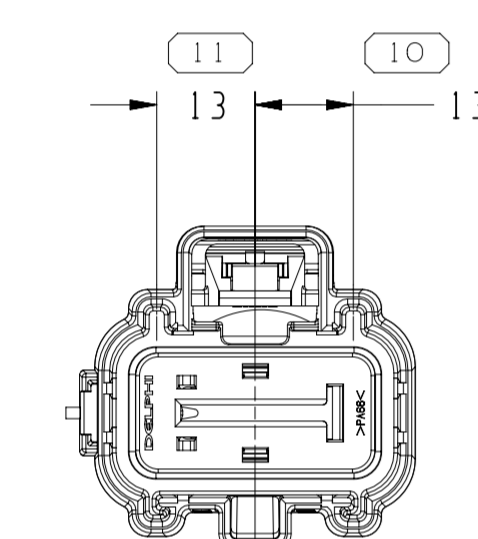


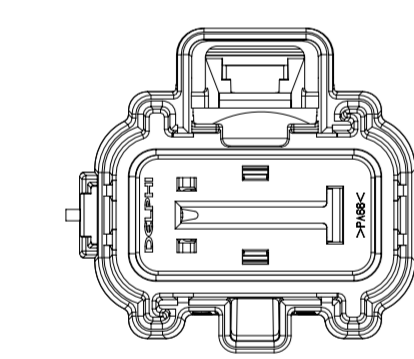
TYPE 102
SAME AS TYPE 101
EXCEPT AS SHOWN



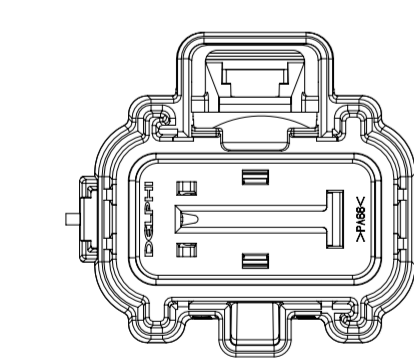
TYPE 103
SAME AS TYPE 101
EXCEPT AS SHOWN



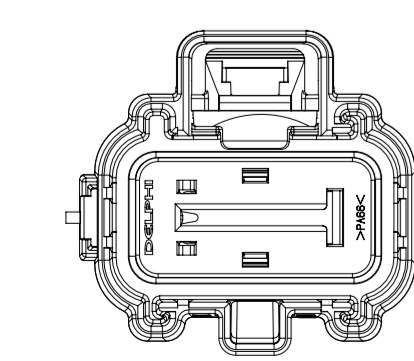
TYPE 104
SAME AS TYPE 101
EXCEPT AS SHOWN



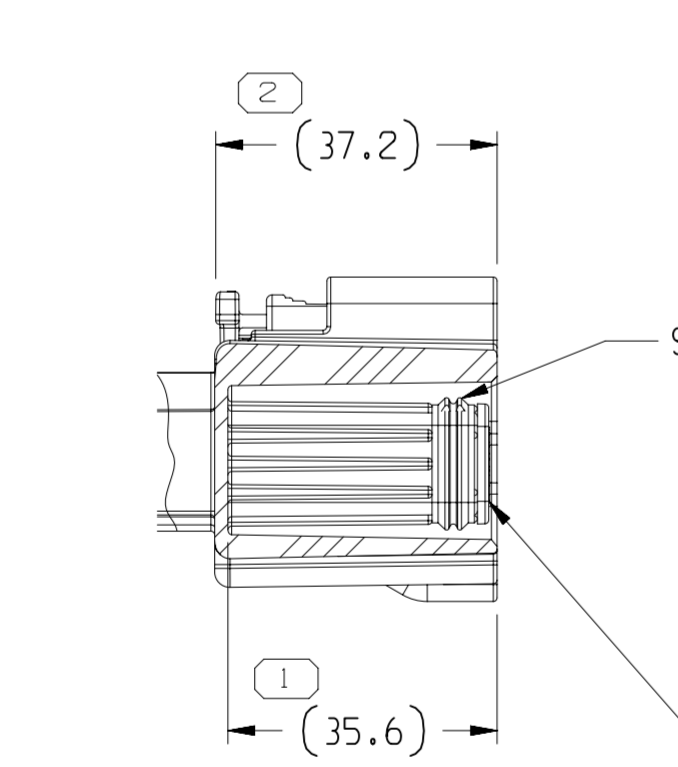
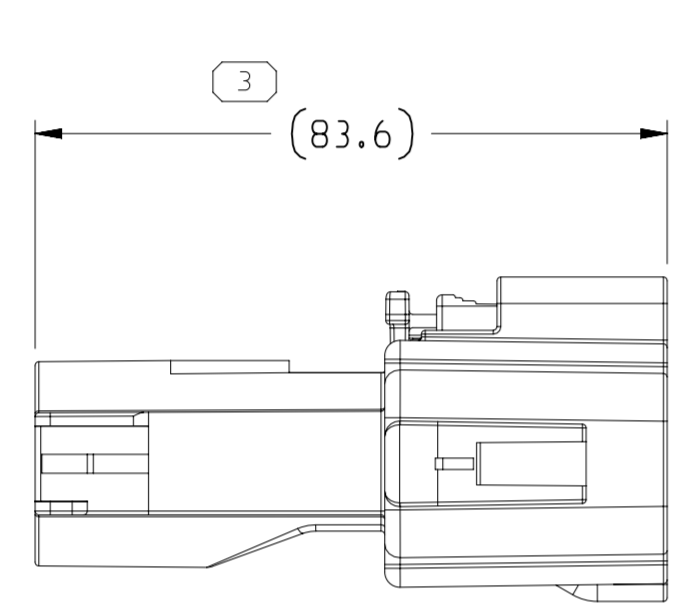
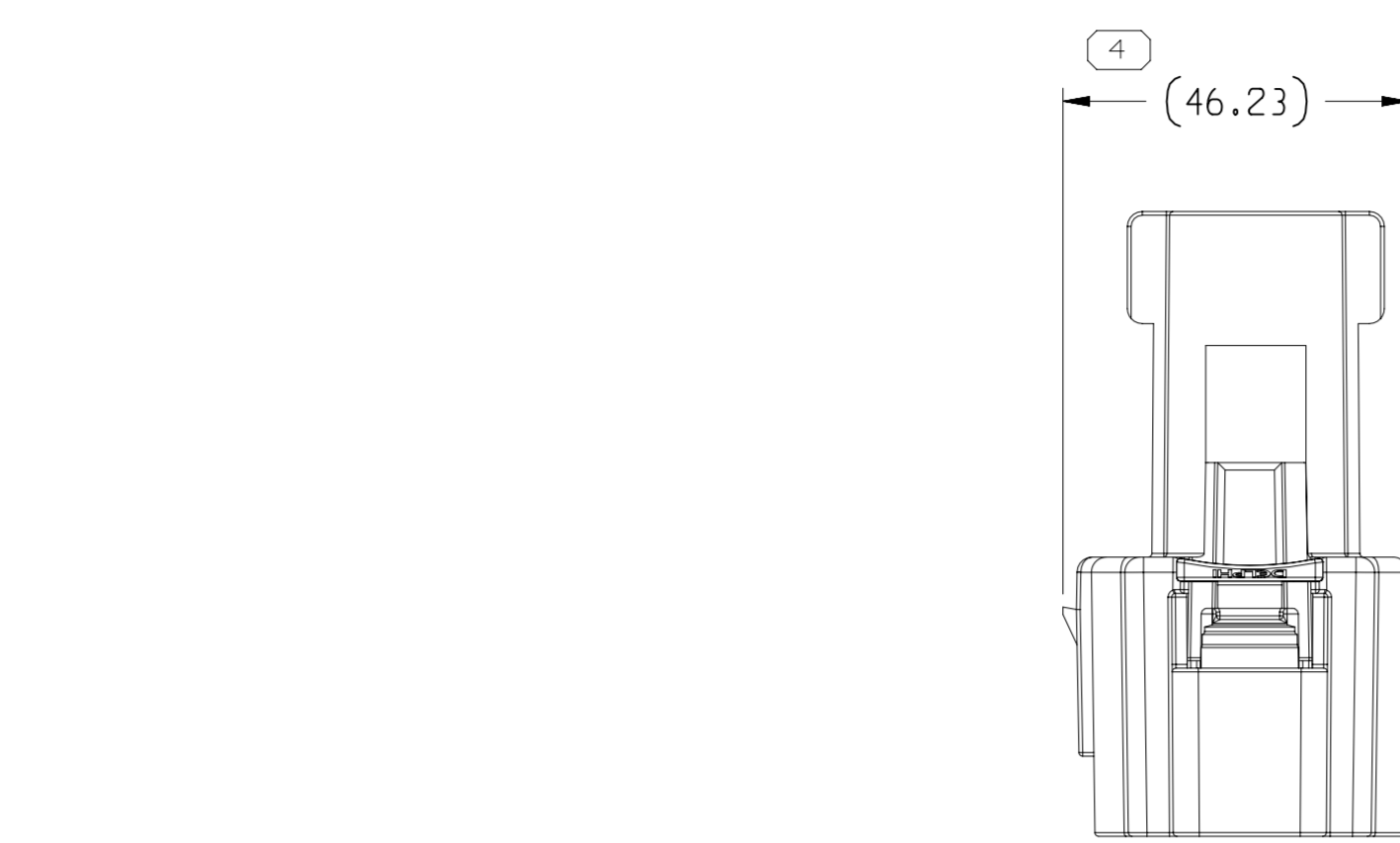
TYPE 105
SAME AS TYPE 101
EXCEPT AS SHOWN



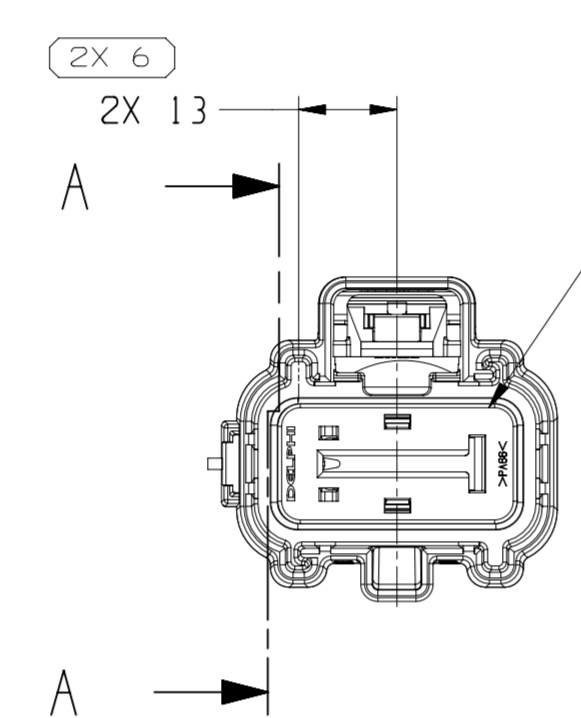
TYPE 106
SAME AS TYPE 103
EXCEPT AS SHOWN



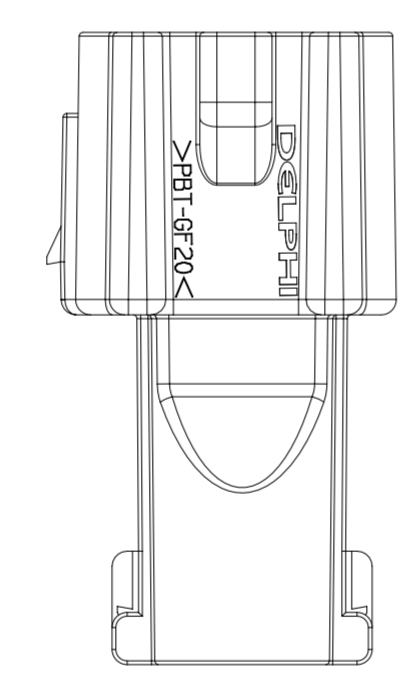
TYPE 107
SAME AS TYPE 102
EXCEPT AS SHOWN



SECTION A-A



TYPE 101



SEAL - SEE CHART

REATER INER MUST BE FULLY ASSEMBLED AS SHOWN.

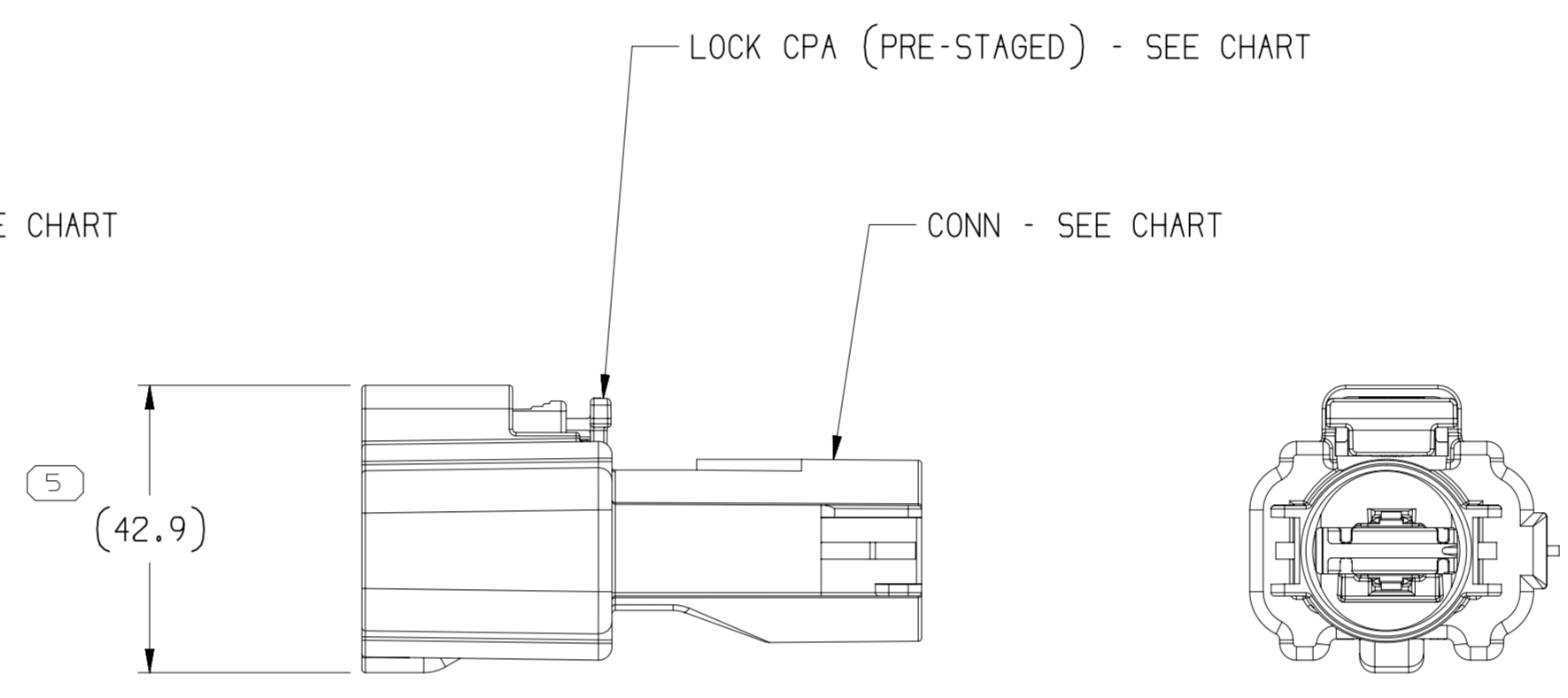
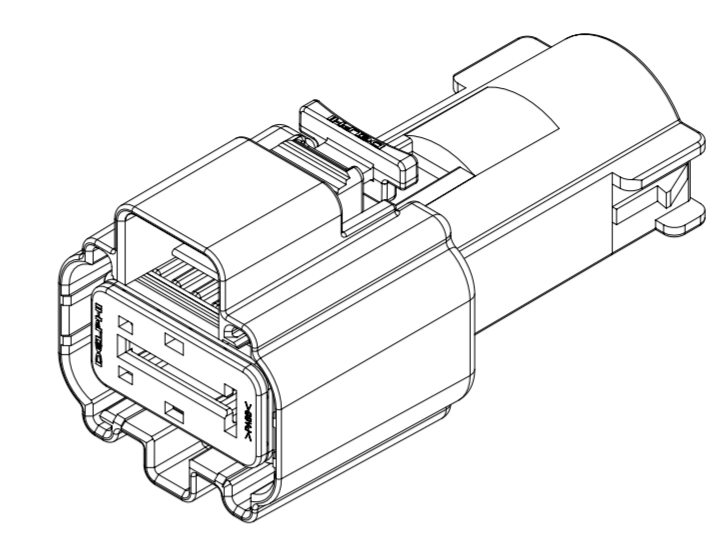
SYMBOL DEFINITION

A DIMENSION WITHOUT AN INSPECTION REPORT SYMBOL DOES NOT REQUIRE INSPECTION. IT MAY BE CONTROLLED ON THE INDIVIDUAL COMPONENT DRAWING.	TOTAL NO OF INSPECTIONS REQUIRED	13
	LAST NO. USED	12

MISSING SYMBOLS

NO MISSING SYMBOL NUMBER	
--------------------------	--

DWG STATUS					ZONE	REVISION HISTORY	AUTH	DR	APVD 1	APVD 2
DATE	STG	REV	N/P	CHG						
20FE07	R	01	-	-		13520916 WAS SEPARATE DWG; 13611153 RELEASED	400483	JEC	JEC	RF
30JL07	R	02	-	-		ALL PARTS - ADDED APPEARANCE ITEM NOTE & APP DATA NOTE AND REMOVED ALL MATING COMP & ACCEPTED COMP INFO	401992	KBD	KBD	KBD
17MR10	R	03	-	-		ADDED 13817280 AND 13817281	410096	MB	MB	DAM
11JN13	R	04	-	-		15538275 - RELEASED; 13817280 & 13817281 UPDATED PART AVAILABILITY	422896	APB	JVM	EDA
150C13	R	05	-	-		15549763 - WAS SEPARATE DRAWING; 33124754 - RELEASED	424149	MIB	JVM	AGG
290C13	R	06	-	-		ALL PARTS - UPDATED PDM ATTRIBUTES	424316	MAB	MAB	AGG
13NO13	R	07	-	-		REMOVED NOTE 7	424555	RRR	JVM	AGG
16AP14	R	08	-	-		ALL PARTS - ADEED DIM 12; TYPE 106 - REMOVED PART AVAILABILITY LINE	426315	AGG	AGG	AGG
28AP14	R	09	-	-		15538275 - UPDATED PART AVAILABILITY	426334	JVR	JVM	EDA
15AU17	R	10	-	-		ALL PARTS - ADDED ASSEMBLY MANUAL NOTE AND REVISED APPEARANCE ITEM NOTE	437257	EVV	EVV	DAB
20SE19	R	11	-	-		ALL PARTS - UPDATED CONN TO LATEST REV	444557	DAV	EVV	MNC



NOTES

- UNLESS OTHERWISE SPECIFIED AND/OR INDICATED:
DIMENSIONS ARE TO FACE OF VIEW SHOWN AND AUTOMATICALLY ROUNDED BY COMPUTER FOR INSPECTION (SEE MATH MODEL FOR PRECISE DIMENSIONS). FOR ALL OTHER DIMENSIONS NOT SHOWN BUT REQUIRED FOR TOOL BUILD, SEE MATH MODEL FOR PRECISE TOOL PATH DATA.
- SEALING CODE 2 - DESIGN WILL PASS SALT FOG TEST AFTER CONDITIONING AS SPECIFIED IN ESA-644 (WEATHER-PACK), ESA-710 (METRIC-PACK), ESA-650 (UNDERHOOD MICRO-PACK), C-4006 (WORLD CONNECTOR), ETC WHEN MATED TO MATING PART OR EQUIVALENT.
- THIS PART IS NOT CONTROLLED FOR AUTOMATIC FEEDING.
- CONNECTOR ENGAGE FORCE GREATER THAN 75N.
- THIS PRODUCT IS NOT CATEGORIZED AS AN APPEARANCE ITEM, MINOR IMPERFECTIONS INCLUDING, BUT NOT LIMITED TO, FLOW MARKS, COLOR BLEMISHES, GATE VESTIGE, AND SOFT FLASH THAT DO NOT AFFECT THE FIT, FORM, OR FUNCTION OF THE PART ARE PERMISSIBLE PER EANP_4-3_CS_01-EN.
- FOR APPLICATION DATA SEE THE INDIVIDUAL APPLICATION DRAWINGS.
- FOR ASSEMBLY MANUAL REFER TO P/N 33133711.

33124754	01	AE	107	13611152	13520915	13520918	-
15549763	01	AF	106	13817278	13520915	13520918	-
15538275	01	AF	105	13520910	13520915	13520918	-
13817281	01	AF	104	13817279	13520915	13520918	13520917
13817280	01	AF	103	13817278	13520915	13520918	13520917
13611153	01	AF	102	13611152	13520915	13520918	13520917
13520916	01	AJ	101	13520910	13520915	13520918	13520917
PART NO	REV	N/P	TYPE	CONN	SEAL	LOCK	LOCK CPA

(N/A) PROCESS SENSITIVE DIMENSION
DIMENSIONS ENCLOSED IN () INDICATE REFERENCE DIMENSIONS AND NO TOLERANCE LIMITS ARE ESTABLISHED

DIMENSIONAL RANGE (MM)		CHART E1	
FROM	TO	>	>
> 0	> 20	> 30	> 70
> 20	> 30	> 70	> 100
> 30	> 70	> 100	> 150
> 70	> 100	> 150	> 200
> 100	> 150	> 200	> 250
> 150	> 200	> 250	> 300
> 200	> 250	> 300	> 400
TOLERANCE UNLESS OTHERWISE SPECIFIED			
±0.15		±0.2	
±0.3		±0.4	
±0.5		±0.6	
±0.8		±1	
±1.2		±1.2	
ANGULAR TOLERANCE ±2°			

LINE DRAWN THROUGH A PART NUMBER INDICATES THAT PHYSICAL PARTS ARE NOT AVAILABLE FOR ORDERING.

PART NUMBERS THAT DO NOT HAVE A LINE PRESENT INDICATE THAT PHYSICAL PARTS ARE AVAILABLE FOR ORDERING.

CONTACT APTIV SALES TO ASSURE AVAILABILITY OF PARTS.

DWG TYPE: PART DRAWING

STYLE: SEE CHART

VOLUME (CM³): SEE CHART

DISTR CODE: D

UNLESS OTHERWISE SPECIFIED THIS DOCUMENT IS IN ACCORDANCE WITH ASME Y14.5M-1994 AS AMENDED BY THE GM GLOBAL DIMENSIONING AND TOLERANCING ADDENDUM-2001. SEPARATE PATTERNS OF FEATURES MAY BE GAGED SEPARATELY REGARDLESS OF DATUM REFERENCES.

ALL DIMENSIONS ARE IN MILLIMETERS

REFERENCE:

THIRD ANGLE PROJECTION

DO NOT SCALE

USE MATH DATA

• APTIV •

CONNECTION SYSTEMS
WARREN, OH
COPYRIGHT 2007 APTIV. ALL RIGHTS RESERVED.

THIS DRAWING IS THE PROPERTY OF APTIV AND CONTAINS APTIV CONFIDENTIAL INFORMATION. THE REPRODUCTION, DISTRIBUTION AND UTILIZATION OF THIS DOCUMENT OR ITS RELATED CAD MATH DATA, AS WELL AS COMMUNICATION OF ANY CONTENT TO OTHERS, WITHOUT EXPRESS AUTHORIZATION, IS PROHIBITED.

DR	DATE
APVD1 J.COLDSNOW	20FE07
APVD2 J.COLDSNOW	20FE07
APVD3 R.FETCENKO	20FE07
APVD4	
APVD5	

SUBSTANCES OF CONCERN AND RECYCLED CONTENT PER APTIV 10949001

MATERIAL SEE CHART

DRAWING NAME: TAXI ASM CONN 1 F PWR PACK 2000 SLD

DRAWING NUMBER: 13627755

SIZE	SCALE	FRAME NO	SHEET NO	STG	REV	N/P
A1	1:1	1 OF 2	1 OF 1	R	11	-