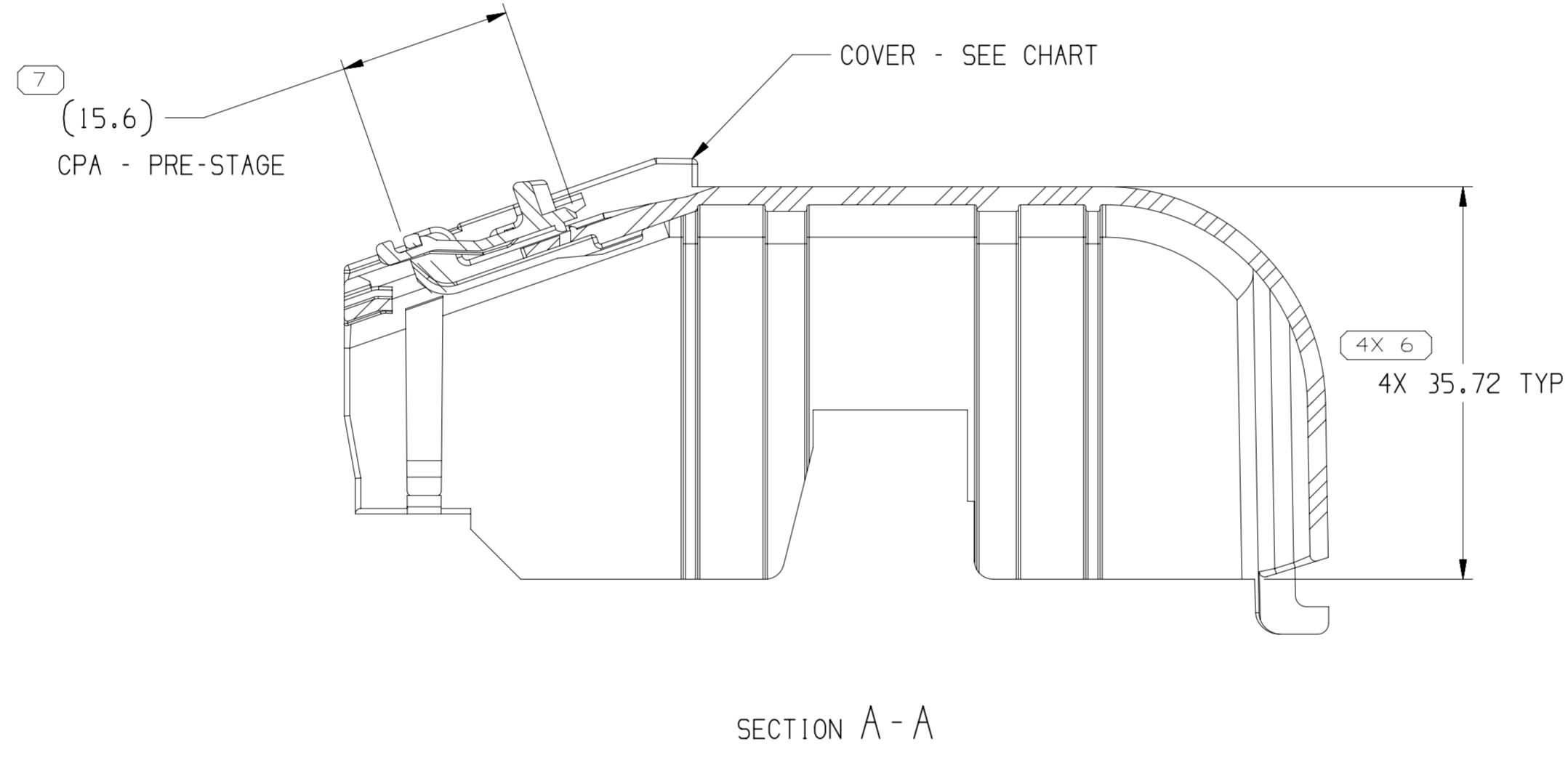
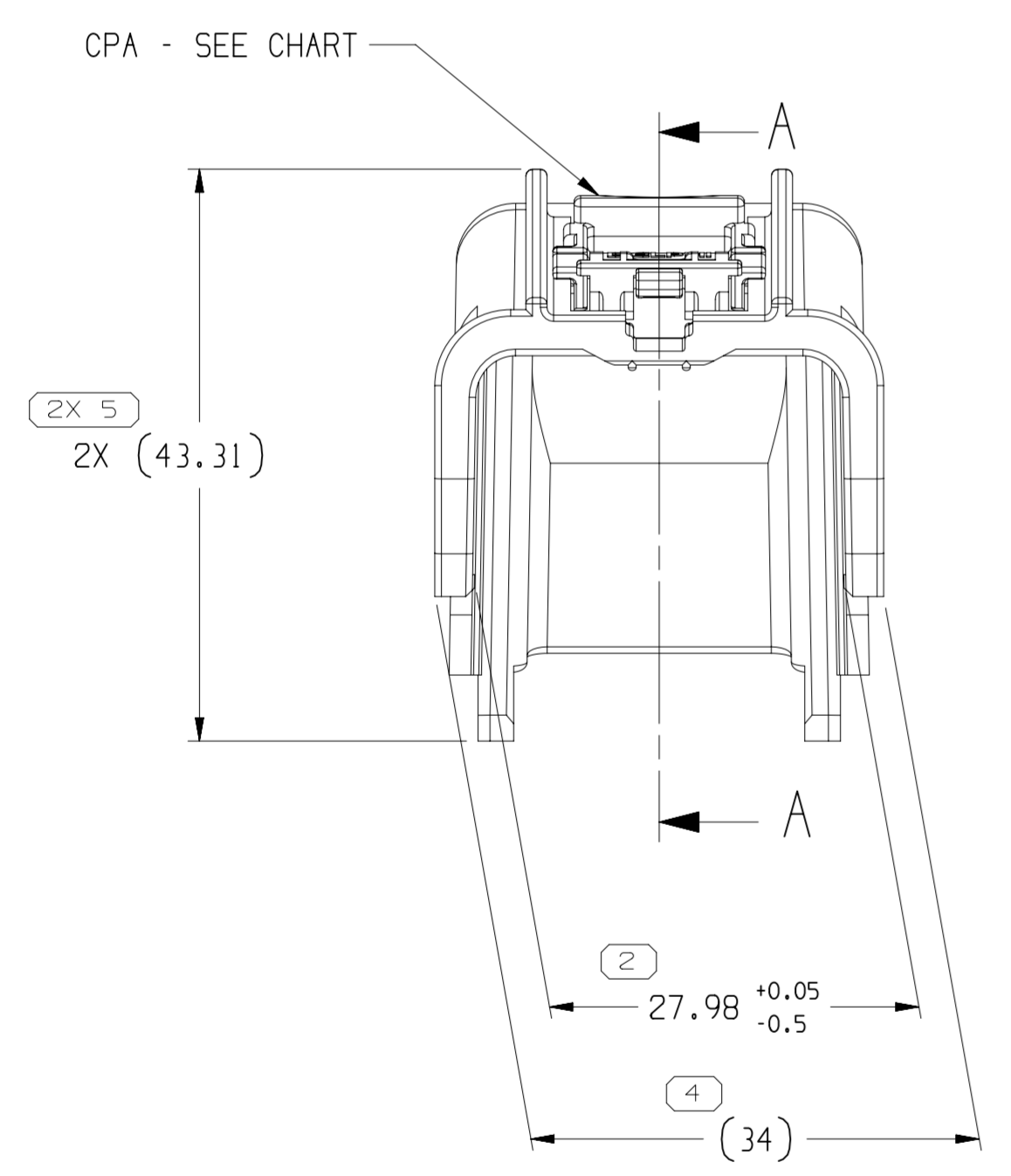
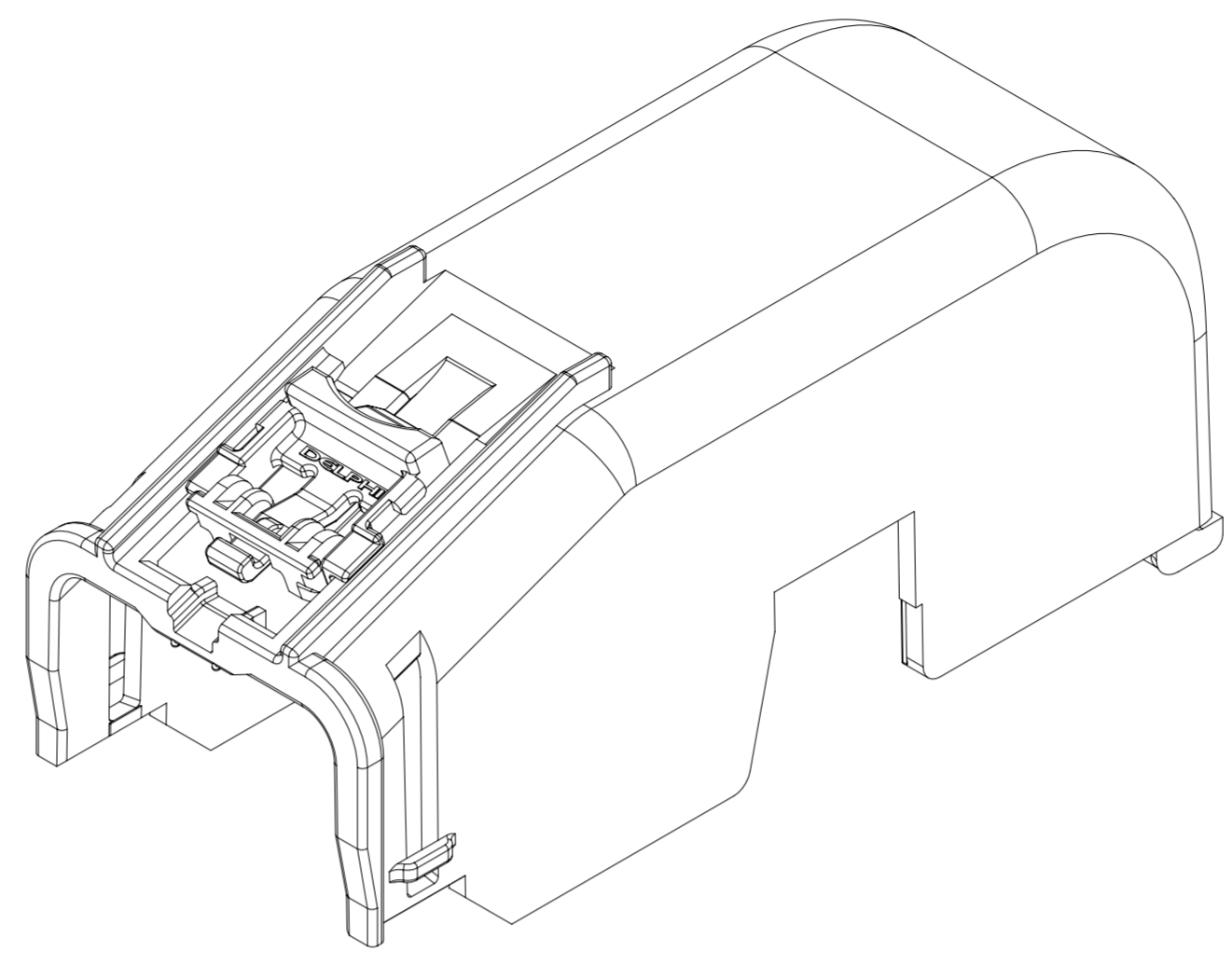
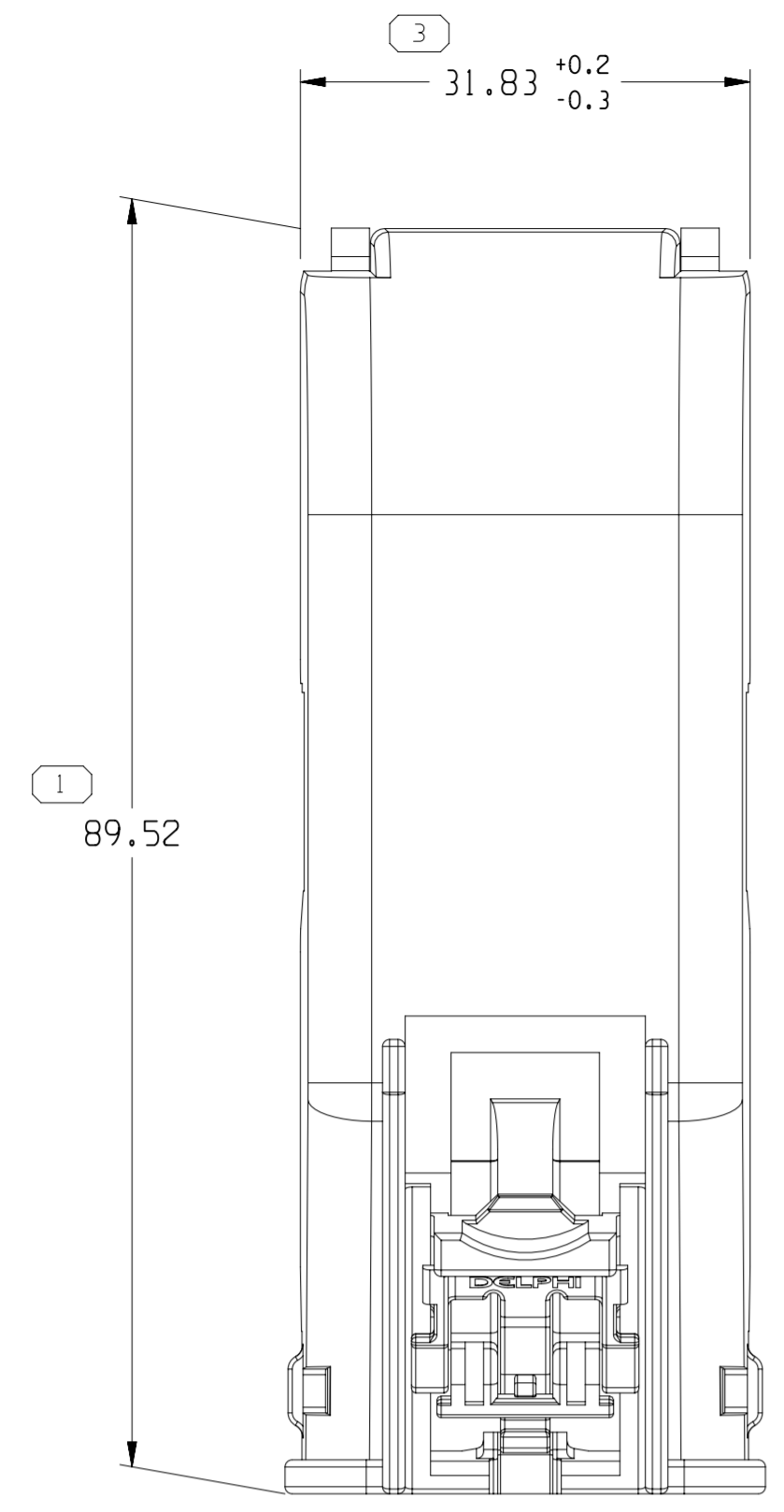


SYMBOL DEFINITION	
A DIMENSION WITHOUT AN INSPECTION REPORT SYMBOL DOES NOT REQUIRE INSPECTION. IT MAY BE CONTROLLED ON THE INDIVIDUAL COMPONENT DRAWING.	TOTAL NO OF INSPECTIONS REQUIRED
	11
	LAST NO. USED
	7

MISSING SYMBOLS		DWG STATUS				REVISION HISTORY				AUTH		DR		APVD	
NO MISSING SYMBOL NUMBER	DATE	STG	REV	N/P	CHG	ZONE	DATE	STG	REV	N/P	CHG	1	2	1	2
	290C18	R	01	-	-							441302	AHY	AHY	JFS
	13FE19	R	01	AA	-							442360	LVD	JAA	RNL



NOTES

- UNLESS OTHERWISE SPECIFIED AND/OR INDICATED:
DIMENSIONS ARE TO FACE OF VIEW SHOWN AND AUTOMATICALLY ROUNDED BY COMPUTER FOR INSPECTION (SEE MATH MODEL FOR PRECISE DIMENSIONS). FOR ALL OTHER DIMENSIONS NOT SHOWN BUT REQUIRED FOR TOOL BUILD, SEE MATH MODEL FOR PRECISE TOOL PATH DATA.
- THIS PRODUCT IS NOT CATEGORIZED AS AN APPEARANCE ITEM, MINOR IMPERFECTIONS INCLUDING, BUT NOT LIMITED TO, FLOW MARKS, COLOR BLEMISHES, GATE VESTIGE, AND SOFT FLASH THAT DO NOT AFFECT THE FIT, FORM, OR FUNCTION OF THE PART ARE PERMISSIBLE PER EANP_4-3_CS_01_EN.
- REFERENCE MATING COMPONENTS OR EQUIVALENT:
CONNECTOR 35264615

A LINE DRAWN THROUGH A PART NUMBER INDICATES THAT PHYSICAL PARTS ARE NOT AVAILABLE FOR ORDERING.	
PART NUMBERS THAT DO NOT HAVE A LINE PRESENT INDICATE THAT PHYSICAL PARTS ARE AVAILABLE FOR ORDERING.	
CONTACT APTIV SALES TO ASSURE AVAILABILITY OF PARTS.	
DWG TYPE	PART DRAWING
STYLE	
VOLUME (CM)	DISTR CODE D
UNLESS OTHERWISE SPECIFIED THIS DOCUMENT IS IN ACCORDANCE WITH ASME Y14.5-2009. SEE APTIV ENGINEERING DESIGN STANDARD B6 2017 FOR ISO 1101:2004 RECONCILIATION REQUIREMENTS.	
ALL DIMENSIONS ARE IN MILLIMETERS	
THIRD ANGLE PROJECTION	DO NOT SCALE
USE MATH DATA	

• APTIV •
CONNECTION SYSTEMS
WARREN, OH
COPYRIGHT 2018 APTIV. ALL RIGHTS RESERVED.

THIS DRAWING IS THE PROPERTY OF APTIV AND CONTAINS APTIV CONFIDENTIAL INFORMATION. THE REPRODUCTION, DISTRIBUTION AND UTILIZATION OF THIS DOCUMENT OR ITS RELATED CAD MATH DATA, AS WELL AS COMMUNICATION OF ANY CONTENT TO OTHERS, WITHOUT EXPRESS AUTHORIZATION, IS PROHIBITED.

DR	DATE
APVD1 MA. ANTONIETA HDZ	290C18
APVD2 MA. ANTONIETA HDZ	300C18
APVD3 JOSE SIFUENTES	310C18
APVD4	
APVD5	

SUBSTANCES OF CONCERN AND RECYCLED CONTENT PER APTIV 10949001

MATERIAL SEE CHART

DRAWING NAME
ASM COV WIRE DRESS

DRAWING NUMBER
35268696

SIZE	SCALE	FRAME NO	SHEET NO	STG	REV	N/P
A1	2:1	1 OF 1	1 OF 2	R	01	AA

35268696	35228631	33297525
PART NO	COVER	CPA

DIMENSIONAL RANGE (MM)		CHART E1	
FROM	TO	> 20	> 300
> 0	> 20	> 30	> 100
> 20	> 30	> 70	> 150
		> 100	> 200
		> 150	> 250
		> 200	> 300
		> 250	> 400
TOLERANCE UNLESS OTHERWISE SPECIFIED			
		±0.15	±0.2
		±0.3	±0.4
		±0.5	±0.6
		±0.8	±1
		±1	±1.2
ANGULAR TOLERANCE ±2°			

Sheet: 35268696-CUS01-S01/01AA Date: 19-Feb-19 Time: 06:38:59
Z:\Bom\02192019_06:38:47\pass.mcr