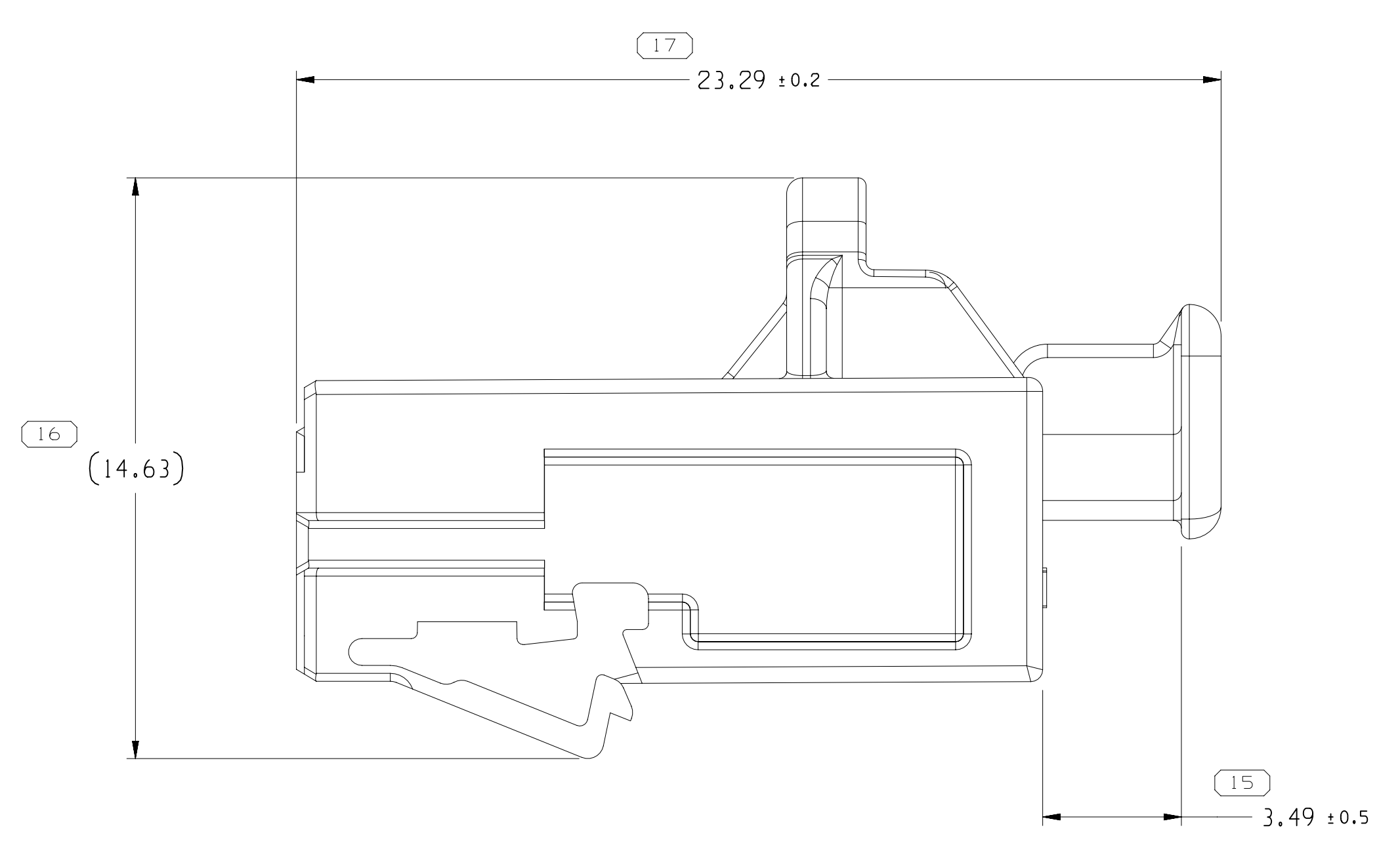
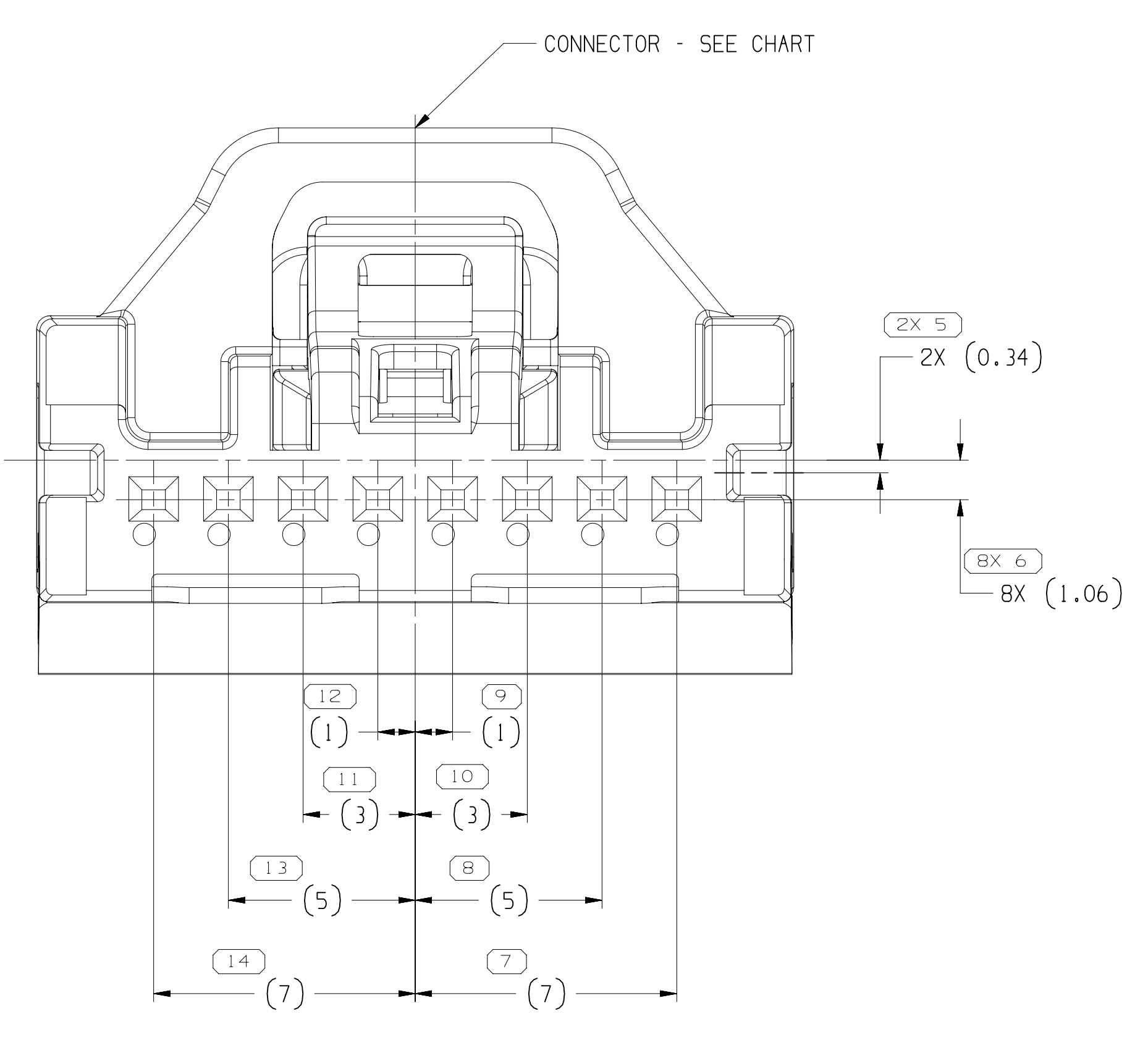
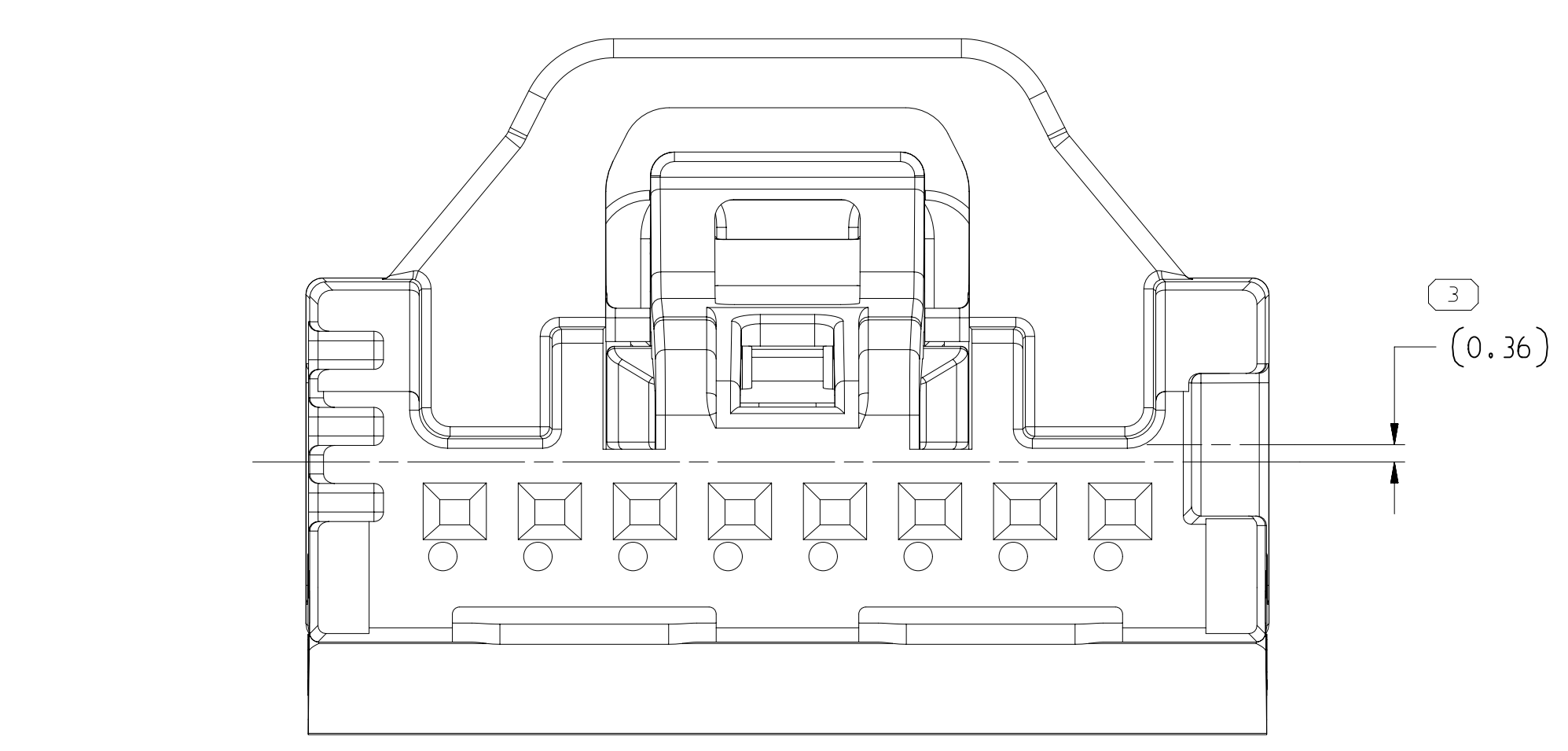
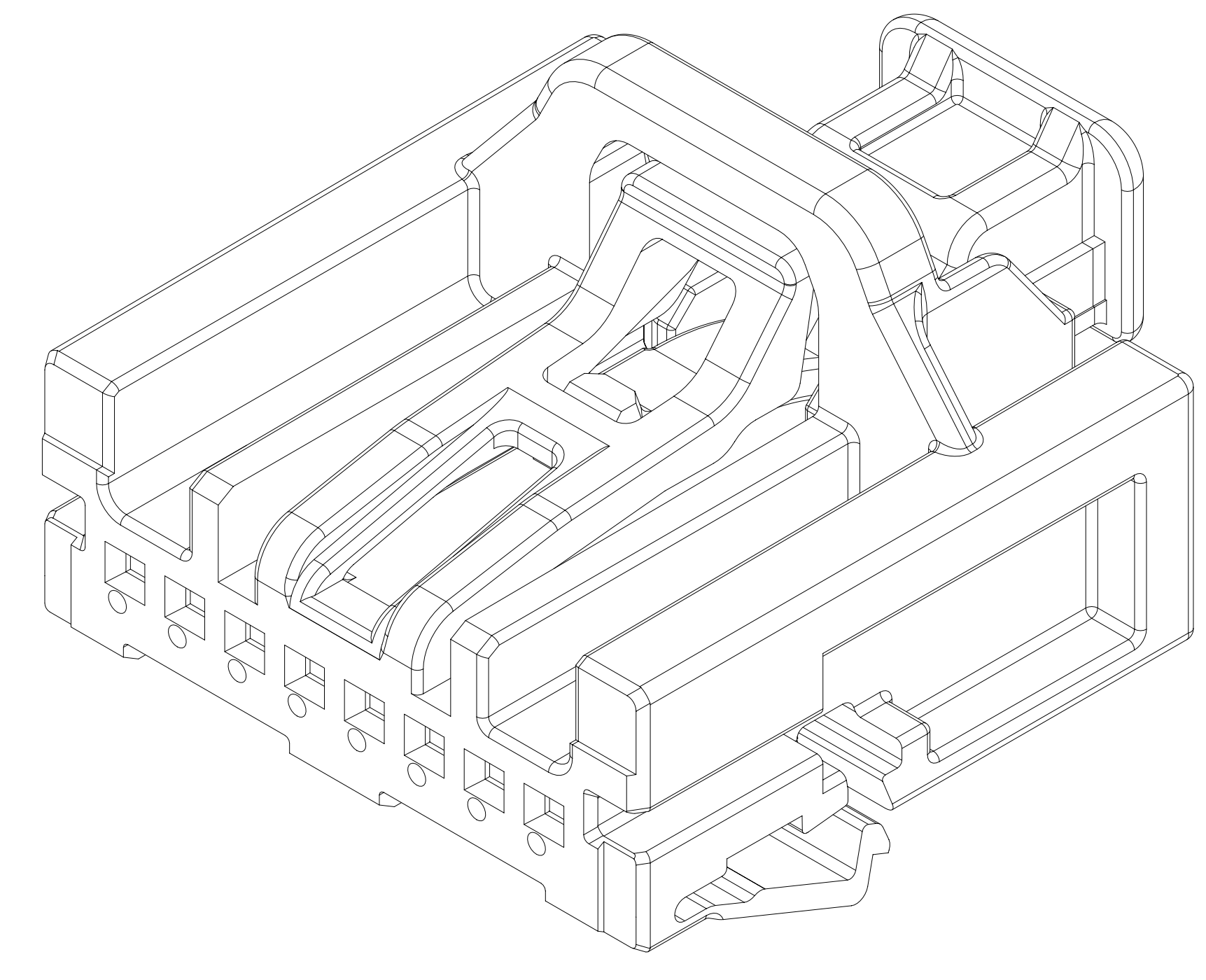
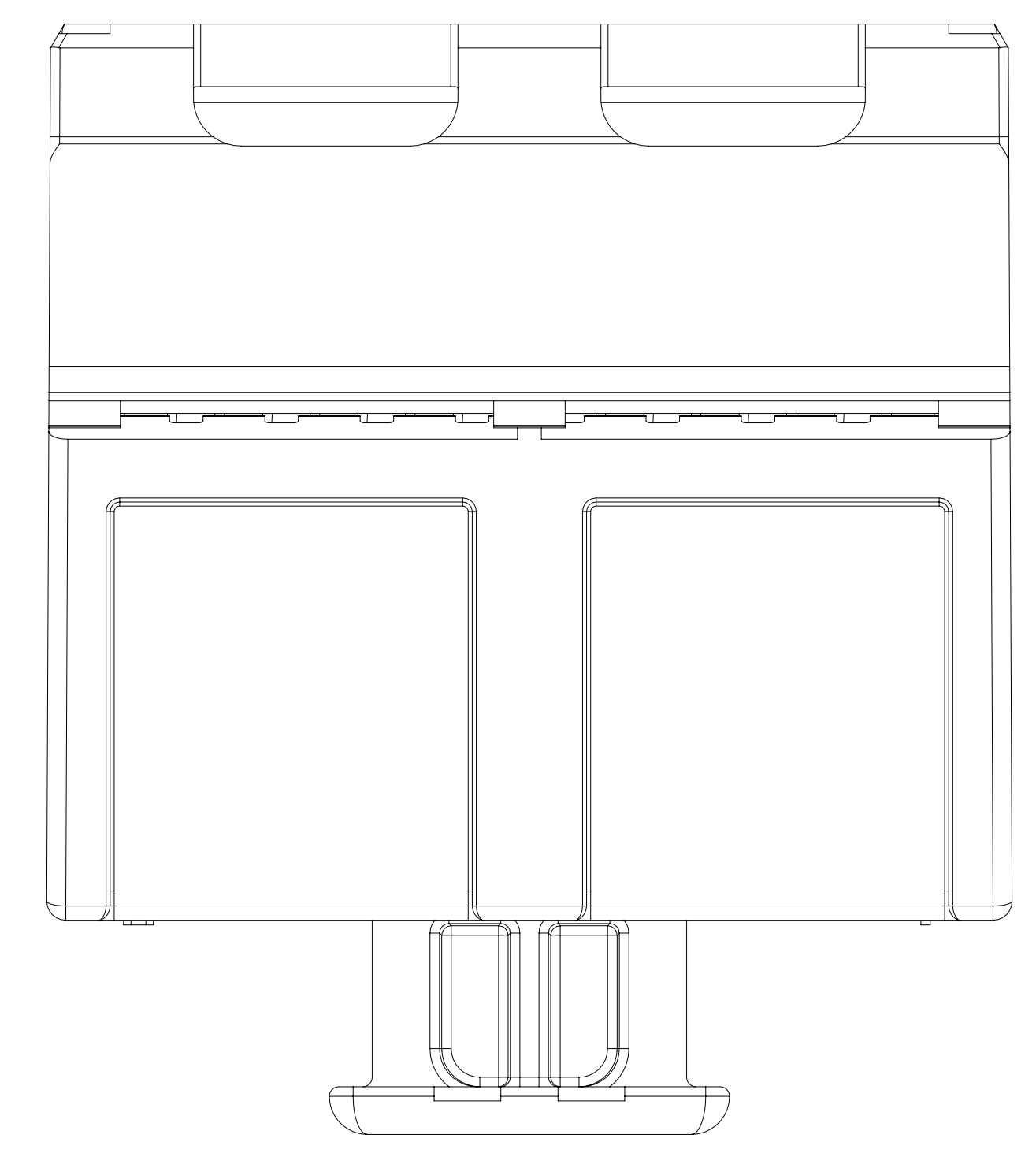


SYMBOL DEFINITION		TOTAL NO OF INSPECTIONS REQUIRED	MISSING SYMBOLS
A DIMENSION WITHOUT AN INSPECTION REPORT SYMBOL DOES NOT REQUIRE INSPECTION. IT MAY BE CONTROLLED ON THE INDIVIDUAL COMPONENT DRAWING.		25	NO MISSING SYMBOL NUMBER
LAST NO. USED		17	

DWG STATUS	DATE	STG	REV	N/P	CHG	ZONE	REVISION HISTORY	AUTH	DR	APVD	APVD
15N017	R	01	-	-	-		ALL PARTS - RELEASED PART DRAWING	436714	NKS	RRR	EH
14N18	R	02	-	-	-		ALL PARTS - REVISED NOTE #03	440094	NKS	NKS	EH
21SE18	R	03	-	-	-		ALL PARTS - REVISED GRAPHICS; 3506B228 - UPDATED PART AVAILABILITY	441028	SM	RRR	EG
04MR21	R	04	-	-	-		ALL PARTS - 23.29 +0.2 WAS (23.29) 3506B230 - UPDATED PART AVAILABILITY	553735	BDH	JAA	DM



TYPE 101



NOTES

- UNLESS OTHERWISE SPECIFIED AND/OR INDICATED: DIMENSIONS ARE TO FACE OF VIEW SHOWN AND AUTOMATICALLY ROUNDED BY COMPUTER FOR INSPECTION (SEE MATH MODEL FOR PRECISE DIMENSIONS). FOR ALL OTHER DIMENSIONS NOT SHOWN BUT REQUIRED FOR TOOL BUILD, SEE MATH MODEL FOR PRECISE TOOL PATH DATA.
- WHEN PARTS ARE SHIPPED THEY MUST BE PACKED IN PLASTIC BAGS OR SHIPPING CONTAINERS MUST BE LINED WITH PLASTIC LINERS. BAGS OR LINERS MUST BE SEALED TO AVOID FOREIGN MATTER.
- SEALING CODE 1 - DESIGN WILL MEET REQUIREMENTS OF SAE/USCAR-6 UNSEALED CONNECTOR SYSTEM ENVIRONMENTAL TEST FLOWCHART.
- THIS PART IS NOT CONTROLLED FOR AUTOMATIC FEEDING.
- FOR APPLICATION DATA SEE THE INDIVIDUAL APPLICATION DRAWINGS.

PART NO	REV	N/P	TYPE	CONN	CPA
3506B231	02	AB	103	3506B225	333B063B
3506B230	02	AB	102	3506B224	333B063B
3506B228	02	AB	101	3506B223	333B063B

DIMENSIONAL RANGE (MM)	TOLERANCE UNLESS OTHERWISE SPECIFIED	CHART	ET
FROM 0 TO > 30	±0.15 ±0.2 ±0.3 ±0.4 ±0.5 ±0.6 ±0.8 ±1 ±1.2		
> 30 TO > 70	±0.2 ±0.3 ±0.4 ±0.5 ±0.6 ±0.8 ±1 ±1.2		
> 70 TO > 100	±0.3 ±0.4 ±0.5 ±0.6 ±0.8 ±1 ±1.2		
> 100 TO > 150	±0.4 ±0.5 ±0.6 ±0.8 ±1 ±1.2		
> 150 TO > 200	±0.5 ±0.6 ±0.8 ±1 ±1.2		
> 200 TO > 250	±0.6 ±0.8 ±1 ±1.2		
> 250 TO > 300	±0.8 ±1 ±1.2		
> 300 TO > 400	±1 ±1.2		

PART DRAWING	
STYLE	D
VOLUME (CM)	
DISTR CODE	
UNLESS OTHERWISE SPECIFIED	
THIS DOCUMENT IS IN ACCORDANCE WITH ASME Y14.5M-1994 AS MODIFIED BY THE 2003 GLOBAL DIMENSIONING AND FITTING PRACTICES (UNLESS OTHERWISE SPECIFIED)	
ALL DIMENSIONS ARE IN MILLIMETERS	
REFERENCE	
THIRD ANGLE PROJECTION	DO NOT SCALE USE MATH DATA

•APTIV•
CONNECTION SYSTEMS
Orem, UT, India
COPYRIGHT 2017 APTIV. ALL RIGHTS RESERVED.
THIS DRAWING IS THE PROPERTY OF APTIV AND CONTAINS APTIV CONFIDENTIAL INFORMATION. THE REPRODUCTION, DISTRIBUTION AND UTILIZATION OF THIS DOCUMENT OR ITS RELATED CAD DATA, AS WELL AS COMMUNICATION OF ANY CONTENT TO OTHERS, WITHOUT EXPRESS AUTHORIZATION, IS PROHIBITED.

DR	DATE
APVD1 S NAVEEN	15N017
APVD2 R RAMASWAMY	15N017
APVD3 E HOCEVAR	15N017
APVD4	
APVD5	

UNLESS OTHERWISE SPECIFIED
SUBSTANCES OF CONCERN AND RECYCLED CONTENT PER APTIV 10949001

MATERIAL: SEC DRAWING

DRAWING NAME: TAXI ASM CONN 8 F 0.50

DRAWING NUMBER: 35068227

SIZE: A0 SCALE: 8:1 FRAME NO: 1 OF 1 SHEET NO: 1 OF 1 STG REV N/P: R 04 -