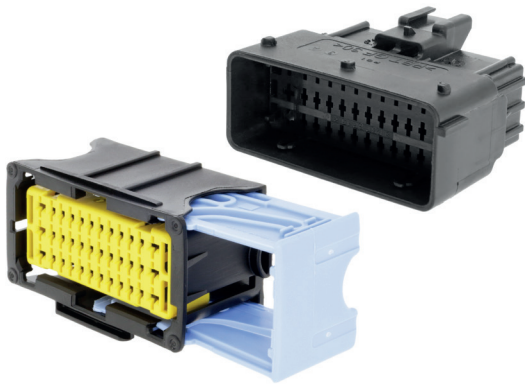


# SICMA INLINE UNSEALED SERIES



SICMA Inline Unsealed 36W  
Female & Male

## BENEFITS

- Reliable inline harness sectioning solution
- Compact male and female housings for convenient wire-to-wire mating

## FEATURES

- Mixed sizes of 1.5 and 2.8 mm terminals populating 24 and 36 Way connectors
- Standard fixing slide



## AVAILABLE CONFIGURATIONS

Cavity Count (ways)	10, 24, 36
Cavity Configurations (mm)	1.5, 2.8
Material	PBT
Genders	Female, Male

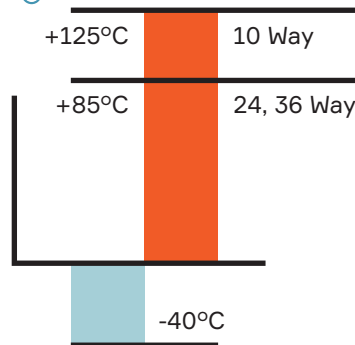


## APPLICATIONS

Harness sectioning in cockpit
Dashboard
Interior connections



## TEMPERATURE



## VIBRATION



## CONNECTOR MATING FORCE



10 Way



24 Way



36 Way

See back page for representative part numbers and packaging dimensions.

## About Aptiv

Aptiv is a global technology company that develops safer, greener and more connected solutions enabling a more sustainable future of mobility.

Visit [aptiv.com](https://www.aptiv.com) →



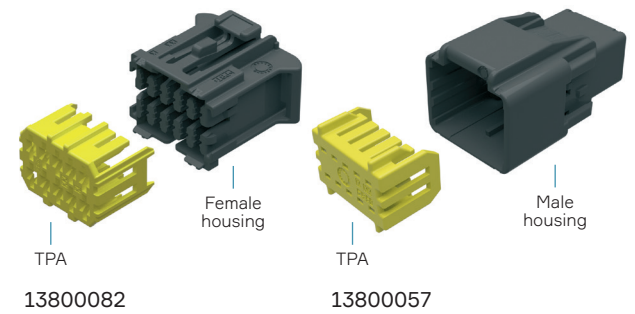
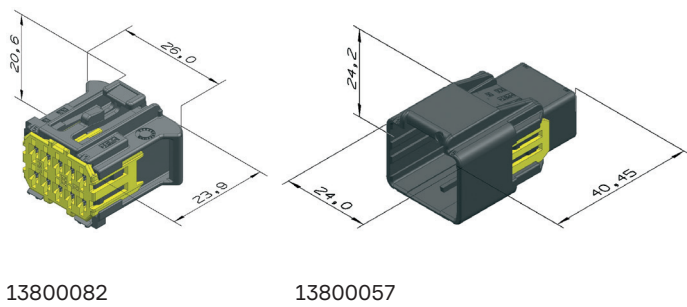
Cavity count	Blade size (mm)	Gender	Dimensions L x W x H (mm)	Part number	Color	Index	Indexes offered
10	1.5	F	36.85 x 26.95 x 29.70	13800082	Black	A	5
		M	24.20 x 24.00 x 40.45	13800057			
24	1.5 (18) + 2.8 (6)	F	49.10 x 32.65 x 33.30	13751295	Black	A	3
		M	49.10 x 32.65 x 43.90	33500326			
36	1.5 (30) + 2.8 (6)	F	60.84 x 34.40 x 28.70	33500789	Black	A	2
		M	54.20 x 25.30 x 47.15	13651194			



### DIMENSION MEASUREMENT SAMPLE



### EXPLODED VIEW



### COMPATIBLE WITH



Part numbers, specifications, dimensions and performance data in this document are for general references only and are subject to change without notice. To verify product information, please contact an Aptiv representative.