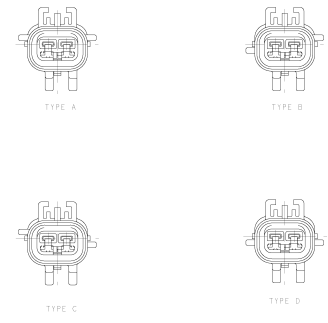
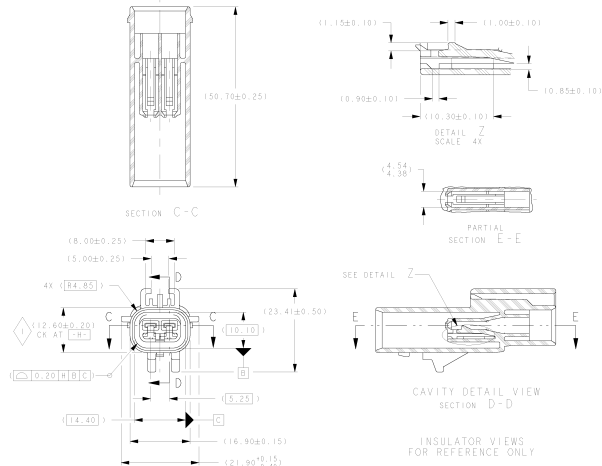
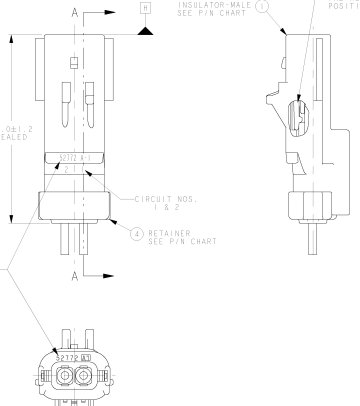
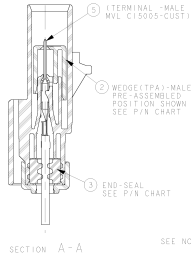
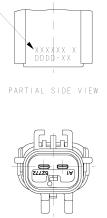


LAST 5 DIGITS OF 8 DIGIT P/N & PART CHANGE LEVEL (PCL) OR LAST 6 DIGITS OF 9 OR 10 DIGIT P/N & PART CHANGE LEVEL (PCL)
MFG. DATE CODE & ASSY MACHINE NO. LETTERING MUST BE LEGIBLE
OPTIONAL



POLARIZATION OPTIONS FULL SIZE

- NOTES:
- QUALITY ASSURANCE REQUIREMENTS PER CHRYSLER PS-7300: 1
 - ENGINEERING APPROVAL OF SUPPLIER SAMPLES IS REQUIRED PRIOR TO AUTHORIZATION OF PART PRODUCTION. REQUIRES PRIOR ENGINEERING APPROVAL
 - CHANGES IN DESIGN COMPOSITION OR PROCESSING FROM THE PART PREVIOUSLY APPROVED FOR PART PRODUCTION REQUIRES PRIOR ENGINEERING APPROVAL
 - WIRING FABRICATORS MUST PURCHASE FROM SOURCES SHOWN
 - ALL SEALED CONNECTOR APPLICATIONS MUST BE USED WITH CHRYSLER WIRE SPEC. MS-8088, MS-9502 OR ISO 4702 EQUIVALENTS THIN WALL X-LINK ONLY
 - A- ASSEMBLIES WITH THIN WALL P/N'S 54200204 OR 54200240 END SEALS MUST BE USED WITH 20 TO 10AWG OR ISO EQUIVALENTS WIRES WITH INSULATION Ø1.10 TO Ø1.27 O.D.
 - B- ASSEMBLIES WITH THIN WALL P/N'S 54200204 OR 54200240 END SEALS MUST BE USED WITH 14 TO 10AWG OR ISO EQUIVALENTS WIRES WITH INSULATION Ø1.50 TO Ø1.60 O.D.
 - ALL NON-SEALED APPLICATIONS MAY BE USED WITH ANY WIRE INSULATION 22 TO 10AWG OR ISO EQUIVALENTS (EXCEPT AS NOTED BELOW) PROVIDED THAT A TERMINAL STRIP FOR TIGHT CORE/INSULATION IS SHOWN ON C15005-CUST MALE TERMINAL DRAWING
 - NOTE: MAX. INSULATION CRIMP WIDTH = 4.50 MAX. INSULATION CRIMP HEIGHT = 4.50 MAX. INSULATION CRIMP DIA. = 4.09 (1.0 GA THIN WALL)
 - TEST METHOD PER PERFORMANCE SPEC SAE/JSCAR-2 REV.5, CONNECTOR ENGAGE & DISENGAGE WITH FEMALE LATCH DEPRESSED FORCE NOT TO EXCEED 75N FOR THIS SYSTEM
 - WEDGE SEATING FORCES - 100N MAX
 - X HAS TREE CLIP INSERTION FORCES - 75N MAX
 - DELPHI LOGO: MIN. SUPPLIER FORCE 52775, WELD & CAVITY I.D. SIGNIFIES TOOL OWNERSHIP OR FID LABEL FOR REFERENCE
 - ANNUAL QUALITY REQUIREMENTS: IT IS PERMISSIBLE TO PERFORM CONTINUOUS CONFORMANCE PER SPECIFICATION MOD-1001 INSTEAD OF ANNUAL LAUNCH & ANNUAL PV REQUIREMENTS OF QS-9000 SECTION 2 & SAE/JSCAR-2 REV.5
 - ALL NON-REFERENCE DIMENSIONS ARE REQUIRED
 - USE INDE A, BLACK SEALED AND UNSEALED FOR ALL AFFECTED INTERNAL CAVITIES
 - CURRENT PRODUCTION TOOLING
 - POINT OF LAST RUN
 - SERVICE TOLLING GUIDE INFORMATION PER AREA TRAINING MANUAL
 - MUST CONFORM TO THE FOLLOWING CHRYSLER/PSA STANDARDS:
 - SAE/JSCAR-2 REV.5
 - PS-7300 QUALITY ASSURANCE (CHRYSLER)
 - PS-9227 DATA EXCHANGE (CHRYSLER) - 10009 T (PSA)
 - PS-10052 INFORMATION SECURITY (CHRYSLER)
 - THIS DRAWING (145910) REPLACES CHRYSLER DRAWING NUMBER 348651 LEVEL 10009 T (DRAWING 15 FOR REFERENCE ONLY) FOR PREVIOUS CHANGES
 - P/N'S 54200240 AND 548651 BAKED AT 450°F FOR 5 HOURS TO DRIVE OFF VOLATILES

CHART - ASSEMBLY PART NUMBERS

CUSTOMER P/N S	WML NO. PCL PART NO. REV.	DELPHI
54200204 H	33500082 01	C 04687923
54200204 H	33500082 01	C 04687924
54200204 H	33500083 01	N/A
54200204 H	33500084 01	N/A
54200204 H	33500085 01	N/A
54200204 H	33500086 01	N/A
54200204 H	33500087 01	N/A
54200204 H	33500088 01	N/A
54200204 H	33500089 01	N/A
54200204 H	33500090 01	N/A
54200204 H	33500091 01	N/A
54200204 H	33500092 01	N/A
54200204 H	33500093 01	N/A
54200204 H	33500094 01	N/A
54200204 H	33500095 01	N/A

CHART - ASSEMBLY PART NUMBERS SEALED

CUSTOMER P/N S	WML NO. PCL PART NO. REV.	DELPHI
54200223 H	33500086 01	C 04687923
54200224 M	33500088 01	N/A
54200225 M	33500089 01	N/A
54200226 M	33500089 01	N/A
54200227 M	33500089 01	N/A
54200228 M	33500089 01	N/A
54200229 M	33500089 01	N/A
54200230 M	33500089 01	N/A
54200231 M	33500089 01	N/A
54200232 M	33500089 01	N/A
54200233 M	33500089 01	N/A
54200234 M	33500089 01	N/A
54200235 M	33500089 01	N/A

MATING PART NUMBERS CHART FOR REFERENCE

INDEX TYPE	COLOR	SEALED/UNSEALED	MVL	DELPHI	CUSTOMER	YMA	MVL	DELPHI	CUSTOMER	YNA
D	NATURAL	UNSEALED	55200209	33500207	DIRECT CONNECT APPLICATION	N/A	54200209N	33511310	N/A	N/A
		SEALED	55200209	33500207	DIRECT CONNECT APPLICATION	N/A	54200203	33500081	C 04687920	7283-5373
		SEALED	54200276	33511320	N/A	N/A	F970510	33511323	N/A	N/A
		SEALED	54200276	33500089	DIRECT CONNECT APPLICATION	N/A	54200262	13585482	N/A	N/A
		SEALED	55200205	33500205	DIRECT CONNECT APPLICATION	N/A	54200209N	33511315	N/A	N/A
		SEALED	55200205	33500205	DIRECT CONNECT APPLICATION	N/A	54200208	13768819	C 04687916	7283-5375
	DK GREY	UNSEALED	55200208	33500206	DIRECT CONNECT APPLICATION	N/A	54200202N	33511309	N/A	N/A
		SEALED	55200208	33500206	DIRECT CONNECT APPLICATION	N/A	54200202	33500080	C 06687919	7283-5372-10
		SEALED	54200275	33511321	N/A	N/A	F870510	33511322	N/A	N/A
		SEALED	54200275	33500088	DIRECT CONNECT APPLICATION	N/A	54200261	13585481	N/A	N/A
		SEALED	55200204	33500204	DIRECT CONNECT APPLICATION	N/A	54200208N	33511314	N/A	N/A
		SEALED	55200204	33500204	DIRECT CONNECT APPLICATION	N/A	54200208	13648326	C 04687914	7283-5374-10
C	DK BROWN	UNSEALED	54200205	33500083	N/A	54200201N	33511308	N/A	N/A	
		SEALED	54200205	33500083	C 04687924	N/A	54200201	13581772	C 04687918	7283-5371-05
		SEALED	54200205	33511324	N/A	N/A	F770510	33511321	N/A	N/A
		SEALED	54200274	33500087	N/A	N/A	54200200	13585480	N/A	N/A
		SEALED	54200274	33500087	N/A	N/A	54200207N	33511313	N/A	N/A
		SEALED	54200271	10751670	C 04687922	N/A	54200207	15380781	C 04687913	7283-5359-40
B	LT GREY	UNSEALED	DIRECT CONNECT APPLICATION			54200251	33511306	C 04688293AA	N/A	
		SEALED	54200233	33500085	N/A	N/A	54200212N	33511316	N/A	
		SEALED	54200233	33500085	C 0468813AA	N/A	54200212	13581961	C 04688917	7283-5367-05
		SEALED	54200204	33500082	N/A	N/A	54200209N	33511307	N/A	
		UNSEALED	54200204	33500082	C 04687923	N/A	54200200	13649300	C 04688917	7283-5358-30
		SEALED	54200210	15488574	C 04687921	7282-5292-30	54200206	10757672	C 04687912	7283-5292-30
A	BLACK	SEALED	54200215	33511325	N/A	54200213N	33511317	N/A		
		SEALED	54200215	33511325	C 04793833	N/A	54200214N	13802855	C 56021913AA	7283-6210-30
		SEALED	DIRECT CONNECT APPLICATION			54200214N	33500084	C 04793832	N/A	
		SEALED	54200214N	13802855	C 56021913AA	7283-6210-30	54200214N	33500084	C 04793832	
		SEALED	54200214N	13802855	C 56021913AA	7283-6210-30	54200214N	33500084	C 04793832	
		SEALED	54200214N	13802855	C 56021913AA	7283-6210-30	54200214N	33500084	C 04793832	
DK GRN	SEALED	54200273	33500086	N/A	N/A	55200200	13596027	N/A	7283-8377-60	
		54200273	33500086	N/A	N/A	55200200N	33511319	N/A		
		54200273	33500086	N/A	N/A	55200200N	33511319	N/A		
		54200273	33500086	N/A	N/A	55200200N	33511319	N/A		
		54200273	33500086	N/A	N/A	55200200N	33511319	N/A		
		54200273	33500086	N/A	N/A	55200200N	33511319	N/A		

TEMPERATURE CLASS 3

REQUIRED	WML NO.	DELPHI	COLOR	ITEM	PART NAME (MATERIAL)	INDEX	MVL NO.	DELPHI	COLOR	REQUIRED
I	54200224	15537303	BLACK	1	INSULATOR PARAFIT	A	54200267	15537451	DRN	I
I	54200232	15537321	LT GREEN	1	INSULATOR PARAFIT	B	54200268	15537454	DR BLUE	I
I	54200226	15537308	LT GREY	1	INSULATOR PARAFIT	C	54200269	15537456	DR BROWN	I
I	55200206	15537440	DK GREY	1	INSULATOR PARAFIT	D	54200270	15537458	TAN	I
I	55200207	15537442	NATURAL	1	INSULATOR PARAFIT	E	54200298	15537463	NATURAL	I
I	54200235	15537421	RED	2	WEDGE (TPA) MALE PRE-ASSEMBLED POSITION SHOWN		54200240	15537437	OFF	I
I	54200239	15537434	LT BLUE	3	END SEAL SILICONE		54200240	15537437	OFF	I
I	54200241	15537441	BURNT ORANGE	3	END SEAL SILICONE		F480510	N/A	WHITE	I
I	54200234	15537420	BLACK	3	END SEAL SILICONE		54200271	15537460	NATURAL	I
I	54200242	15537443	RETAINER	4	RETAINER PARAFIT		54200271	15537460	NATURAL	I

CONNECTOR ASSEMBLY TEMPERATURE CLASS PER SAE/JSCAR-2 REV.5

4	4	4	4	4	4	4	4	4	4	4
---	---	---	---	---	---	---	---	---	---	---

CUSTOMER LEGENDS:
CHRYSLER: C
FORD: F
GENERAL MOTORS: GM
TAZAKI: Y

SEE NOTE

DELPHI LOGO: MIN. SUPPLIER FORCE 52775, WELD & CAVITY I.D. SIGNIFIES TOOL OWNERSHIP OR FID LABEL FOR REFERENCE

ANNUAL QUALITY REQUIREMENTS: IT IS PERMISSIBLE TO PERFORM CONTINUOUS CONFORMANCE PER SPECIFICATION MOD-1001 INSTEAD OF ANNUAL LAUNCH & ANNUAL PV REQUIREMENTS OF QS-9000 SECTION 2 & SAE/JSCAR-2 REV.5

ALL NON-REFERENCE DIMENSIONS ARE REQUIRED

USE INDE A, BLACK SEALED AND UNSEALED FOR ALL AFFECTED INTERNAL CAVITIES

CURRENT PRODUCTION TOOLING

POINT OF LAST RUN

SERVICE TOLLING GUIDE INFORMATION PER AREA TRAINING MANUAL

MUST CONFORM TO THE FOLLOWING CHRYSLER/PSA STANDARDS:
SAE/JSCAR-2 REV.5
PS-7300 QUALITY ASSURANCE (CHRYSLER)
PS-9227 DATA EXCHANGE (CHRYSLER) - 10009 T (PSA)
PS-10052 INFORMATION SECURITY (CHRYSLER)

THIS DRAWING (145910) REPLACES CHRYSLER DRAWING NUMBER 348651 LEVEL 10009 T (DRAWING 15 FOR REFERENCE ONLY) FOR PREVIOUS CHANGES

P/N'S 54200240 AND 548651 BAKED AT 450°F FOR 5 HOURS TO DRIVE OFF VOLATILES

13-043361 ALL 000 437007 - ALL PARTS - UPDATED "MIL SUPPLIER CODE, WELD & CAVITY I.D." NOTE

12-013438 FB APPLICATION WIRE NOTES REFER TO METRIC EQUIVALENT WIRE APPLICATION FOR 5400240 FOR CEN. CONFORMS TO 14.00 GAWG.

12-1004 803 CONDUCTOR REQUIREMENTS P/N'S 728501 TO 728504 AND THE "DR" P/N PREFIX APPLIES FOR FORM 1404 & 141000 APPLICATION. CONNECTED P/N'S 728501 TO 728504 MUST BE MATCHED IN ORDER AT SEV. M. ASSEMBLY P/N CHARTS LISTED. NOTES VENDOR AND WIA 40000

12-00088 ALL REVISED AND REBORN IN PRO. SEE REV. NO. FOR PREVIOUS CHANGES. REV. NOT APPLICABLE

DELPHI LOGO: MIN. SUPPLIER FORCE 52775, WELD & CAVITY I.D. SIGNIFIES TOOL OWNERSHIP OR FID LABEL FOR REFERENCE

28 AMP CONNECTOR SYSTEM SERIAL RELEASED S