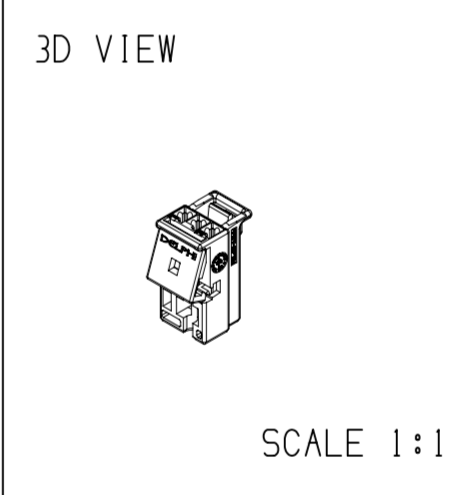


NOTE	SPECIFICATIONS
1	FEMALE CONNECTOR ACCORDING TO APTIV SPECIFICATION: CAQE TBD
2	FEMALE CONNECTOR ACCORDING TO: - TEMPERATURE CLASS TX - ENGINE VIBRATOR CLASS VX - SEALING CLASS EX
3	USER'S MANUAL: 13543913-CUS76-S01
4	DELIVERY CONNECTOR WEIGHT : SEE TABLE
5	NO WAFER HINGE OR WAFER HINGE BROKEN ALLOWED
6	VISUAL DEFECTS ON NO FUNCTIONAL AREAS ALLOWED
△	MATERIAL NAME
△	TOOL CAVITY NUMBER
△	INDEX REPLACEMENT INSERT
△	PART CAVITY NUMBER
△	SUPPLIER LOGO
△	REPLACEMENT INSERT BLANK
△	DATE INSERT

ASSOCIATED PARTS (FOR INFORMATION)					
DESCRIPTION	APTIV P/N	WIRE SECTION	DIAMETER OF WIRE SIZE		
MATING PART	-	-	-		
FEMALE TERMINAL MTS 0.63	13580635	0.75mm ²	1.9		
RECEPTACLE HOUSING 3 WAY	C	13543912	0.00078	PBT GF10	BLUE
	B	13543911	0.00078	PBT GF10	NATURE
	A	13543910	0.00078	PBT GF10	BLACK
DESCRIPTION	CODE	APTIV PART NUMBER	WEIGHT (kg)	MATERIAL	COLOR

DIM TO CHECK	DIMENSIONAL RANGE (MM)	CHART	EL
FROM TO	> 0 > 20 > 30 > 70 > 100 > 150 > 200 > 250 > 300 > 400		
() DIM FOR HELP	TOLERANCE UNLESS OTHERWISE SPECIFIED		
□ THEORETIC DIM	±0.15 ±0.2 ±0.3 ±0.4 ±0.5 ±0.6 ±0.8 ±1 ±1.2		

DWG STATUS				ZONE	REVISION HISTORY				AUTH	DR	APVD 1	APVD 2
DATE	STG	REV	N/P/CHG		INITIAL RELEASE					P.BAL	M.LAG	M.LAG
17DE21	R	01										



DWG TYP: CUSTOMER PART DRAWING

WEIGHT (GR): SEE TABLE

VOLUME (CM³): ---

ROUTING: ---

UNLESS OTHERWISE SPECIFIED

GENERAL TOLERANCES ACCORDING TO: SEE CHART

GD&T ACCORDING TO: ISO 1101

REFERENCE: ---

FIRST ANGLE PROJECTION

DO NOT SCALE USE MATH DATA

• APTIV •

CONNECTION SYSTEMS
Chennai, India
COPYRIGHT 2021 APTIV. ALL RIGHTS RESERVED.

THIS DRAWING IS THE PROPERTY OF APTIV AND CONTAINS APTIV CONFIDENTIAL INFORMATION. THE REPRODUCTION, DISTRIBUTION AND UTILIZATION OF THIS DOCUMENT OR ITS RELATED CAD MATH DATA, AS WELL AS COMMUNICATION OF ANY CONTENT TO OTHERS, WITHOUT EXPRESS AUTHORIZATION, IS PROHIBITED.

DR	DATE
P.BALAJI	17DE21
APVD1: LAGUETTE MAURICE	17DE21
APVD2: LAGUETTE MAURICE	17DE21
APVD3	
APVD4	
APVD5	

SUBSTANCES OF CONCERN AND RECYCLED CONTENT PER APTIV 10949001

MATERIAL: SEE TABLE

DRAWING NAME: RECEPTACLE HOUSING 3 WAY FOR MTS/MQS 0.63

DRAWING NUMBER: 13543913

SIZE	SCALE	FRAME NO	SHEET NO	STG	REV	N/P
A1	5:1	1 OF 1	1 OF 1	R	01	

Part: 02543913-CUS03-S01/01 Date: 14-Mar-22 Time: 10:22:47
P:\5\MB_031\42022_05\51_983posss_cus