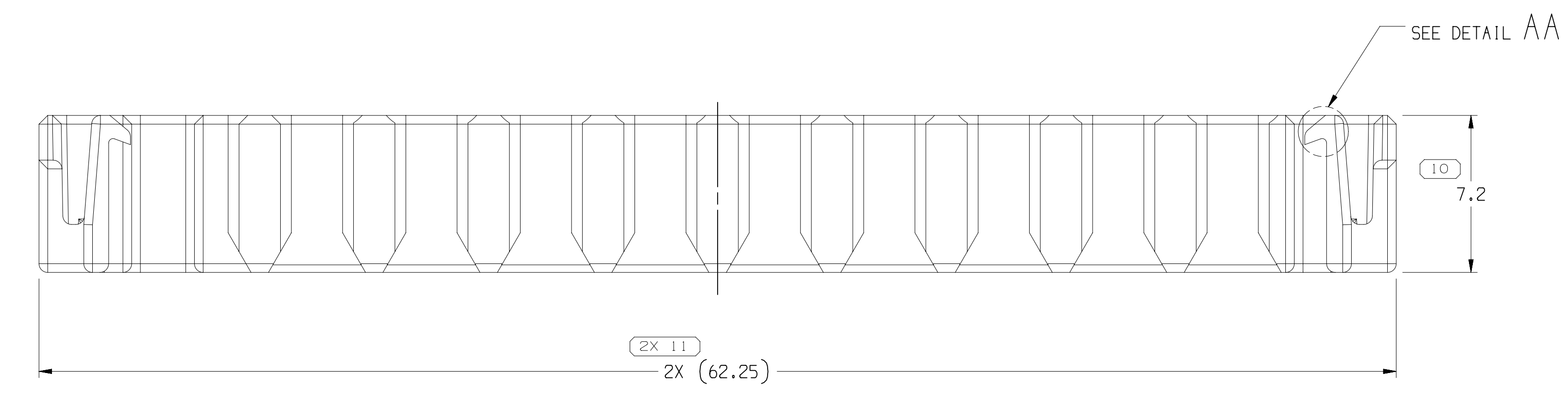
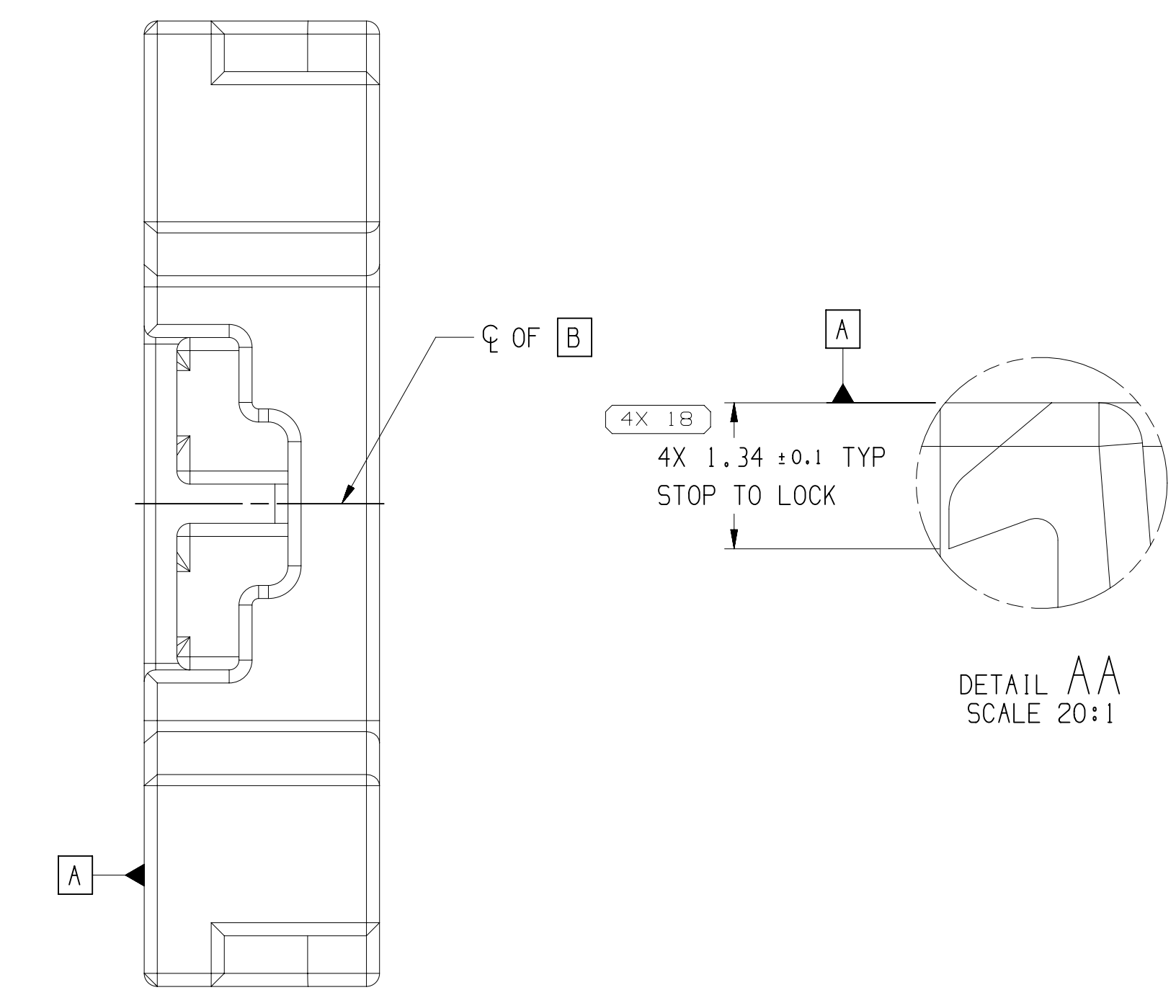
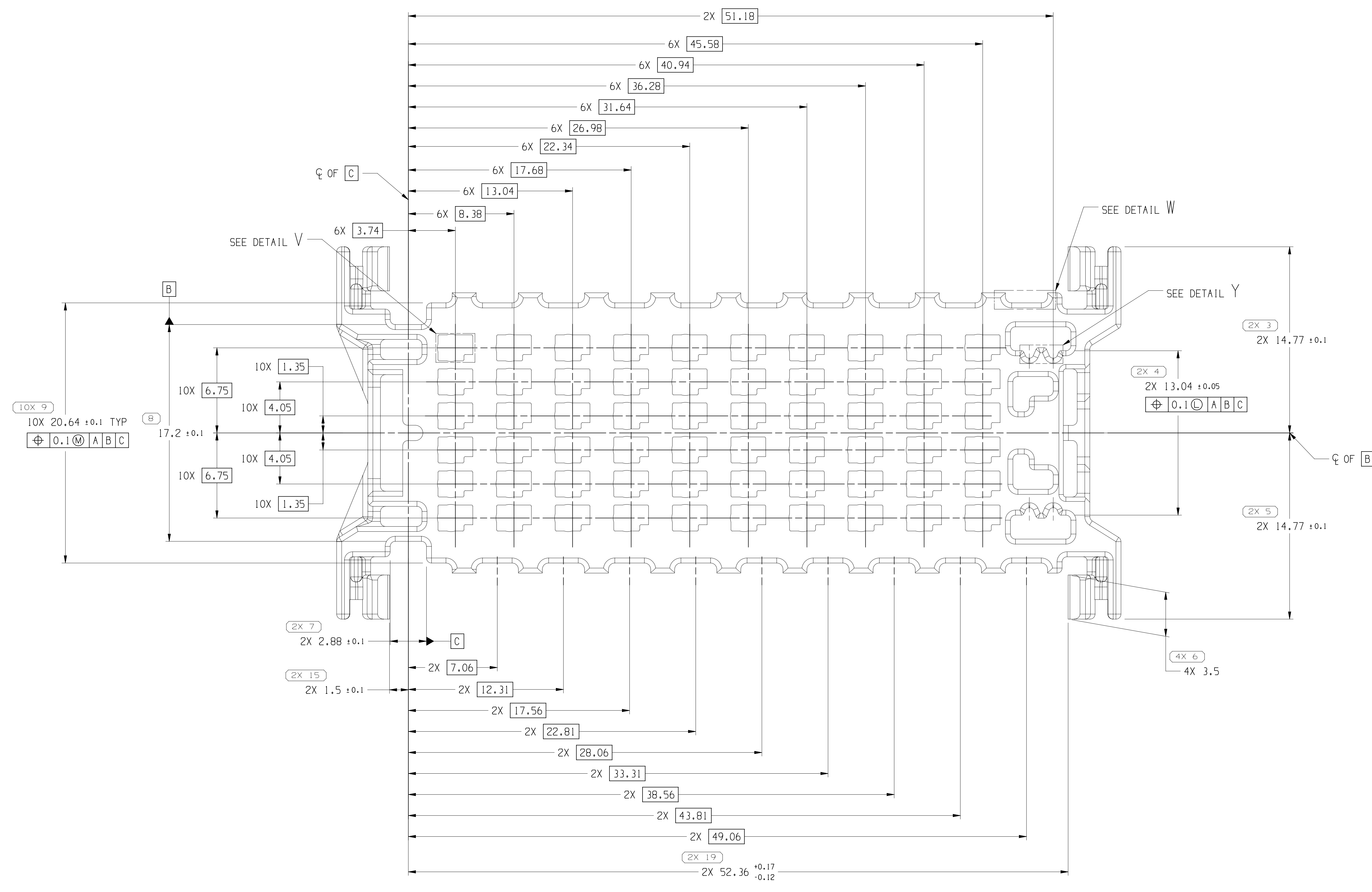
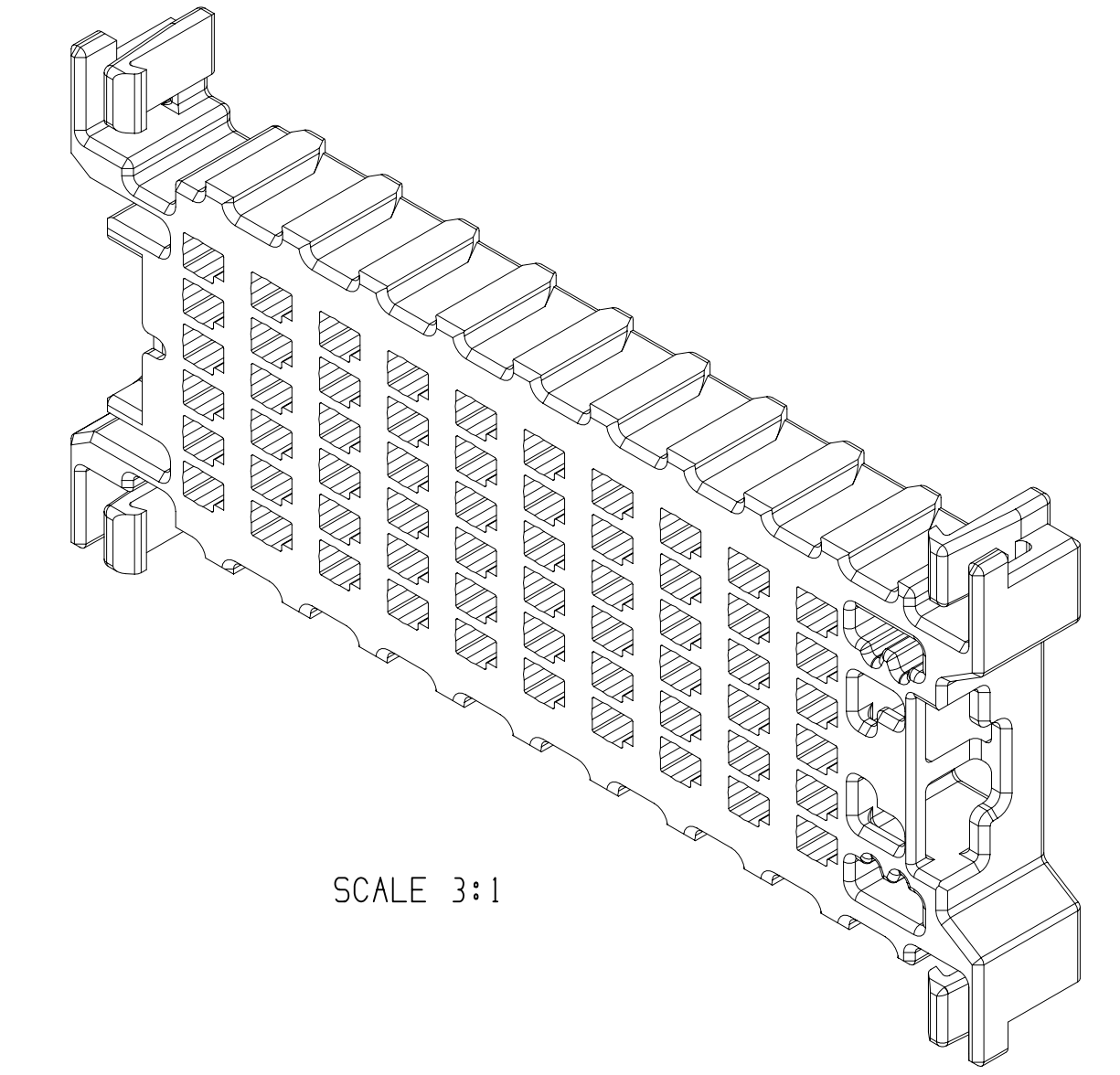
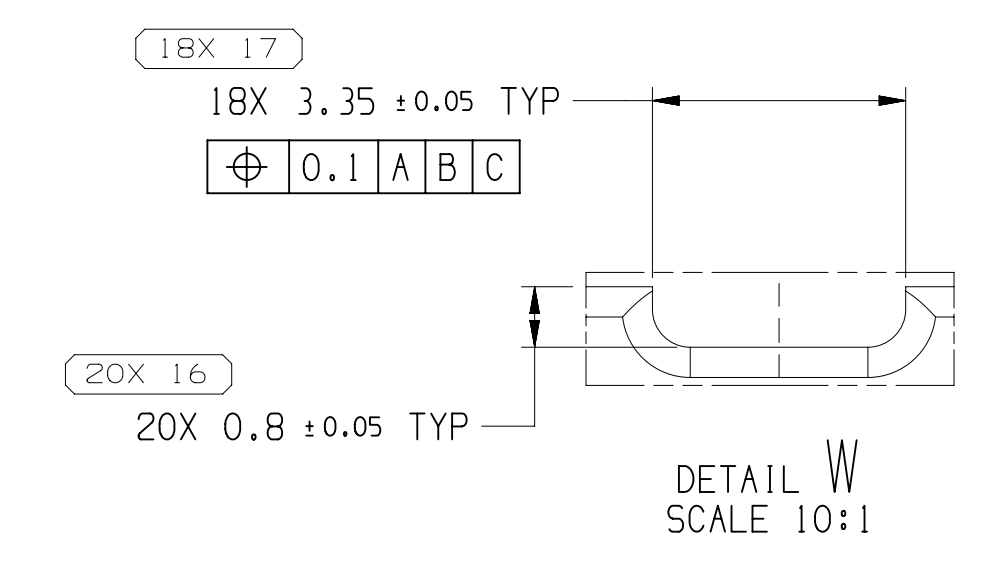
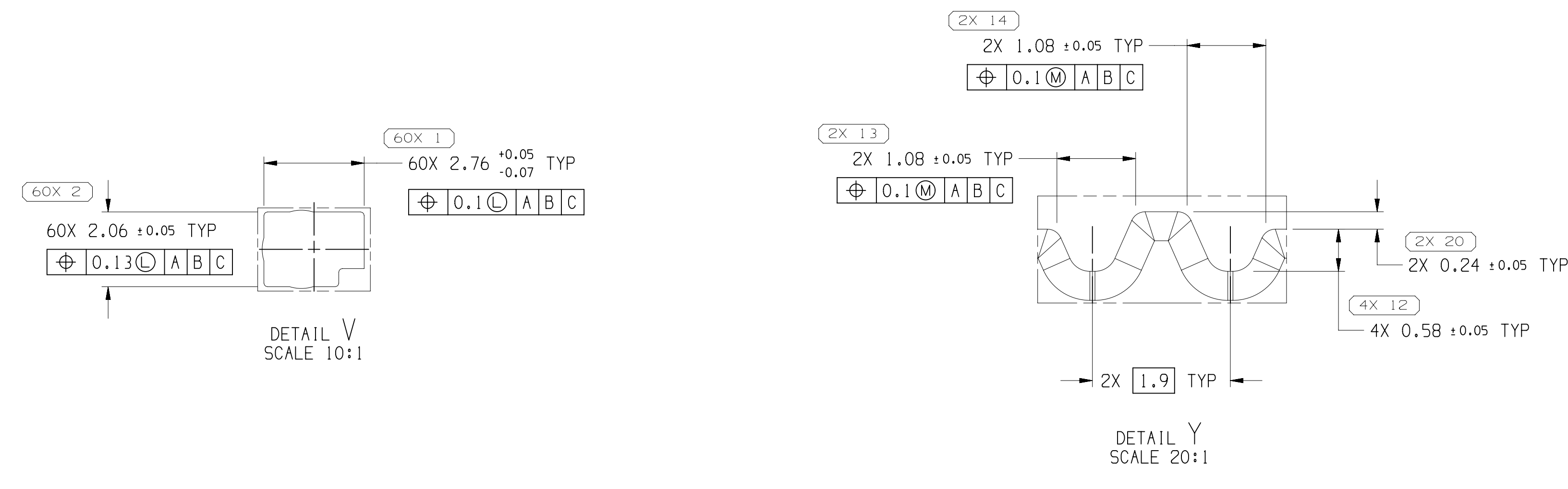


SYMBOL DEFINITION		TOTAL NO OF INSPECTIONS REQUIRED	MISSING SYMBOLS
A DIMENSION WITHOUT AN INSPECTION REPORT SYMBOL DOES NOT REQUIRE INSPECTION. IT MAY BE CONTROLLED ON THE INDIVIDUAL COMPONENT DRAWING.		202	NO MISSING SYMBOL NUMBER
		LAST NO. USED	20

DWS STATUS		ZONE		REVISION HISTORY		AUTH		DR		APVD	
DATE	STG	REV	N/P	CHG							
060C21	R	01	-	-	WAS PE507731 AND RELEASED PART DRAWING	555534	CGD	CGD	EDA		
130C21	R	01	AA	-	REVISED NOTE #3	555626	CGD	CGD	EDA		
03AU22	R	02	-	-	2X 1.08 ± 0.05 TYP WAS 2X 0.98 ± 0.05 TYP (2 PLCS), 2X 13.04 ± 0.05 WAS 3X 13.04 ± 0.05 AND ADDED DIM #20	558175	LVD	EVV	MRA		
17JA23	R	02	AA	-	REVISED GD&T POSITION CONTROL ON DIM #2, 2X 52.36 ± 0.177 ± 0.12 WAS 2X 52.36 ± 0.15 AND 60X 2.76 ± 0.05/-0.07 TYP WAS 60X 2.76 ± 0.05 TYP	559386	CGD	CGD	EDA		
26AP23	R	02	AB	-	UPDATED PART AVAILABILITY IPN WAS NOT AVAILABLE!	560138	ORA	GLB	EDA		



- NOTES
- UNLESS OTHERWISE SPECIFIED AND/OR INDICATED: DIMENSIONS ARE TO FACE OF VIEW SHOWN AND AUTOMATICALLY ROUNDED BY COMPUTER FOR INSPECTION (SEE MATH MODEL FOR PRECISE DIMENSIONS). FOR ALL OTHER DIMENSIONS NOT SHOWN BUT REQUIRED FOR TOOL BUILD, SEE MATH MODEL FOR PRECISE TOOL PATH DATA.
 - THIS PRODUCT IS NOT CATEGORIZED AS AN APPEARANCE ITEM, MINOR IMPERFECTIONS INCLUDING, BUT NOT LIMITED TO, FLOW MARKS, COLOR BLEMISHES, GATE VESTIGE, AND SOFT FLASH THAT DO NOT AFFECT THE FIT, FORM, OR FUNCTION OF THE PART ARE PERMISSIBLE PER ESNP.4-3-CS.01.EN.
 - REFERENCE MATING COMPONENTS OR EQUIVALENT:
TAX1 CONN 35559839 AND 35559849
TAX1 ISL 35559844
 - CORPORATE BRAND TO BE APPLIED TO PRODUCT DESIGN PER THE LATEST REVISION OF ESD S1085201.

INDICATES THAT PHYSICAL PARTS ARE NOT AVAILABLE FOR ORDERING.	
PART NUMBERS THAT DO NOT HAVE A LINE PRESENT INDICATE THAT PHYSICAL PARTS ARE AVAILABLE FOR ORDERING.	
CONTACT APTIV SALES TO ASSURE AVAILABILITY OF PARTS.	
DWG TYPE	PART DRAWING
STYLE	
VOLUME (CM)	5.523
DISTR CODE	D
UNLESS OTHERWISE SPECIFIED THIS DOCUMENT IS IN ACCORDANCE WITH ASME Y14.5-2019. SEE APTIV ENGINEERING DESIGN STANDARD 06-2017 FOR ISO 1101:2004 DIMENSIONAL REQUIREMENTS.	
ALL DIMENSIONS ARE IN MILLIMETERS	
REFERENCE	

• APTIV •
CONNECTION SYSTEMS
WARREN, OH
COPYRIGHT 2021 APTIV. ALL RIGHTS RESERVED.
THIS DRAWING IS THE PROPERTY OF APTIV AND CONTAINS APTIV CONFIDENTIAL INFORMATION. THE REPRODUCTION, DISTRIBUTION AND UTILIZATION OF THIS DOCUMENT OR ITS RELATED CAD DATA, AS WELL AS COMMUNICATION OF ANY CONTENT TO OTHERS, WITHOUT EXPRESS AUTHORIZATION, IS PROHIBITED.

DR	DATE
APVD1 CARLOS DELGADILLO	060C21
APVD2 CARLOS DELGADILLO	060C21
APVD3 EDUARDO DIAZ A.	060C21
APVD4	
APVD5	

MATERIAL: PLASTIC POLYESTER COMPOUND BLACK

DRAWING NAME: CONN 80 M/F CTS 280 OCS 1.2 MODULAR

DRAWING NUMBER: 35559841

SIZE: A0 SCALE: 6:1 FRAME NO: 1 OF 1 SHEET NO: 1 OF 1 REV: 02 AB

DIMENSIONS (MM) RANGE		CHART	
FROM	TO	ET	ET
> 0	> 20	> 30	> 70
> 20	> 30	> 70	> 100
> 30	> 70	> 100	> 150
> 70	> 100	> 150	> 200
> 100	> 150	> 200	> 250
> 150	> 200	> 250	> 300
> 200	> 250	> 300	> 400
TOLERANCE (UNLESS OTHERWISE SPECIFIED)			
±0.15 ±0.2 ±0.3 ±0.4 ±0.5 ±0.6 ±0.8 ±1 ±1.2			
ANGULAR TOLERANCE ±2°			