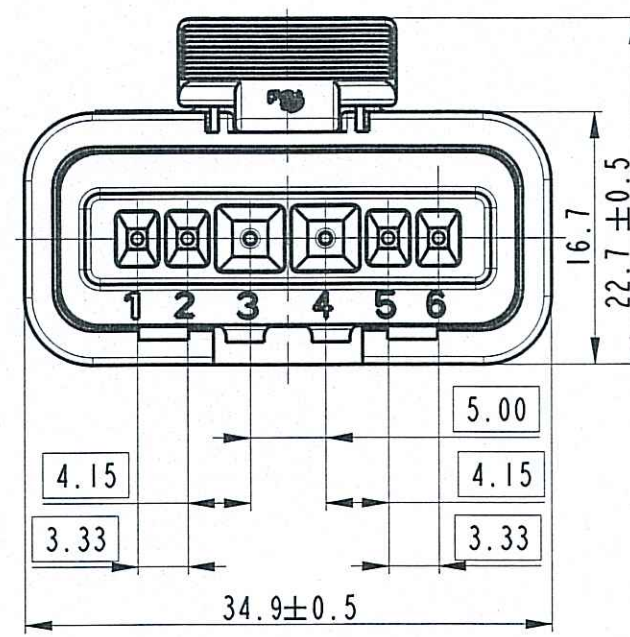
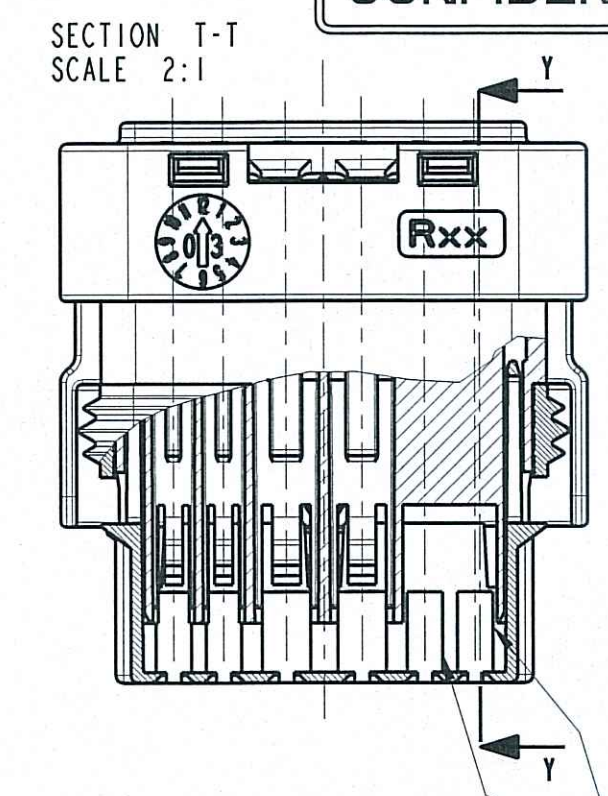
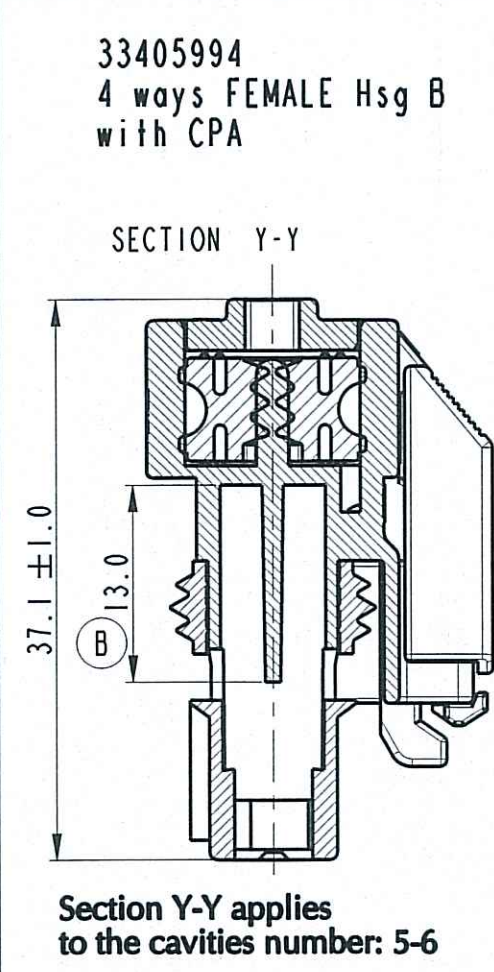
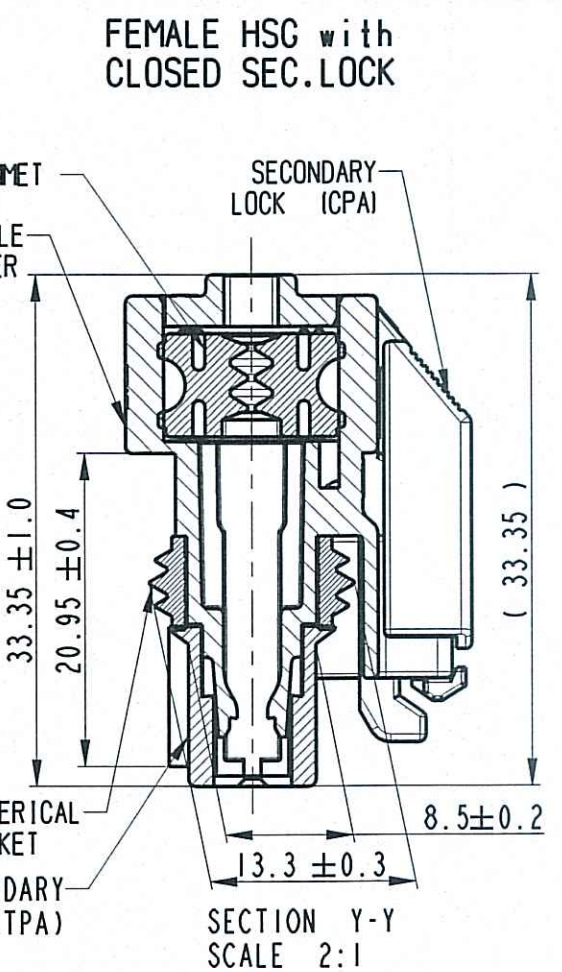
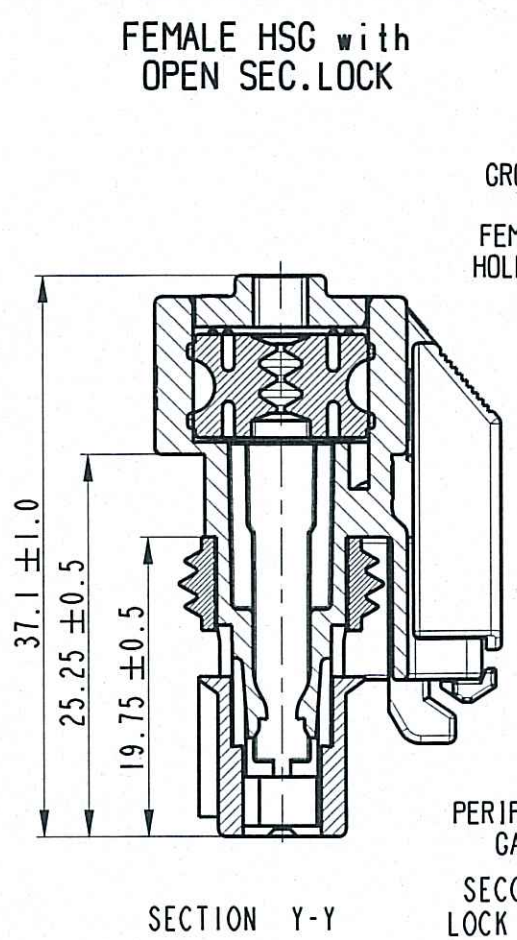
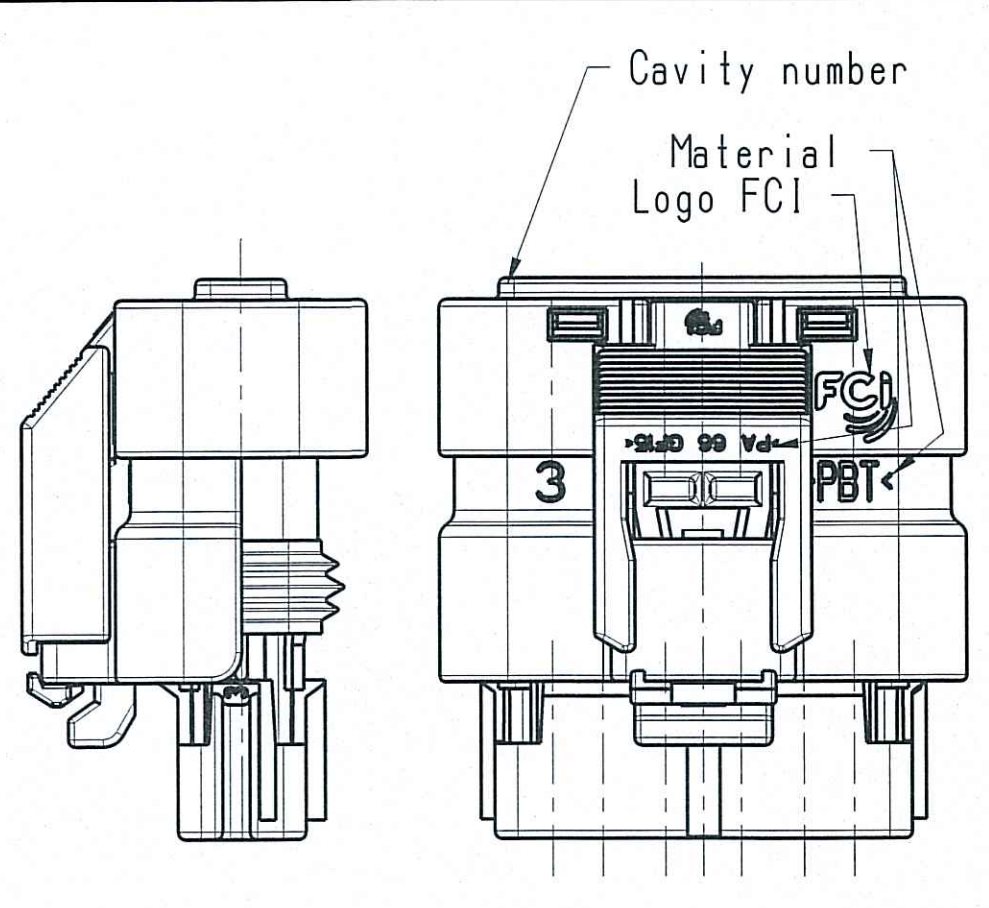
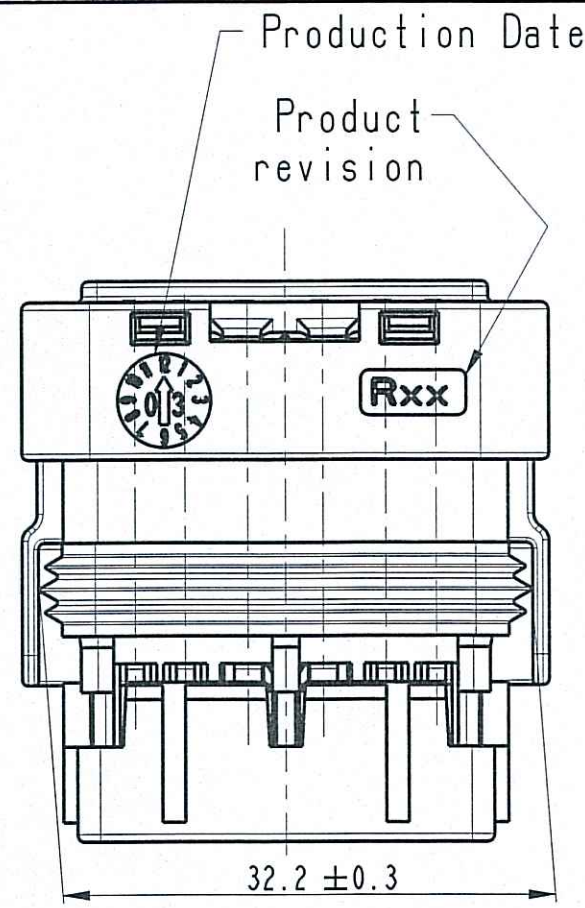


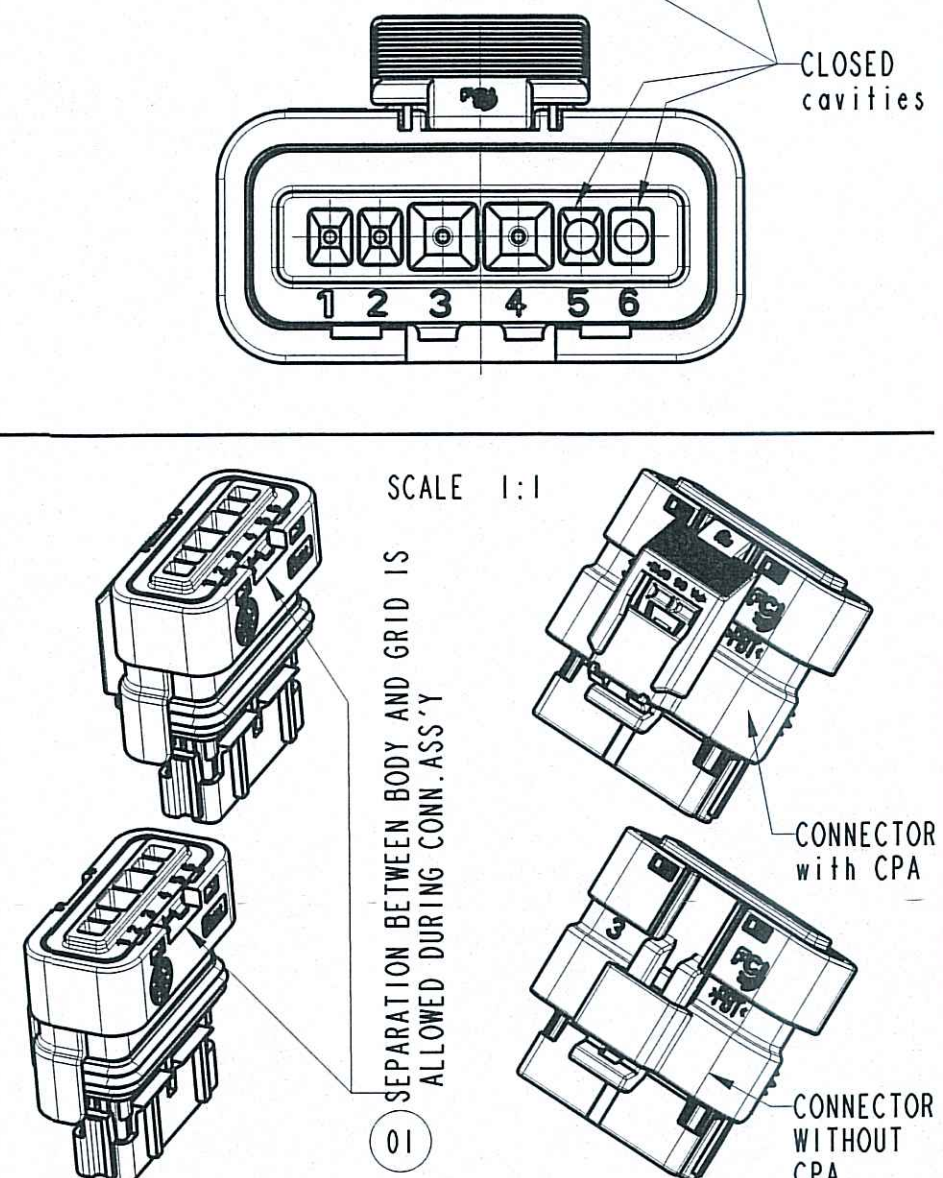
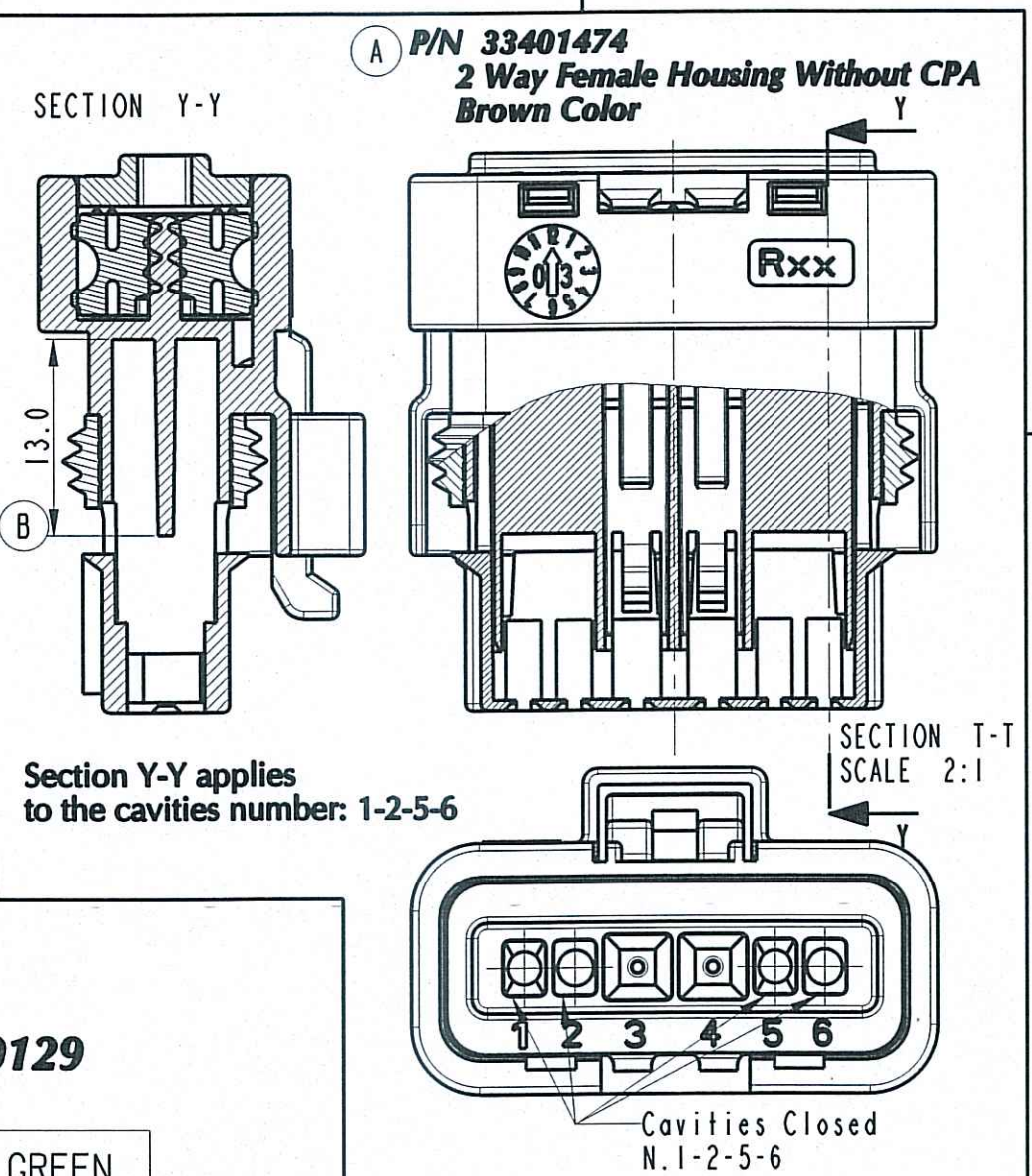
STRICTLY CONFIDENTIAL



FEMALE TERMINALS USED						
the MIN and the MAX wires range used for these applications.						
	P/Ns for Customer FIAT	TYPE	CAVITY	GAMME	MATERIAL	WIRE SECTION
SICMA2	17060001 13813821 Rev01 B	2.8 x 0.8	3 - 4	1	CuMgI	MIN 0.75 mm ² MAX 2.5 mm ²
	17060000 13569604 Rev01 C	2.8 x 0.8		2	CuMgI	MIN 1.0 mm ² MAX 4.0 mm ²
	17060002 33510529 Rev01	2.8 x 0.8	3	CuMgI	MIN 3.0 mm ² MAX 4.0 mm ²	
SICMA3	211CC2S1160 10740374 Rev01 A	1.5 x 0.8	1 - 2 5 - 6	1	CuFe2P	MIN 0.35 mm ² MAX 0.75 mm ²
	211CC2S2160 10756749 Rev01 A	1.5 x 0.8		2	CuFe2P	MIN 1.0 mm ² MAX 2.0 mm ²

NOTE:

- In the below table are showed the min and the max wires range used for these applications.
- (*) The Sealing Plug in not included of connector.



N.B. FOR THE INTERFACE SEE DRAWING FSD310129

NOT APPLICABLE	(*)	(*)	(*)	(*)	SEALING PLUG	PBT NO G.F.	GREEN
X	X	X	X	X	SECONDARY LOCK (TPA)	PBT 15% G.F.	YELLOW
NOT APPLICABLE	NOT APPLICABLE	NOT APPLICABLE	NOT APPLICABLE	NOT APPLICABLE	SECONDARY LOCK (TPA)	PBT 15% G.F.	VIOLET
X	X	X	X	X	PERIPHERICAL GASKET	SILICONE 4% OIL	BLUE
NOT APPLICABLE	X	NOT APPLICABLE	X	NOT APPLICABLE	SECONDARY LOCK (CPA)	PBT 15% G.F.	YELLOW
X	X	X	X	X	GROMMET	SILICONE 2% OIL	GREEN
X	NOT APPLICABLE	NOT APPLICABLE	NOT APPLICABLE	NOT APPLICABLE	2 ways FEMALE Hsg		BROWN
NOT APPLICABLE	X	X	NOT APPLICABLE	NOT APPLICABLE	4 ways FEMALE Hsg	PBT NO G.F.	BLACK
NOT APPLICABLE	NOT APPLICABLE	NOT APPLICABLE	X	X	6 ways FEMALE Hsg		GREY
		17260475	17260675A	17260675	MVL P/Ns		
33401474	33405994	13624447	33503780	13826420	DELPHI P/Ns	MATERIAL	COLOUR
2 Way Female Hsg without CPA	4 Way Female Hsg with CPA	4 Way Female Hsg without CPA	6 Way Female Hsg with CPA	6 Way Female Hsg without CPA	DESCRIPTION		

03 04

ECN-NO.	DATE	DD / MM / YY	REVISION	POSITION	CHANGE DESCRIPTION	DRAWN BY	BY	APPR. BY
15-11764	19-02-2015		C	A11 / H4	Replaced the part number 17260475A With new part number 33405994	F.G.		M.C.
14-11014	04-12-2014		B	G4 / E5	Modified ribs that close the cavities only for 2 Way and 4 Way version and added DELPHI part numbers	F.G.		M.C.
13-00830	29-05-2013		A	-	Added new part number for 2 Way opened	F.G.		M.C.
19-10	24/09/10		05	E7	Update material was CuFe2P	G.B.		M.C.
49-2007	19-06-'07		04	C-10	Modified assemblies: P/Nbrs 17260675 and 17260675A	E.C.		M.C.
25-2007	20-03-'07		03	C-10	Added TPA yellow per P/Nbrs 17260475 and 17260475A	E.C.		M.C.
05-07	18-01-'07		02		REVISED TERMINALS TABLE	E.C.		M.C.
80-06	03-11-'06		01	DE-5	ADDED NOTE	E.C.		M.C.
40-06	05-06-'06		00		INITIAL ISSUE	E.C.		M.C.
ECN-NO.	DATE	DD / MM / YY	REVISION	POSITION	CHANGE DESCRIPTION	DRAWN BY	BY	APPR. BY
IPS 323								
IPS 314								

DELPHI
 DELPHI PACKARD ELECTRICAL/ELECTRONIC ARCHITECTURE
 TORINO, ITALY

DO NOT SCALE DRAWING
 DATE: 25/03/06
 NAME: E.Cini
 TITLE: ASSEMBLY 2-4-6 WAY FEMALE HOUSING (SEALED) MINISEALED FAMILY

DRAWING NUMBER: FSD 309909

SCALE: 1-1