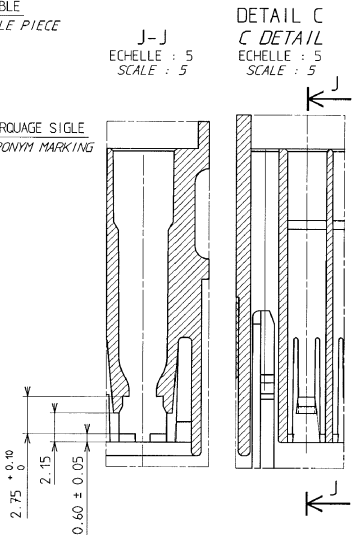
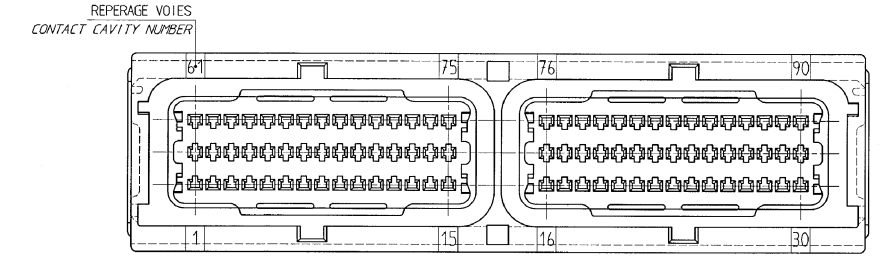
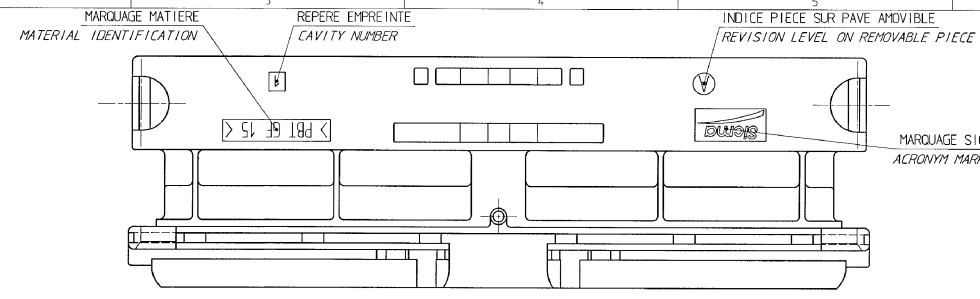


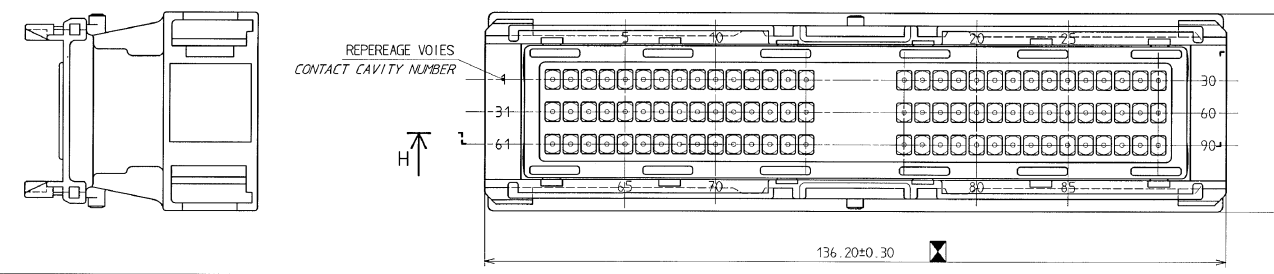
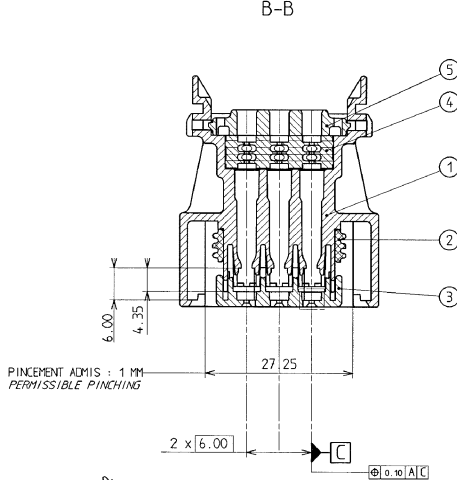
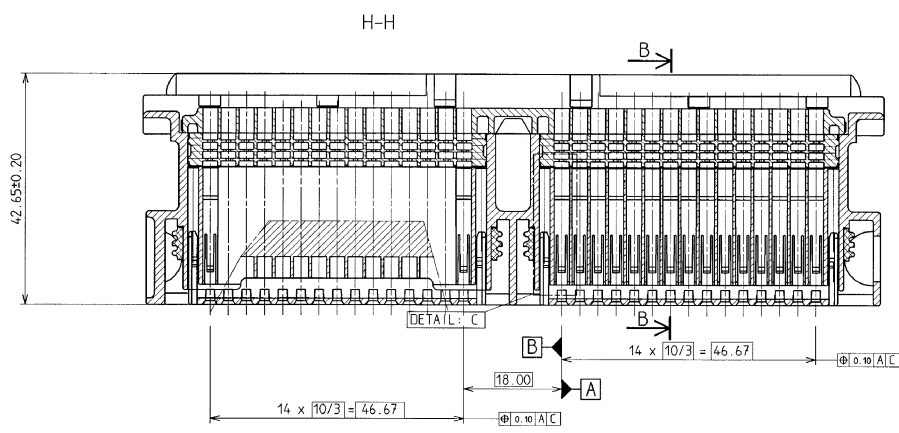
DWG STATUS		ZONE	REVISION HISTORY		AUTH	DR	CK	APVD
DATE	STG	REV	N/P	CHG				
25MR03	R	01	--	--	RELEASED			238454 EVH AFM VC

DATEUR EN CREUX  
SUR AUTRE FACE  
DU PORTE-CLIP  
RECESSED DATE  
ON CONNECTOR  
OPPOSITE SIDE

XX = année  
year



REPERE index	DESIGNATION designation	QUANTITE quantity	MATIERE material	COULEUR colour
1	PORTE-CLIPS harness connector	1	PBT 152FV PBT 152GF	VOIR TABLEAU see table
2	JOINT INTERFACIAL interface seal	2	SILICONE silicone	VERT green
3	GRILLE spacer	2	PBT 152FV PBT 152GF	JALUNE yellow
4	GROMMET grommet	2	SILICONE silicone	ROUGE red
5	PLAQUETTE plate	1	PBT 152FV PBT 152GF	NOIR black



NOTA: -1- PRODUIT IDENTIQUE A REF. : 211 PC 90 2 S x 008  
SAUF MARQUAGE  
product identical to ref: 211 A 90 2 S x 008  
excepted marking

-2-  côte M.S.P.  
S.P.C. dimension

-3- ALVEOLE POUR CONTACT CLIP: SICMA 2  
cavity for female terminal contact: sicma 2

COTE A PRISE A L'ENTREE ENTRE LE CODEUR ET LE DETROMPEUR DIMENSION A BETWEEN THE CODING GROOVE AND FULL PROOF GROOVE	A ± 0.10	N° CODAGE KEY NUMBER	N° PIECE PIECE NUMBER	COULEUR COLOUR
	7.20	3	211 PC 90 2 S 8 009	GRIS GREY
	12.00	2	211 PC 90 2 S 1 009	MARRON BROWN
	16.20	1	211 PC 90 2 S 0 009	NOIR BLACK

ARCHIVE LE 26/12/00

1. AUMI PINCEMENT PERMIS 1.2 SUR 36.65 ± 0.30 - 0.2 - DP 25A (03/10/00)	FINISSE	26/12/2000	A 00 043
INDI	MODIFICATION	SEM	DATE
DESSEIN LE: 26/05/97	VERIFIE LE: 13/11/00	MATIERE: VOIR TABLEAU	TOLERANCE GENERALE
PAR: F. HEALEZ	PAR: /	ETAT: -	1.0/20 ± 1'
TRAITEMENT:	POIDS:	SURFACE:	ESCALE: 2 / 1

FRANATONE CONNECTORS  
CONNECTRAL  
Rue des Quatre Filles - BP 25  
28221 EPERNON cedex FRANCE

PORTE-CLIPS 90 VOIES 1.5 x 0.8 ETANCHE  
VERSION ANONYME - FICHE TECHNIQUE  
90 WAYS 1.5 x 0.8 SEALED CONNECTOR  
ANONYMOUS VERSION - TECHNICAL SHEET

A1 211 FT 0280

NOTES

- REF FCI P/N 211PC902S0009
- DELPHI PACKARD ELECTRIC SYSTEMS IS NOT RESPONSIBLE FOR DESIGN CONTROL OF PURCHASED "OFF SHELF" COMPONENTS.

PART DRAWING	
STYLE	N/A
VOLUME (CH)	DISTR CODE
N/A	D
REVISIONS	6901
REFERENCE	
DO NOT SCALE	CAD SE BOUND BOX

**DELPHI**  
DELPHI PACKARD ELECTRIC SYSTEMS  
WARREN, OH

DR	DATE
APVD: Vazquez, Eduardo	25MR03
APVD: Flores, Adrian	26MR03
APVD: Cabral, Veronica	27MR03
APVD:	

SUBSTANCES OF CONCERN AND RECYCLED CONTENT PER DELPHI - A 10349001

MATERIAL: N/A

DRAWING NAME: CONN

DRAWING NUMBER: 10776517

SIZE	SCALE	FRAME NO	SHEET NO	STG	REV	N/P
A0	NONE	1 OF 1	1 OF 1	R	01	--