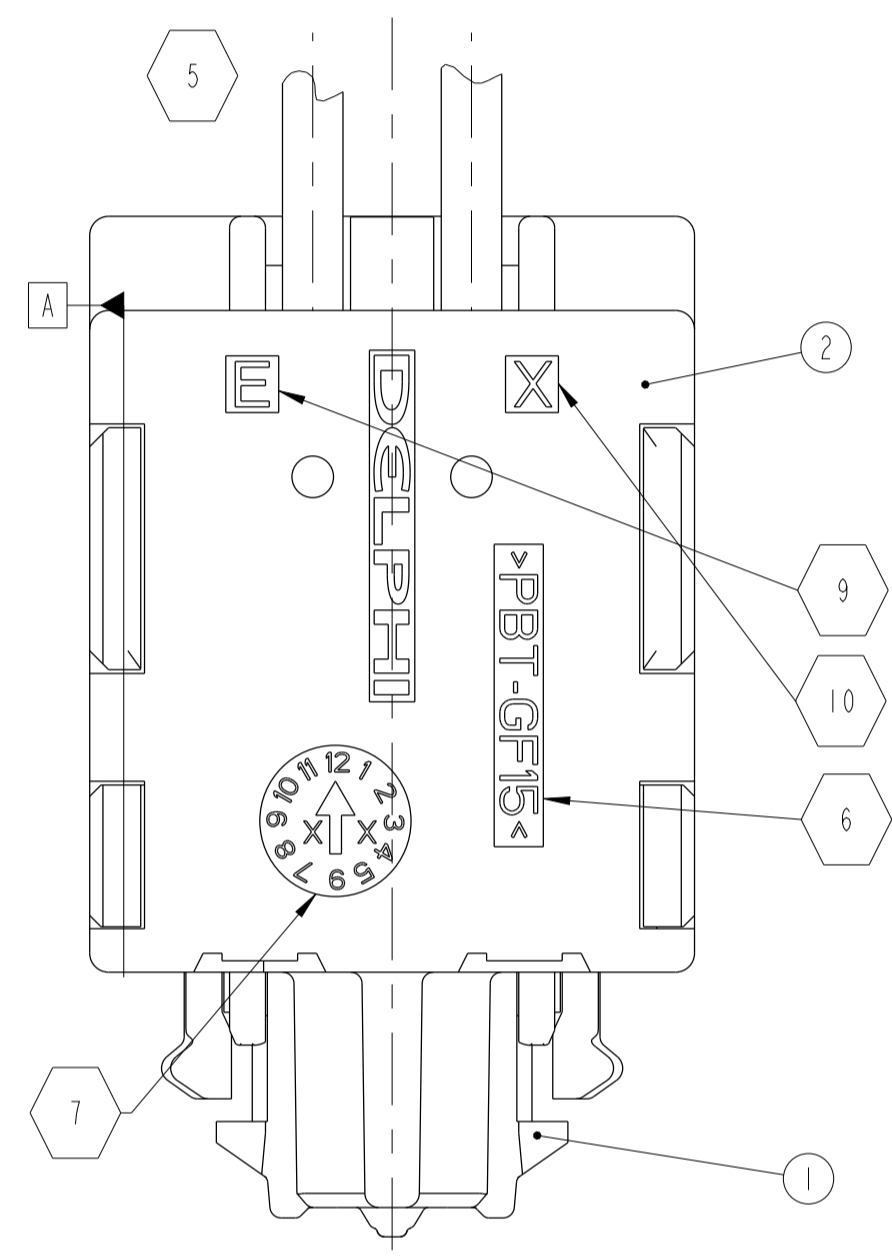
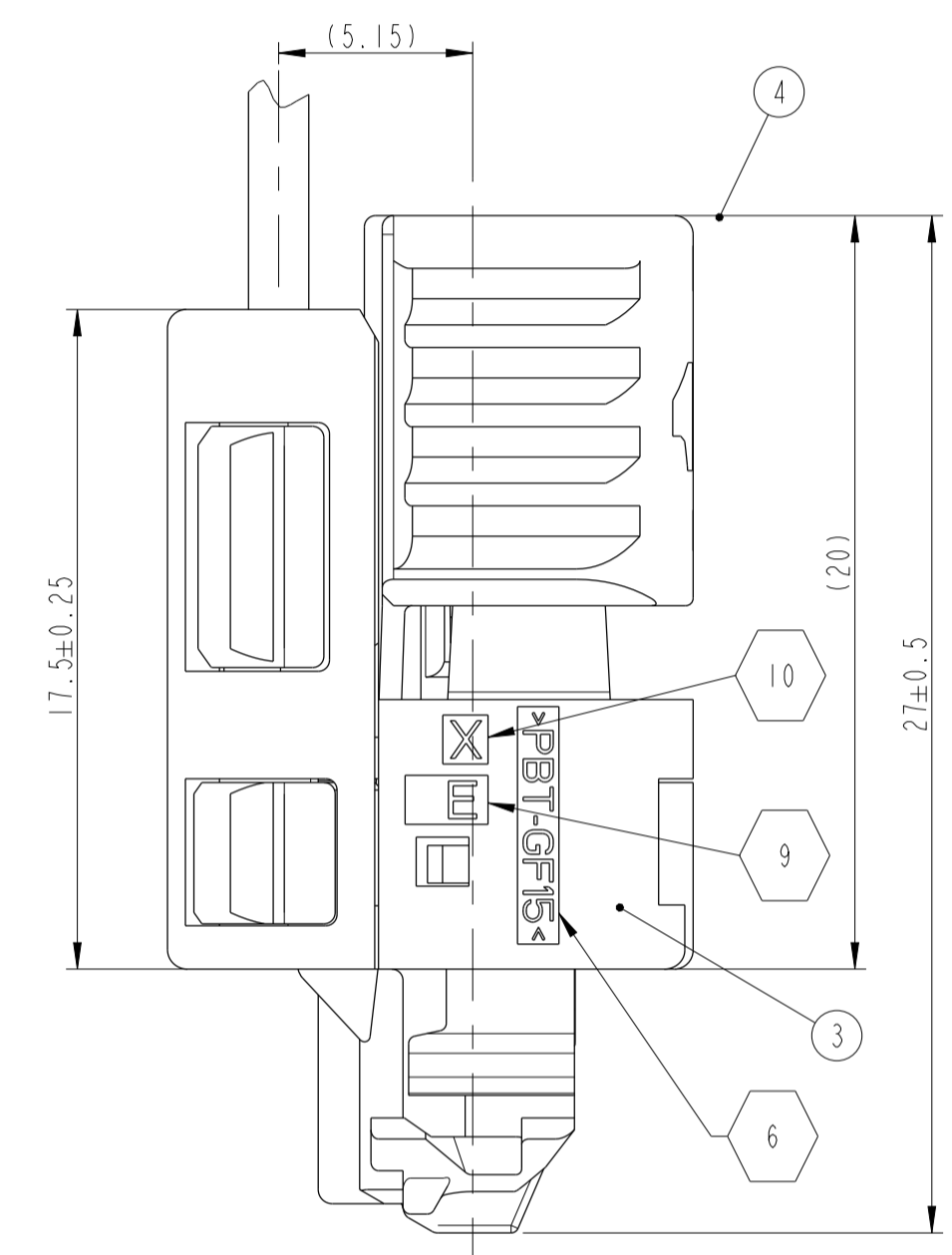
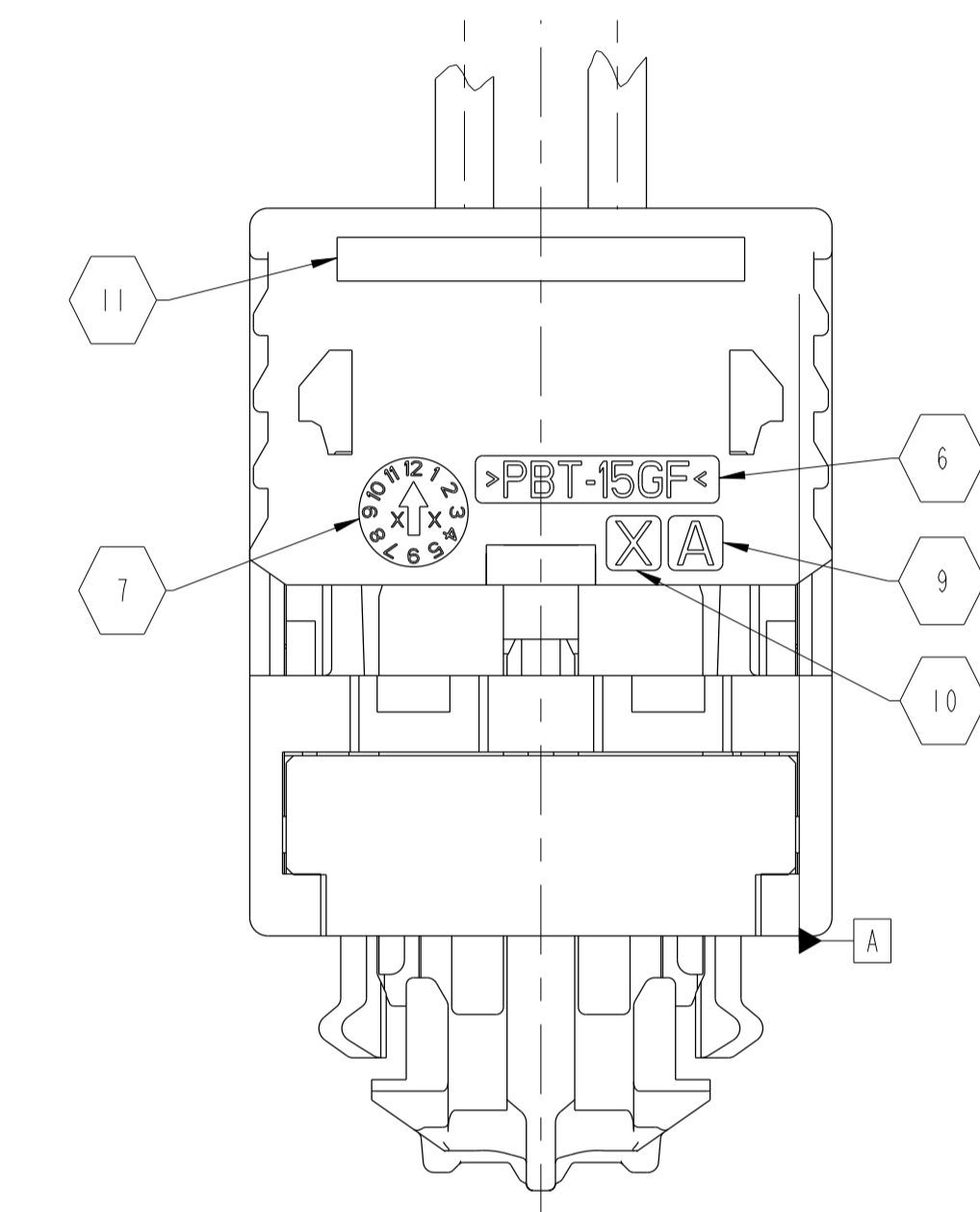
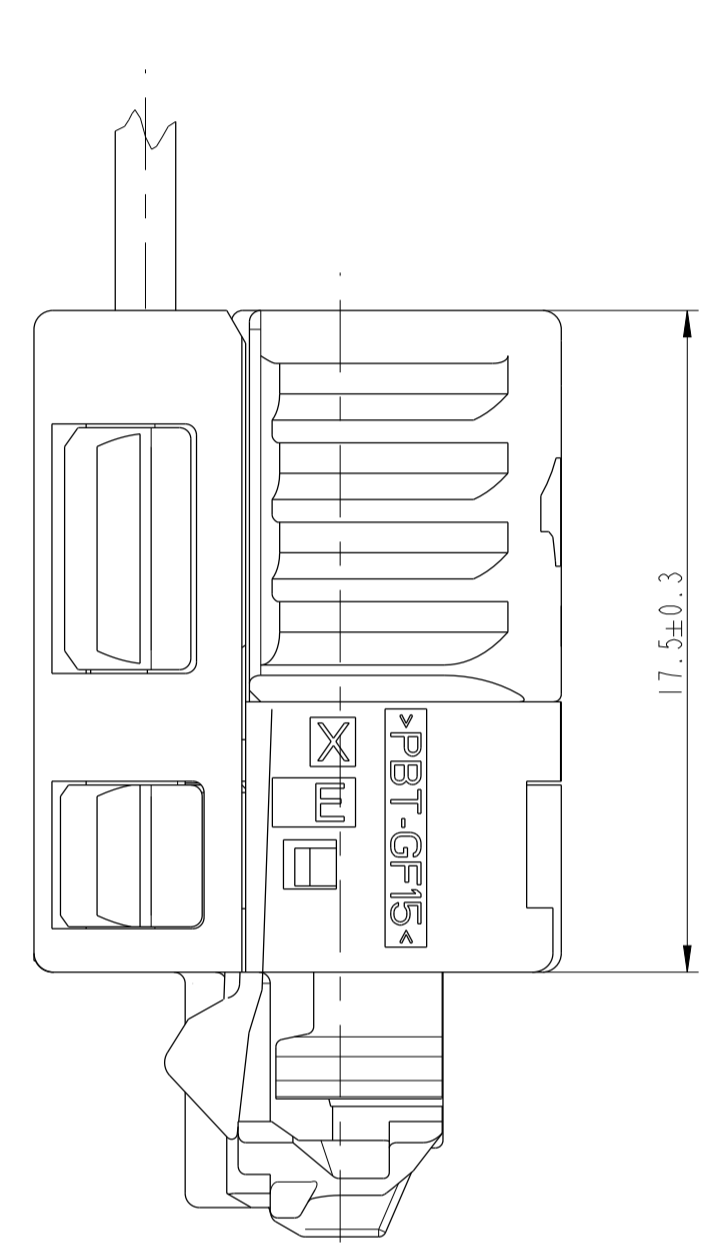
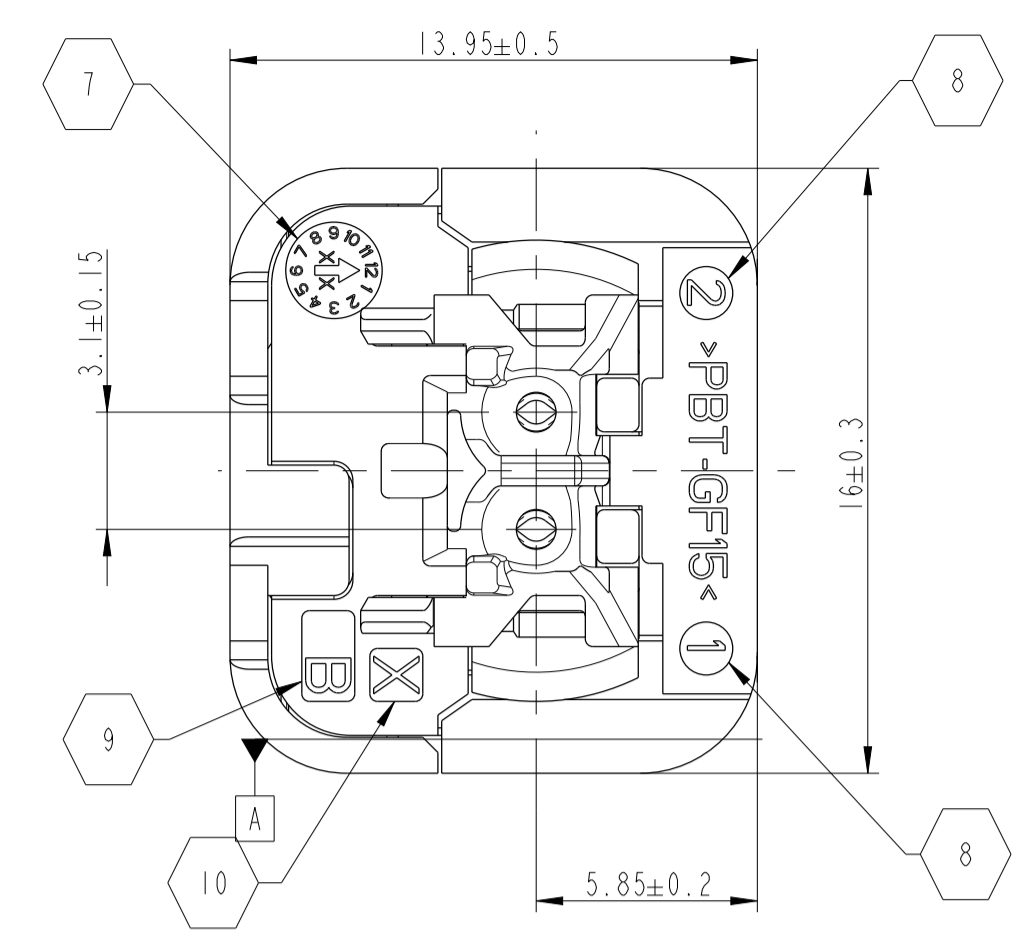
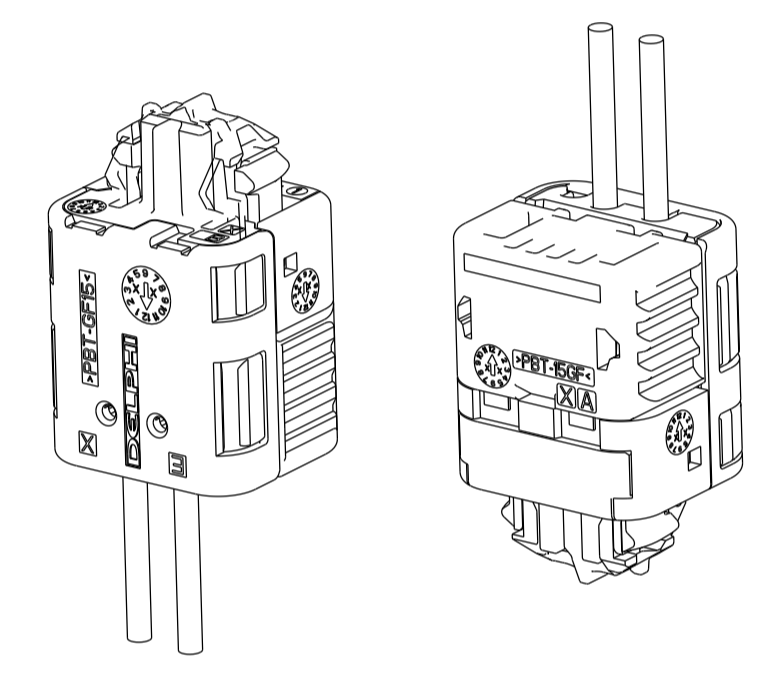


Bemerkungen NOTES	
1	Kontakt: Veredelung im Kontaktierungsbereich min. 0.8 µm AuCo 0.3 über 1.25-2.25 µm Ni TERMINAL: PLATING CONTACT AREA: MIN. 0.8 µm AuCo 0.3 OVER 1.25-2.25 µm Ni
2	Steckerverbinder spezifiziert in FCI-Produktspezifikation 9 901 14 40 CONNECTOR SPECIFIED IN FCI PRODUCT SPECIFICATION 9 901 14 40
3	Steckermontage / -demontage beschrieben in FCI-Verarbeitungsspezifikation 9 902 11 50 Mating / Demating of the Connector described in FCI-application specification 9 902 11 50
4	Retainer fuer Kodierung A / B / C siehe FCI-Nummer 6 900 31 05 / 17 / 20 RETAINER FOR CODING A / B / C SEE FCI NUMBER 6 900 31 05 / 17 / 20
5	FCI Firmenzeichen FCI LOGO
6	Materialkennzeichnung (Einzelteil) MATERIAL MARKING (COMPONENT)
7	Datumsuhr (Einzelteil) DATE CLOCK (COMPONENT)
8	Numerierung der Kontaktkammern TERMINAL CAVITY NUMBERS
9	Aenderungsindex (Einzelteil) REVISION INDEX (COMPONENT)
10	Nestmarkierung (Einzelteil) MOULD CAVITY NUMBER (COMPONENT)
11	Pruefdatumsaufdruck ELECTRICAL CHECKDATE PRINTED
12	Verbindung Kabel zu Kontakt geschweißt CONNECTION WIRE TO CONTACT WELDED
13	ENGLISH TRANSLATION IS BELIEVED TO BE CORRECT. IN CASE OF TRANSLATION ERRORS, GERMAN VERSION SHOULD GOVERN

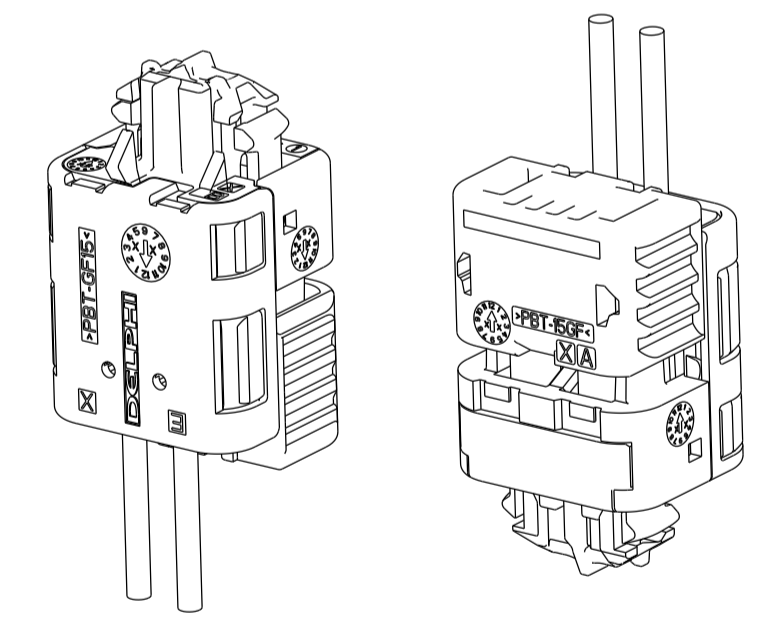
Dargestellt: PPI0001840
DISPLAYED: PPI0001840



3D Ansichten
3D VIEWS

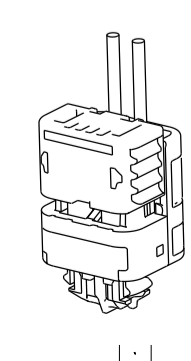
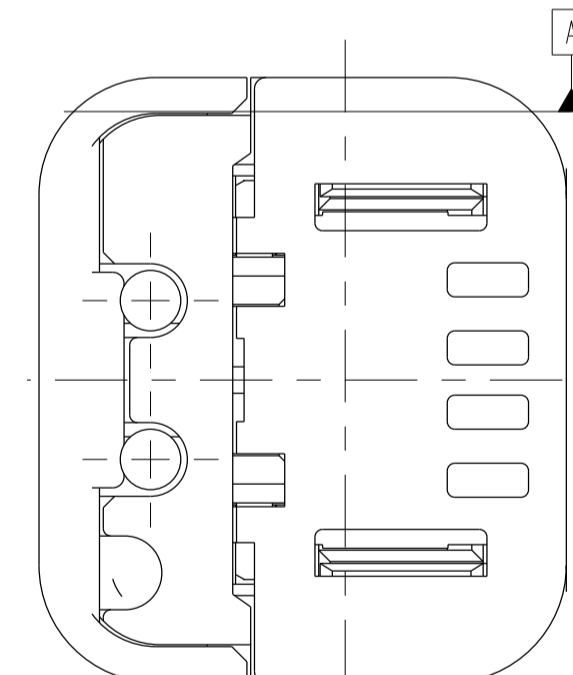


Stecker mit geschlossener CPA
CONNECTOR WITH CLOSED CPA



Stecker mit offener CPA - Anlieferungszustand
CONNECTOR WITH OPEN CPA - DELIVERY CONDITION

Stecker mit geschlossener CPA
CONNECTOR WITH CLOSED CPA



1:1

DELPHI	Referenz REFERENCE	33510832	33510833	33510834	33510835	33510836	33510837
	Revision REVISION	01	01	01	01	01	01
MVL	Referenz REFERENCE	PP10001840	PP10001841	PP10001842	PP10001843	PP10001844	PP10001845
	Revision REVISION	A	A	A	A	A	A
D	Kabelausgang CABLE EXIT	1.4mm TO 1.7mm Kabelaussendurchmesser / OUTER DIAMETER OF CABLE			1.6mm TO 1.9mm Kabelaussendurchmesser / OUTER DIAMETER OF CABLE		
	Ansichten nicht maßstabsgerecht VIEWS NOT SCALED	Kodierung A CODING A Farbe / COLOUR blau / BLUE	Kodierung B CODING B Farbe / COLOUR gruen / GREEN	Kodierung C CODING C Farbe / COLOUR ORANGE	Kodierung A CODING A Farbe / COLOUR blau / BLUE	Kodierung B CODING B Farbe / COLOUR gruen / GREEN	Kodierung C CODING C Farbe / COLOUR ORANGE
INTERFACE ①	Farbe COLOUR	blau / BLUE	gruen / GREEN	ORANGE	blau / BLUE	gruen / GREEN	ORANGE
	Material MATERIAL	PBT-GF15	PBT-GF15	PBT-GF15	PBT-GF15	PBT-GF15	PBT-GF15
COVER ②	Farbe COLOUR	gelb / YELLOW					
	Material MATERIAL	PBT-GF15					
HOLDER ③	Farbe COLOUR	gelb / YELLOW			gelb / YELLOW		
	Material MATERIAL	PBT-GF15			PBT-GF15		
CPA ④	Farbe COLOUR	gelb / YELLOW					
	Material MATERIAL	PBT-GF15					
Kontakt-links TERMINAL-LEFT ⑤	Material MATERIAL	CuSn4					
Kontakt-rechts TERMINAL-RIGHT ⑥	Material MATERIAL	CuSn4					
Ferrit FERRITE ⑦	Material MATERIAL	FERRITE			FERRITE		

ECN-NO:	DELPHI P/N ADDED		
881/07	B Terminal polarity corrected to fit to the part		
	A INITIAL RELEASE		
ECN-NO:	POSITION	CHANGE DESCRIPTION	
881/07	A	INITIAL RELEASE	
PROJECT SPEC:	PACKAGING SPEC:	APPLICATION SPEC:	COPYRIGHT DELPHI CORPORATION AND/OR ITS AFFILIATES. ALL RIGHTS RESERVED. REVISED
SEE NOTES	SEE NOTES	SEE NOTES	THIS DRAWING IS THE PROPERTY OF DELPHI CORPORATION AND CONTAINS DELPHI CONFIDENTIAL INFORMATION. FOR REPRODUCTION, DISTRIBUTION AND QUALIFICATION OF THIS DOCUMENT BY ITS CONTENT TO OTHERS, WITHOUT EXPRESS AUTHORIZATION, IS PROHIBITED.
DATE:	NAME:	TITLE:	SERVICE / FUNKTION:
20150929	Harald HOLZNER	Airbag connector 180°	DELPHI
20150929	Harald HOLZNER	FAB180-1	DELPHI
20150929	Harald HOLZNER	EU-050599	DELPHI
20150929	Harald HOLZNER	PCC0523593	DELPHI
DATE:	NAME:	TITLE:	SERVICE / FUNKTION:
20150929	Harald HOLZNER	Airbag connector 180°	DELPHI
20150929	Harald HOLZNER	FAB180-1	DELPHI
20150929	Harald HOLZNER	EU-050599	DELPHI
20150929	Harald HOLZNER	PCC0523593	DELPHI
DATE:	NAME:	TITLE:	SERVICE / FUNKTION:
20150929	Harald HOLZNER	Airbag connector 180°	DELPHI
20150929	Harald HOLZNER	FAB180-1	DELPHI
20150929	Harald HOLZNER	EU-050599	DELPHI
20150929	Harald HOLZNER	PCC0523593	DELPHI