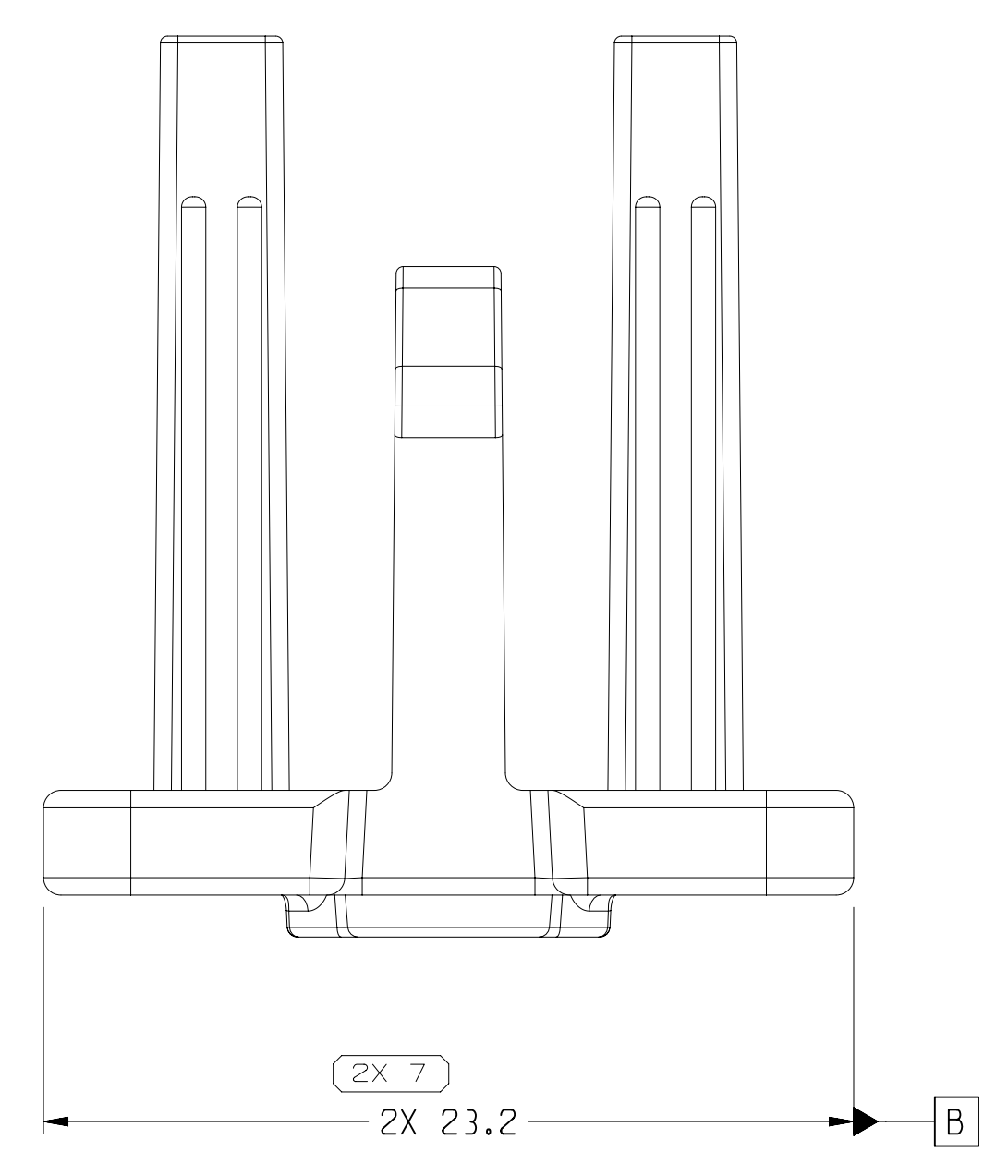
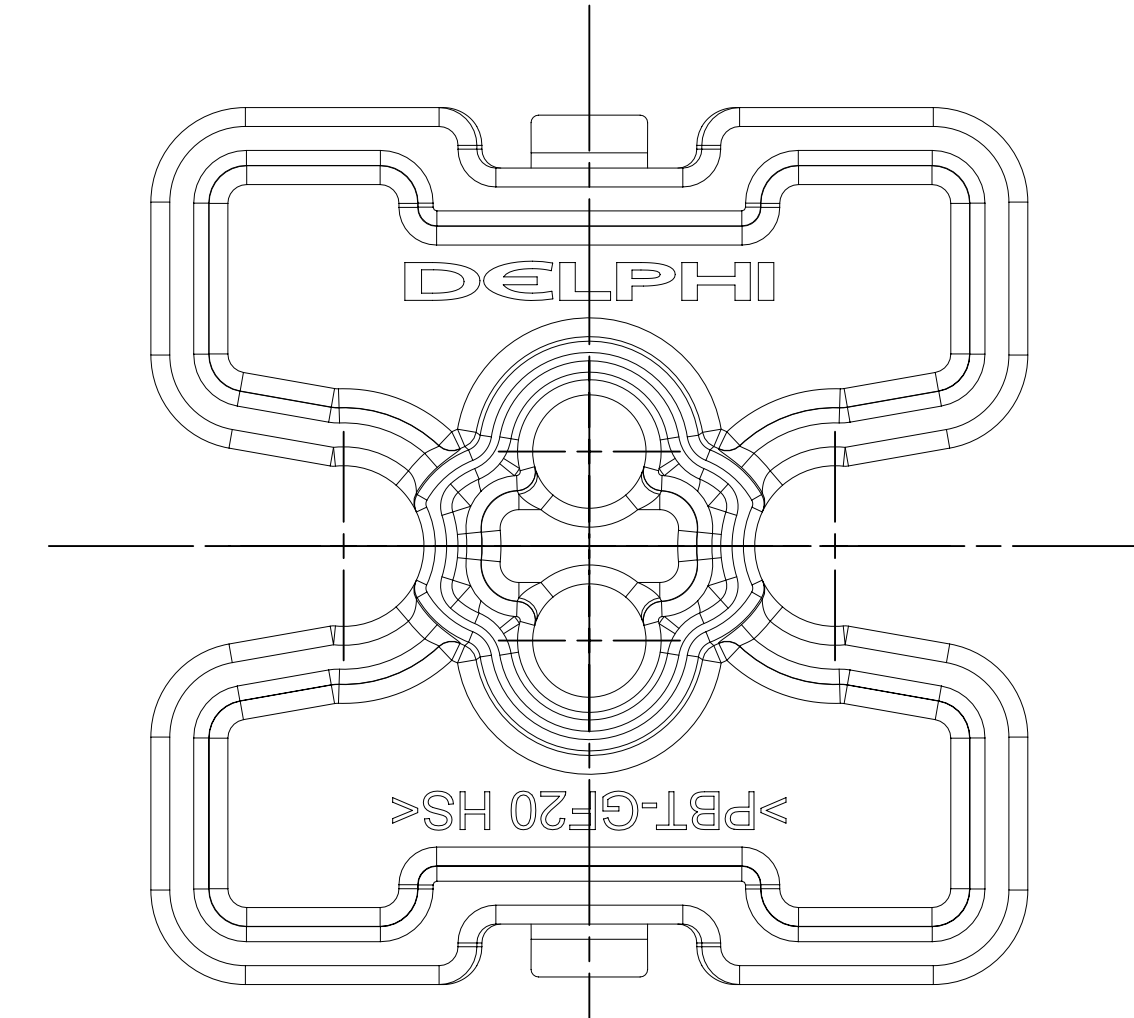
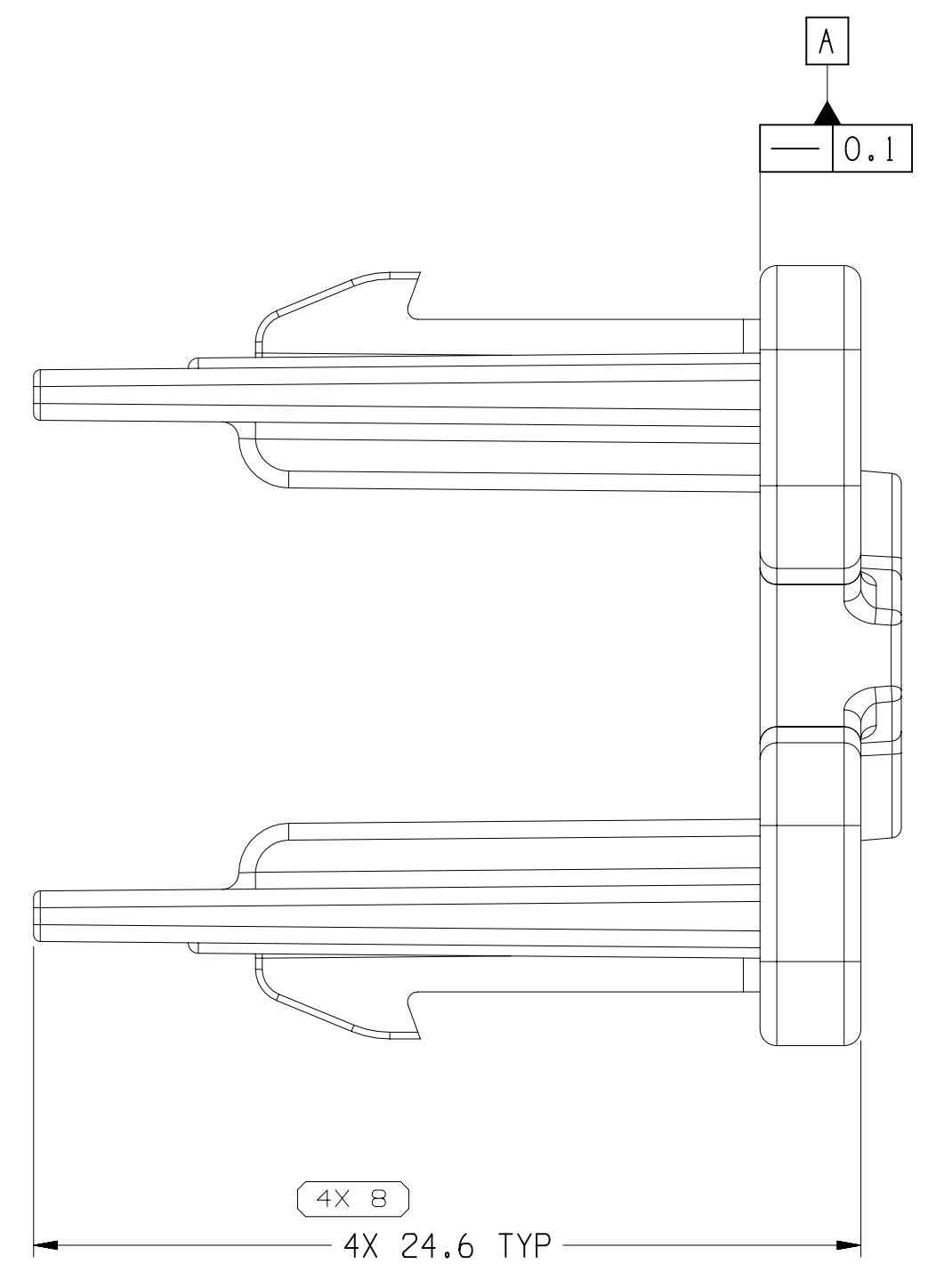
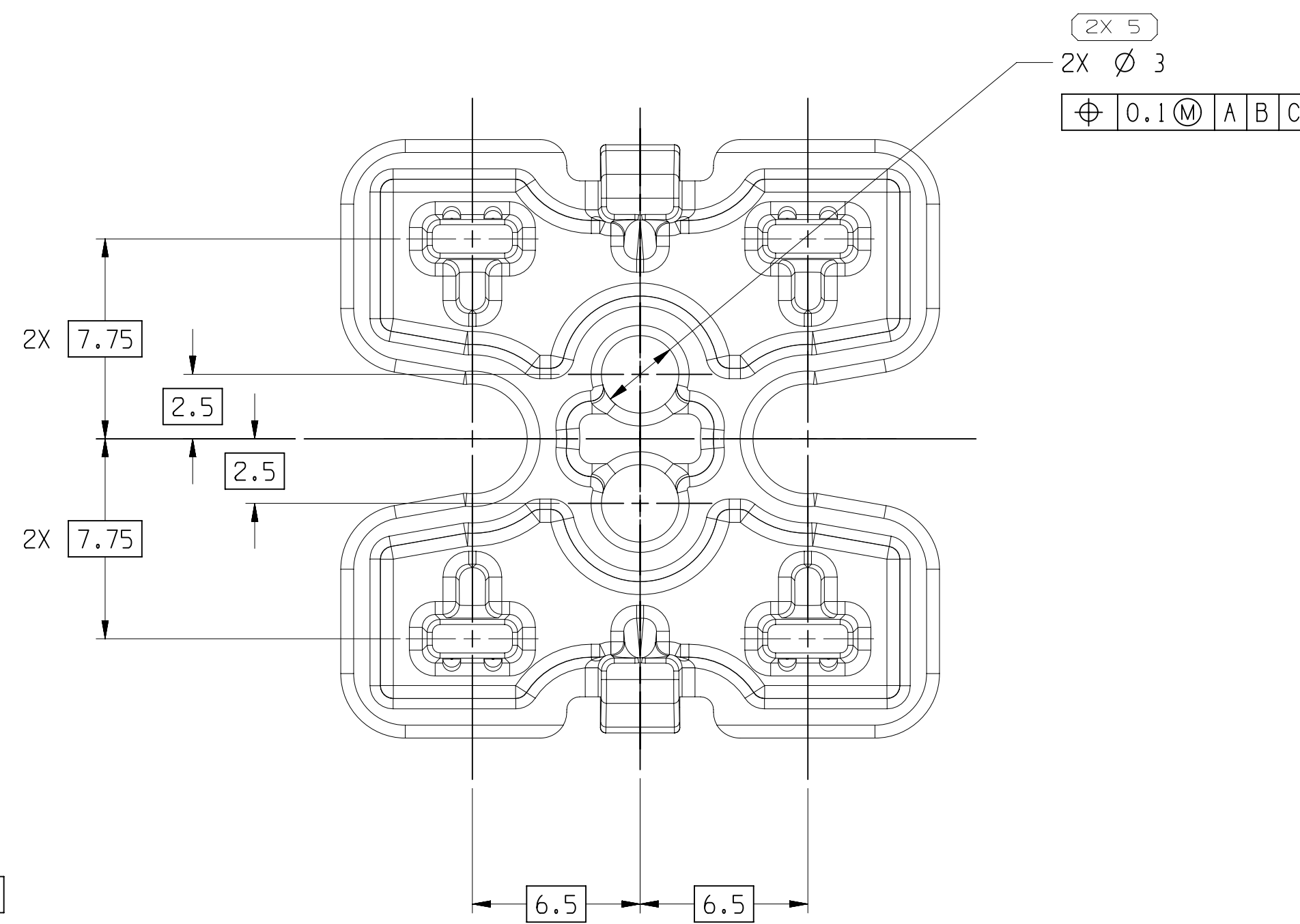
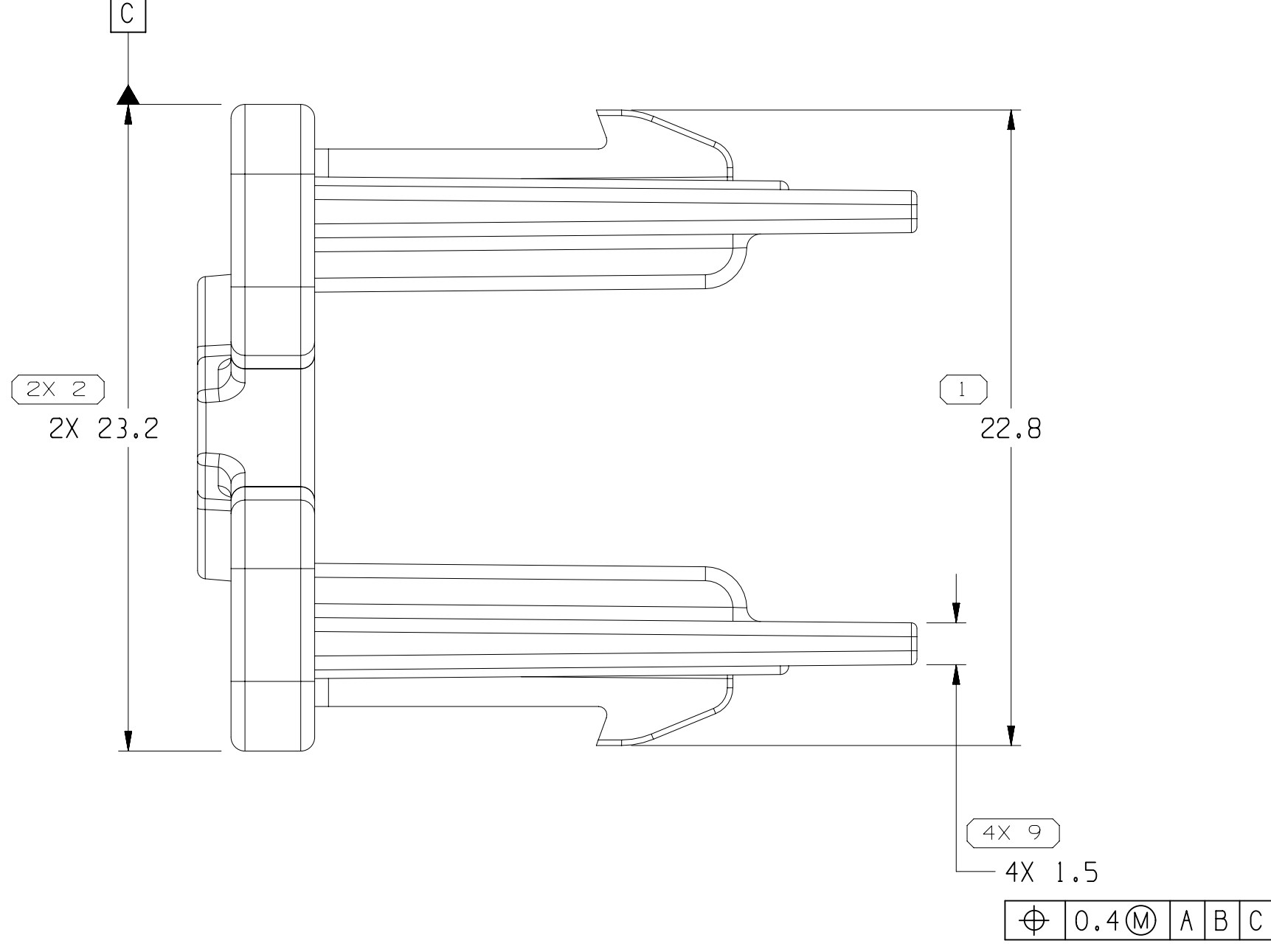
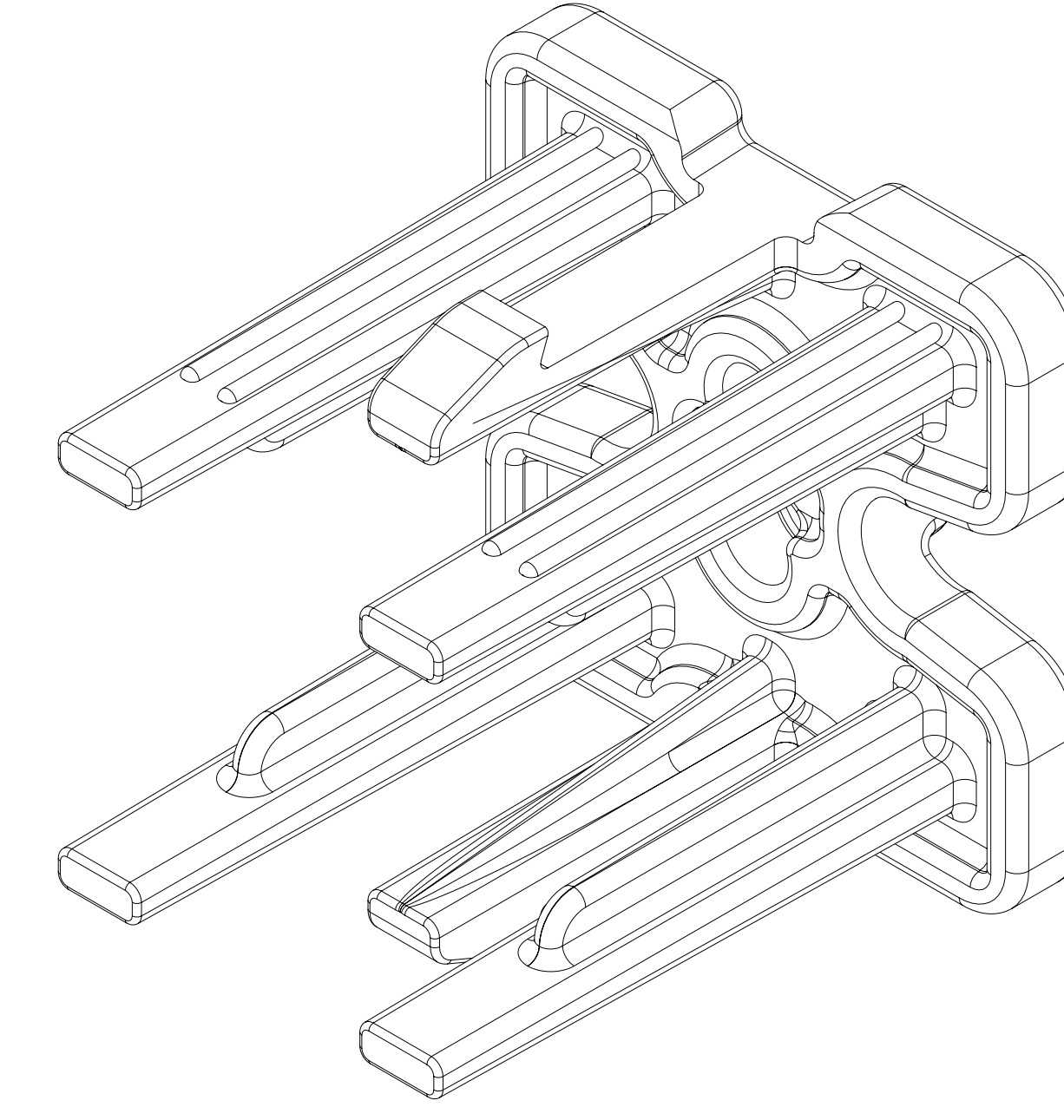
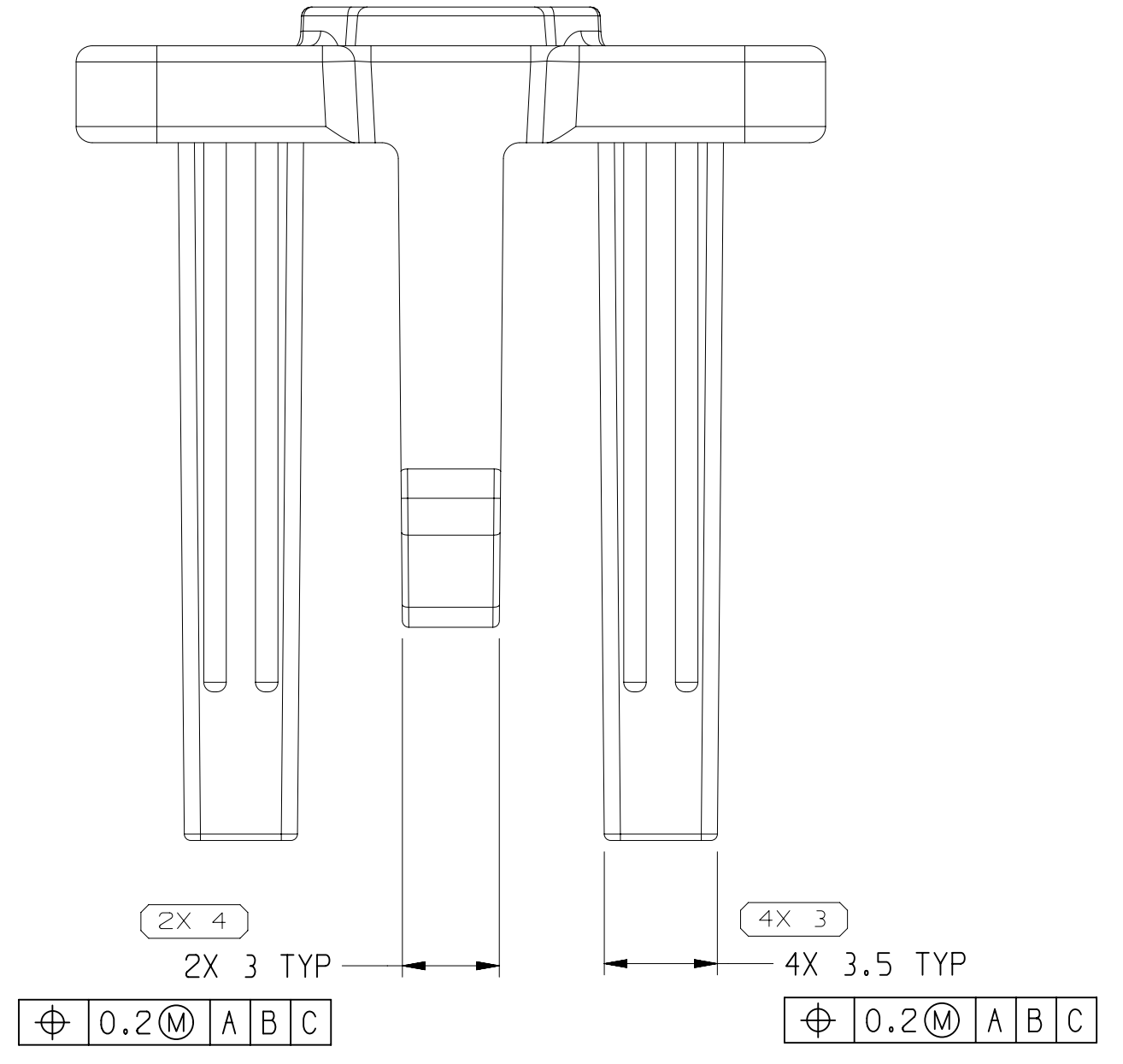


SYMBOL DEFINITION		TOTAL NO OF INSPECTIONS REQUIRED	
A	DIMENSION WITHOUT AN INSPECTION REPORT SYMBOL DOES NOT REQUIRE INSPECTION. IT MAY BE CONTROLLED ON THE INDIVIDUAL COMPONENT DRAWING.	21	
		9	

DWG STATUS	DATE	STG	REV	APP	CHK	ZONE	REVISION HISTORY	AUTH	DR	APVD	APVD
	15JL20	R	01	-	-		RELEASED PART DRAWING	445653	YS	MA	YS
	07SE21	R	02	-	-		RELAX DIM3&9 TOLERANCE	447123	XXW	AM	XXW



DIMENSION NUMBER	MINIMAL VALUE	MAXIMAL VALUE
9		$\phi$ 1.0
3		$\phi$ 0.8

DIMENSIONS OUT OF TOLERANCE RANGE BUT ACCEPTED FOR CHN TOOL  
33299799-PM-B-C002

- NOTES
- UNLESS OTHERWISE SPECIFIED AND/OR INDICATED:  
DIMENSIONS ARE TO FACE OF VIEW SHOWN AND AUTOMATICALLY ROUNDED BY COMPUTER FOR INSPECTION (SEE MATH MODEL FOR PRECISE DIMENSIONS). FOR ALL OTHER DIMENSIONS NOT SHOWN BUT REQUIRED FOR TOOL BUILD, SEE MATH MODEL FOR PRECISE TOOL PATH DATA.
  - THIS IS A LOOSE PIECE COMPONENT USED ON ASSEMBLIES SHOWN ON TAXI 33311168.
  - THIS PRODUCT IS NOT CATEGORIZED AS AN APPEARANCE ITEM, MINOR IMPERFECTIONS INCLUDING, BUT NOT LIMITED TO, FLOW MARKS, COLOR BLEMISHES, GATE VESTIGE, AND SOFT FLASH THAT DO NOT AFFECT THE FIT, FORM, OR FUNCTION OF THE PART ARE PERMISSIBLE PER EAMP-4-3-CS-01-EN.
  - CORPORATE BRAND TO BE APPLIED TO PRODUCT DESIGN PER THE LATEST REVISION OF ESD 51095201.
  - MATERIAL RECYCLING CODE PER ISO 11469. (1.0)X(10.1) CHARACTERS AS SHOWN TO BE LOCATED ON ANY EXTERIOR SURFACE.

DIMENSIONAL RANGE (MM)	CHART	ET
FROM > 0	> 20	> 30
TO > 20	> 30	> 40
	> 40	> 50
	> 50	> 60
	> 60	> 70
	> 70	> 80
	> 80	> 90
	> 90	> 100
	> 100	> 150
	> 150	> 200
	> 200	> 250
	> 250	> 300
	> 300	> 400

**APTIV**  
CONNECTION SYSTEMS  
WARREN, OH  
COPYRIGHT 2021 APTIV, ALL RIGHTS RESERVED.  
THIS DRAWING IS THE PROPERTY OF APTIV AND CONTAINS APTIV CONFIDENTIAL INFORMATION. THE REPRODUCTION, DISTRIBUTION AND UTILIZATION OF THIS DOCUMENT OR ITS RELATED CAD DATA, AS WELL AS COMMUNICATION OF ANY CONTENT TO OTHERS, WITHOUT EXPRESS AUTHORIZATION, IS PROHIBITED.

DR	DATE
APVD1: XIAOXIANG WU	07SE21
APVD2: ARTHUR MA	07SE21
APVD3: XIAOXIANG WU	07SE21
APVD4:	
APVD5:	

MATERIAL: POLYESTER COMPOUND GRAY  
SUBSTANCES OF CONCERN AND RECYCLED CONTENT PER APTIV 10949001

DRAWING NUMBER: LOCK TPA/CLIP  
33299799

SIZE: A0  
SCALE: 5:1  
FRAME NO: 1 OF 1  
SHEET NO: 1 OF 1  
STG REV: R 02

User: Z:\apiv\33299799-PM-B-C002\33299799-PM-B-C002.dwg Plot Date: 12/22/2023 11:01:36 AM Scale: 5:1 Plotter: HP DesignJet 3600ps