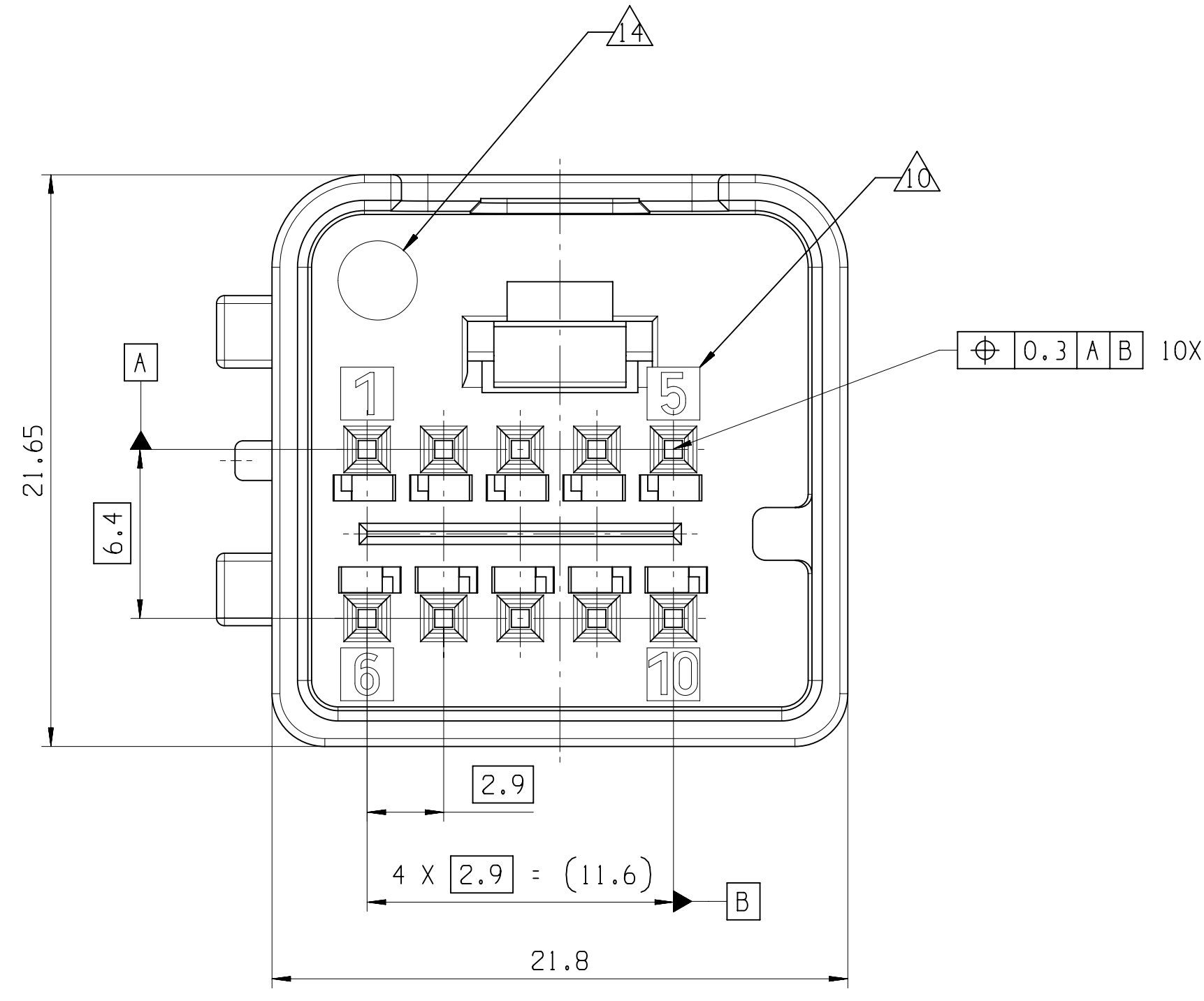
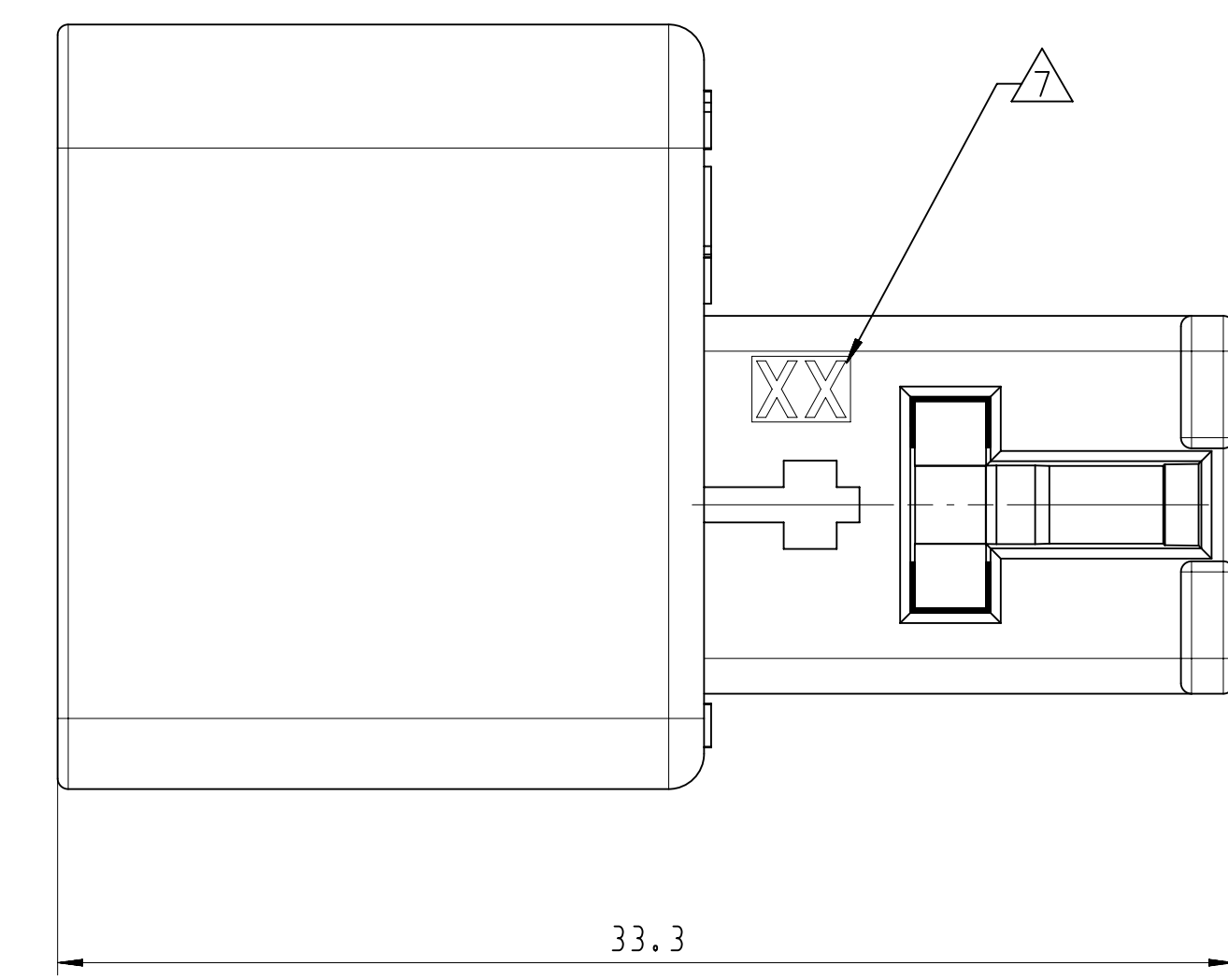
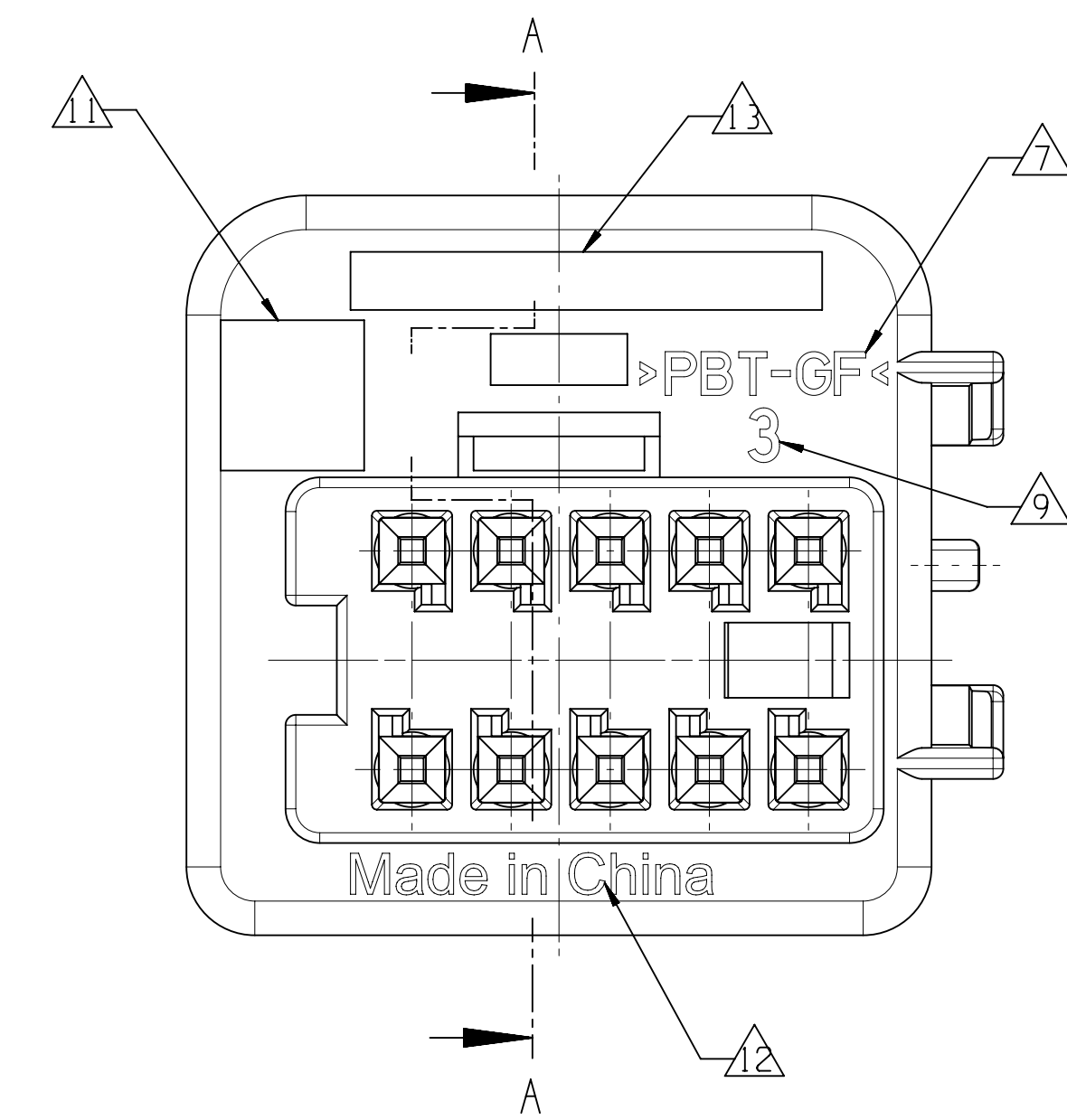
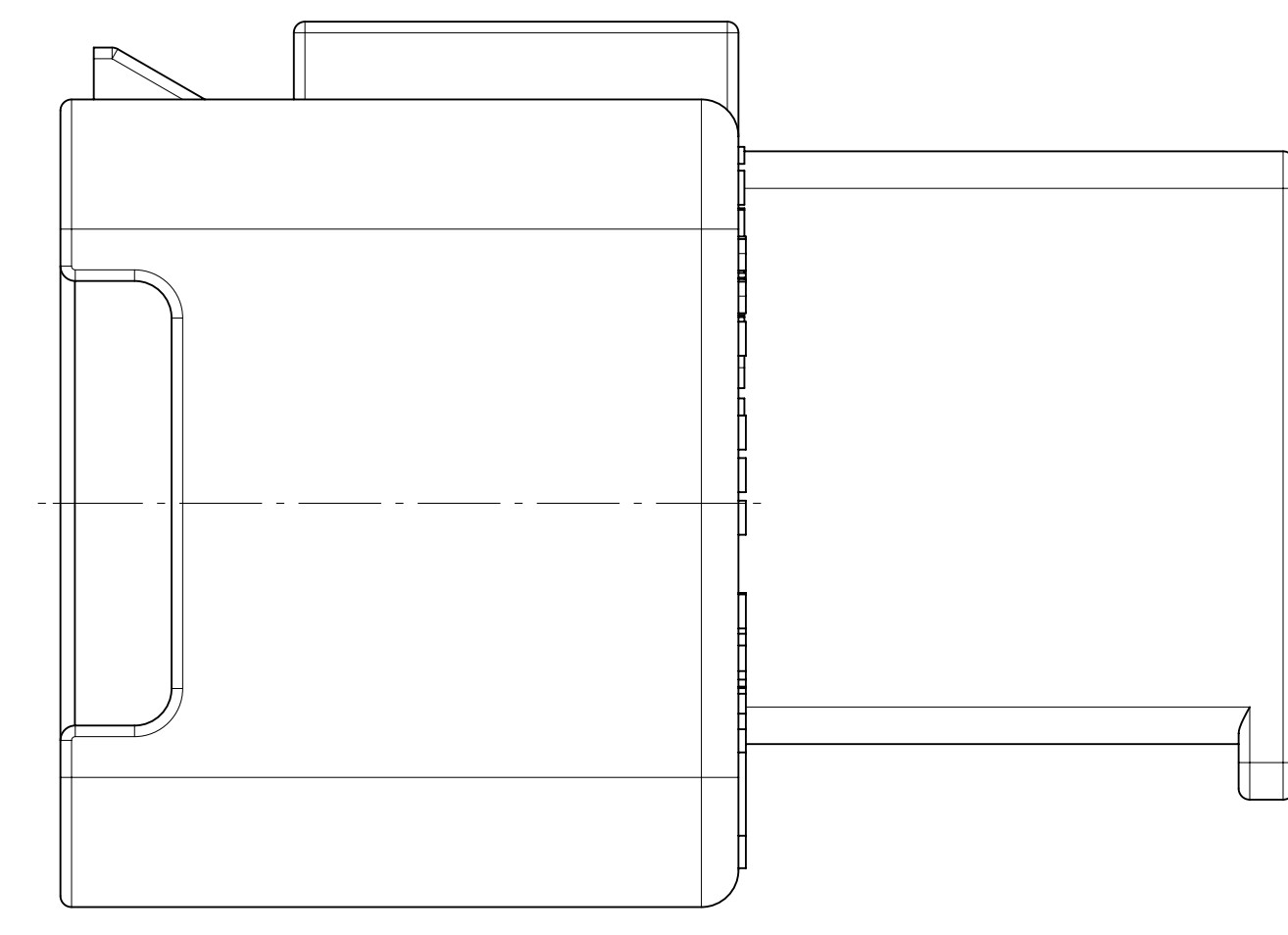
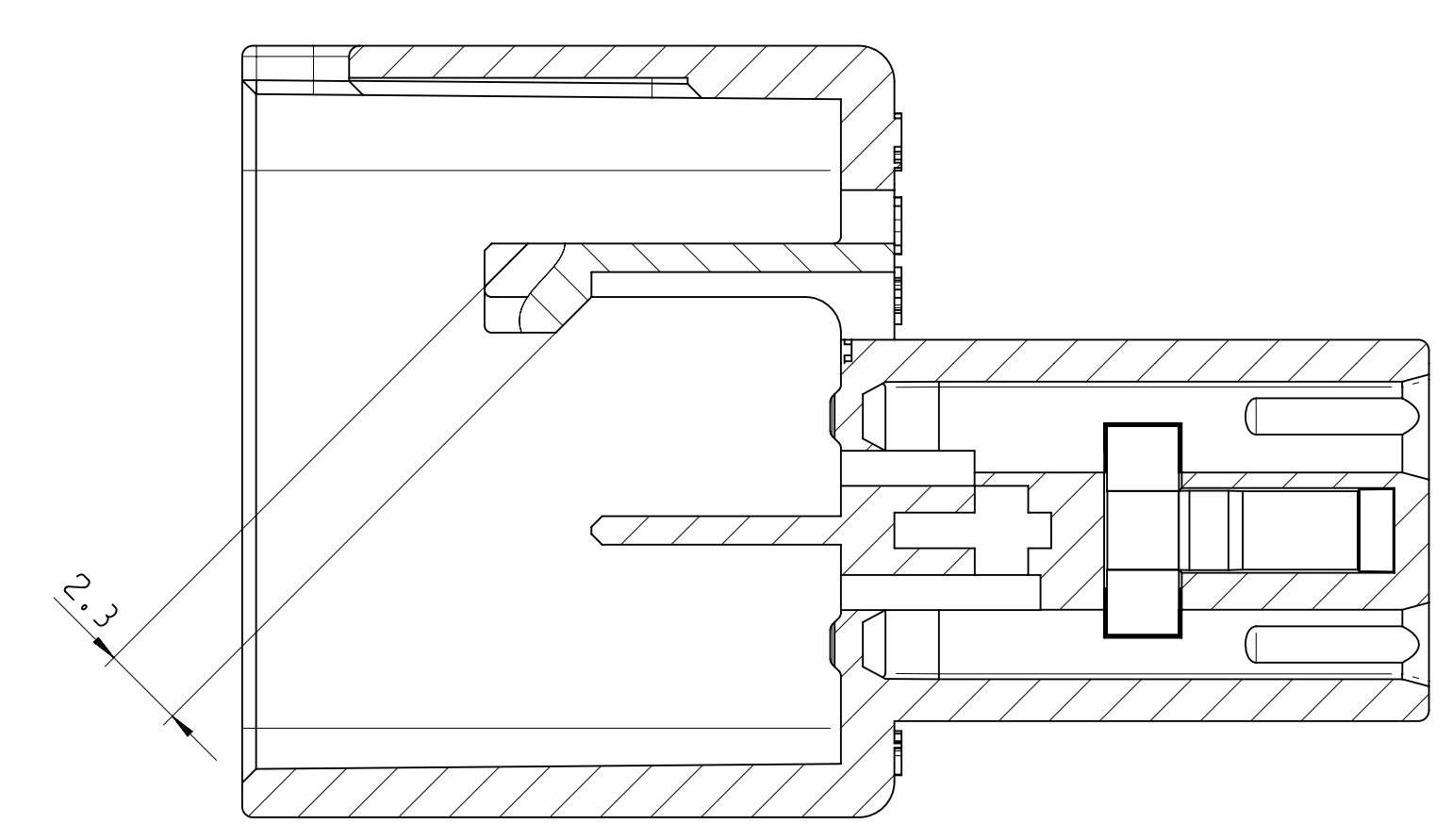


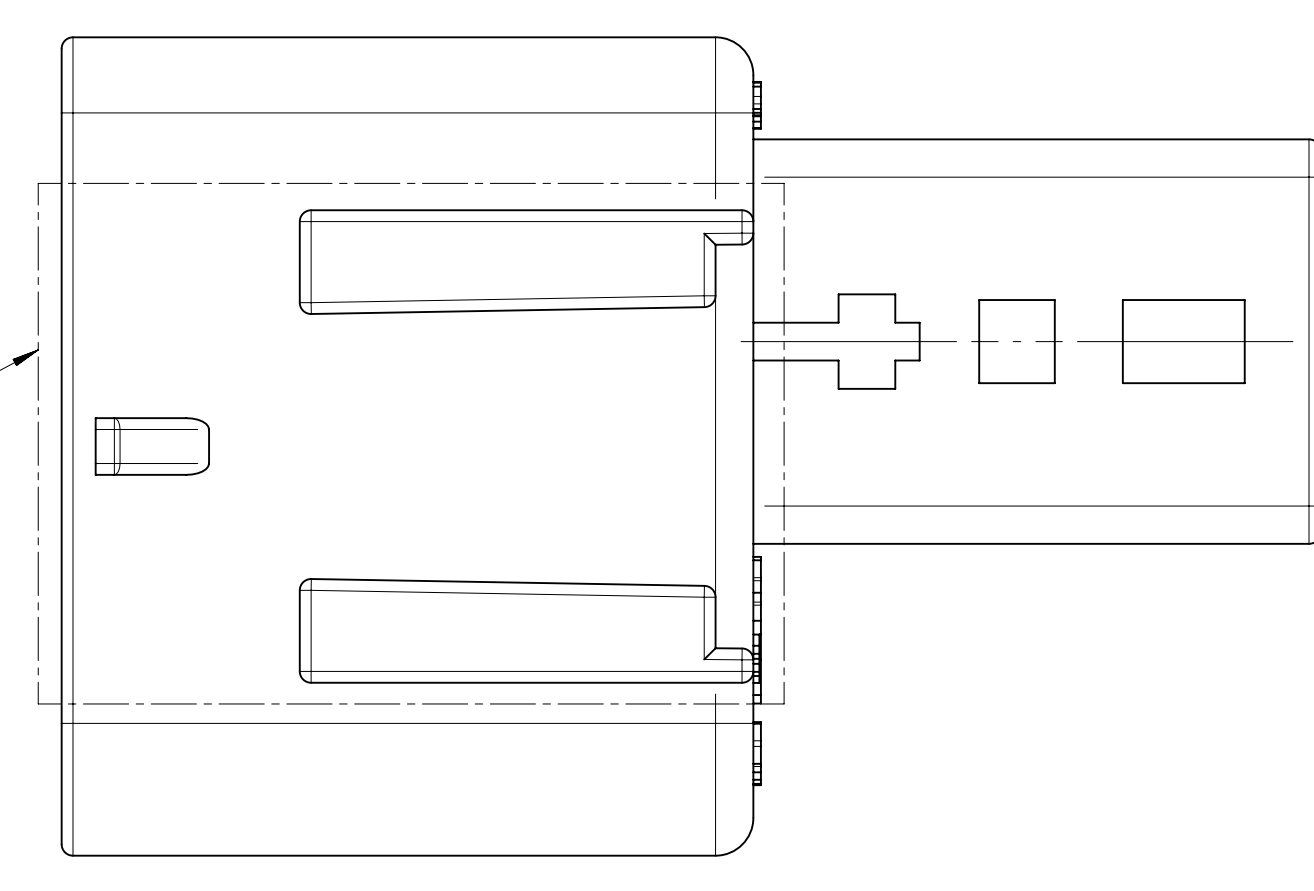
DATE	STG	REV	N	P	CHK	ZONE	REVISION HISTORY	AUTH	DR	APVD	APVD
290C21	R	01					INITIAL RELEASE		P.BAL	M.LAG	M.LAG



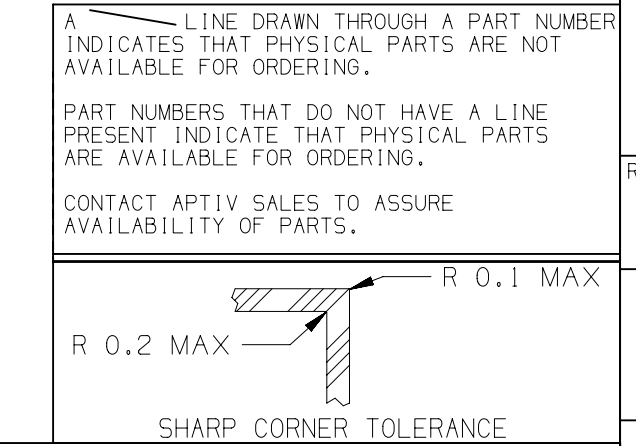
SECTION A - A



LEADER AND LOCKING-FEATURE AS REPLACEMENT INSERT



NOTE	SPECIFICATIONS
1	MALE CONNECTOR ACCORDING TO APTIV SPECIFICATION: CAGE TBD
2	MALE CONNECTOR ACCORDING TO: - TEMPERATURE CLASS TX - ENGINE VIBRATOR CLASS VX - SEALING CLASS EX
3	USER'S MANUAL: TBD
4	DELIVERY CONNECTOR WEIGHT :5.6g
5	NO WAFER HINGE OR WAFER HINGE BROKEN ALLOWED
6	VISUAL DEFECTS ON NO FUNCTIONAL AREAS ALLOWED
△	MATERIAL CODE
△	TOOL CAVITY NUMBER
△	INDEX REPLACEMENT INDEX
△	PART CAVITY NUMBER
△	SUPPLIER LOGO
△	COUNTRY OF ORIGIN
△	PART NUMBER
△	DATE CLOCK

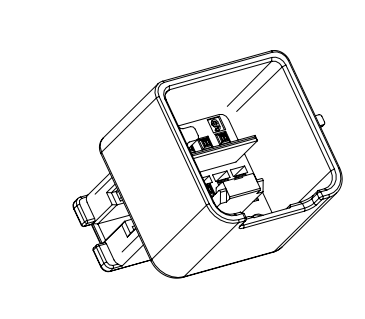


ASSOCIATED PARTS (FOR INFORMATION)			
DESCRIPTION	APTIV P/N	WIRE SECTION	DIAMETER OF WIRE SIZE
MATING PART	1542700B	-	-
MTS 0.64 MALE TERMINAL	TBD	-	-

I	TAB HOUSING 10 WAY	15427007	PBT GF10	BLACK
POS.	DESCRIPTION	APTIV PART NUMBER	MATERIAL	COLOR

DIW TO CHECK	FROM	TO	DIM FOR HELP
□ THEORETIC DIM	0	20	0.15
	> 20	30	0.2
	> 30	70	0.3
	> 70	100	0.4
	> 100	150	0.5
	> 150	200	0.6
	> 200	250	0.8
	> 250	300	1
	> 300	400	1.2

3D VIEW



SCALE 1:1

REV	DESCRIPTION	DATE
1	INITIAL RELEASE	

GENERAL TOLERANCES	ACCORDING TO:
SEE CHART	

FIRST ANGLE PROJECTION
------------------------

**APTIV**  
CONNECTION SYSTEMS  
Dierdorf, India

COPYRIGHT 2021 APTIV. ALL RIGHTS RESERVED.  
THIS DRAWING IS THE PROPERTY OF APTIV AND CONTAINS APTIV CONFIDENTIAL INFORMATION. THE REPRODUCTION, DISTRIBUTION AND UTILIZATION OF THIS DOCUMENT OR ITS RELATED CAD DATA, AS WELL AS COMMUNICATION OF ANY CONTENT TO OTHERS, WITHOUT EXPRESS AUTHORIZATION, IS PROHIBITED.

DR	DATE
P.BALAJI	290C21
LAGUETTE MAURICE	290C21
LAGUETTE MAURICE	290C21

DATE: 2021-02-22

UNLESS OTHERWISE SPECIFIED

GD&T ACCORDING TO: ISO 1101

REFERENCE

DO NOT SCALE USE MATH DATA

SEE TABLE

DRAWING NUMBER: 15439809

DRAWING NAME: TAB HOUSING 10 WAY FOR MTS 0.64

SIZE	SCALE	FRAME NO	SHEET NO	STG	REV	NVP
A0	5:1	1	1	1	1	1