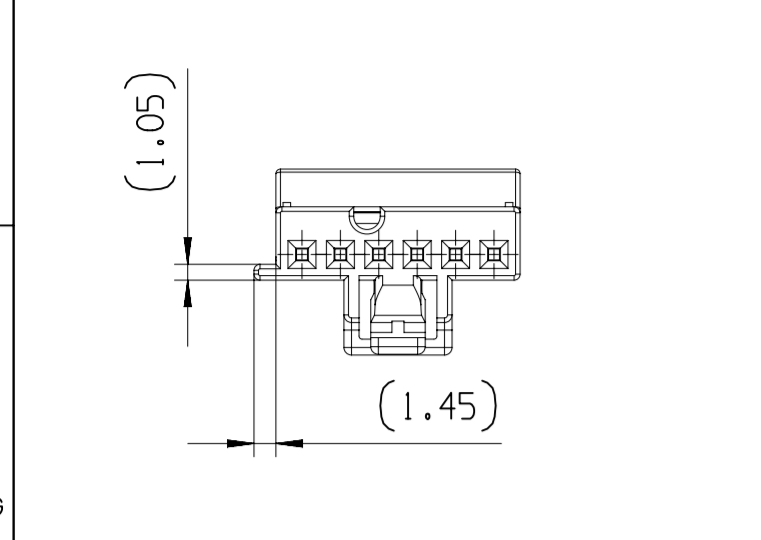
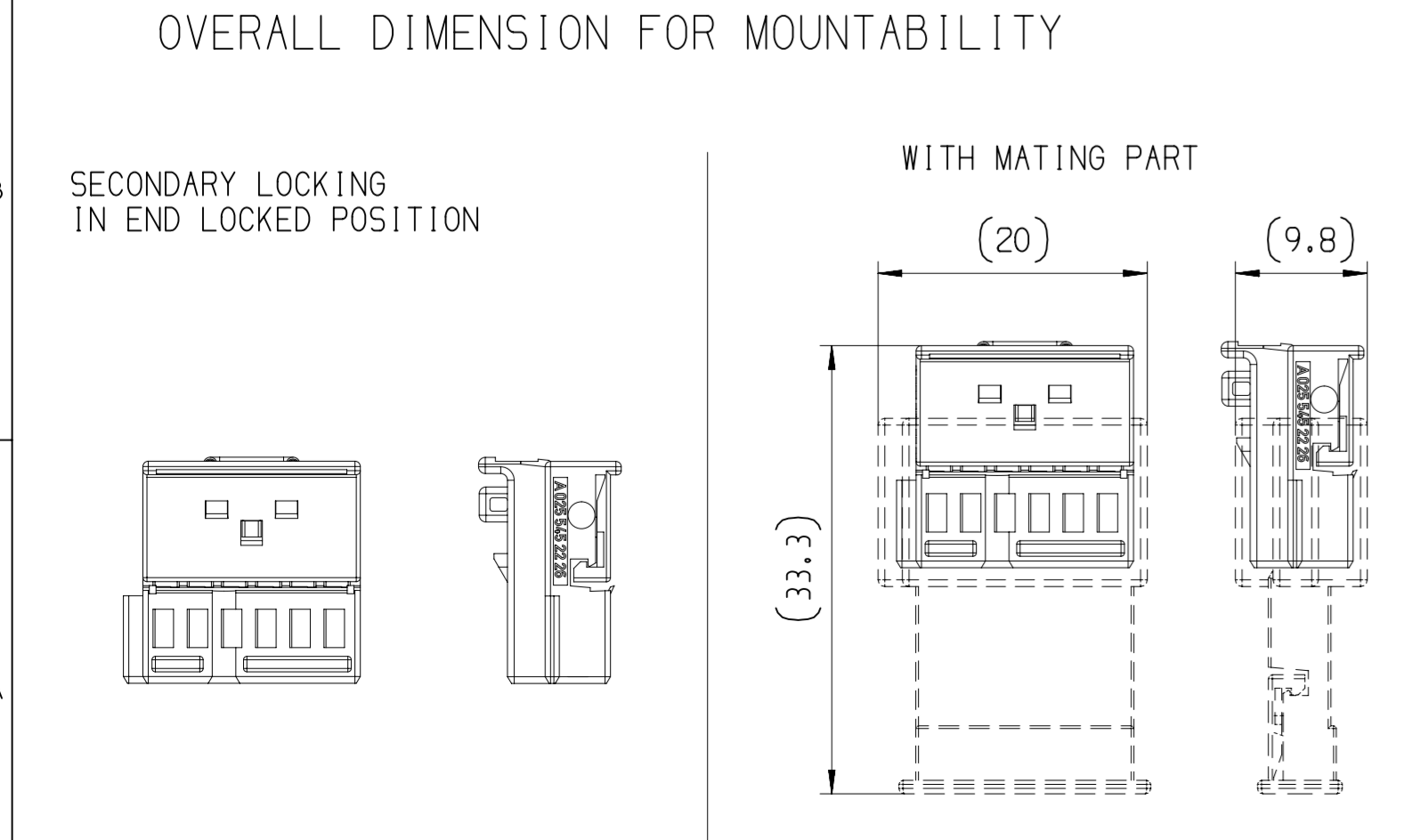
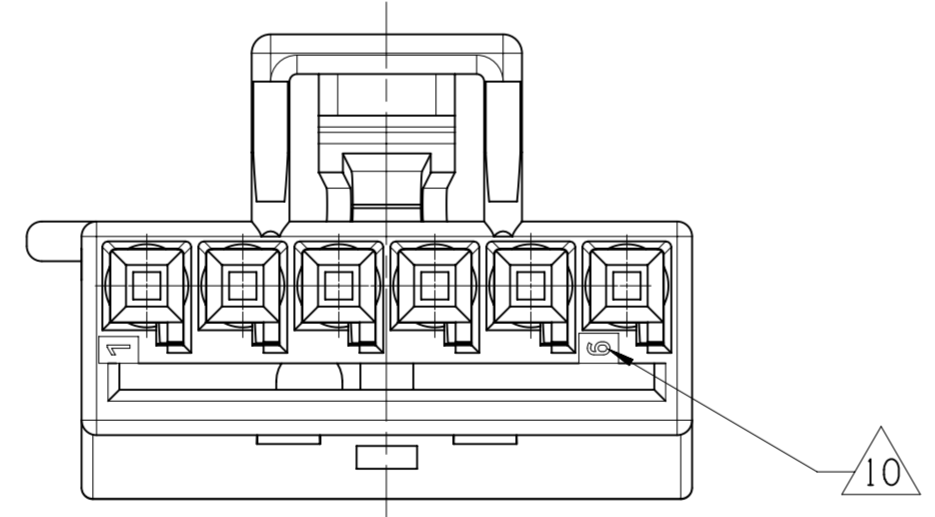
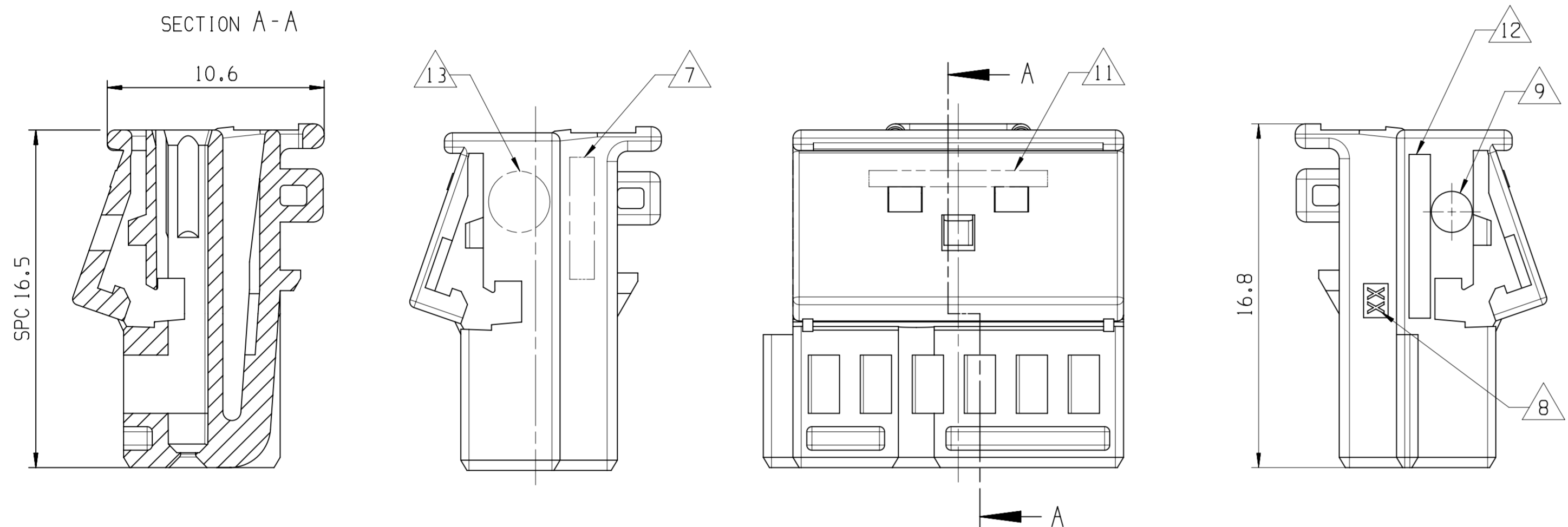
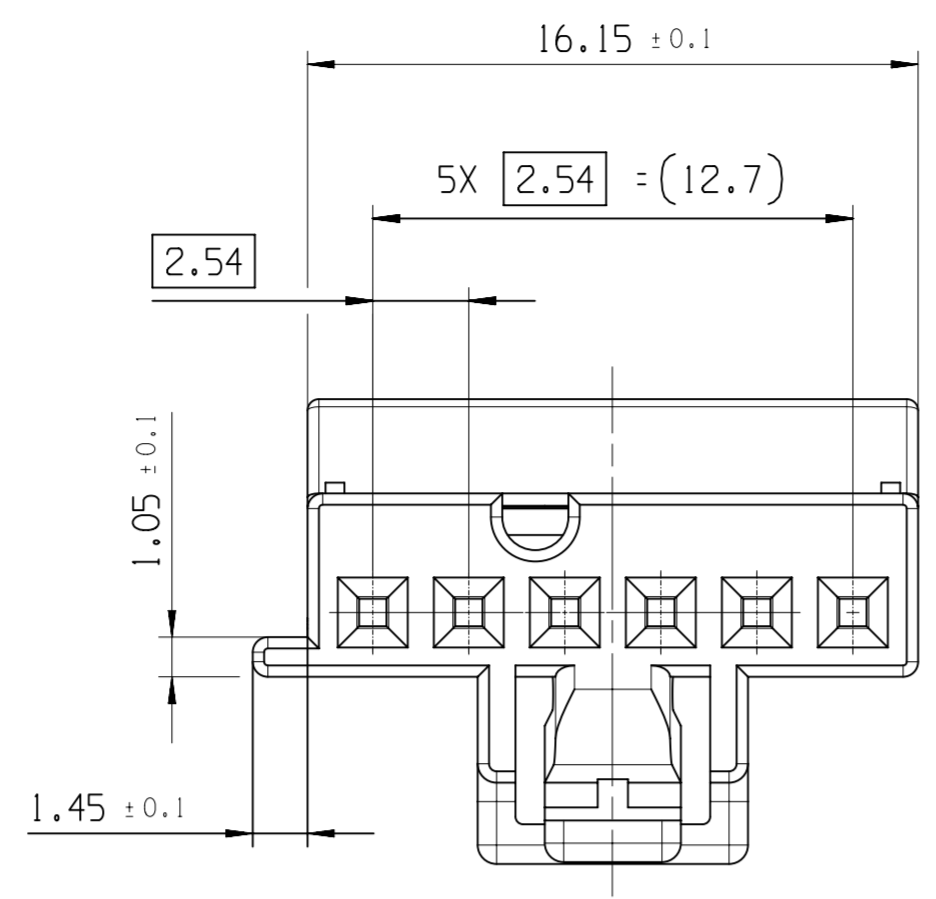
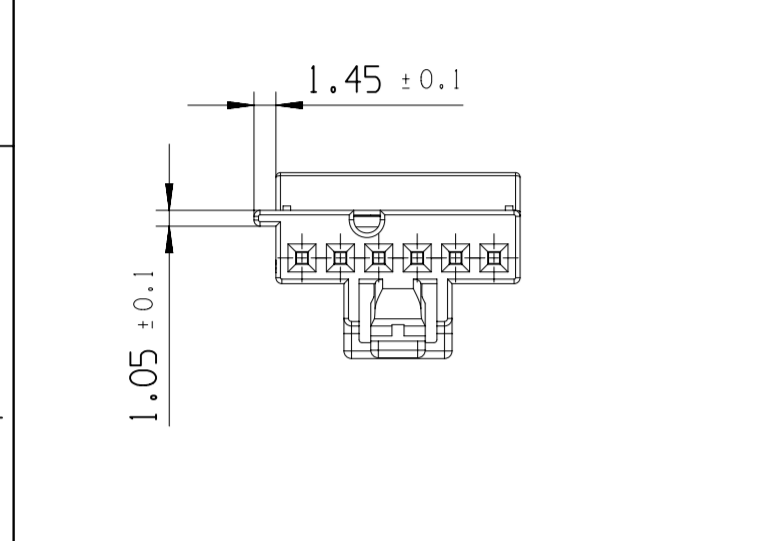


RECEPTACLE HOUSING 6 WAY

APTIV P/N	CODING
13543937	CODING - A



13543938	CODING - B
----------	------------

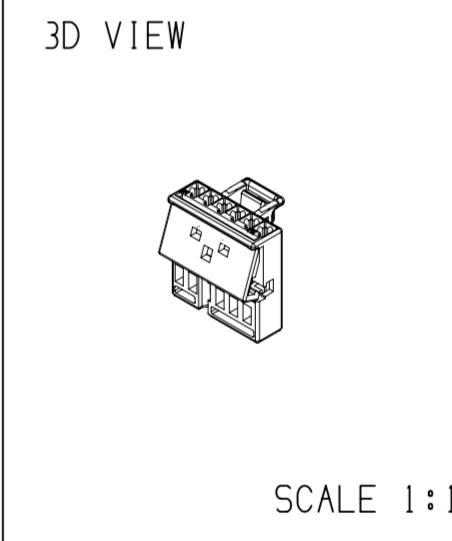


ASSOCIATED PARTS (FOR INFORMATION)					
DESCRIPTION	APTIV P/N	WIRE SECTION	DIAMETER OF WIRE SIZE		
MATING PART	13543944	-	-		
MQS 0.63 FEMALE TERMINAL	-	0.75mm ²	1.9		
MTS 0.63 FEMALE TERMINAL	13580658	0.75mm ²	1.9		
RECEPTACLE HOUSING 6 WAY	B	13543938	0.00123	PBT GF10	NATURE
	A	13543937	0.00123	PBT GF10	BLACK
DESCRIPTION	CODE	APTIV PART NUMBER	WEIGHT (kg)	MATERIAL	COLOR

NOTE	SPECIFICATIONS
1	FEMALE CONNECTOR ACCORDING TO APTIV SPECIFICATION: CAQE TBD
2	FEMALE CONNECTOR ACCORDING TO: - TEMPERATURE CLASS TX - ENGINE VIBRATOR CLASS VX - SEALING CLASS EX
3	USER'S MANUAL: 13543939-CUS74-S01
4	DELIVERY CONNECTOR WEIGHT : SEE TABLE
5	NO WAFER HINGE OR WAFER HINGE BROKEN ALLOWED
6	VISUAL DEFECTS ON NO FUNCTIONAL AREAS ALLOWED
△	MATERIAL NAME
△	TOOL CAVITY NUMBER
△	INDEX REPLACEMENT INSERT
△	PART CAVITY NUMBER
△	SUPPLIER LOGO
△	REPLACEMENT INSERT BLANK
△	DATE INSERT

DIM TO CHECK	DIMENSIONAL RANGE (MM)										CHART	EL
	FROM	> 0	> 20	> 30	> 70	> 100	> 150	> 200	> 250	> 300		
() DIM FOR HELP	> 0	> 20	> 30	> 70	> 100	> 150	> 200	> 250	> 300	> 400		
□ THEORETIC DIM	±0.15	±0.2	±0.3	±0.4	±0.5	±0.6	±0.8	±1	±1.2			

DWG STATUS				ZONE	REVISION HISTORY				AUTH	DR	APVD 1	APVD 2
DATE	STG	REV	N/P/CHG		INITIAL RELEASE					P.BAL	M.LAG	M.LAG
22NO21	R	01										



DWG TYP	CUSTOMER PART DRAWING
WEIGHT (GR)	---
SEE CHART	DISTR CODE
VOLUME (CM ³)	---
ROUTING	---

UNLESS OTHERWISE SPECIFIED

GENERAL TOLERANCES ACCORDING TO: SEE CHART

GD&T ACCORDING TO: ISO 1101

• APTIV •

CONNECTION SYSTEMS
Chennai, India
COPYRIGHT 2021 APTIV. ALL RIGHTS RESERVED.

THIS DRAWING IS THE PROPERTY OF APTIV AND CONTAINS APTIV CONFIDENTIAL INFORMATION. THE REPRODUCTION, DISTRIBUTION AND UTILIZATION OF THIS DOCUMENT OR ITS RELATED CAD MATH DATA, AS WELL AS COMMUNICATION OF ANY CONTENT TO OTHERS, WITHOUT EXPRESS AUTHORIZATION, IS PROHIBITED.

DR	P.BALAJI	DATE	22NO21
APVD1	LAGUETTE MAURICE		22NO21
APVD2	LAGUETTE MAURICE		22NO21
APVD3			
APVD4			
APVD5			

SUBSTANCES OF CONCERN AND RECYCLED CONTENT PER APTIV 10949001

MATERIAL: SEE CHART

DRAWING NAME: RECEPTACLE HOUSING 6 WAY FOR MQS 0.63

DRAWING NUMBER: 13543939

SIZE	A1	SCALE	5:1	FRAME NO	1 OF 1	SHEET NO	1 OF 1	STG	R	REV	01	N/P	
------	----	-------	-----	----------	--------	----------	--------	-----	---	-----	----	-----	--