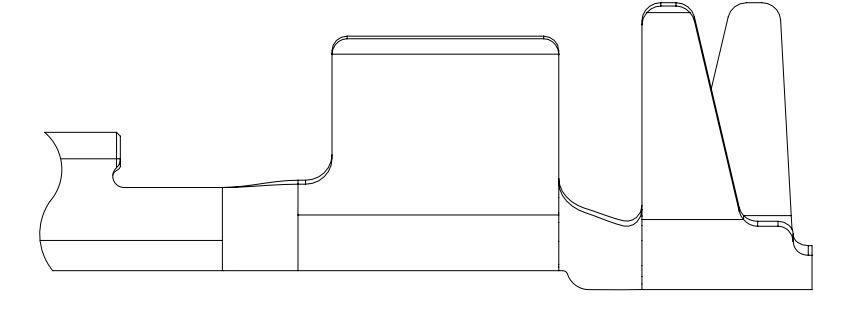
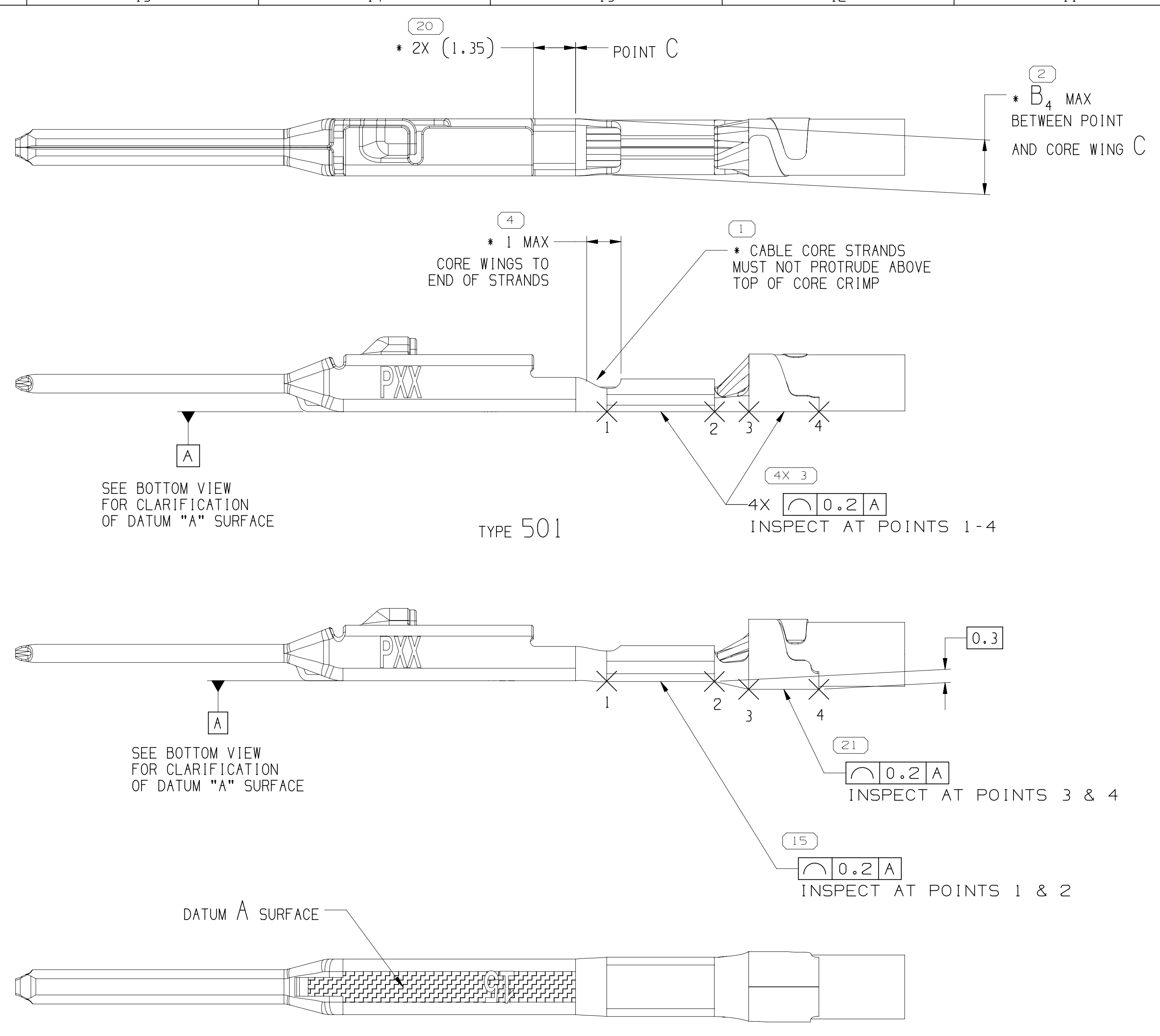
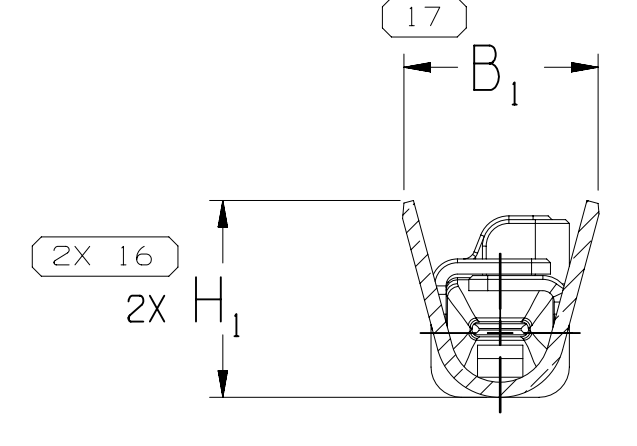
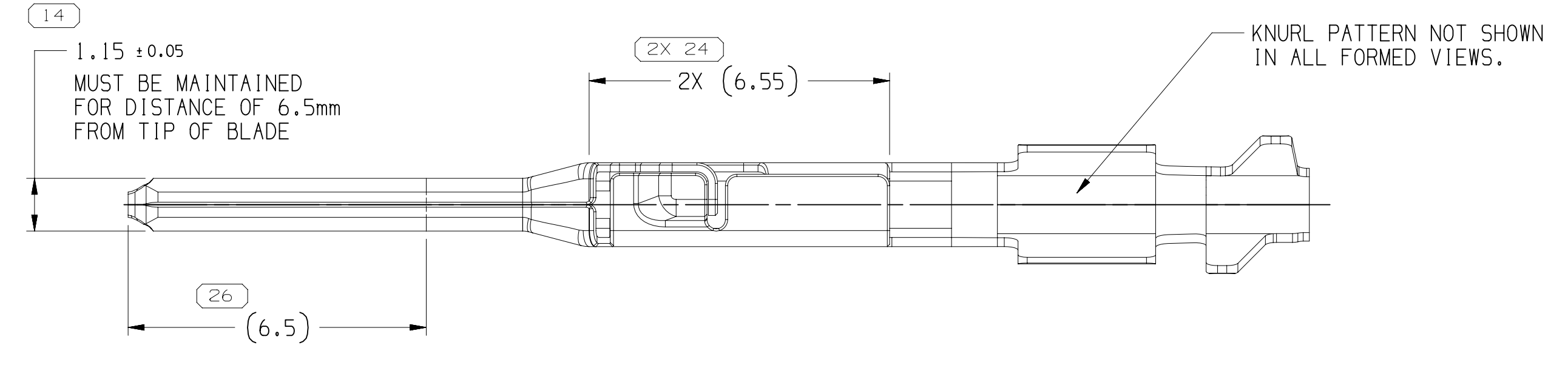
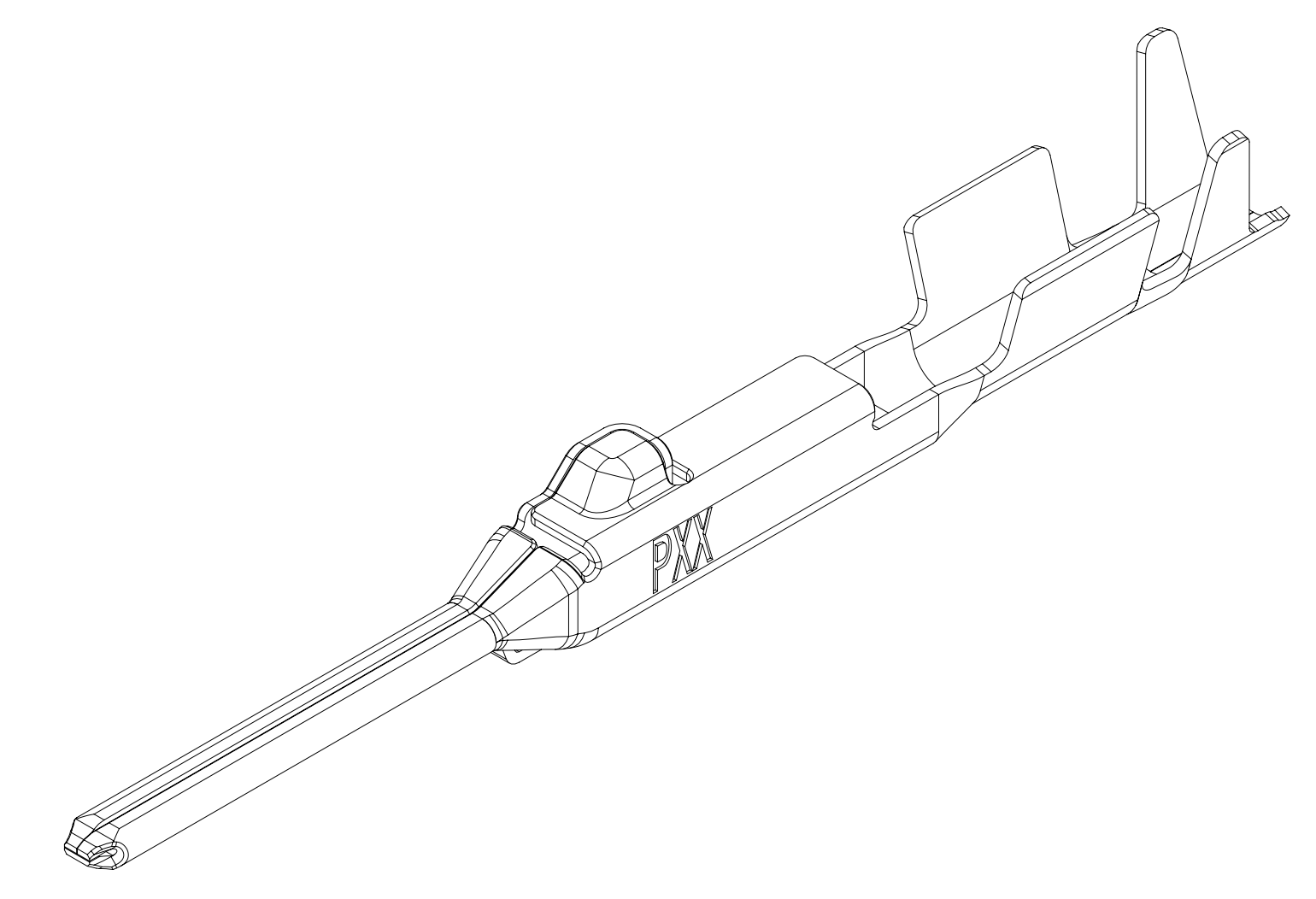


SYMBOL DEFINITION		TOTAL NO OF INSPECTIONS REQUIRED	MISSING SYMBOLS
A	DIMENSION WITHOUT AN INSPECTION REPORT SYMBOL DOES NOT REQUIRE INSPECTION. IT MAY BE CONTROLLED ON THE INDIVIDUAL COMPONENT DRAWING.	32	NO MISSING SYMBOL NUMBER
		LAST NO. USED	26

DWG STATUS	DATE	STG	REV	N/P	CHG	ZONE	REVISION HISTORY	AUTH	DR	APVD	APVD
02AP18	R	01	-	-	-		ALL PARTS - RELEASED PART DRAWING	439407	ACC	ACC	RBS
05.N18	R	02	-	-	-		ALL PARTS - UPDATED PART AVAILABILITY	440057	LES	LES	VMR
22.N18	R	03	-	-	-		35091060 - "TYPE 502 SAME AS TYPE 501" WAS "TYPE 402 SAME AS TYPE 401"; 35091061-63 - REMOVED "Z SURFACES" LABEL ON DIM #33 ALL PARTS - REVISED TYPES ON "CRIMP CONFIGURATION" NOTE	440154	LXA	JAA	RBS
02AU18	R	04	-	-	-		ALL PARTS - UPDATED PDM ATTRIBUTES; 35091061-62 - UPDATED VALUES ON B ₄ COLUMN	440513	DAV	JAA	LES
10FE20	R	05	-	-	-		35412744 - RELEASED; 35091062 - CABLE SIZE WAS 0.35 - 0.5 AND CABLE DIAMETER 1.2 - 1.83	550796	JGO	GLG	RBS
04.N20	R	06	-	-	-		35412744 - B ₂ WAS 1.8 AND (H ₂) WAS 1.8	551618	LGD	JAA	RBS
15.JL20	R	07	-	-	-		35412744 - UPDATED PART AVAILABILITY	551994	JLL	JAA	RBS

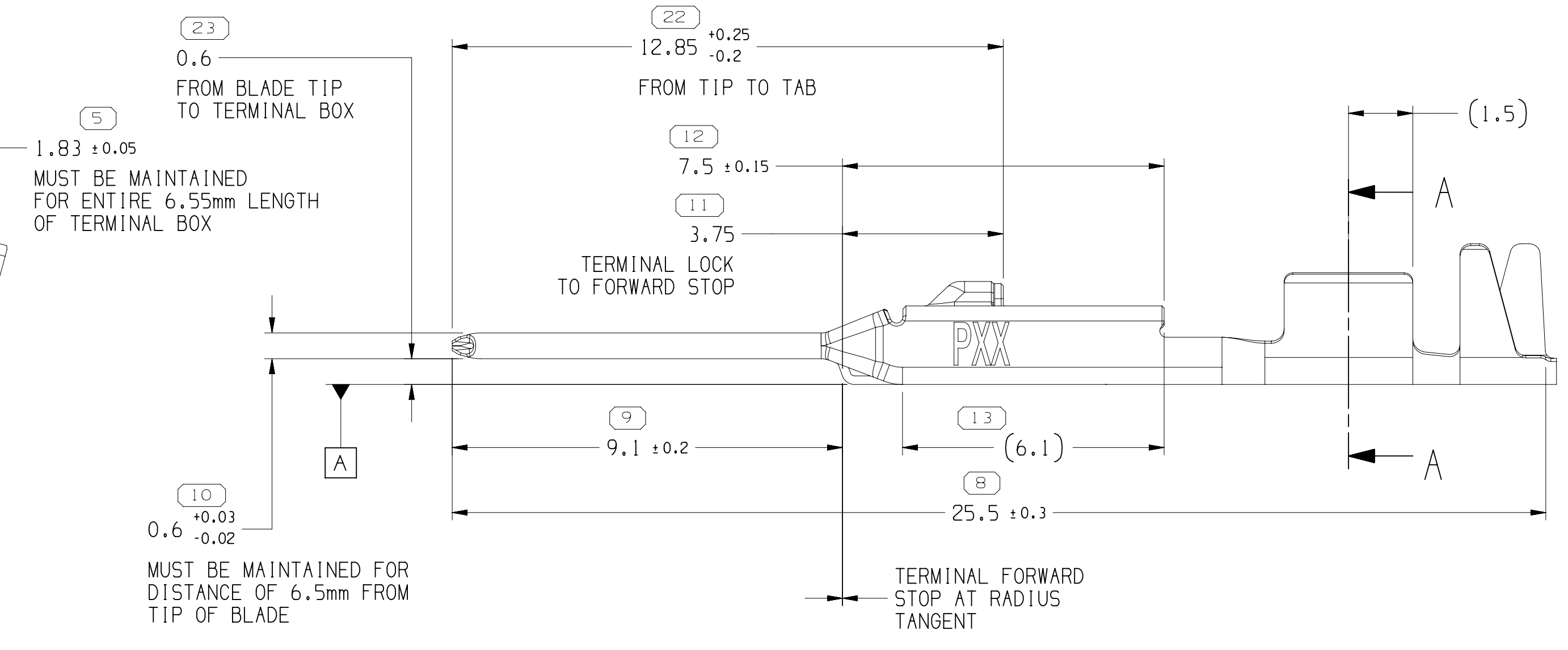
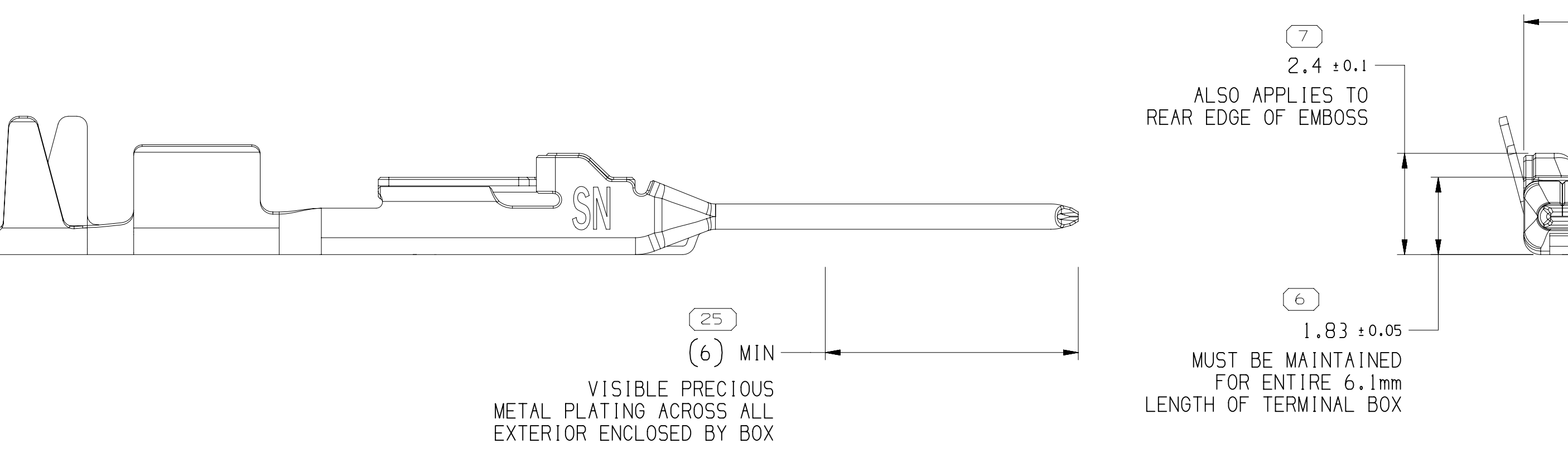


TYPE 502
SAME AS TYPE 501
EXCEPT AS SHOWN

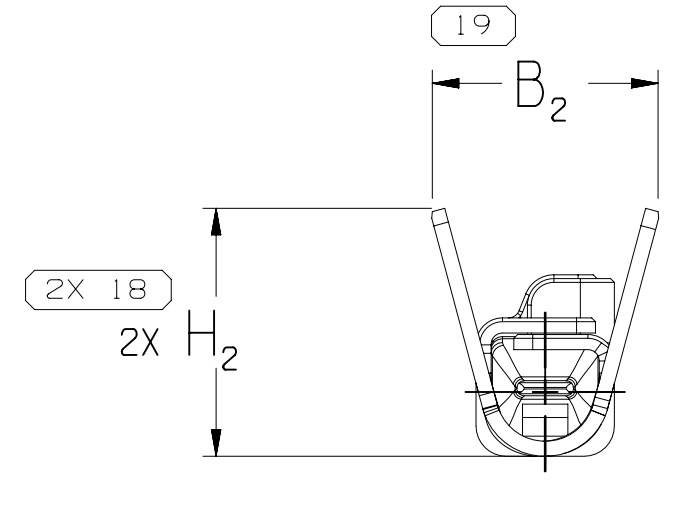


SECTION A-A

TYPE 502
SAME AS TYPE 501
EXCEPT AS SHOWN
TERMINAL, CABLE ALIGNMENT & POSITION



TYPE 501



NOTES

- UNLESS OTHERWISE SPECIFIED AND/OR INDICATED:
DIMENSIONS ARE TO FACE OF VIEW SHOWN AND AUTOMATICALLY ROUNDED BY COMPUTER FOR INSPECTION (SEE MATH MODEL FOR PRECISE DIMENSIONS). FOR ALL OTHER DIMENSIONS NOT SHOWN BUT REQUIRED FOR TOOL BUILD, SEE MATH MODEL FOR PRECISE TOOL PATH DATA.
- FOR TYPE 501 WITH CABLE SIZES UP TO 1.9mm O.D.; MAXIMUM INSULATION CRIMP WIDTH OF 1.9mm AND HEIGHT 1.9mm; MAXIMUM CORE CRIMP WIDTH IS 1.9mm.
FOR TYPE 501 WITH CABLE SIZES GREATER THAN 1.9mm BUT LESS THAN 2.34mm O.D.; MAXIMUM INSULATION CRIMP WIDTH OF 2.25mm AND HEIGHT 2.35mm; MAXIMUM CORE CRIMP WIDTH IS 1.9mm.
FOR TYPE 502 WITH CABLE SIZES UP TO 2.4mm O.D.; MAXIMUM INSULATION CRIMP WIDTH OF 2.6mm AND HEIGHT 2.6mm; MAXIMUM CORE CRIMP WIDTH IS 1.9mm.
- PLATING TYPE:
I. REFLOW TIN 1.9 - 3.3 MICROMETERS THICK OVER NICKEL UNDERPLATE 0.13 - 0.5 MICROMETERS THICK.
II. SILVER 1.0 - 2.0 MICROMETERS THICK OVER NICKEL UNDERPLATE 0.127 - 0.254 MICROMETERS THICK.
III. MATTE TIN 1.9 - 7.0 MICROMETERS THICK OVER NICKEL UNDERPLATE 0.127 - 0.254 MICROMETERS THICK.
IFOR USE WITH SELECTIVE SILVER PLATING SPECIFICATION)
PLATING TYPE INFORMATION SHOWN ABOVE IS REFERENCE ONLY.
PLATING REQUIREMENTS ARE CONTAINED IN APPLICABLE MATERIAL SPECIFICATION.
- MAXIMUM CURRENT CAPACITY AS DEFINED BY USCAR-2 R6 SECTION 5.3.3 IS 16.5 AMPS WITH 1.5mm² COPPER CABLE.
- * DENOTES DIMENSIONS MADE AT CUT-OFF AND CRIMP DIE
- REFERENCE MATING COMPONENTS OR EQUIVALENTS:
TERMINAL 35072409
- PARTS MEET THE PERFORMANCE REQUIREMENTS OF GWM3191 JUNE 2012 AND SAE/USCAR-2 R6 REVISION FOR THE FOLLOWING CLASSIFICATIONS:
TEMPERATURE CLASS 3 (-40° TO 125° C)
VIBRATION CLASS 1 (ION BODY OR CHASSIS)
SEALING CLASS 1 (UNSEALED) FOR CABLE I.D. 25 & 15
SEALING CLASS 2 OR 3 (SEALED CONNECTOR DEPENDENT) FOR CABLE I.D. 21 & 18
- FOR TERMINALS PACKAGED & STORED IN THE APPROVED MANNER, TARNISH ON SILVER PLATED SURFACES WILL NOT AFFECT THE PERFORMANCE OF THE PART.
- 15 CABLE I.D. P/N IS NOT APPROVED FOR USE IN SUMITOMO CONNECTOR HOUSINGS - THE TERMINAL-CONNECTOR POLARIZATION FEATURE IN THE CONNECTOR CAVITY DOES NOT MEET REQUIREMENTS.

PART NUMBER	REV	N/P	CABLE I.D. STATUS	TYPE	MATERIAL SPECIFICATION	MATERIAL SIZE	CONTACT AREA PLATING TYPE (SEE NOTE 3)	CRIMP AREA PLATING TYPE (SEE NOTE 3)	CONTACT PLATING I.D.	CABLE I.D.	CABLE SIZE (mm ²)	CABLE DIAMETER	B ₁ +/- 0.15	B ₂ +/- 0.25	B ₄	(H ₁)	(H ₂)
35091063	01	AC	-	501	TIN PLATED COPPER ALLOY	0.2 X 29.5	I	I	SN	25	0.13 - 0.22	0.81 - 1.2	1.5	1.8	1.88	1.4	1.8
35412744	01	AB	-	501	TIN PLATED COPPER ALLOY	0.2 X 23.5	I	I	SN	22	0.35	1.2 - 1.7	1.85	2.85	1.88	1.75	3.15
35091062	01	AD	-	501	TIN PLATED COPPER ALLOY	0.2 X 29.5	I	I	SN	21	0.5	1.4 - 1.9	2.1	2.85	1.88	2.05	3.15
35091061	01	AC	-	501	TIN PLATED COPPER ALLOY	0.2 X 29.5	I	I	SN	18	0.75 - 1.0	1.7 - 2.34	2.6	3	1.88	2.6	3.3
35091060	01	AC	SEE NOTE #9	502	TIN PLATED COPPER ALLOY	0.2 X 29.5	I	I	SN	15	1.25 - 1.5	1.8 - 2.4	3.1	3.9	2.2	3.1	3.8

DIR	DATE
APVD1: A. GARCIA CABELLO	02AP18
APVD2: A. GARCIA CABELLO	02AP18
APVD3: ROBERT B. SNADER	03AP18
APVD4:	
APVD5:	

DATE	STG	REV	N/P	CHG	ZONE
02AP18	R	01	-	-	
05.N18	R	02	-	-	
22.N18	R	03	-	-	
02AU18	R	04	-	-	
10FE20	R	05	-	-	
04.N20	R	06	-	-	
15.JL20	R	07	-	-	

APTIV
CONNECTION SYSTEMS
WARREN, OH
COPYRIGHT 2018 APTIV. ALL RIGHTS RESERVED.
THIS DRAWING IS THE PROPERTY OF APTIV AND CONTAINS APTIV CONFIDENTIAL INFORMATION. THE REPRODUCTION, DISTRIBUTION AND UTILIZATION OF THIS DOCUMENT OR ITS RELATED CAD DATA, AS WELL AS COMMUNICATION OF ANY CONTENT TO OTHERS, WITHOUT EXPRESS AUTHORIZATION, IS PROHIBITED.

UNLESS OTHERWISE SPECIFIED
THIS DOCUMENT IS IN ACCORDANCE WITH ASME Y14.5M-1994 AS MODIFIED BY THE 0M GLOBAL DIMENSIONING AND TOLERANCING ADDENDUM-2003. SEPARATE PATTERNING OF FEATURES MAY BE MADE SEPARATELY REGARDLESS OF DATUM REFERENCES.
ALL DIMENSIONS ARE IN MILLIMETERS

5 PROCESS SENSITIVE DIMENSION
DIMENSIONS ENCLOSED IN () INDICATE REFERENCE DIMENSING AND NO TOLERANCE LIMITS ARE ESTABLISHED.
FROM 0 TO 12 CHART D
TOLERANCE UNLESS OTHERWISE SPECIFIED:
ANGULAR TOLERANCE ±2°

THIRD ANGLE PROJECTION
DO NOT SCALE
USE MATH DATA

DRAWING NUMBER
TAXI TERM M OCS 1.2
33101338
SIZE SCALE FRAME NO SHEET NO STG REV N/P
A0 10:1 1 OF 1 5 OF 1 R 07 -