
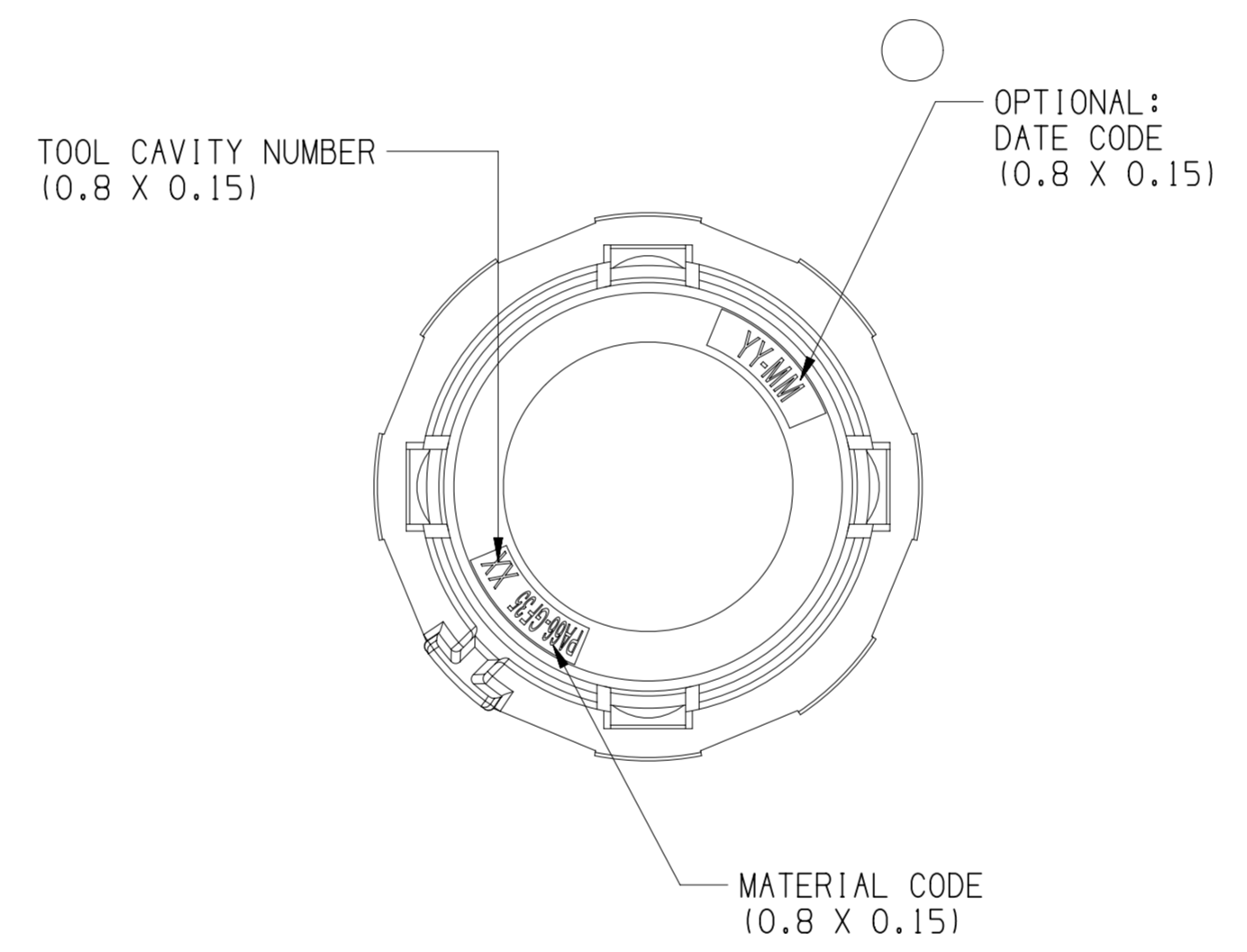
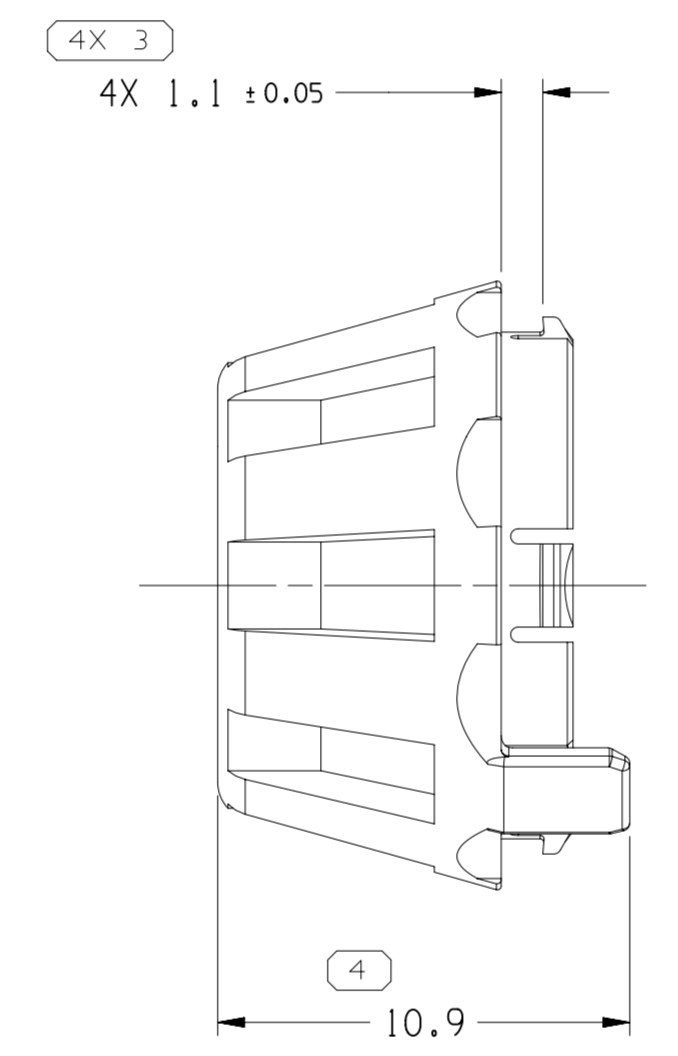
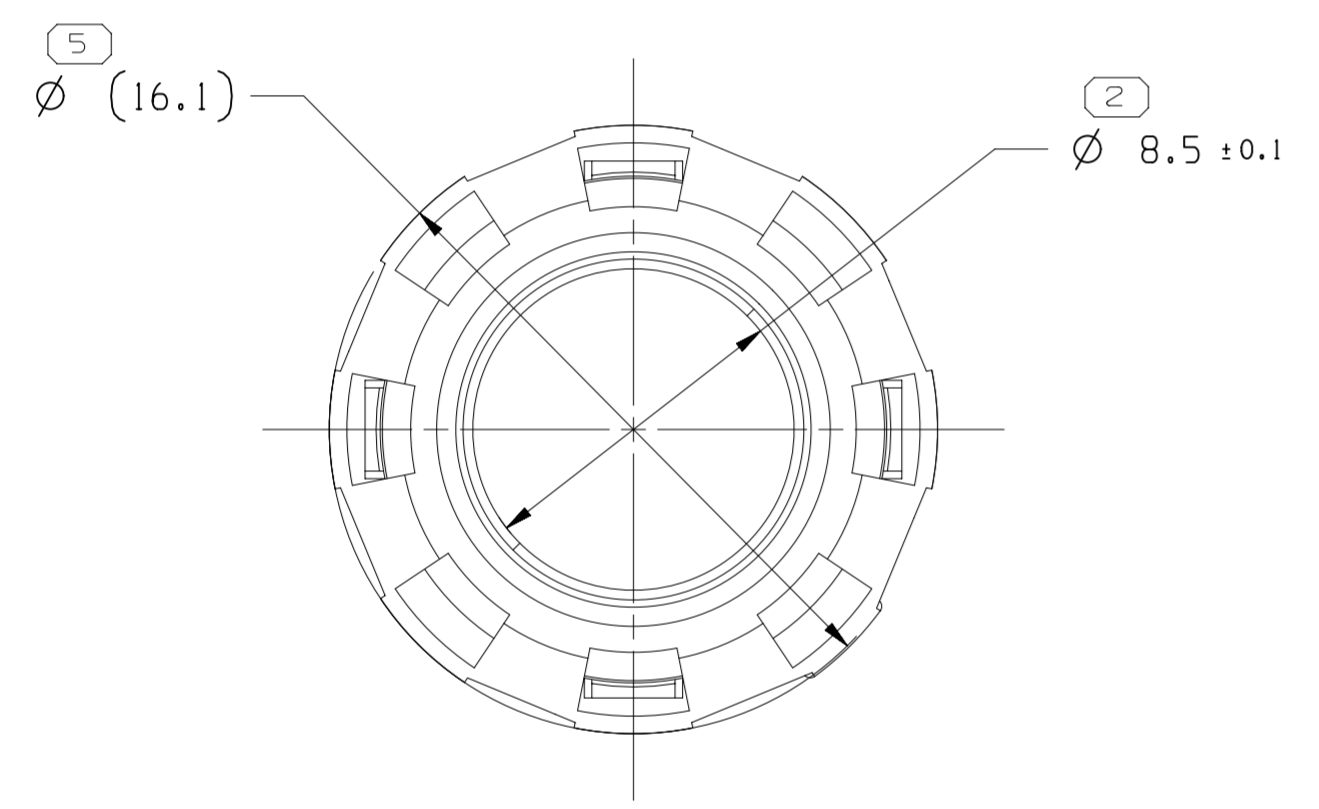
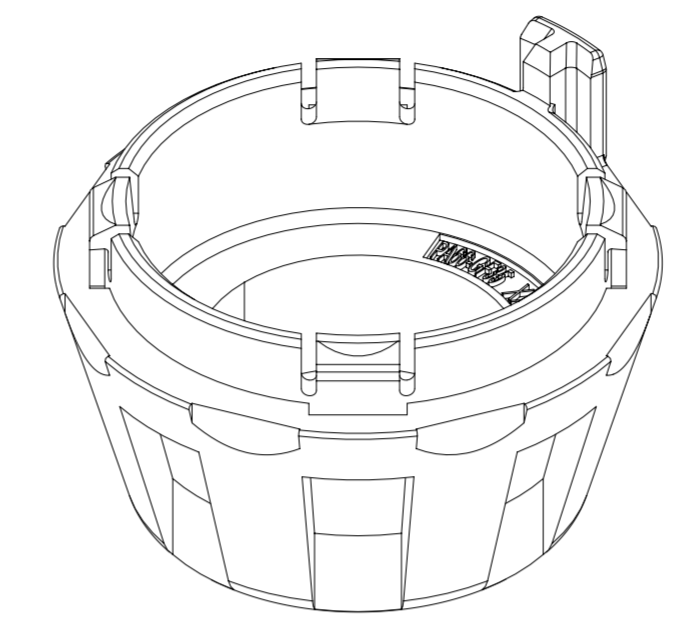
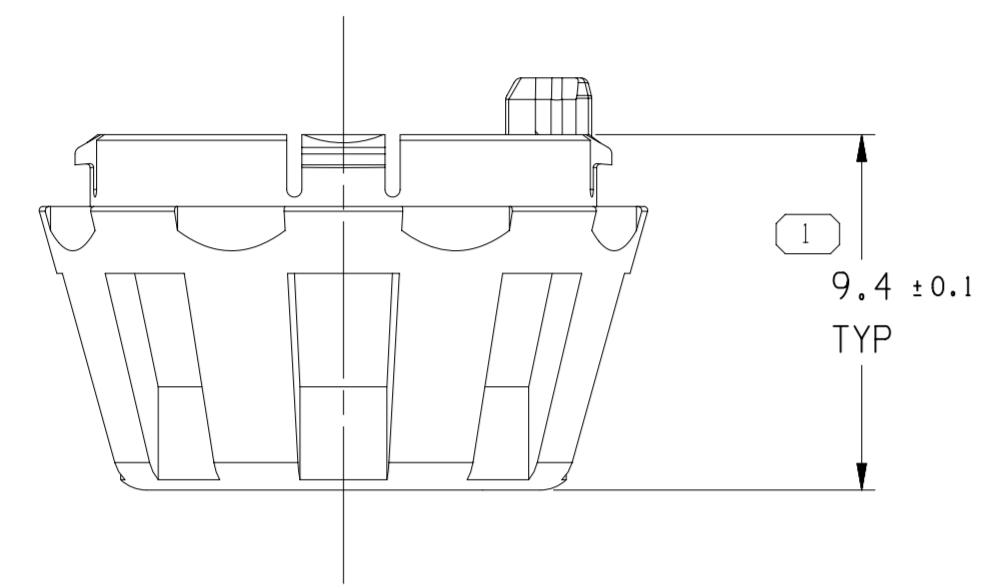


SYMBOL DEFINITION		
A DIMENSION WITHOUT AN INSPECTION REPORT SYMBOL  DOES NOT REQUIRE INSPECTION. IT MAY BE CONTROLLED ON THE INDIVIDUAL COMPONENT DRAWING.	TOTAL NO OF INSPECTIONS REQUIRED	8
	LAST NO. USED	5

MISSING SYMBOLS					NO MISSING SYMBOL NUMBER	
DATE	STG	REV	N/P	CHG	ZONE	
18DE17	R	01	-	-		CREATED PART DRAWING
29NO18	R	01	AA	-		UPDATED PDM ATTRIBUTE
08MY21	R	01	AB	-		ADDED CHANGAN PN 35553967

REVISION HISTORY					AUTH	DR	APVD 1	APVD 2
18DE17	R	01	-	-	438642	HWH	WGJ	AM
29NO18	R	01	AA	-	436744	AM	YT	AM
08MY21	R	01	AB	-	447276	YLX	AM	YLX



NOTES:

- UNLESS OTHERWISE SPECIFIED AND/OR INDICATED:
DIMENSIONS ARE TO FACE OF VIEW SHOWN AND AUTOMATICALLY ROUNDED BY COMPUTER FOR INSPECTION (SEE MATH MODEL FOR PRECISE DIMENSIONS). FOR ALL OTHER DIMENSIONS NOT SHOWN BUT REQUIRED FOR TOOL BUILD, SEE MATH MODEL FOR PRECISE TOOL PATH DATA.
- THIS PART IS USED TO MATCHING PARTS ON DRAWING 33355780.
- THIS PRODUCT IS NOT CATEGORIZED AS AN APPEARANCE ITEM, MINOR IMPERFECTIONS INCLUDING, BUT NOT LIMITED TO, FLOW MARKS, COLOR BLEMISHES, GATE VESTIGE, AND SOFT FLASH THAT DO NOT AFFECT THE FIT, FORM, OR FUNCTION OF THE PART ARE PERMISSIBLE PER EANP-4-3-CS-01-EN.

PART NO	REV	N/P	DESCRIPTION	MATERIAL AND COLOR	VOLUME (CM ³)
35553967	01	-	OUTER INSULATION	POLYAMIDE, BLK	0.541
35172730	01	-	OUTER INSULATION	POLYAMIDE, BLK	0.541

DIMENSIONAL RANGE (MM)		CHART M	
FROM	TO	6	400
> 0	> 6	> 30	> 120
> 6	> 30	> 120	> 160
> 30	> 120	> 160	> 200
> 120	> 160	> 200	> 250
> 160	> 200	> 250	> 315
> 200	> 250	> 315	> 400

TOLERANCE UNLESS OTHERWISE SPECIFIED

±0.1	±0.2	±0.3	±0.4	±0.45	±0.55	±0.7	±0.85	±1.05
------	------	------	------	-------	-------	------	-------	-------

ANGULAR TOLERANCE ±1°

A LINE DRAWN THROUGH A PART NUMBER INDICATES THAT PHYSICAL PARTS ARE NOT AVAILABLE FOR ORDERING.

PART NUMBERS THAT DO NOT HAVE A LINE PRESENT INDICATE THAT PHYSICAL PARTS ARE AVAILABLE FOR ORDERING.

CONTACT APTIV SALES TO ASSURE AVAILABILITY OF PARTS.

DWG TYPE: PART DRAWING

STYLE: SEE CHART

VOLUME (CM³): SEE CHART

DISTR CODE: D

UNLESS OTHERWISE SPECIFIED

THIS DOCUMENT IS IN ACCORDANCE WITH ASME Y14.5M-1994 AS AMENDED BY THE GM GLOBAL DIMENSIONING AND TOLERANCING ADDENDUM-2001. SEPARATE PATTERNS OF FEATURES MAY BE GAGED SEPARATELY REGARDLESS OF DATUM REFERENCES.

ALL DIMENSIONS ARE IN MILLIMETERS

THIRD ANGLE PROJECTION

DO NOT SCALE

USE MATH DATA

NX

• APTIV •

CONNECTION SYSTEMS

Anting, China

COPYRIGHT 2018 APTIV. ALL RIGHTS RESERVED.

THIS DRAWING IS THE PROPERTY OF APTIV AND CONTAINS APTIV CONFIDENTIAL INFORMATION. THE REPRODUCTION, DISTRIBUTION AND UTILIZATION OF THIS DOCUMENT OR ITS RELATED CAD MATH DATA, AS WELL AS COMMUNICATION OF ANY CONTENT TO OTHERS, WITHOUT EXPRESS AUTHORIZATION, IS PROHIBITED.

DR	DATE
APVD1 HUIWEI HUANG	16JA18
APVD2 WEIGUO JIANG	16JA18
APVD3 ARTHUR MA	16JA18
APVD4	
APVD5	

SUBSTANCES OF CONCERN AND RECYCLED CONTENT PER APTIV 10949001

MATERIAL: SEE CHART

DRAWING NAME: TAXI LOCK COV

DRAWING NUMBER: 35172731

SIZE: A1	SCALE: 5:1	FRAME NO: 1 OF 1	SHEET NO: 1 OF 1	STG: R	REV: 01	N/P: AB
----------	------------	------------------	------------------	--------	---------	---------