
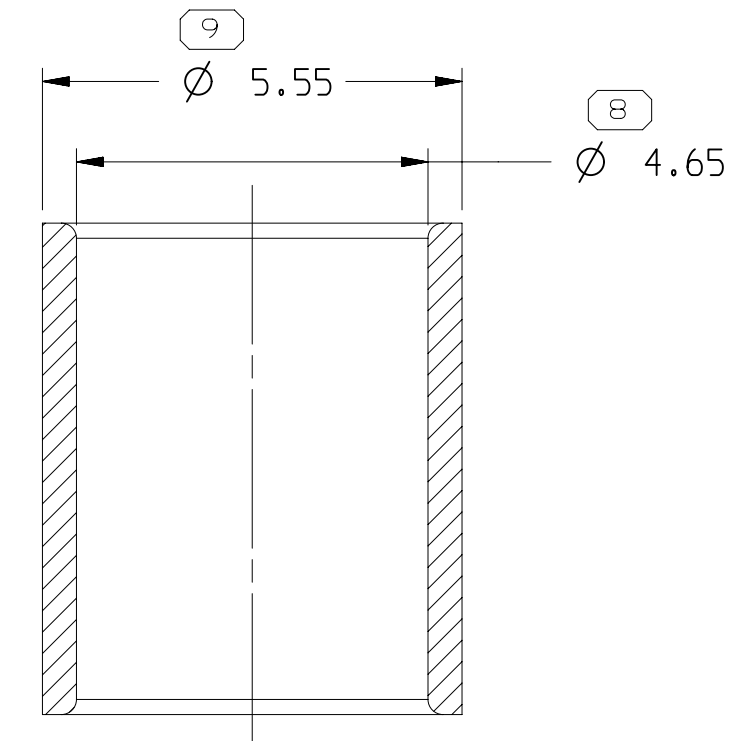
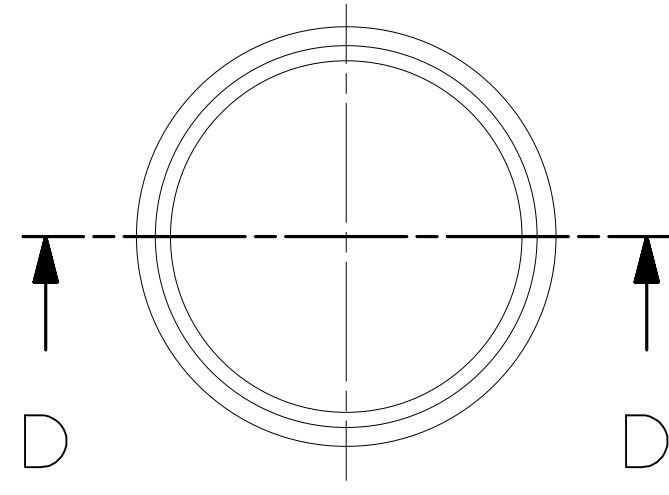
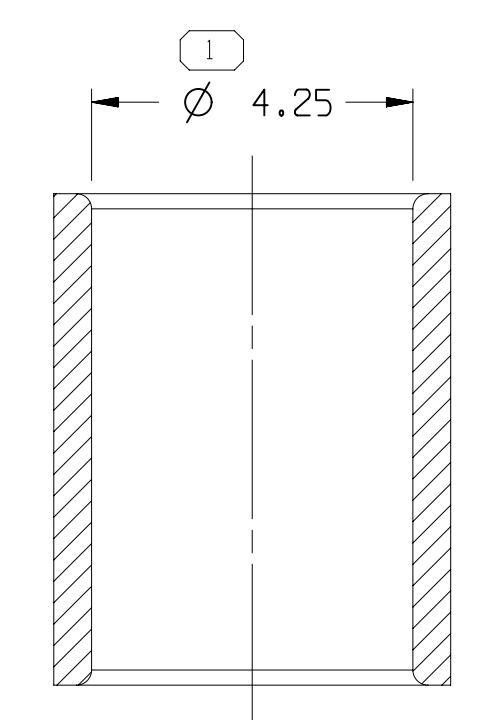
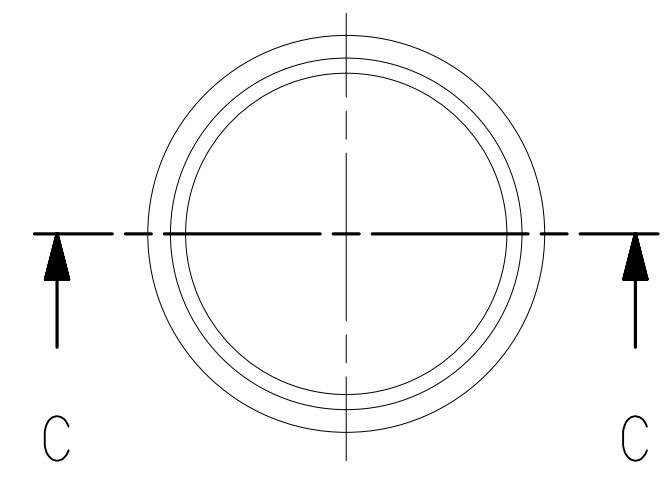
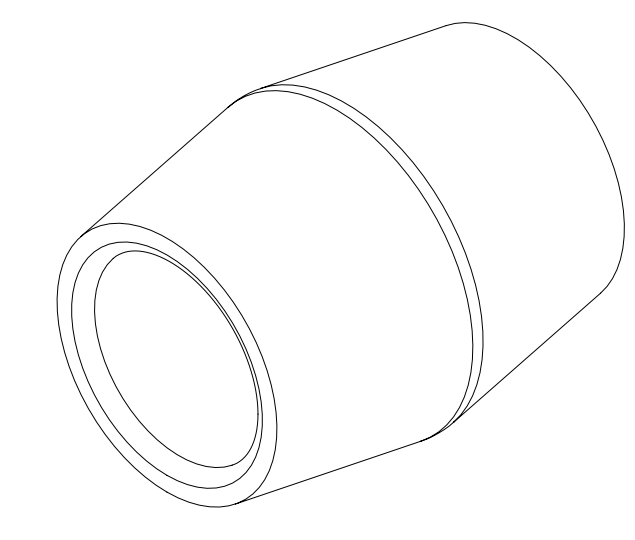


SYMBOL DEFINITION		MISSING SYMBOLS	
A DIMENSION WITHOUT AN INSPECTION REPORT SYMBOL  DOES NOT REQUIRE INSPECTION. IT MAY BE CONTROLLED ON THE INDIVIDUAL COMPONENT DRAWING.	TOTAL NO OF INSPECTIONS REQUIRED	NO MISSING SYMBOL NUMBER	11
	LAST NO. USED		9

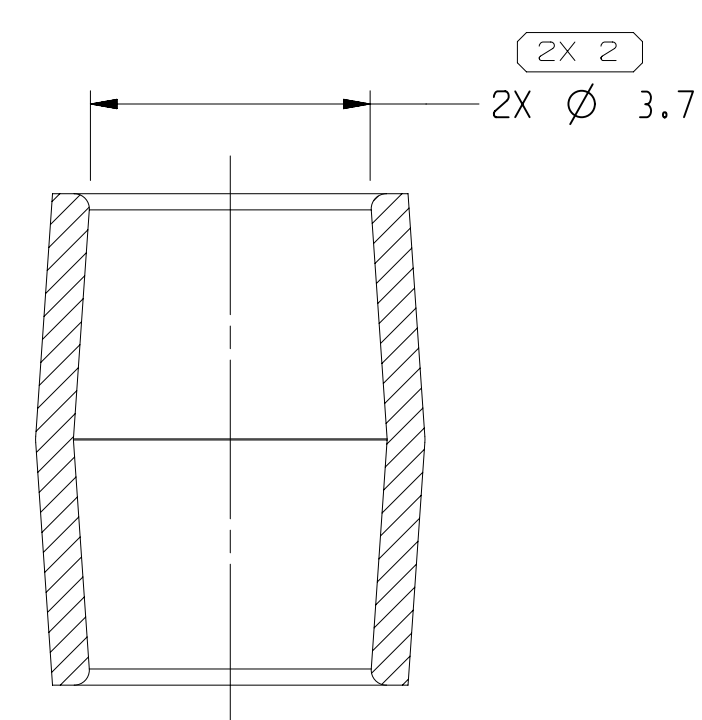
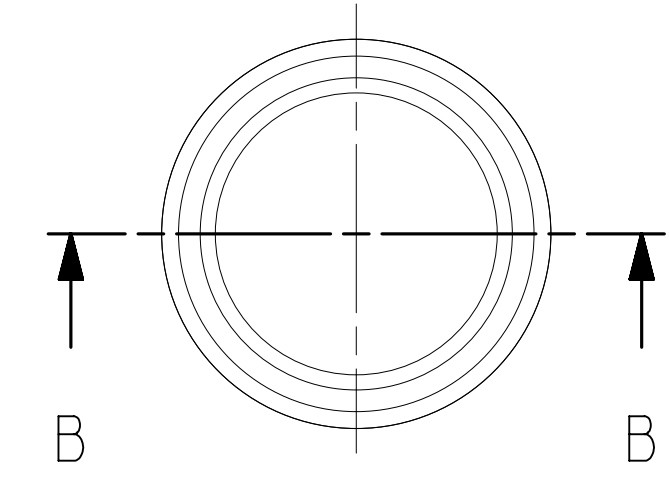
DWG STATUS					ZONE	REVISION HISTORY	AUTH	DR	APVD1	APVD2
DATE	STG	REV	N/P	CHG						
16MR09	R	02	-	-	-	CREATED PART DRAWING 13737698 WAS PE184446 & RELEASED AT REVISION 02 13737699 WAS PE184447 & RELEASED AT REVISION 02 13737700 WAS PE184545 & RELEASED AT REVISION 02	406568	LLJ	LLJ	RL
14AU09	R	03	-	-	-	ALL PARTS - DIM 5 WAS 3.25±0.25	408645	LLJ	LLJ	RL
08OC09	R	04	-	-	-	CBL RANGE FOR 13737698 WAS 2.71-287. CBL RANGE FOR 13737700 WAS 3.91-4.07. DIM 1 WAS (4.15)-PRINT MATCH PART ADDED NOTES TO DIM 4 & 5. ADDED NOTES 2 & 3.	409171	LLJ	LLJ	TG
04DE09	R	05	-	-	-	REVISED PLATING NOTE - MATTE TIN PLATING WAS 0.0008 MICROINCHES.	409601	LLJ	LLJ	JN
30MR10	R	06	-	-	-	ALL PARTS - ADDED SAE NOTE	410346	HRS	HRS	WTM
08JN10	R	07	-	-	-	ALL PARTS - REVISED PLATING NOTE, THK CALLOUT WAS 0.0008 MICROINCHES	410972	AJP	JAA	JN
09NO15	R	08	-	-	-	33292550 - RELEASED	430970	AHG	AHG	BT
18JL16	R	09	-	-	-	33292550 - ADDED PROCESS SENSITIVE DIMENSION NOTE AND UPADTED PART AVAILABILITY	433704	AGC	JVM	BT
09FE18	R	10	-	-	-	ALL PARTS - UPDATED "USED IN CONJUNCTION" NOTE	439000	DAV	JVM	BT
02OC19	R	11	-	-	-	33292550 - 3.9-4.3 WAS 5.4-6.0 ON INSULATION DIAMETER COLUMN	550102	GLG	GLG	BT



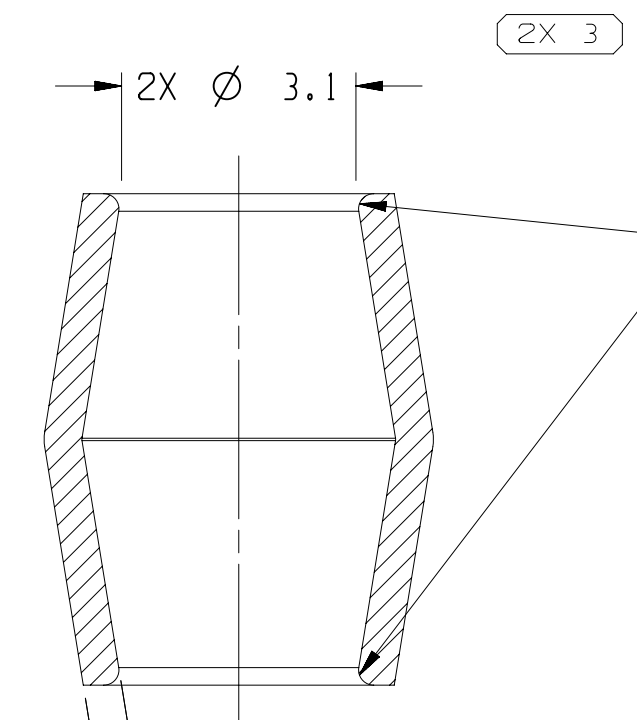
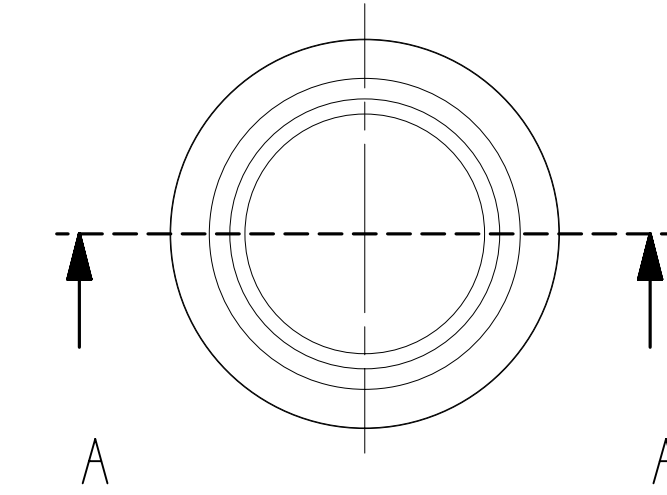
SECTION D-D  
TYPE 104  
SAME AS TYPE 103  
EXCEPT AS SHOWN



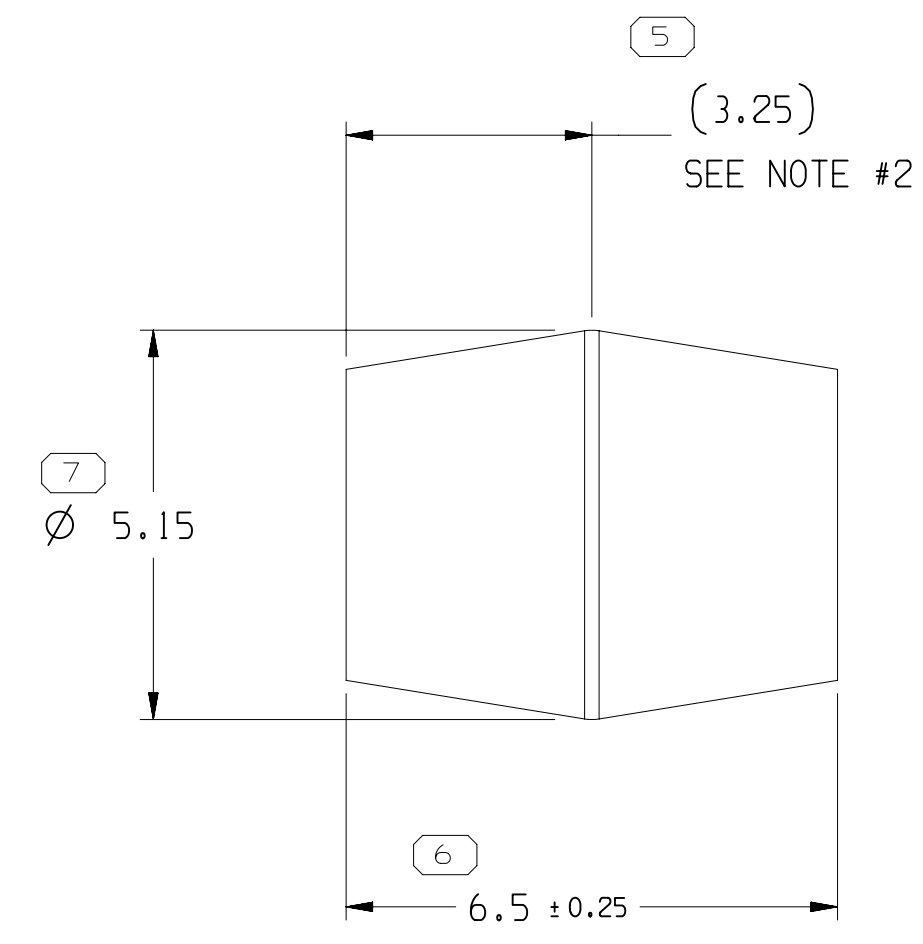
SECTION C-C  
TYPE 103  
SAME AS TYPE 101  
EXCEPT AS SHOWN



SECTION B-B  
TYPE 102  
SAME AS TYPE 101  
EXCEPT AS SHOWN



SECTION A-A  
TYPE 101  
0.5 TYP  
PRIOR TO DEEP DRAW  
(0.4)  
FINAL THICKNESS



NOTES

- UNLESS OTHERWISE SPECIFIED AND/OR INDICATED:  
DIMENSIONS ARE TO FACE OF VIEW SHOWN AND AUTOMATICALLY ROUNDED BY COMPUTER FOR INSPECTION (SEE MATH MODEL FOR PRECISE DIMENSIONS). FOR ALL OTHER DIMENSIONS NOT SHOWN BUT REQUIRED FOR TOOL BUILD, SEE MATH MODEL FOR PRECISE TOOL PATH DATA.
- DIM 5 IS THE POINT OF MEASUREMENT FOR DIM 7
- THE COMPONENTS ON THIS TAXI ARE USED IN CONJUNCTION WITH THE COMPONENTS ON TAXI 13737701.
- PART MECHANICAL AND ENVIRONMENTAL IS DESIGN TO CONFORM TO SAE/USCAR-37 (AUG 2008): CRIMP SHIELDED CABLE RETENTION FORCE IS 175N MIN.
- FOR PART 33292550 PROCESS SENSITIVE DIMENSION IS DIM #9.

PLATING NOTE

OVERPLATE: MATTE TIN PLATE  
99.9% 0.0008 INCHES MIN PER ASTM B545

33292550	01	AC	104	3.9 - 4.3	10 GA.
13737700	02	AF	103	3.84 - 4.09	10 GA.
13737699	02	AE	102	3.30 - 3.46	12 GA.
13737698	02	AF	101	2.57 - 2.87	14 GA.
PART NO	REV	N/P	TYPE	PRIMARY CONDUCTOR INSULATION DIAMETER	SHIELDED, JACKETED CABLE SIZE

DIMENSIONAL RANGE (MM)		CHART D
FROM	TO	
0	12	> 12
TOLERANCE UNLESS OTHERWISE SPECIFIED		
±0.1		±0.2
ANGULAR TOLERANCE ±2°		

LINE DRAWN THROUGH A PART NUMBER INDICATES THAT PHYSICAL PARTS ARE NOT AVAILABLE FOR ORDERING.

PART NUMBERS THAT DO NOT HAVE A LINE PRESENT INDICATE THAT PHYSICAL PARTS ARE AVAILABLE FOR ORDERING.

CONTACT APTIV SALES TO ASSURE AVAILABILITY OF PARTS.

DWG TYPE: PART DRAWING

STYLE: D

VOLUME (CM<sup>3</sup>):

DISTR CODE: D

UNLESS OTHERWISE SPECIFIED THIS DOCUMENT IS IN ACCORDANCE WITH ASME Y14.5M-1994 AS AMENDED BY THE GM GLOBAL DIMENSIONING AND TOLERANCING ADDENDUM-2001. SEPARATE PATTERNS OF FEATURES MAY BE GAGED SEPARATELY REGARDLESS OF DATUM REFERENCES.

ALL DIMENSIONS ARE IN MILLIMETERS

REFERENCE:

THIRD ANGLE PROJECTION

DO NOT SCALE

USE MATH DATA

SEE NOTE #5

**•APTIV•**  
DELPHI PACKARD ELECTRICAL/ELECTRONIC ARCHITECTURE  
WARREN, OH  
COPYRIGHT 2008 DELPHI CORPORATION AND/OR ITS AFFILIATES. ALL RIGHTS RESERVED.

THIS DRAWING IS THE PROPERTY OF DELPHI CORPORATION AND CONTAINS DELPHI CONFIDENTIAL INFORMATION. THE REPRODUCTION, DISTRIBUTION AND UTILIZATION OF THIS DOCUMENT OR ITS RELATED CAD MATH DATA, AS WELL AS COMMUNICATION OF ANY CONTENT TO OTHERS, WITHOUT EXPRESS AUTHORIZATION, IS PROHIBITED.

DR	DATE
APVD1 L. JONES	240C08
APVD2 L. JONES	240C08
APVD3 JOE GLADD	310C08
APVD4	
APVD5	

SUBSTANCES OF CONCERN AND RECYCLED CONTENT PER APTIV 10949001

MATERIAL CDA 110  
STOCK TEMPER IS ANNEALED PRIOR TO DEEP DRAWN  
SEE PLATING NOTE

DRAWING NAME: TAXI SLEV BUSHING ID= OD=

DRAWING NUMBER: 13737697

SIZE	SCALE	FRAME NO	SHEET NO	STG	REV	N/P
A1	10:1	1 OF 1	1 OF 1	R	11	-