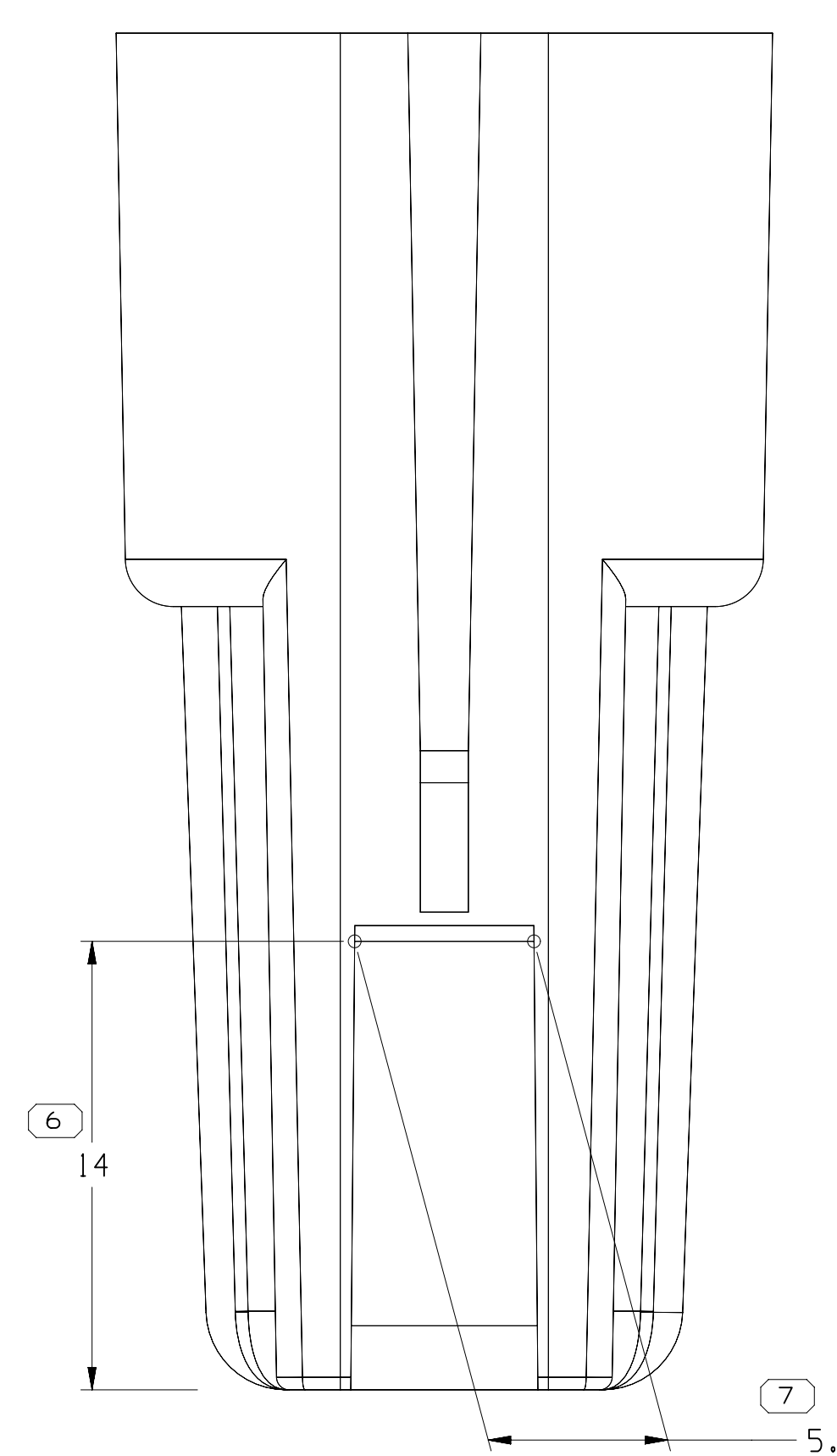
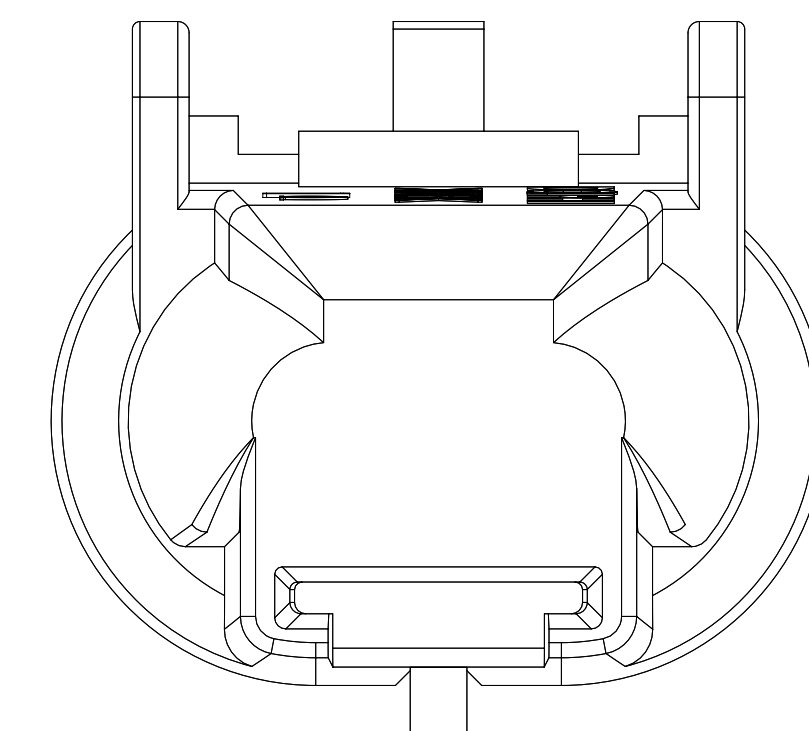
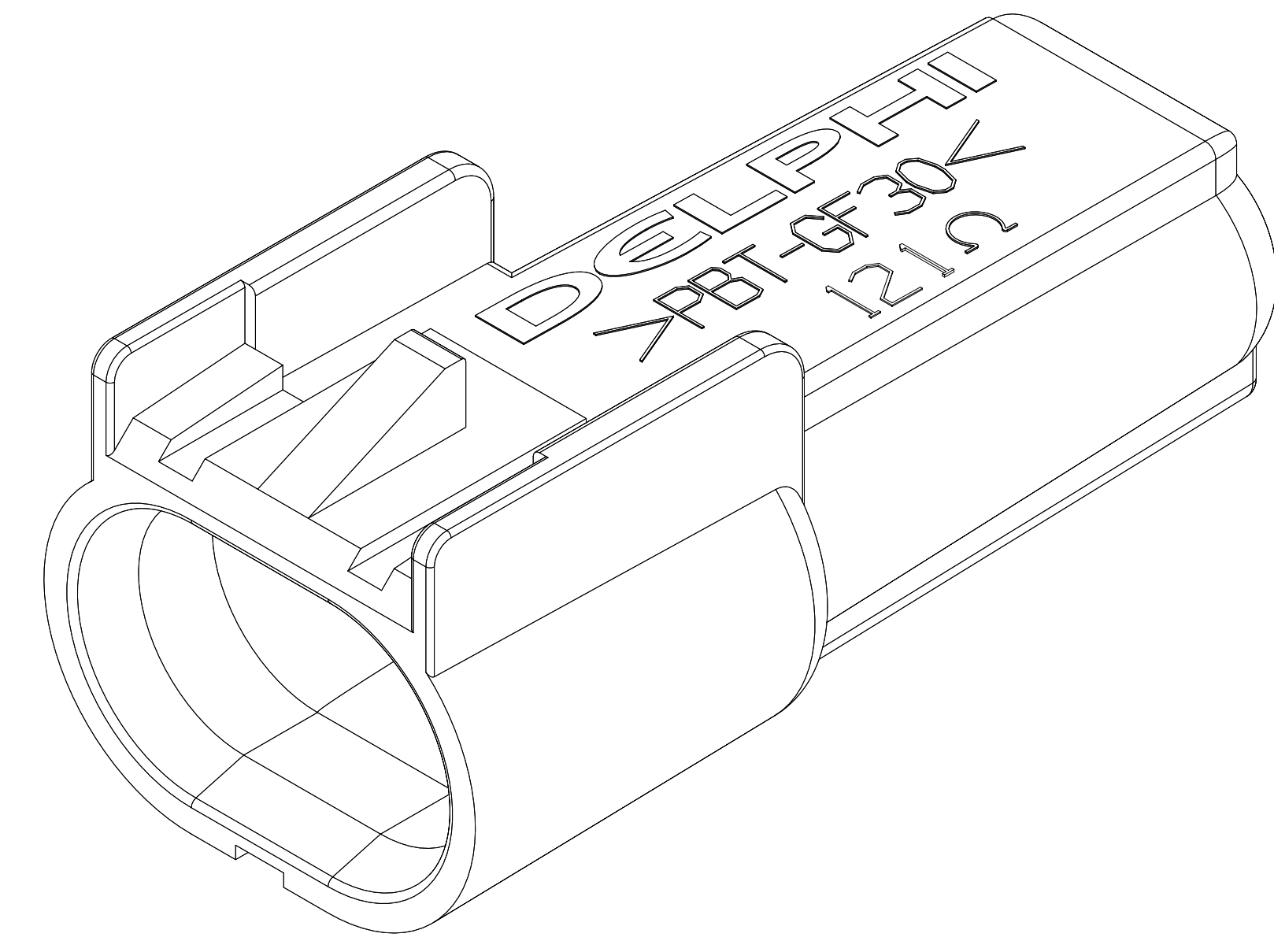
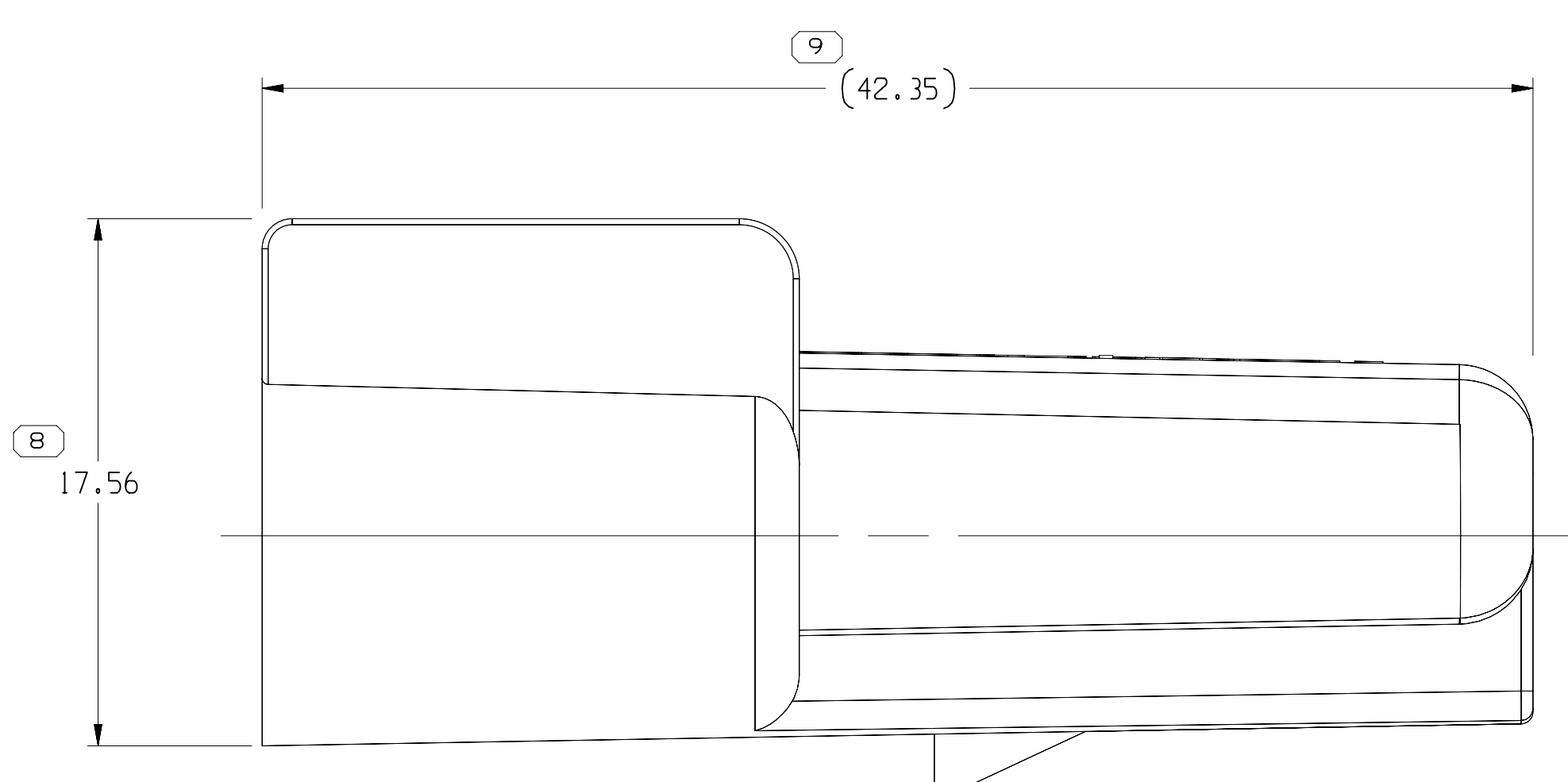
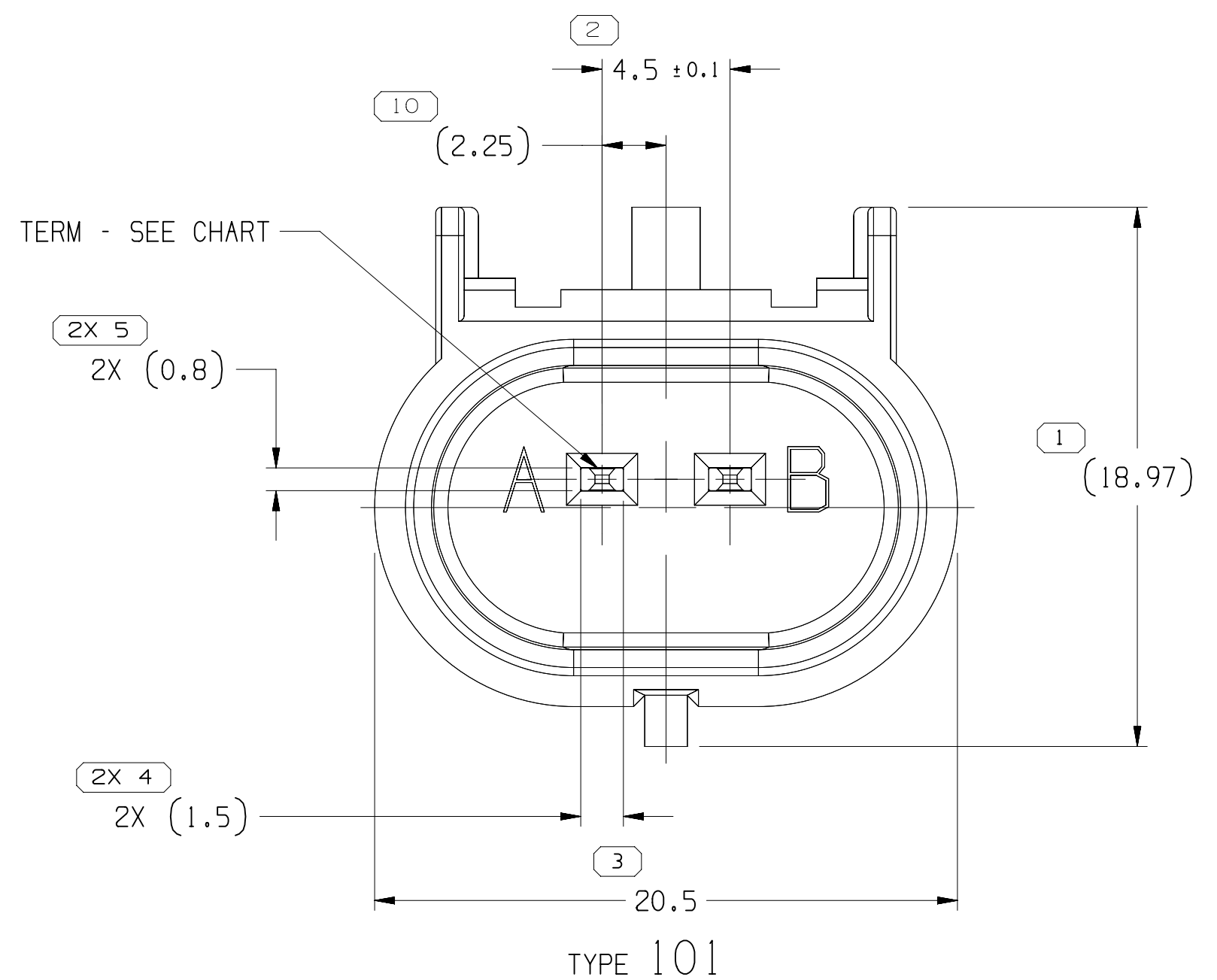


TYPE 102
SAME AS TYPE 101 EXCEPT
AS SHOWN



NOTES

- UNLESS OTHERWISE SPECIFIED AND/OR INDICATED:
DIMENSIONS ARE TO FACE OF VIEW SHOWN AND AUTOMATICALLY ROUNDED BY COMPUTER FOR INSPECTION. (SEE MATH MODEL FOR PRECISE DIMENSIONS.) FOR ALL OTHER DIMENSIONS NOT SHOWN BUT REQUIRED FOR TOOL BUILD, SEE MATH MODEL FOR PRECISE TOOL PATH DATA.
- REFERENCE MATING COMPONENTS OR EQUIVALENT:
CONNECTOR 13510085
TERMINAL 15326426. FEMALE TERMINAL MUST HAVE GOLD PLATED TERMINAL CONTACT AREA.
- MATERIAL RECYCLING CODE PER ISO 11469. (2.31X(0.11) CHARACTERS AS SHOWN TO BE LOCATED ON ANY EXTERIOR SURFACE.
- CORPORATE BRAND TO BE APPLIED TO PRODUCT DESIGN PER THE LATEST REVISION OF ESD S1085201.
- THIS PRODUCT IS NOT CATEGORIZED AS AN APPEARANCE ITEM, MINOR IMPERFECTIONS INCLUDING, BUT NOT LIMITED TO, FLOW MARKS, COLOR BLEMISHES, GATE VESTIGE, AND SOFT FLASH THAT DO NOT AFFECT THE FIT, FORM, OR FUNCTION OF THE PART ARE PERMISSIBLE PER DPNP-4.7-CS-01.

SYMBOL DEFINITION		TOTAL NO OF INSPECTIONS REQUIRED	MISSING SYMBOLS
○	A DIMENSION WITHOUT AN INSPECTION REPORT SYMBOL DOES NOT REQUIRE INSPECTION. IT MAY BE CONTROLLED ON THE INDIVIDUAL COMPONENT DRAWING.	12	NO MISSING SYMBOL NUMBER
		LAST NO. USED	10

DWS STATUS		ZONE		REVISION HISTORY		DATE	STG	REV	N/P	CHG	APVD	DR	APVD
29JL05	R	01	-	-	15459045 - MOVED TO TAXI; ALL PARTS - RELEASED.	270573					AKJ	AKJ	RC
04NO05	R	02	-	-	ALL PARTS - ADDED TYPE 101	273978					MM	MM	RC
12JL06	R	03	-	-	ALL PARTS - UPDATED PDM ATTRIBUTES	282292					MM	MM	RC
28AU06	R	04	-	-	15429045 - ADDED 13549070 RESISTOR & REMOVED 15455931 TERM/RESISTOR ASM 13534887 - RESISTOR WAS 13534629; 13534888 - RESISTOR WAS 13534630; 13534889 - RESISTOR WAS 13534631; 13534890 - RESISTOR WAS 13534632; 13534891 - RESISTOR WAS 13534633; 13534892 - RESISTOR WAS 13534634; 13534893 - RESISTOR WAS 13534635; 13534894 - RESISTOR WAS 13534636; 13534895 - RESISTOR WAS 13534637; ALL PARTS - REMOVED TERM/RESISTOR ASM HEADER FROM THE CHART	283575				EES	EES	GR	
20SE06	R	05	-	-	ALL PARTS - UPDATED PDM ATTRIBUTES	284867					JTZ	FRO	REB
11JN07	R	06	-	-	ALL PARTS - REVISED TERMINAL GRAPHICS TO LATEST REVISION	401644					RH	RH	GR
10SE08	R	07	-	-	ALL PARTS - ADDED SLEEVE 13662530 TO ASM	405877					JS	JS	KDM
17SE10	R	08	-	-	ALL PARTS - SLEEVE P/N 13816192 WAS 13662530	411972					AGW	JVM	JCO
27MY11	R	09	-	-	13853078 & 13853079 - RELEASED	414404					FPE	RCC	FPE
20JL11	R	10	-	-	ALL PARTS - SLEEVE WAS 13816192	414858					HRS	HRS	VMR
29JL11	R	11	-	-	ALL PARTS - SLEEVE WAS 13662530	414977					HRS	HRS	DAF
24OC11	R	12	-	-	13923432 & 13924569 - RELEASED	415734					AJP	JAA	DAB
07NO11	R	13	-	-	13923432 - REVISED	416077					DAB	PTB	DAB
03FE12	R	14	-	-	13924569 - REVISED	416975					EGH	EGH	EGH
22JA13	R	15	-	-	15510071 - RELEASED; 13923432 & 13853078 - UPDATED PART AVAILABILITY	421178					JTV	JTV	EDA
28MR13	R	16	-	-	15510071 - UPDATED PART AVAILABILITY	421939					EDA	EDA	EDA
09SE14	R	17	-	-	33183322, 33183323 - RELEASED	427519					AHG	MEA	MEA
03SE15	R	18	-	-	33284011 - RELEASED 13924569 - WAS TYPE 103	430755					AHY	AHY	JFF
03AP18	R	19	-	-	35199153 - RELEASED	439413					GDH	JAA	LMV
19JN18	R	20	-	-	35199153 - UPDATED PART AVAILABILITY	440190					JGO	JAA	LMV
21MY19	R	21	-	-	35351504 - RELEASED	443326					AHG	AHG	DS
13FE20	R	22	-	-	35351504 - UPDATED PART AVAILABILITY	551003					AHY	AHY	DS

PART NO	REV	N/P	TYPE	TERMINAL	RESISTOR	SLEEVE (2 PLS)	RESISTANCE VALUE (OHMS ± 1%)	RESISTANCE VALUE (OHMS ± 5%)	MATERIAL SPECIFICATION AND COLOR	VOLUME CM ³
35351504	01	AA	102	15455930	13589068	13816192	7320	-	POLYESTER COMPOUND GRAY	6.182
35199153	01	AA	102	15455930	35199148	13816192	499	-	POLYESTER COMPOUND BLACK	6.182
33284011	01	-	102	15455930	33277834	13816192	39	-	POLYESTER COMPOUND GRAY	6.182
33183323	01	AA	102	15455930	33183321	13816192	-	1200	POLYESTER COMPOUND BLACK	5.859
33183322	01	AA	102	15455930	33183320	13816192	-	2700	POLYESTER COMPOUND BLACK	5.859
15510071	01	AB	102	15455930	15510135	13816192	2700	-	POLYESTER COMPOUND BLACK	5.859
13924569	01	AC	102	15455930	13921531	13816192	18	-	POLYESTER COMPOUND BLACK	5.859
13923432	02	AB	102	15455930	13923431	13816192	8	-	POLYESTER COMPOUND BLACK	5.859
13853079	01	AC	102	15455930	13853076	13816192	39	-	POLYESTER COMPOUND GRAY	5.859
13853078	01	AD	102	15455930	13853075	13816192	3,000	-	POLYESTER COMPOUND BLUE	5.859
13534895	04	AE	102	15455930	13589069	13816192	12,700	-	POLYESTER COMPOUND BLACK	5.859
13534894	04	AE	102	15455930	13589068	13816192	7320	-	POLYESTER COMPOUND BLACK	5.859
13534893	04	AE	102	15455930	13589067	13816192	3160	-	POLYESTER COMPOUND BLACK	5.859
13534892	04	AE	102	15455930	13589066	13816192	1820	-	POLYESTER COMPOUND BLACK	5.859
13534891	04	AE	102	15455930	13589065	13816192	1150	-	POLYESTER COMPOUND BLACK	5.859
13534890	04	AE	102	15455930	13589064	13816192	715	-	POLYESTER COMPOUND BLACK	5.859
13534889	04	AE	102	15455930	13589063	13816192	453	-	POLYESTER COMPOUND BLACK	5.859
13534888	04	AE	102	15455930	13589062	13816192	255	-	POLYESTER COMPOUND BLACK	5.859
13534887	04	AE	102	15455930	13589061	13816192	115	-	POLYESTER COMPOUND BLACK	5.862
15429045	04	AE	101	15455930	13589070	13816192	121	-	POLYESTER COMPOUND BLACK	5.846

• APTIV •

CONNECTION SYSTEMS
WARREN, OH

THIS DRAWING IS THE PROPERTY OF APTIV AND CONTAINS APTIV CONFIDENTIAL INFORMATION. THE REPRODUCTION, DISTRIBUTION AND UTILIZATION OF THIS DOCUMENT OR ITS RELATED CAD DATA, AS WELL AS COMMUNICATION OF ANY CONTENT TO OTHERS, WITHOUT EXPRESS AUTHORIZATION, IS PROHIBITED.

APVD1 ANAND JAGANATHAN 29JL05
APVD2 ANAND JAGANATHAN 29JL05
APVD3 RANDY CVELBAR 29JL05
APVD4
APVD5

SUBSTANCES OF CONCERN AND RECYCLED CONTENT PER APTIV 10949001

DRAWING NAME
TAXI ASM CONN 2 M GT 150 SLD RESISTOR

DRAWING NUMBER
13534897

SIZE A0 SCALE 5:1 FRAME NO 1 OF 1 SHEET NO 1 OF 1 STG REV N/P 10 22

DIMENSIONAL RANGE (MM)	CHART	ET
FROM > 0	> 20	> 70
TO 20	30	100
	70	150
	100	200
	150	250
	200	300
	250	300
	300	400

THIRD ANGLE PROJECTION

DO NOT SCALE

USE MATH DATA

APVD1 ANAND JAGANATHAN 29JL05
APVD2 ANAND JAGANATHAN 29JL05
APVD3 RANDY CVELBAR 29JL05
APVD4
APVD5