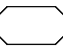
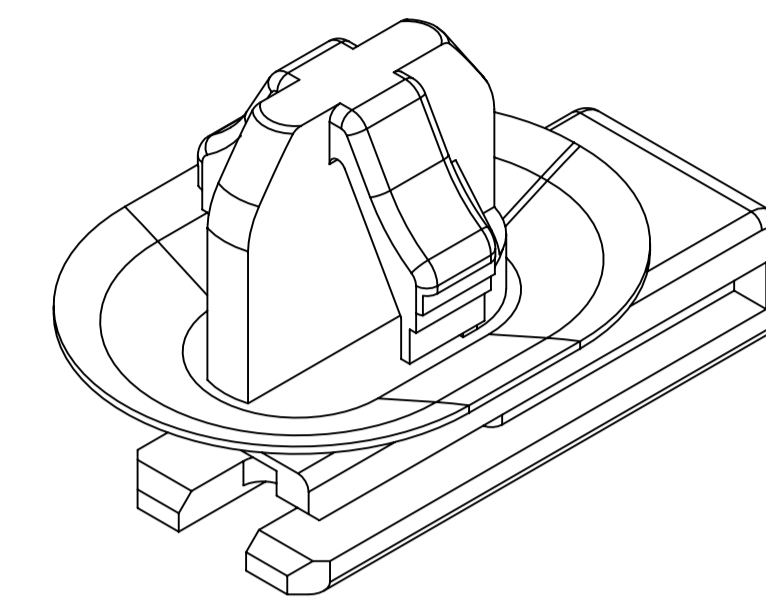
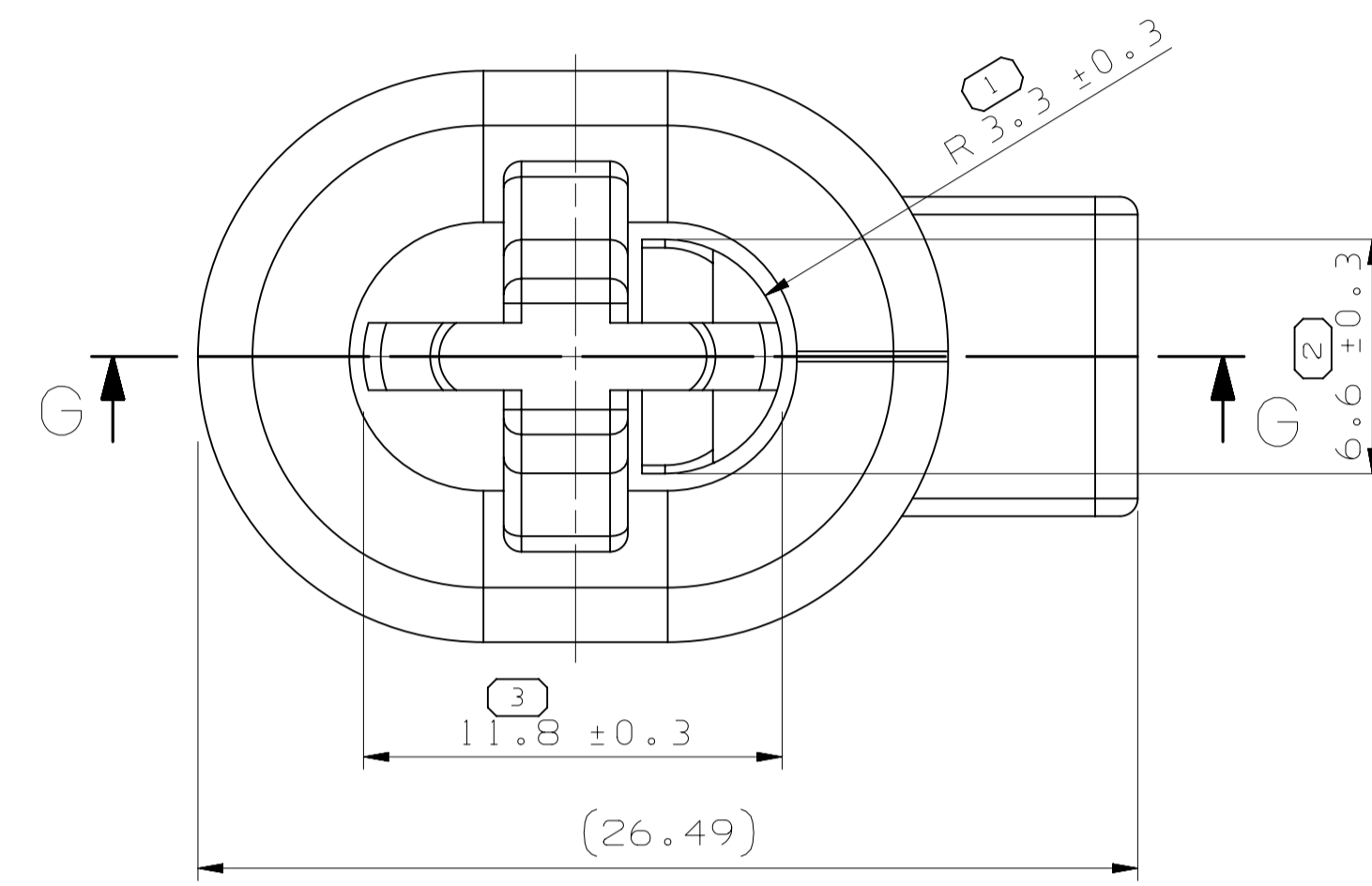
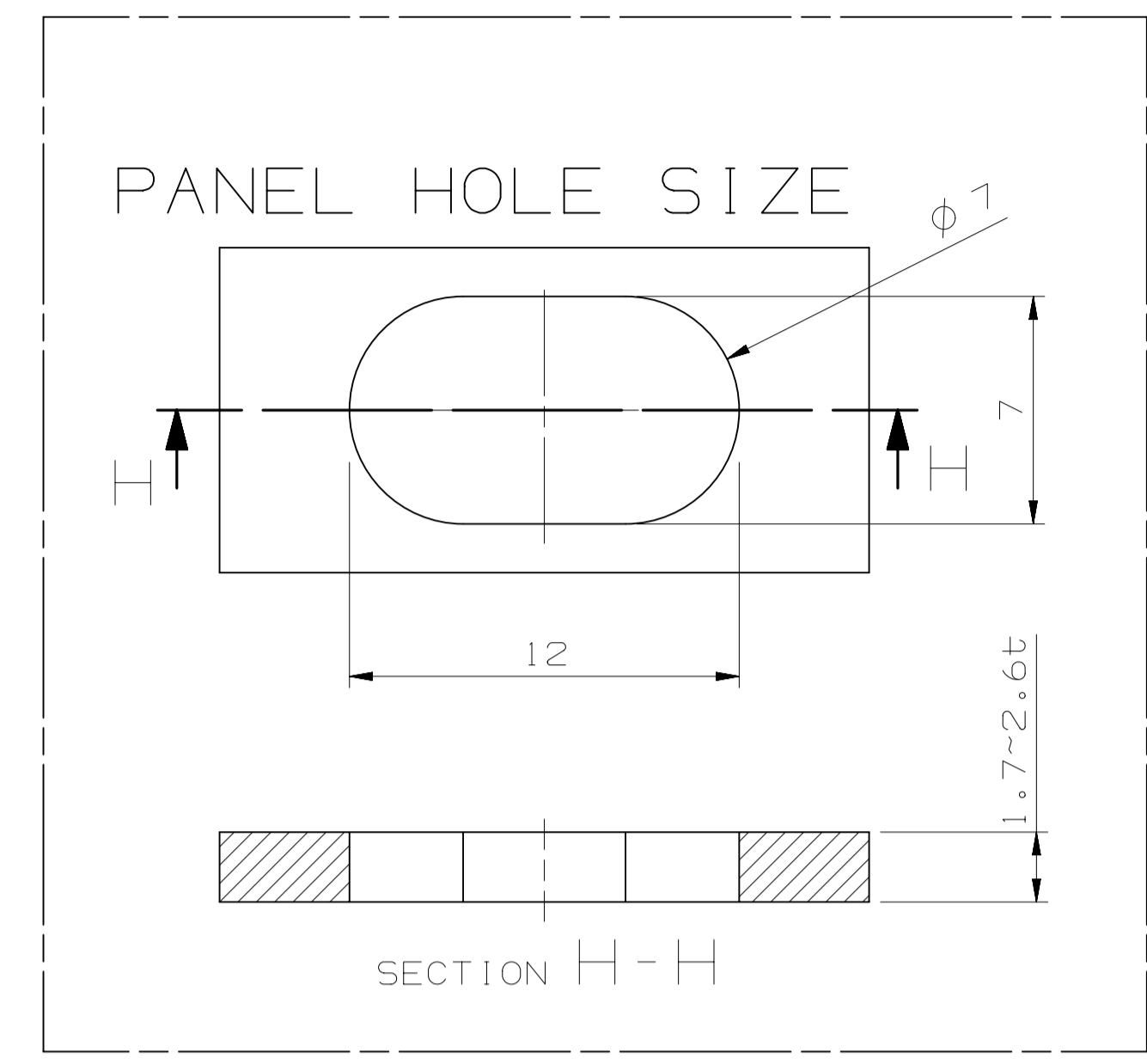


SYMBOL DEFINITION		MISSING SYMBOLS	
A DIMENSION WITHOUT AN INSPECTION REPORT SYMBOL  DOES NOT REQUIRE INSPECTION. IT MAY BE CONTROLLED ON THE INDIVIDUAL COMPONENT DRAWING.	TOTAL NO. OF INSPECTIONS REQUIRED	NO MISSING SYMBOL NUMBER	8
	LAST NO. USED		8

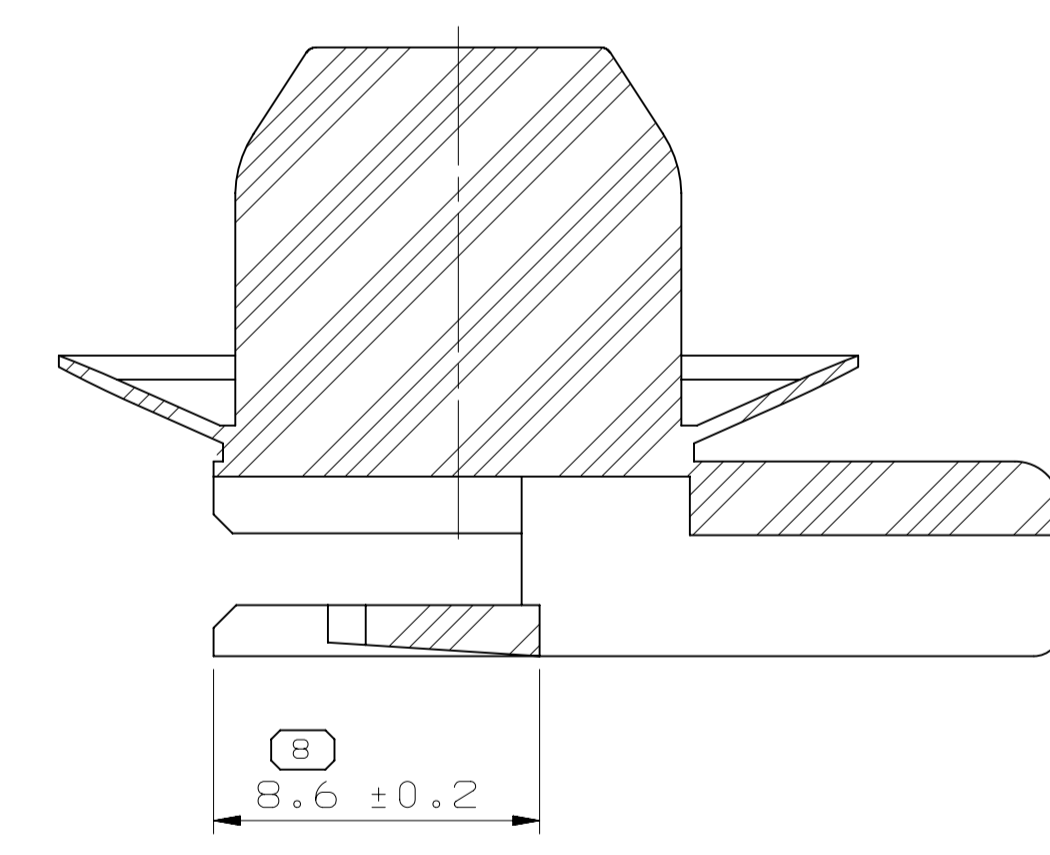
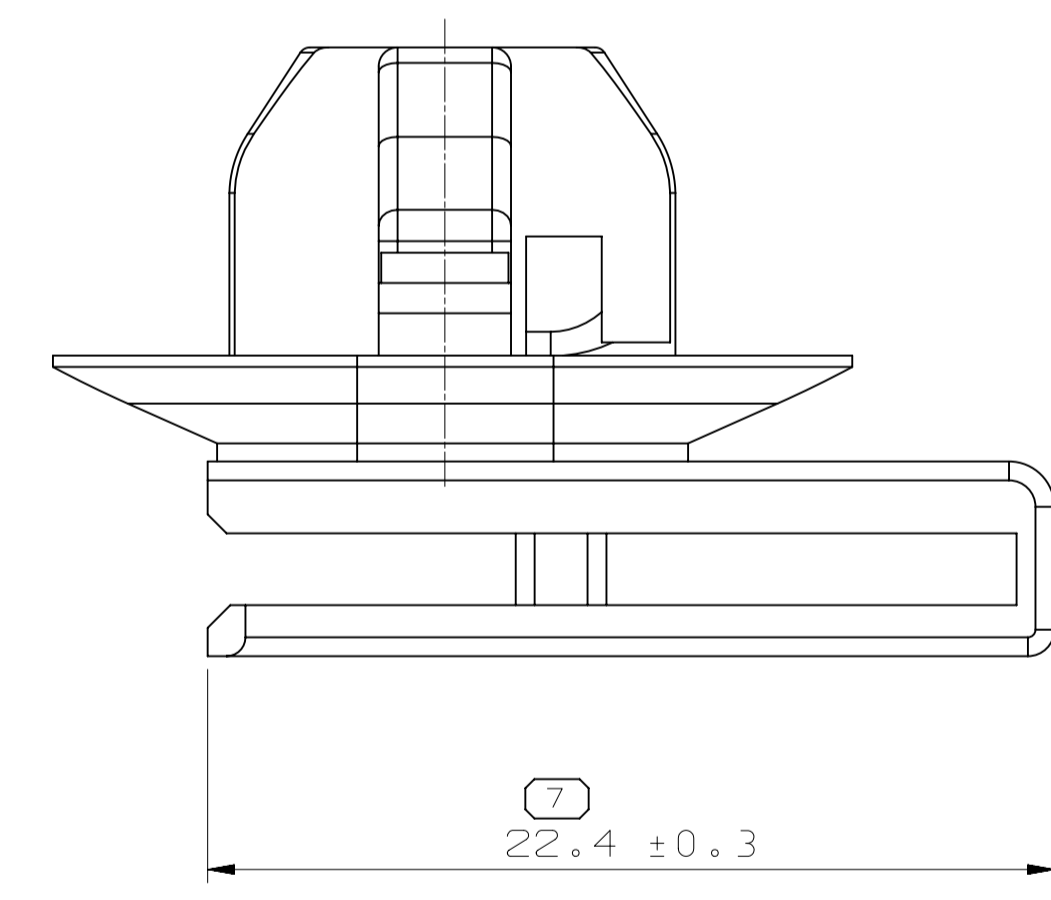
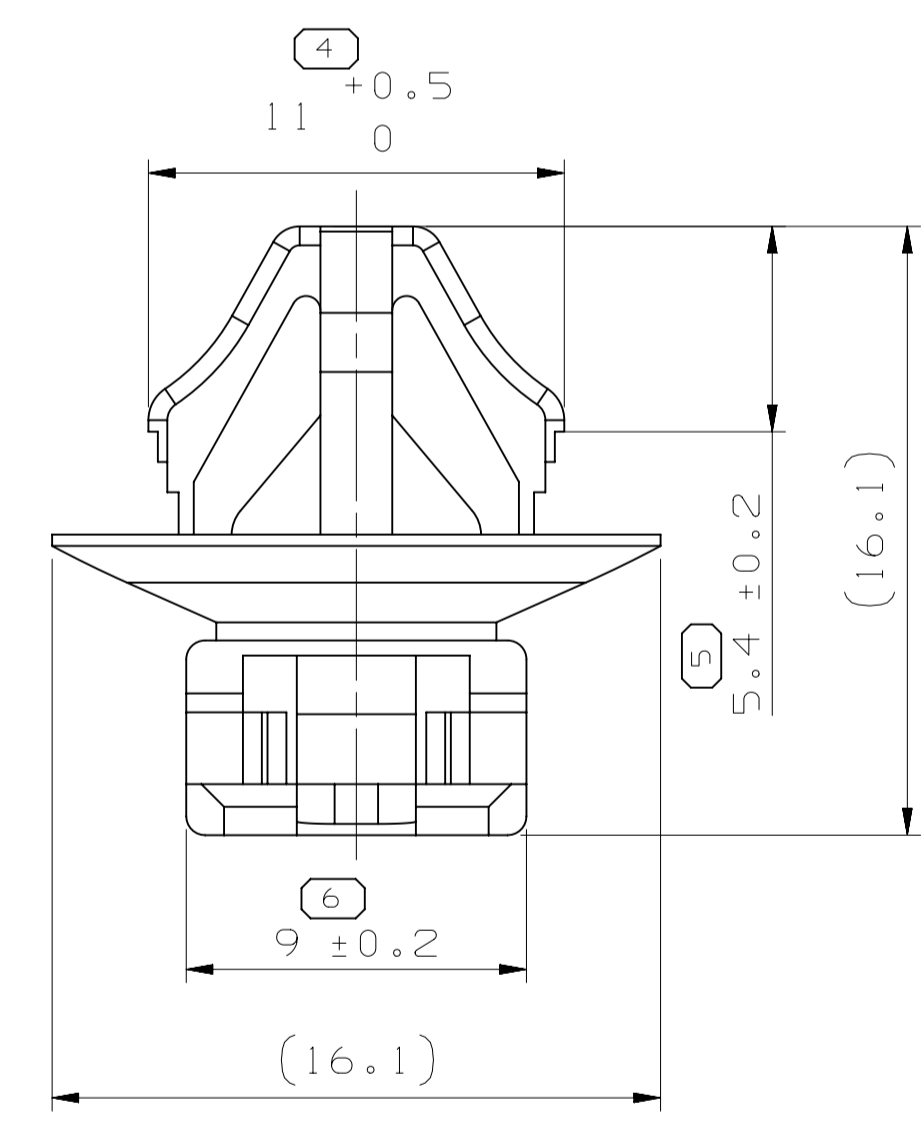
DWG STATUS					ZONE	REVISION HISTORY			AUTH	DR	APVD1	APVD2
DATE	STG	REV	N/P	CHG								
26JN15	R	01	-			INITIAL RELEASE				YJH	PJH	LWY



ISOMETRIC VIEW



SECTION H-H



SECTION G-G

- NOTES:
- 1.TOLERANCE MUST MEET ISO 2768(F)
 - 2.TEST SPECIFICATION PER :ES91500-00
 - 3.MATING PART :33219402 (APEX1.2 2WAY MALE CONNECTOR)
 - 4.MATERIAL :PA6
 - 5.COLOR :BLACK

DIN ISO 2768		Tolerance Class medium (m)					
Permissible deviations for basic size range (mm)		over 0.5 up to 3	over 3 up to 6	over 6 up to 30	over 30 up to 120	over 120 up to 400	over 400 up to 1000
Linear Dimensions except for broken edges	±0.1	±0.1	±0.2	±0.3	±0.5	±0.8	±1.2
Broken edges (radii, chamfers)	±0.2	±0.2	±0.5	±1			
Angular dimensions	up to 10	over 10 up to 50	over 50 up to 120	over 120 up to 400	over 400		
	±1°	±0°30'	±0°20'	±0°10'	±0°5'		

*) For nominal sizes below 0.5mm, the deviations shall be indicated adjacent to the relevant nominal size(s).

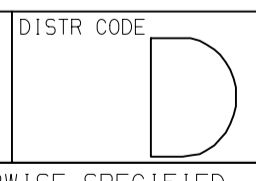
DIMENSIONAL RANGE (MM)		TOLERANCE UNLESS OTHERWISE SPECIFIED	
FROM	TO	±	°
> 0	> 20	±0.15	±0.2°
> 20	> 30	±0.3	±0.4°
> 30	> 70	±0.4	±0.5°
> 70	> 100	±0.5	±0.6°
> 100	> 150	±0.6	±0.8°
> 150	> 200	±1	±1.2°
> 200	> 250		
> 250	> 300		
> 300	> 400		

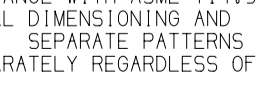
INDICATES THAT PHYSICAL PARTS ARE NOT AVAILABLE FOR ORDERING.


PART NUMBERS THAT DO NOT HAVE A LINE PRESENT INDICATE THAT PHYSICAL PARTS ARE AVAILABLE FOR ORDERING.

CONTACT DELPHI SALES TO ASSURE AVAILABILITY OF PARTS.

DWG TYPE: PART DRAWING

STYLE: 

VOLUME (CM³): 

DISTR CODE: 

UNLESS OTHERWISE SPECIFIED

THIS DOCUMENT IS IN ACCORDANCE WITH ASME Y14.5M-1994 AS AMENDED BY THE GM GLOBAL DIMENSIONING AND TOLERANCING ADDENDUM-2001. SEPARATE PATTERNS OF FEATURES MAY BE GAGED SEPARATELY REGARDLESS OF DATUM REFERENCES.

ALL DIMENSIONS ARE IN MILLIMETERS

THIRD ANGLE PROJECTION

DO NOT SCALE

USE MATH DATA

PROCESS SENSITIVE DIMENSION

DIMENSIONS ENCLOSED IN () INDICATE REFERENCE DIMENSIONS AND NO TOLERANCE LIMITS ARE ESTABLISHED

DELPHI
DELPHI PACKARD ELECTRICAL/ELECTRONIC ARCHITECTURE
Chennai, India
COPYRIGHT 2015 DELPHI CORPORATION AND/OR ITS AFFILIATES. ALL RIGHTS RESERVED.

THIS DRAWING IS THE PROPERTY OF DELPHI CORPORATION AND CONTAINS DELPHI CONFIDENTIAL INFORMATION. THE REPRODUCTION, DISTRIBUTION AND UTILIZATION OF THIS DOCUMENT OR ITS RELATED CAD MATH DATA, AS WELL AS COMMUNICATION OF ANY CONTENT TO OTHERS, WITHOUT EXPRESS AUTHORIZATION, IS PROHIBITED.

DR	DATE
APVD1 YOON, JAE-HUN	26JN15
APVD2 PARK, JOO-HYUN	26JN15
APVD3 LEE, MIN-YOUNG	26JN15
APVD4	
APVD5	

SUBSTANCES OF CONCERN AND RECYCLED CONTENT PER DELPHI 10949001

MATERIAL: SEE NOTES

DRAWING NAME: MOUNT CLIP

DRAWING NUMBER: 33258694

SIZE	SCALE	FRAME NO	SHEET NO	STG	REV	N/P
A1	5:1	1 OF 1	1 OF 1	R	01	-