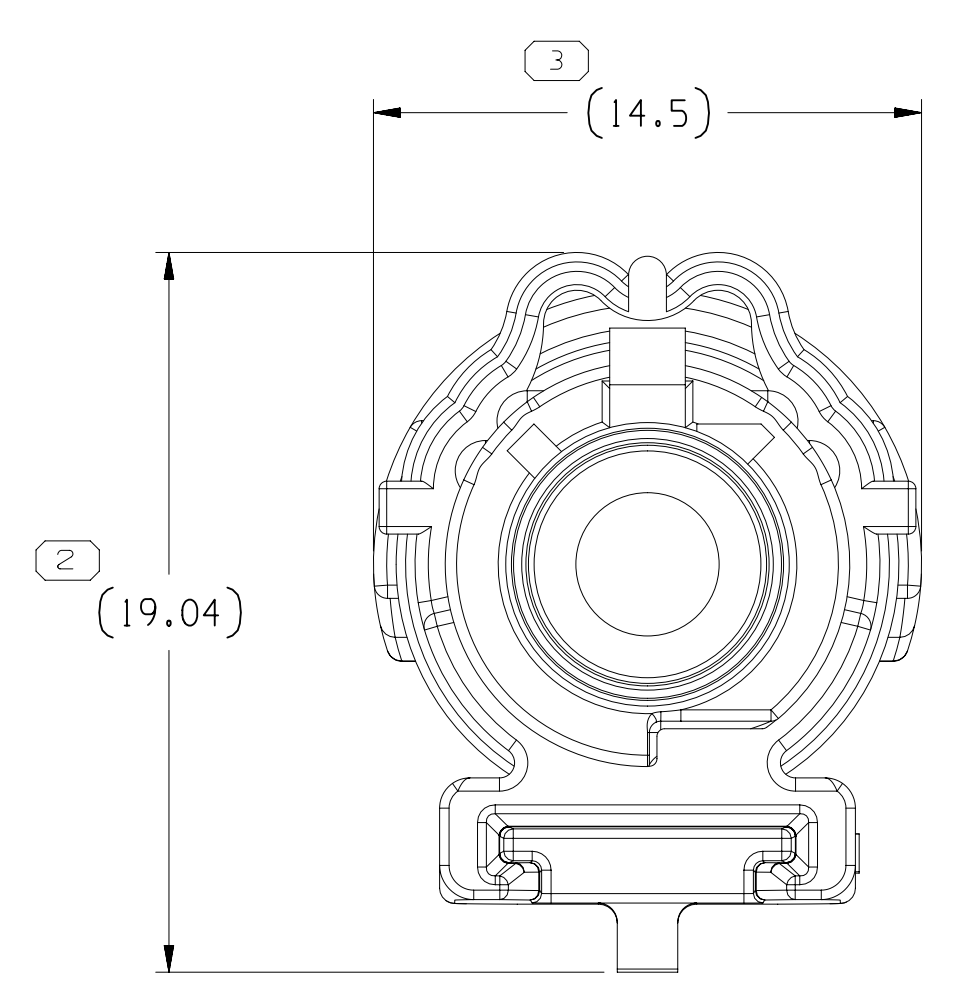
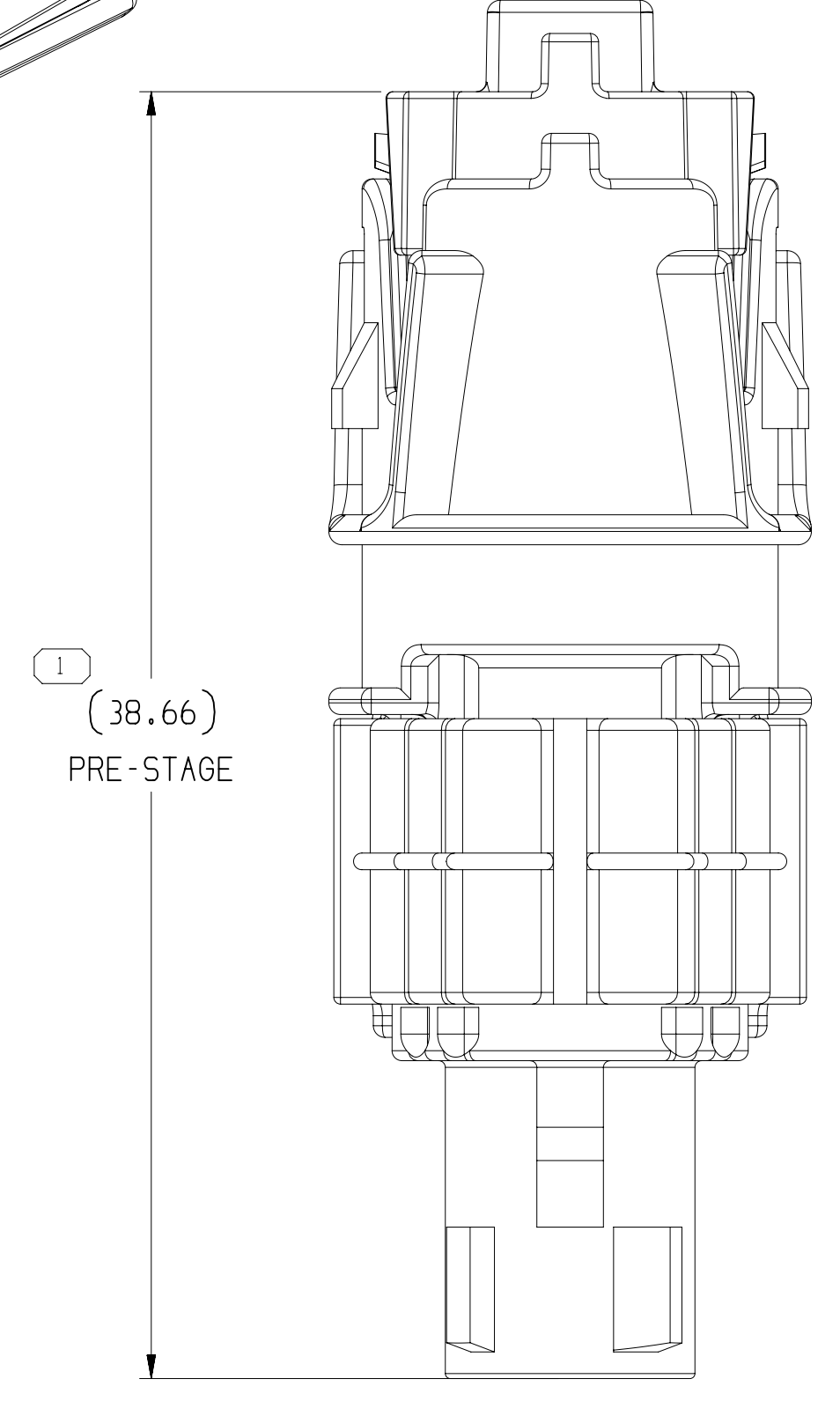
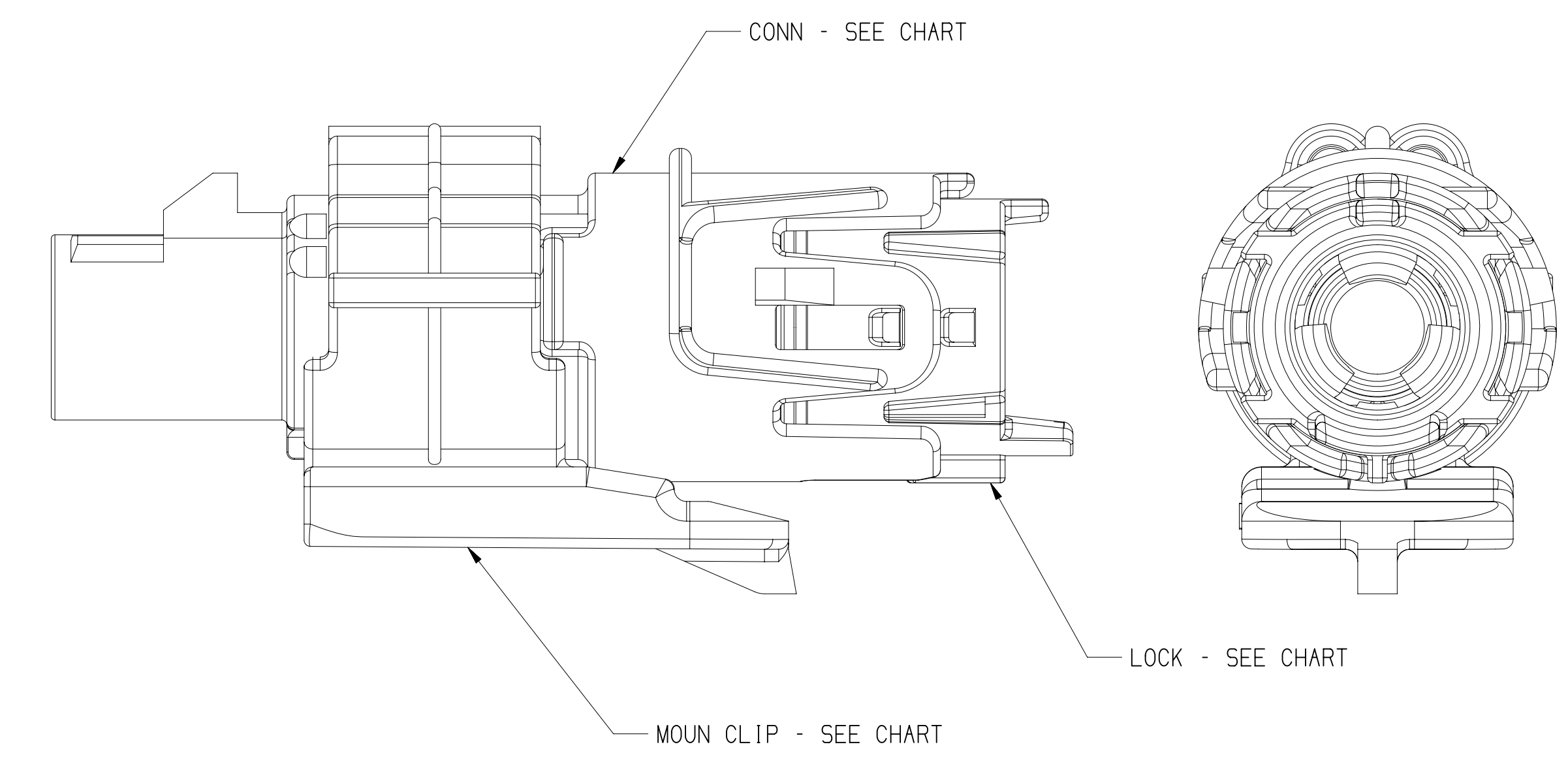
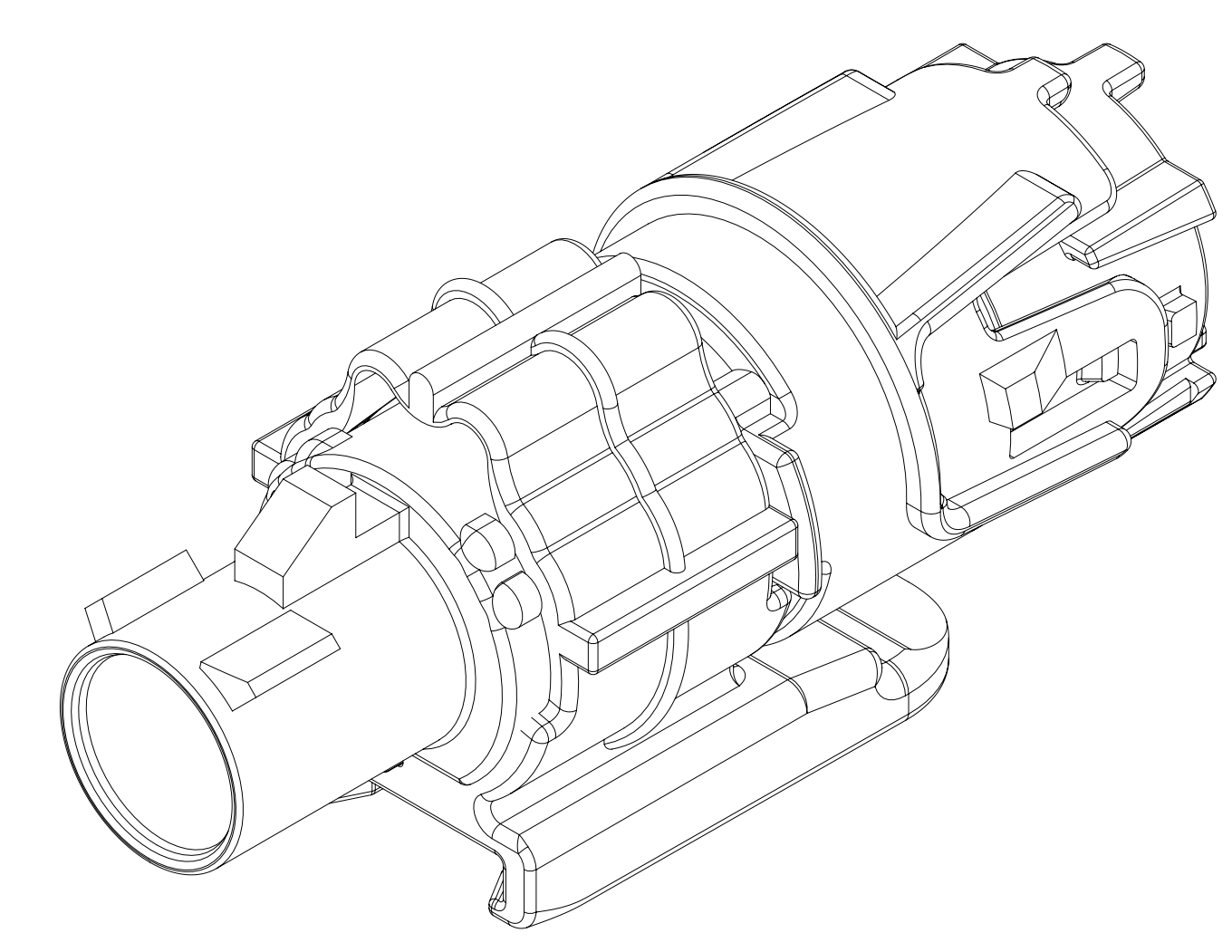
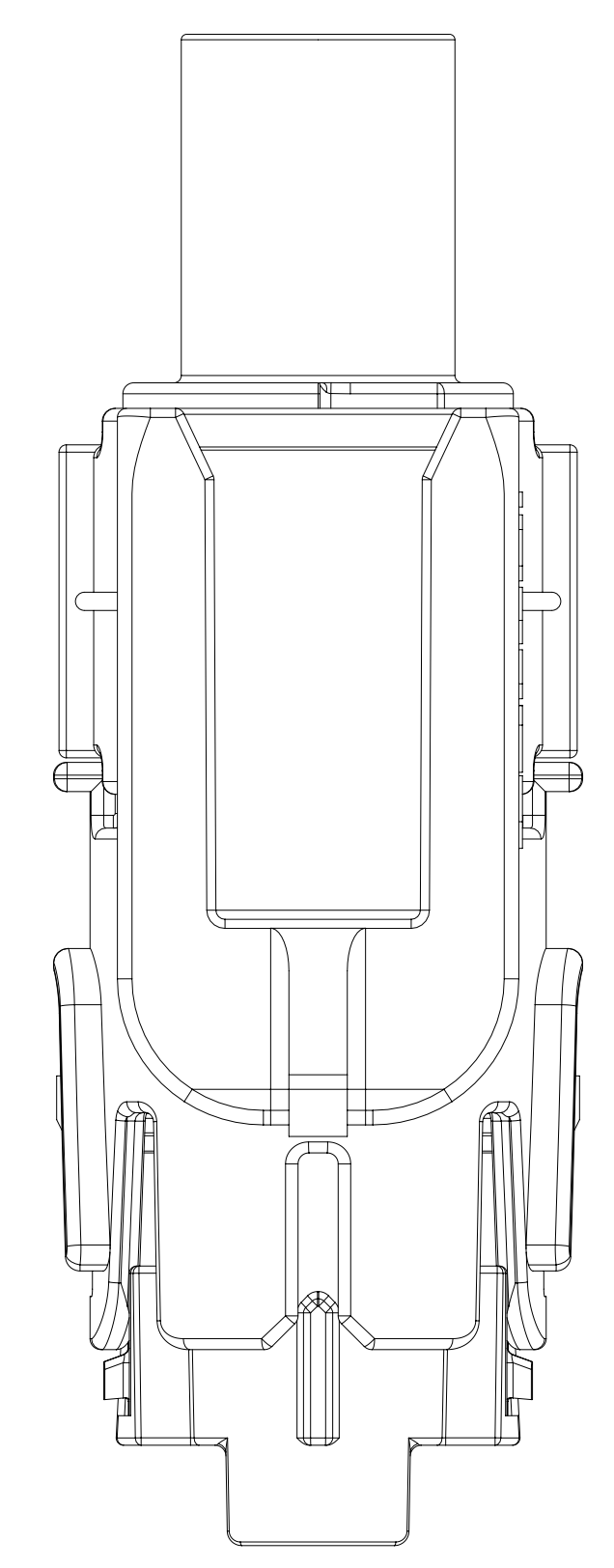


TYPE 102
PLUG CODE Z
FULL STAGE



TYPE 101
CODE A



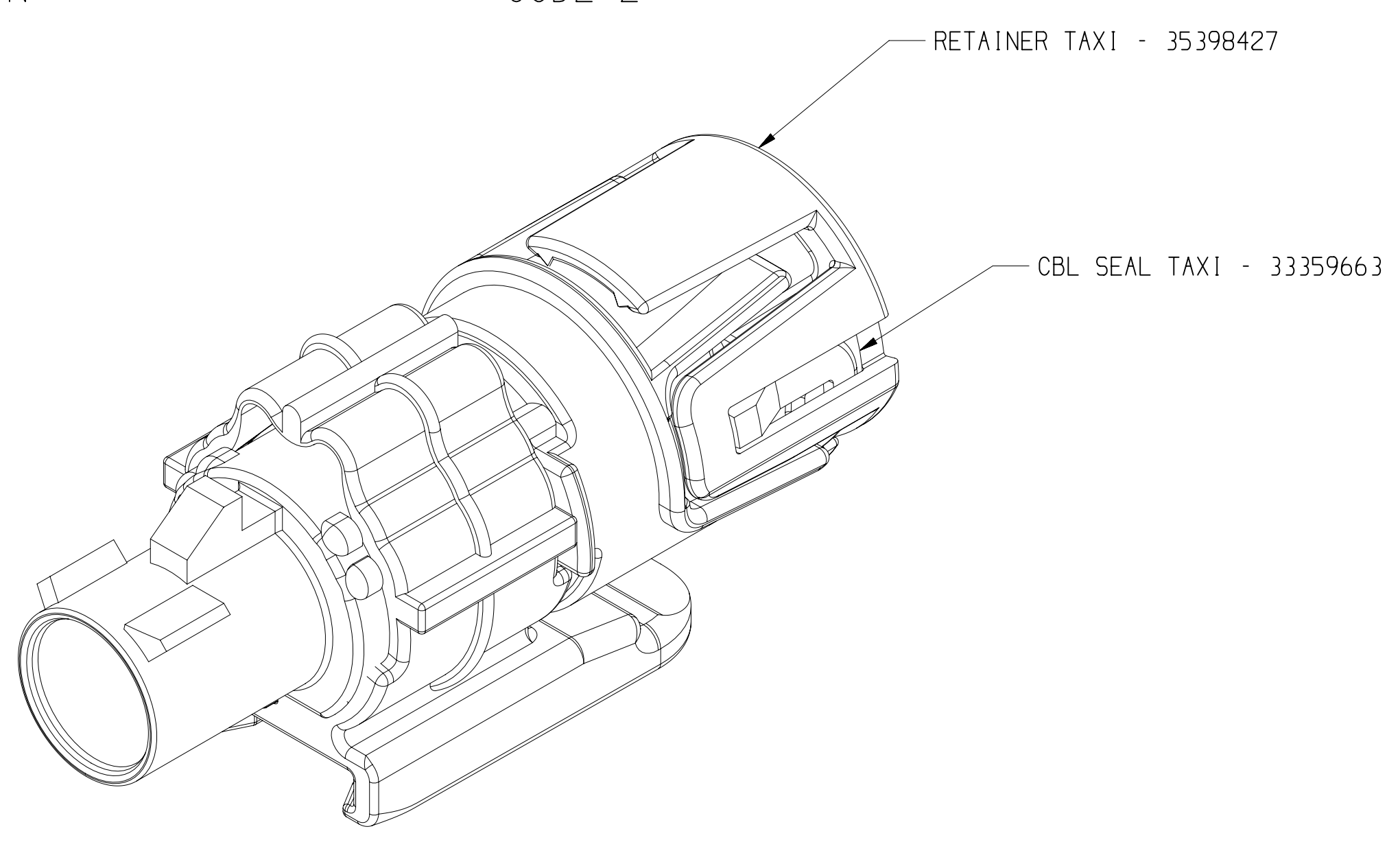
SYMBOL DEFINITION		MISSING SYMBOLS	
A DIMENSION WITHOUT AN INSPECTION REPORT SYMBOL DOES NOT REQUIRE INSPECTION. IT MAY BE CONTROLLED ON THE INDIVIDUAL COMPONENT DRAWING.	TOTAL NO OF INSPECTIONS REQUIRED	NO MISSING SYMBOL NUMBER	
	3		
	LAST NO. USED		
	3		

DWG STATUS				REVISION HISTORY				AUTH		DR		APVD	
DATE	STG	REV	N/P	CHG	ZONE								
22JN16	R	01	-	-		RELEASED		433469	TAI	TAI	TAI	MDF	
20OC16	R	02	-	-		ALL PARTS - UPDATED ASSEMBLY		433891	JLJ	JLJ	DIW		
07OC19	R	03	-	-		35399259 - RELEASED		550172	AGC	AGC	RNL		
23AP20	R	04	-	-		ADDED "SHT 1 OF 2"		551483	LGD	CGD	RNL		
06AP21	R	05	-	-		ALL PARTS - UPDATED PART AVAILABILITY (PN WAS NOT AVAILABLE)		553965	JLL	JAA	JT		
29AP21	R	06	-	-		ALL PARTS - CORRECTED CHART DATA (33338243 WAS ADDED INCORRECTLY ON 553965)		554202	JLL	JAA	RNL		
19DE23	R	07	-	-		ALL PARTS - UPDATED PART TO LATEST CONNECTOR REVISION		562698	JGO	JAA	ACG		
03AP24	R	08	-	-		ALL PARTS - ADDED "DISENGAGE TPA/ISL" NOTE		563708	JGO	JAA	ACG		

NOTES

- UNLESS OTHERWISE SPECIFIED AND/OR INDICATED:
DIMENSIONS ARE TO FACE OF VIEW SHOWN AND AUTOMATICALLY ROUNDED BY COMPUTER FOR INSPECTION (SEE MATH MODEL FOR PRECISE DIMENSIONS). FOR ALL OTHER DIMENSIONS NOT SHOWN BUT REQUIRED FOR TOOL BUILD, SEE MATH MODEL FOR PRECISE TOOL PATH DATA.
- FOR APPLICATION DATA SEE THE INDIVIDUAL APPLICATION DRAWINGS.
- SEALING CODE 4 - DESIGN WILL MEET REQUIREMENTS OF SAE/USCAR-2 CONNECTOR SYSTEM ENVIRONMENTAL TEST FLOWCHART (PRESSURE/VACUUM AND SUBMERSION).
- USCAR 17 SEQ. 1 TPA/ISL DISENGAGE LOCK TO PRE-SET DOESN'T APPLY; SPECIAL TOOL IS REQUIRED TO DISENGAGE TPA/ISL FROM FULL STAGE. REFER TO ASSEMBLY MANUAL 35023110.

PART NO	REV	N/P	TYPE	CODE	CONN	LOCK	MOUN CLIP	RETAINER	PLUG
35399259	02	AA	101	G	33358223	33358005	33358009	-	-
33370704	03	AA	102	Z	33358230	33358005	33358009	33358010	33359662
33338253	03	AA	101	Z	33358230	33358005	33358009	-	-
33338252	03	AA	101	N	33358229	33358005	33358009	-	-
33338251	03	AA	101	M	33358228	33358005	33358009	-	-
33338250	03	AA	101	L	33358227	33358005	33358009	-	-
33338249	03	AA	101	K	33358226	33358005	33358009	-	-
33338248	03	AA	101	I	33358225	33358005	33358009	-	-
33338247	03	AA	101	H	33358224	33358005	33358009	-	-
33338246	03	AA	101	G	33358223	33358005	33358009	-	-
33338245	03	AA	101	F	33358222	33358005	33358009	-	-
33338244	03	AA	101	E	33358221	33358005	33358009	-	-
33338242	03	AA	101	D	33358218	33358005	33358009	-	-
33338241	03	AA	101	C	33358217	33358005	33358009	-	-
33338240	03	AA	101	B	33358216	33358005	33358009	-	-
33338239	03	AA	101	A	33358007	33358005	33358009	-	-
					CONN	LOCK	MOUN CLIP	RETAINER	PLUG



REFERENCE IMAGE OF ASSEMBLY IN FULL STAGE POSITION WITH SEAL RETAINER

DIMENSIONAL RANGE (MM)	TOLERANCE	CHART	ET
FROM 0 TO >20	>0.15	>20	1
>20 TO >30	>0.2	>30	2
>30 TO >40	>0.3	>40	3
>40 TO >70	>0.4	>70	4
>70 TO >100	>0.5	>100	5
>100 TO >150	>0.6	>150	6
>150 TO >200	>0.8	>200	7
>200 TO >250	>1.0	>250	8
>250 TO >300	>1.2	>300	9
>300 TO >400	>1.5	>400	10

PART DRAWING	
STYLE	D
VOLUME (CM ³)	
DISTR CODE	
UNLESS OTHERWISE SPECIFIED	
THIS DRAWING IS IN ACCORDANCE WITH ASME Y14.5M-1994 AS MODIFIED BY THE 2018 GLOBAL DIMENSIONING AND TOLERANCING ADDENDUM-2009. SEPARATE PATTERNING OF FEATURES MAY BE AWARDED SEPARATELY REGARDLESS OF DATUM REFERENCES.	
ALL DIMENSIONS ARE IN MILLIMETERS	
THIRD ANGLE PROJECTION	DO NOT SCALE USE MATH DATA

APTIV
CONNECTION SYSTEMS
WARREN, OH
COPYRIGHT 2016 APTIV. ALL RIGHTS RESERVED.

THIS DRAWING IS THE PROPERTY OF APTIV AND CONTAINS APTIV CONFIDENTIAL INFORMATION. THE REPRODUCTION, DISTRIBUTION AND UTILIZATION OF THIS DOCUMENT OR ITS RELATED CAD DATA, AS WELL AS COMMUNICATION OF ANY CONTENT TO OTHERS, WITHOUT EXPRESS AUTHORIZATION, IS PROHIBITED.

DR	DATE
APVD1 T. ILLER	22JN16
APVD2 T. ILLER	22JN16
APVD3 M. DELATORRE	22JN16
APVD4	

SUBSTANCES OF CONCERN AND RECYCLED CONTENT PER APTIV 10949001

MATERIAL SEC CHART

DRAWING NAME: TAXI ASM CONN I M FAKRA
DRAWING NUMBER: 33338238

SIZE: A0
SCALE: 5:1
FRAME NO: 1
SHEET NO: 1 OF 2
STG: R
REV: 08