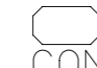
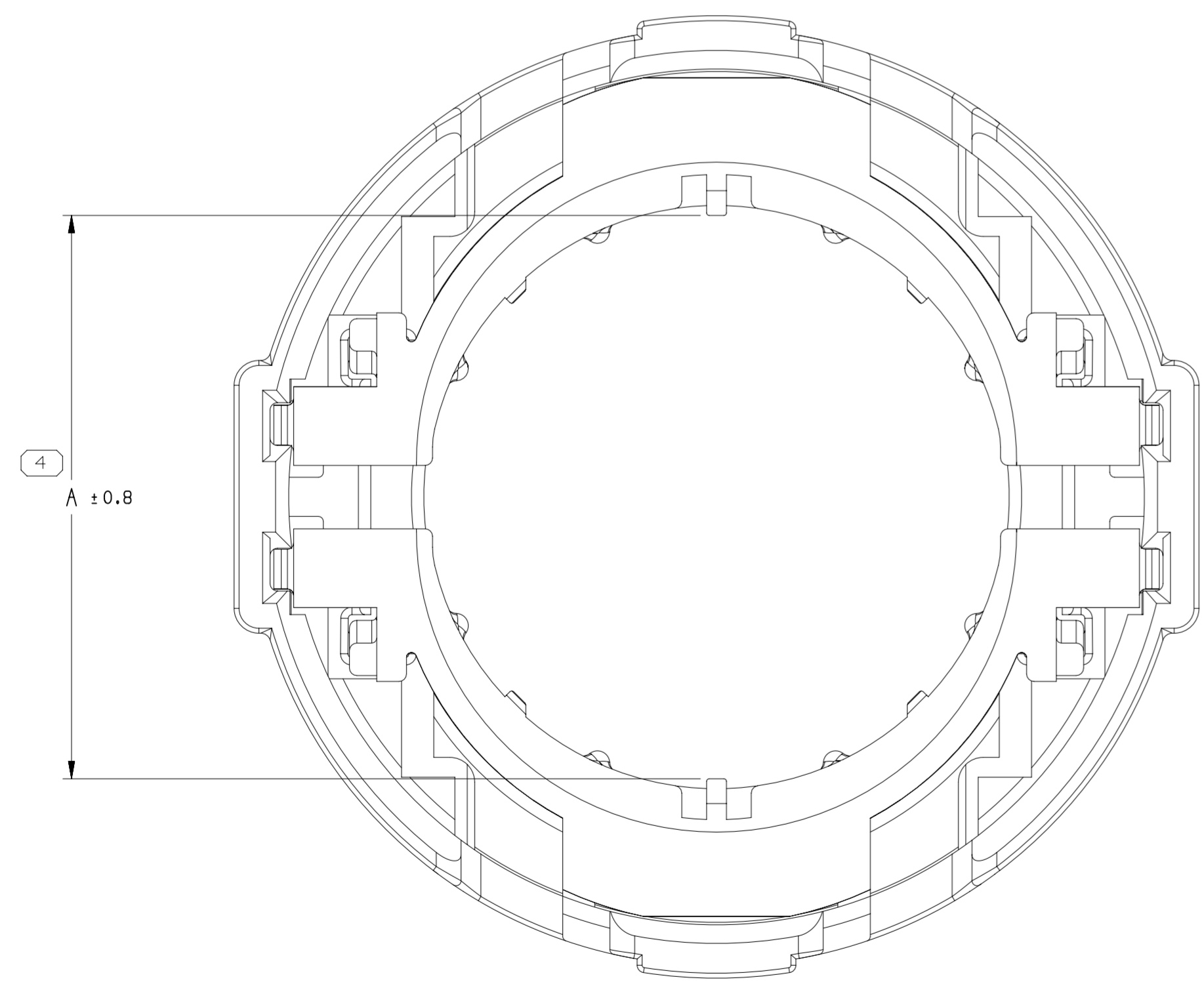
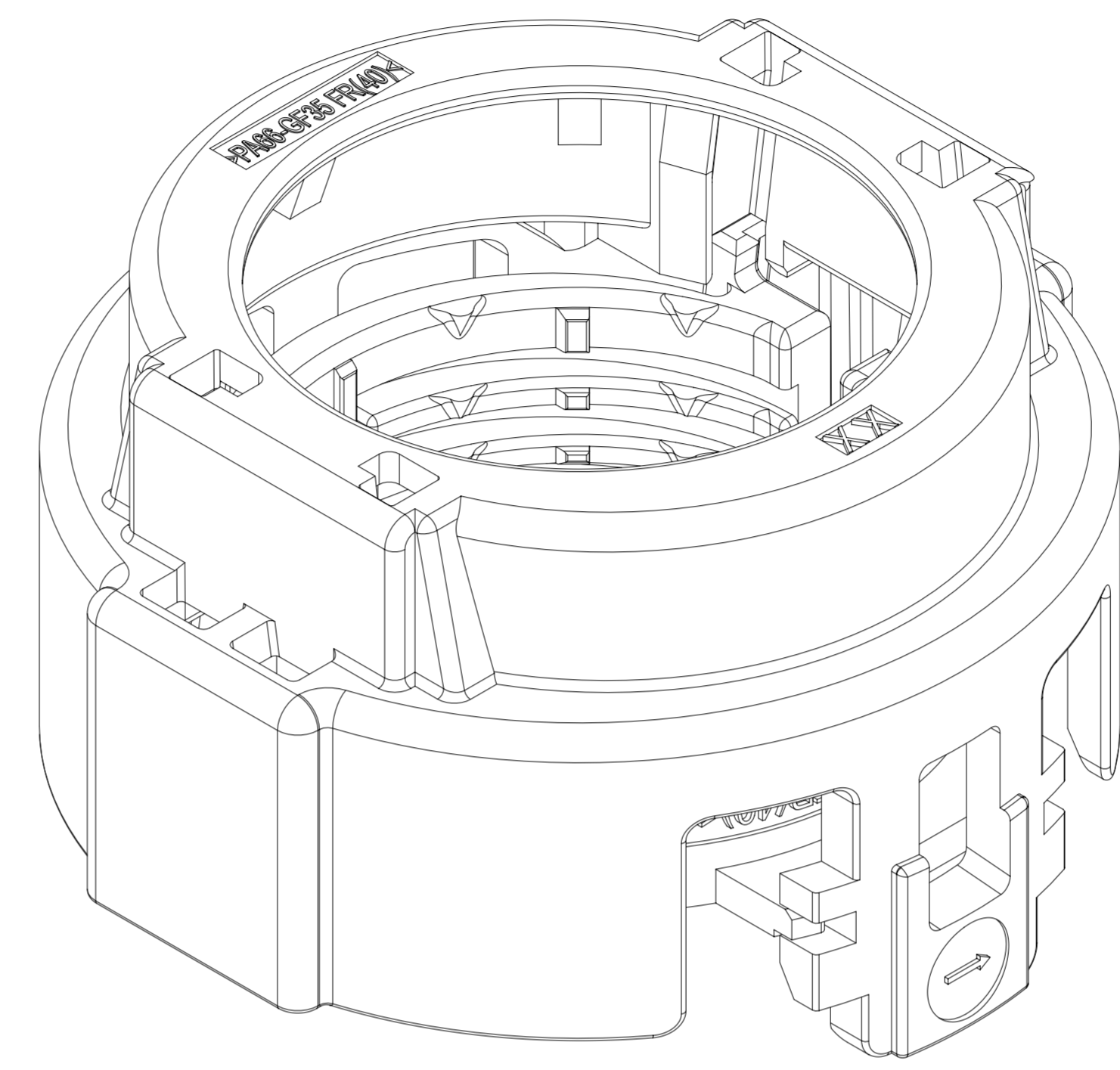
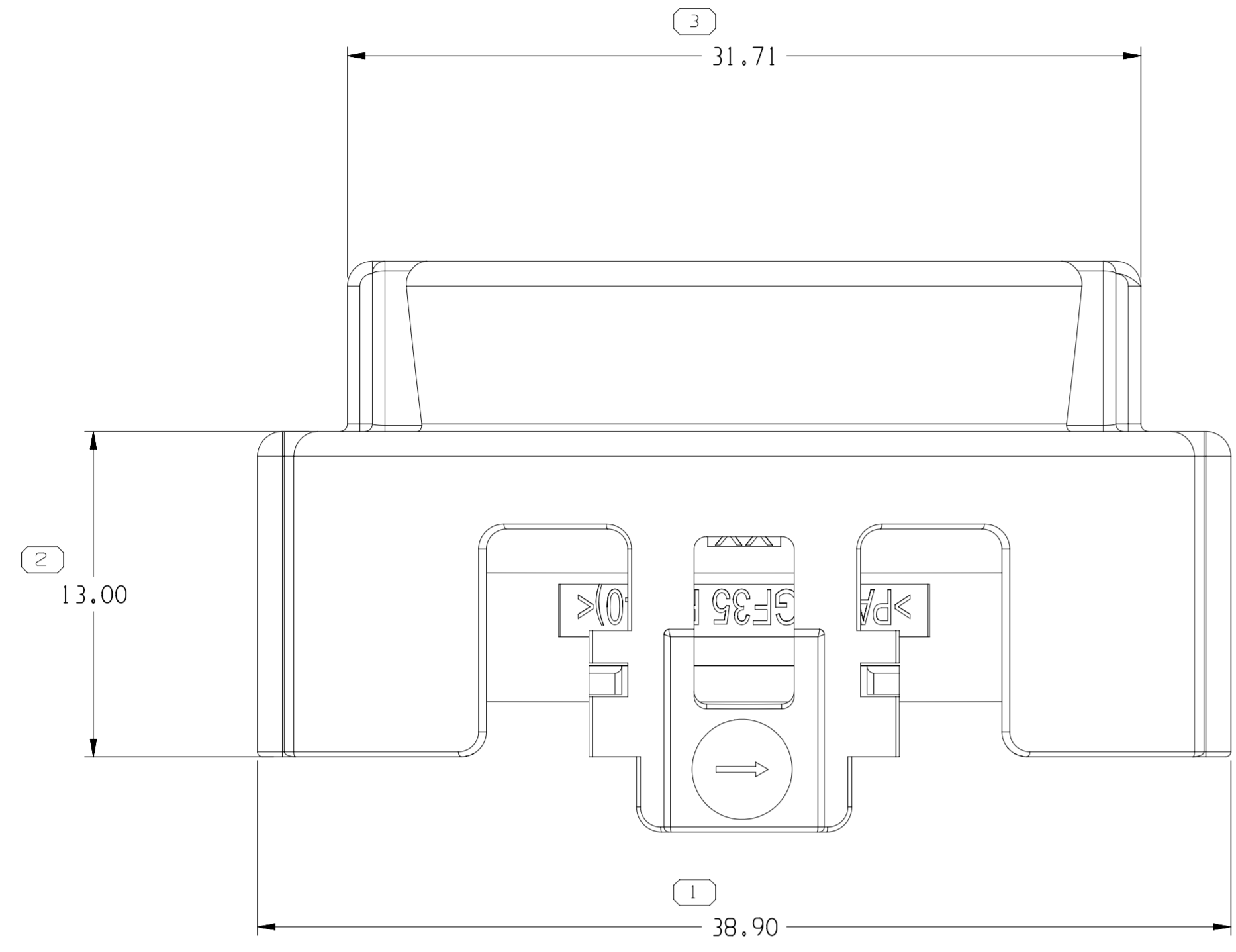


SYMBOL DEFINITION		
A DIMENSION WITHOUT AN INSPECTION REPORT SYMBOL  DOES NOT REQUIRE INSPECTION. IT MAY BE CONTROLLED ON THE INDIVIDUAL COMPONENT DRAWING.	TOTAL NO OF INSPECTIONS REQUIRED	4
	LAST NO. USED	4

MISSING SYMBOLS					DWG STATUS			REVISION HISTORY			AUTH			
NO MISSING SYMBOL NUMBER					DATE	STG	REV	N/P	CHG	ZONE	DATE	DR	APVD1	APVD2
					25DE20	R	01	-	-		448624	CZ	MA	CZ
					35525383 - WAS PE465493, REVISED AND RELEASED PART DRAWING									
					35525384 - WAS PE470176, REVISED AND RELEASED PART DRAWING									



NOTES

- UNLESS OTHERWISE SPECIFIED AND/OR INDICATED:
DIMENSIONS ARE TO FACE OF VIEW SHOWN AND AUTOMATICALLY ROUNDED BY COMPUTER FOR INSPECTION (SEE MATH MODEL FOR PRECISE DIMENSIONS). FOR ALL OTHER DIMENSIONS NOT SHOWN BUT REQUIRED FOR TOOL BUILD, SEE MATH MODEL FOR PRECISE TOOL PATH DATA.
- THIS PRODUCT IS NOT CATEGORIZED AS AN APPEARANCE ITEM, MINOR IMPERFECTIONS INCLUDING, BUT NOT LIMITED TO, FLOW MARKS, COLOR BLEMISHES, GATE VESTIGE, AND SOFT FLASH THAT DO NOT AFFECT THE FIT, FORM, OR FUNCTION OF THE PART ARE PERMISSIBLE PER EANP_4-3_CS_01-EN.
- THE ACCEPT CABLE SHOULD BE FOLLOW SPEC. LV216
- PARTS SHOWN ON THIS DRAWING USED IN LAYOUTS SHOWN ON TAXI DRAWING 35525396.
- RAW MATERIAL OF ALL PLASTIC COMPONENTS MEET UL-V0.

LINE DRAWN THROUGH A PART NUMBER INDICATES THAT PHYSICAL PARTS ARE NOT AVAILABLE FOR ORDERING.

PART NUMBERS THAT DO NOT HAVE A LINE PRESENT INDICATE THAT PHYSICAL PARTS ARE AVAILABLE FOR ORDERING.

CONTACT APTIV SALES TO ASSURE AVAILABILITY OF PARTS.

DWG TYPE: PART DRAWING

STYLE: SEE CHART

VOLUME (CM³): SEE CHART

DISTR CODE: D

UNLESS OTHERWISE SPECIFIED THIS DOCUMENT IS IN ACCORDANCE WITH ASME Y14.5M-1994 AS AMENDED BY THE QM GLOBAL DIMENSIONING AND TOLERANCING ADDENDUM-2001. SEPARATE PATTERNS OF FEATURES MAY BE GAGED SEPARATELY REGARDLESS OF DATUM REFERENCES.

ALL DIMENSIONS ARE IN MILLIMETERS

REFERENCE:

THIRD ANGLE PROJECTION

DO NOT SCALE

USE MATH DATA

NX

• APTIV •

CONNECTION SYSTEMS

Anting, China

COPYRIGHT 2020 APTIV. ALL RIGHTS RESERVED.

THIS DRAWING IS THE PROPERTY OF APTIV AND CONTAINS APTIV CONFIDENTIAL INFORMATION. THE REPRODUCTION, DISTRIBUTION AND UTILIZATION OF THIS DOCUMENT OR ITS RELATED CAD MATH DATA, AS WELL AS COMMUNICATION OF ANY CONTENT TO OTHERS, WITHOUT EXPRESS AUTHORIZATION, IS PROHIBITED.

DR	DATE
APVD1: CHERRY ZHAO	25DE20
APVD2: ARTHUR MA	25DE20
APVD3: CHERRY ZHAO	25DE20
APVD4:	
APVD5:	

SUBSTANCES OF CONCERN AND RECYCLED CONT10949001 10949001

MATERIAL: SEE CHART

DRAWING NAME: TAXI COV STRAIN RLF

DRAWING NUMBER: 35525382

SIZE	SCALE	FRAME NO	SHEET NO	STG	REV	N/P
A1		1 OF 1	1 OF 1	R	01	-

PART NO.	REV	N/P	TITLE	DIM A (mm)	QTY	UOM	REF.	WEIGHT (G)
35525388	-	-	RLF COVER	-	2	PCS	-	-
35525385	-	-	COVER	-	1	PCS	-	-
35525384	01	-	ASM LOCK RETAINER FOR 95mm ² CABLE	20.75	-	-	8.328	
35525387	-	-	RLF COVER	-	2	PCS	-	-
35525385	-	-	COVER	-	1	PCS	-	-
35525383	01	-	ASM LOCK RETAINER FOR 120mm ² CABLE	22.71	-	-	7.902	

DIMENSIONAL RANGE (MM)		CHART M	
FROM	TO	>	>
0	6	30	120
6	30	30	120
30	70	70	160
70	120	120	160
120	160	160	200
160	200	200	250
200	250	250	315
250	315	315	400

TOLERANCE UNLESS OTHERWISE SPECIFIED

±0.1	±0.2	±0.3	±0.4	±0.45	±0.55	±0.7	±0.85	±1.05

ANGULAR TOLERANCE ±1°