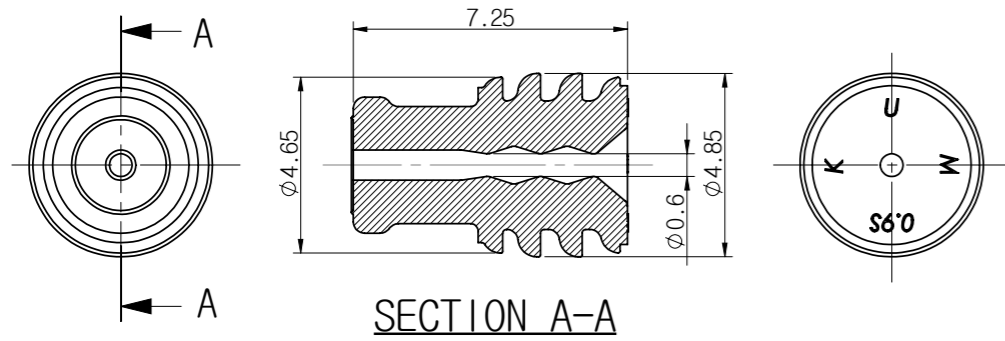
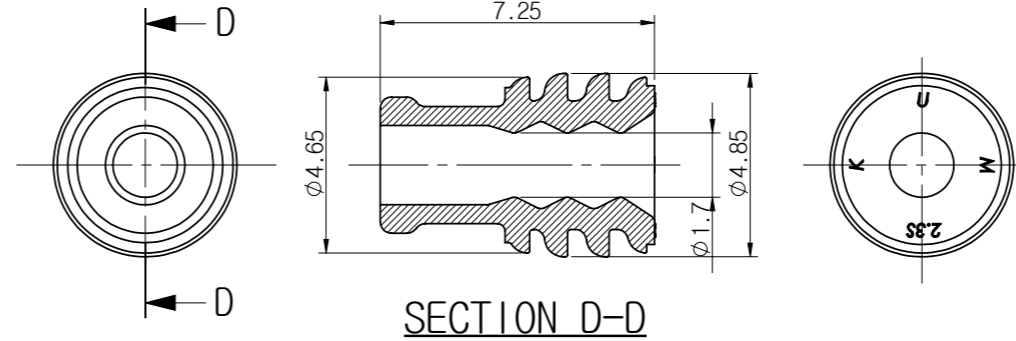


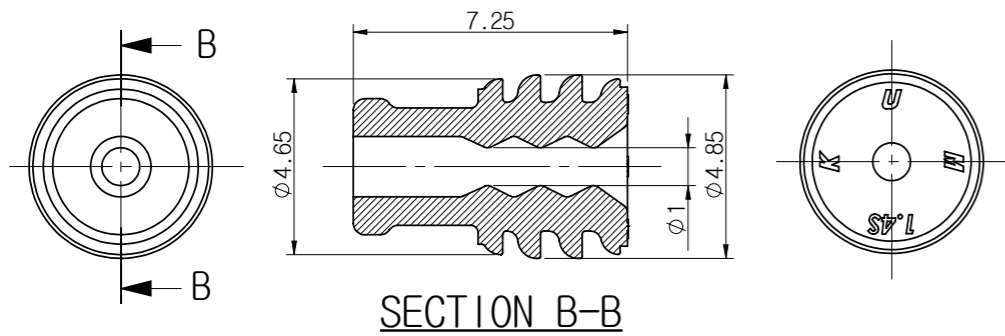
① W/S AWP-0.9S(MB)



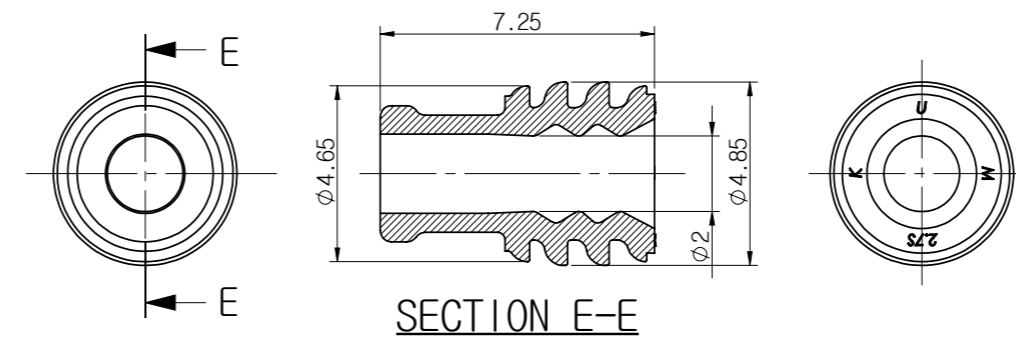
④ W/S AWP-2.3S(GY)



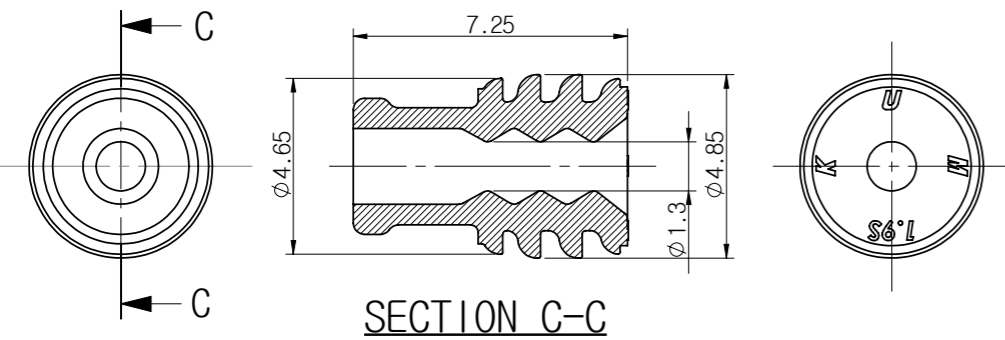
② W/S AWP-1.4S(BR)



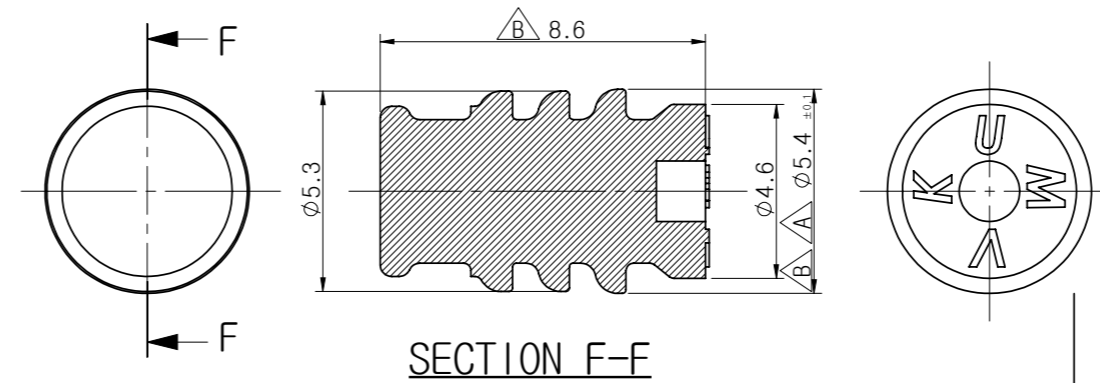
⑤ W/S AWP-2.7S(OR)



③ W/S AWP-1.9S(GN)



⑥ W/S AWP-V(R)



- NOTES -

- BEFORE USING, CHECK THE HARMFUL CRACK, BURR, ETC.
- GENERAL TOLERANCES-SEE BELOW.
- MARKING & CAV. No. BY AS GENERAL RULE OF KUM.
- APPLICATION CONNECTOR : AWP(060 SEALED) SERIES CONN.

△ 5. APPLICATION WIRE

적용 전선 표준사양명	KUM PART NAME	KUM P/No.	APTIV P/No.
φ0.9	W/S AWP-0.9S(MB)	EB010-01140	35235729
φ1.4	W/S AWP-1.4S(BR)	EB010-01050	15533092
φ1.9	W/S AWP-1.9S(GN)	EB010-01030	15533091
φ2.3	W/S AWP-2.3S(GY)	EB010-01120	35283152
φ2.7	W/S AWP-2.7S(OR)	EB010-01100	35283153
-	W/S AWP-V(R)	EB010-01060	33370412

△ 6. APTIV Drawing No : 35393744

GENERAL TOLERANCE						
	10MAX	50MAX	100MAX	150MAX	200MAX	200VR
A	±0.2	±0.3	±0.5	±0.8	±1.0	±1.4
						ANGLE ±30'

NO.	KUM PART NAME	KUM P/No.	APTIV P/No.	COLOR	MATERIAL	DATE	NOTE No.	SYMBOL	DESCRIPTION	APPROVED
⑥	W/S AWP-V(R)	EB010-01060	33370412	RED	SI-RUBBER	13.12.02	E012-0185	△1	ADDED APTIV P/No	PYI
⑤	W/S AWP-2.7S(OR)	EB010-01100	35283153	ORANGE	SI-RUBBER	12.04.30	E012-0077	△A	치수변경(2개소)	PYI
④	W/S AWP-2.3S(GY)	EB010-01120	35283152	GRAY	SI-RUBBER	10.01.27	-	△	공차추가(1개소)	YSR
③	W/S AWP-1.9S(GN)	EB010-01030	15533091	GREEN	SI-RUBBER	승인	DATE	△	신 규	KOT
②	W/S AWP-1.4S(BR)	EB010-01050	15533092	BROWN	SI-RUBBER	DRAWING NAME W/S AWP-1.4S(BR)				
①	W/S AWP-0.9S(MB)	EB010-01140	35235729	MARIN BLUE	SI-RUBBER	DRAWING No. EB010-01050-C01				
THIRD ANGLE PROJECTION	A	5/1	KOT	KOT	KNJ	CJW				
	TOLERANCE	SCALE	DESIGN	DRAWN	CHECKED	APPROVED				

