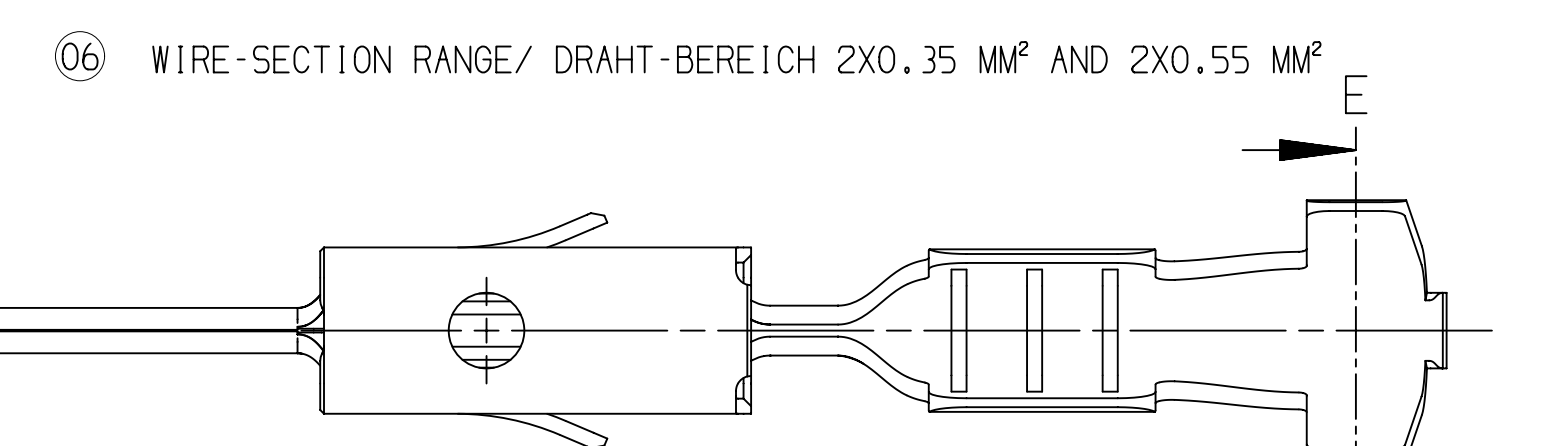
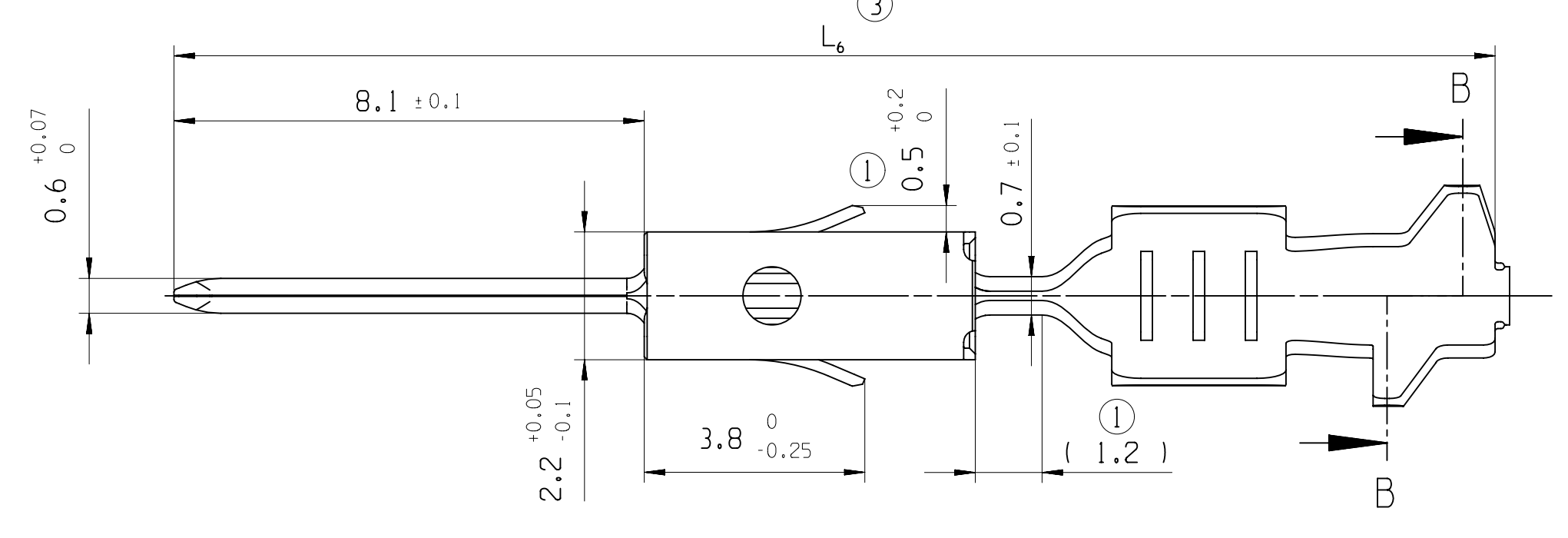
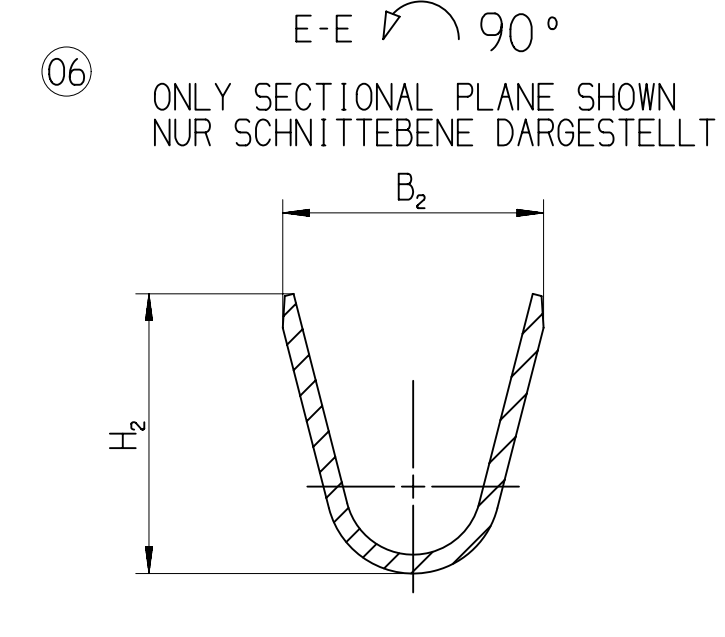
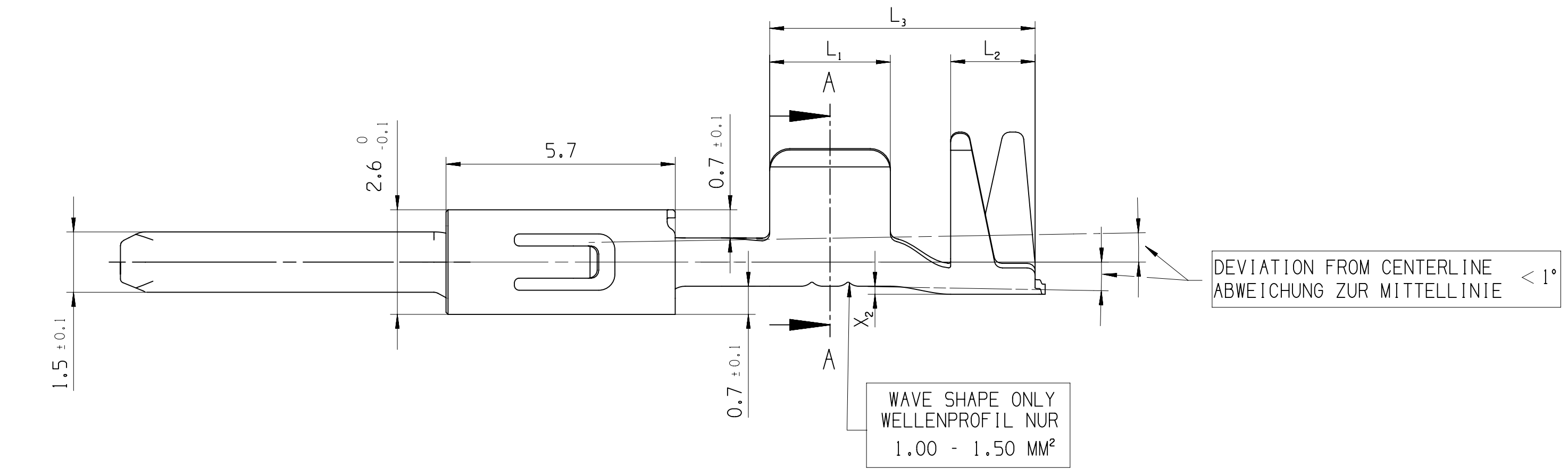
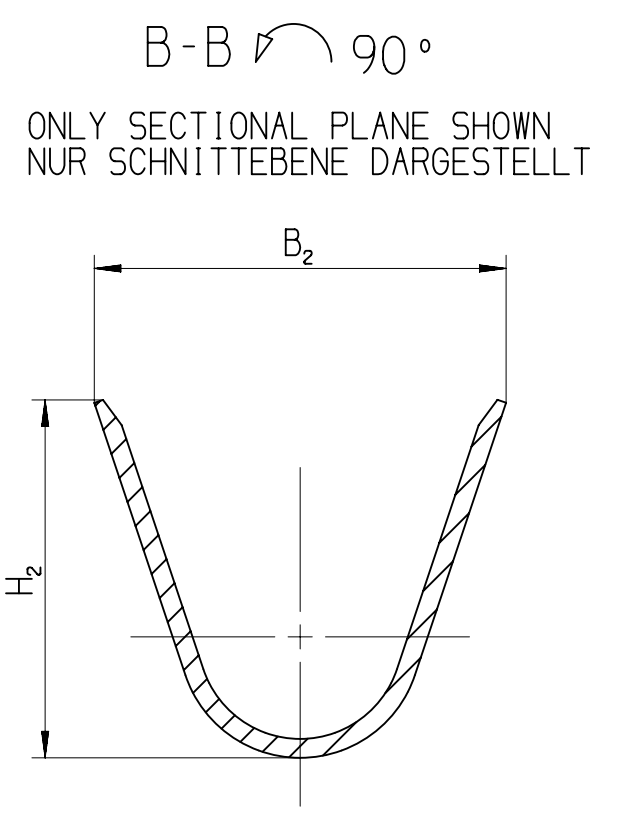
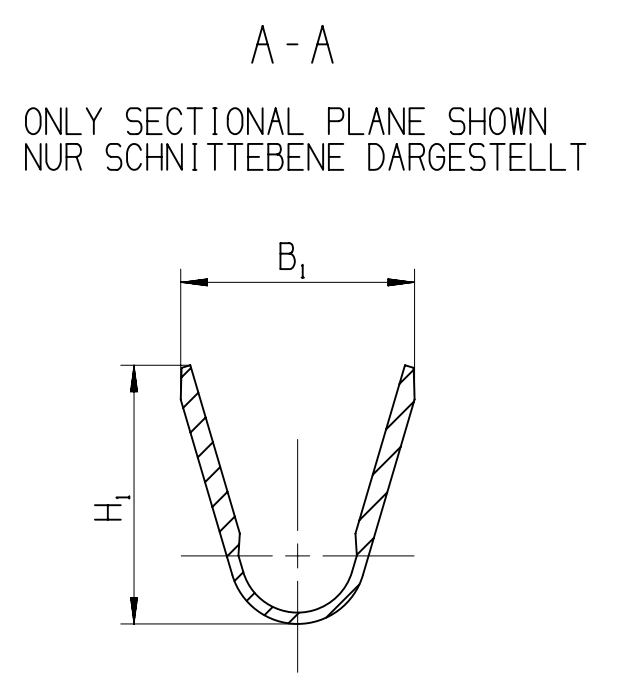
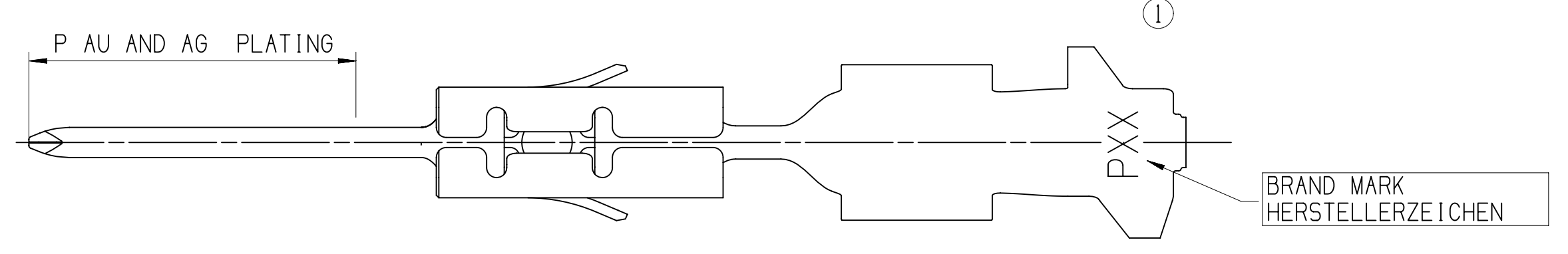
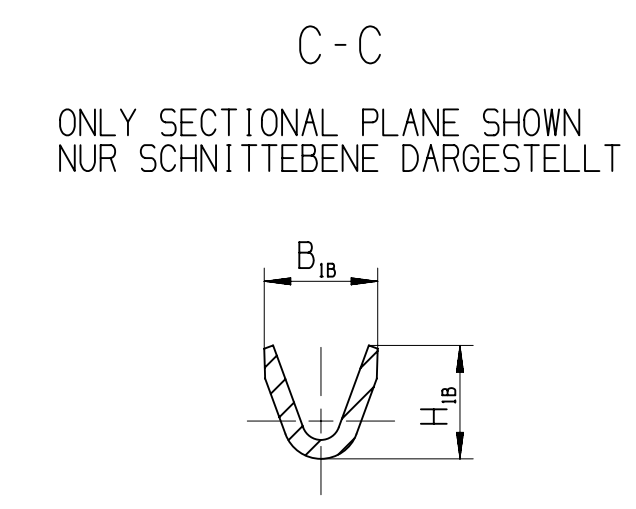
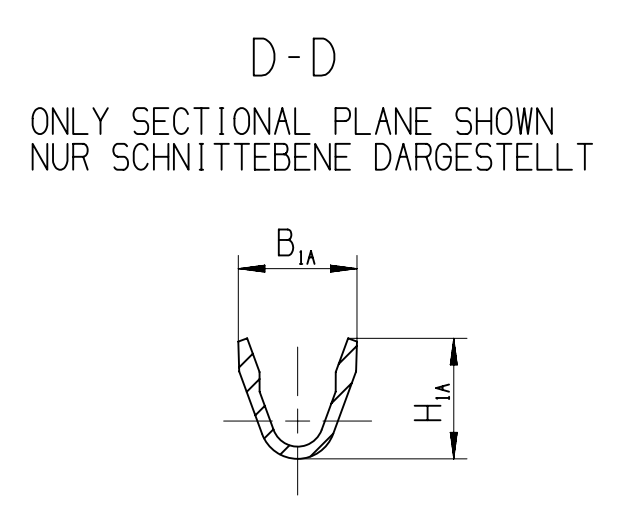
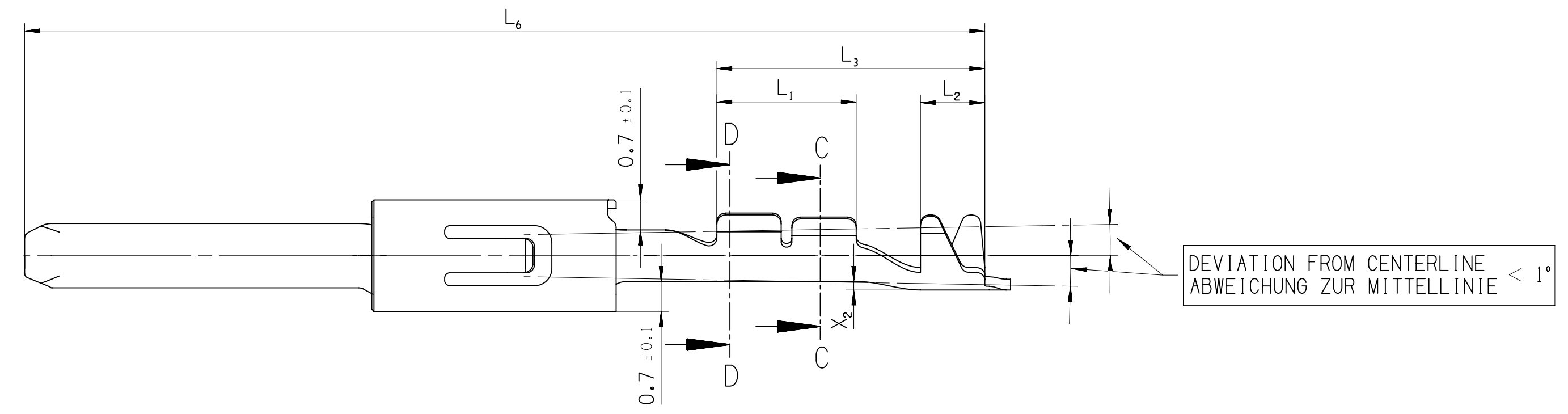


CROSS SECTION QUERSCH. MM²	CABLE LEITUNG Ø	SEAL DICHTUNG CAVITY Ø 3.60	SEAL DICHTUNG CAVITY Ø 4.00
0.35	1.20 - 1.40	15327913	15344938
0.50	1.40 - 1.60	15327913	15344938
0.75	1.70 - 1.90	15327918	15339560
1.00	1.90 - 2.10	15339412	15339560
1.50	2.20 - 2.40		10720807

X ₂ ±0.1	L ₁ ±0.2	L ₂ ±0.1	L ₃ ±0.1	H ₁ ±0.2	H ₂ ±0.2	H ₃ ±0.2	H ₄ ±0.2	B ₂ ±0.2	B _{3a} ±0.2	B _{3b} ±0.2	B _{3c} ±0.2	B _{3d} ±0.2	CROSS SECTION QUERSCH. MM²	VERSION
0.20	22.40	6.25	1.50	3.25	1.75	1.50	1.60	1.80	1.50	1.60			0.08-0.18	UNSEALED
0.20	22.75	6.35	2.00	2.50	2.55		1.70	2.30				1.80	0.22-0.35	
0.20	22.75	6.60	2.20	3.00	3.40		2.55	3.10				2.40	0.50-0.75	
0.20	22.75	6.60	2.20	3.00	4.00		3.35	3.75				3.10	1.00-1.50	
0.20	22.75	6.60	1.60	3.00	3.70		2.55	3.45				2.15	0.08-0.18	SEALED
0.80	22.75	6.60	1.95	3.25	4.80	1.50	1.60	5.45	1.50	1.60			0.08-0.18	
0.80	22.75	6.10	2.10	2.60	4.70		1.75	5.45					0.22-0.35	
0.80	22.75	6.60	2.10	3.00	4.70		2.55	5.45					0.50-0.75	
0.80	22.75	6.50	2.10	3.00	4.70		3.30	5.45					1.00-1.50	

WIRE-SECTION RANGE/ DRAHT-BEREICH 0.08 - 0.18 MM²



VERSION	CROSS SECTION QUERSCH. MM²	VERSION	CONTACT AREA PLATING BESCHICHTUNG KONTAKTZONE	P (MIN)	PART-NO.	PART REV.	DATE DATUM	
UNSEALED	0.08-0.18		1.2-2.5 µ SN		13733481	01	30AP10	
			0.8µ AU, 2µ NI SUBPLATED	6.50	13988133	01	24MY13	
	0.22-0.35		(3) 1.2-2.5 µ SN		15396711	01	10MY05	
			0.8µ AU, 2µ NI SUBPLATED	6.50	15482338	01	10MY05	
SEALED	0.50-0.75		1.2-2.5 µ SN		15396712	01	10MY05	
			0.8µ AU, 2µ NI SUBPLATED	6.50	15482339	01	10MY05	
	1.00-1.50		1.2-2.5 µ SN		15482337	01	10MY05	
			0.8µ AU, 2µ NI SUBPLATED	6.50	15482340	01	10MY05	
SEALED	0.08-0.18		1.2-2.5 µ SN		15396713	01	01JAN17	
			0.8µ AU, 2µ NI SUBPLATED	6.50	15482341	01	01JAN17	
	0.22-0.35		1.2-2.5 µ SN		35175259	01	29JAN18	
			1.2-2.5 µ SN		15482323	01	10MY05	
	0.50-0.75		1.2-2.5 µ SN		33118031	01	18SE13	
			0.8µ AU, 2µ NI SUBPLATED	6.50	15482326	01	10MY05	
	1.00-1.50		2µ AG, 1µ NI SUBPLATED	6.50	13894108	01	27JUL11	
			2µ AG, 1µ NI SUBPLATED	6.50	33118033	01	18SE13	
	SEALED	0.50-0.75		1.2-2.5 µ SN		15482324	01	10MY05
				0.8µ AU, 2µ NI SUBPLATED	6.50	15482327	01	10MY05
		1.00-1.50		2µ AG, 1µ NI SUBPLATED	6.50	13894085	01	27JUL11
				2µ AG, 1µ NI SUBPLATED	6.50	33120088	01	18SE13
SEALED	1.00-1.50		1.2-2.5 µ SN		15482325	01	10MY05	
			0.8µ AU, 2µ NI SUBPLATED	6.50	15482328	01	10MY05	
			2µ AG, 1µ NI SUBPLATED	6.50	13894097	01	27JUL11	

REMARKS:

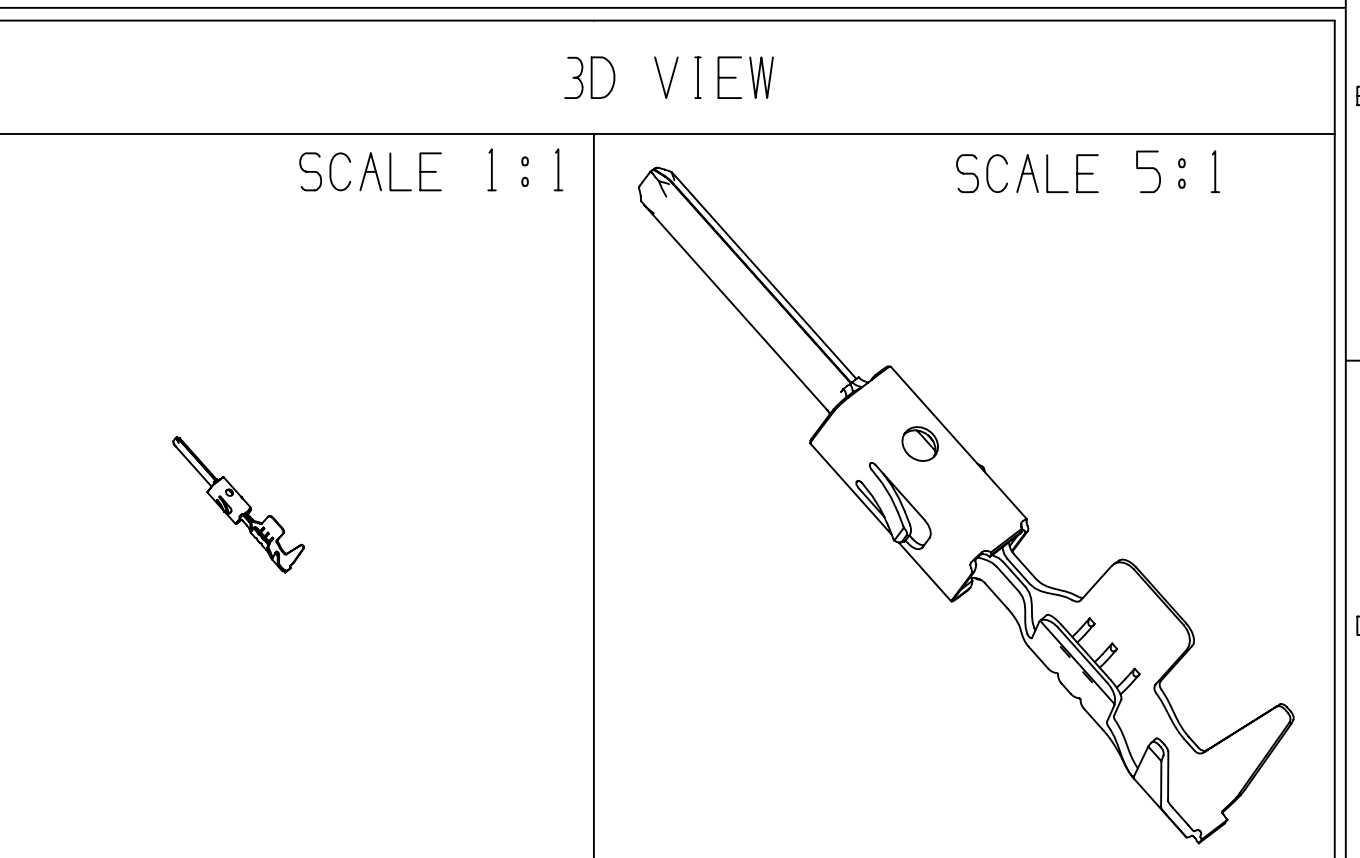
- DIMENSIONS IN MILLIMETER
- CRIMP DESIGN TO FIT CABLE TYPE FLR
- BASE MATERIAL CUFE2P; CW107C; C19400
- CRIMP MIN. 1.2µ SN PLATED; FREE OF NI
- SLEEVE MATERIAL XI0CRN1188; EN 10151
- TERMINAL-CAVITY ACCORDING DELPHI SPECIFICATION
- M: MODIFIED
- RETENTION FORCE SLEEVE TO BODY IN WITHDRAWAL DIRECT MINIMUM 110N

5) BEMERKUNGEN:

- MASSE IN MILLIMETER
- CRIMP GEOMETRIE PASSEND FUER LEITUNG TYP FLR
- BASISMATERIAL CUFE2P; CW107C; C19400
- CRIMP MIN. 1.2µ SN BESCHICHTET; FREI VON NI
- UEBERFEDERMATERIAL XI0CRN1188; EN 10151
- KONTAKTKAMMER ENTSPRECHEND DELPHI SPEZIFIKATION
- M: MODIFIZIERT
- HALTEKRAFT UEBERFEDER AUF BASISTEIL IN ABZUGRICHTUNG MIN. 110N

KEY PRODUCT CHARACTERISTICS				
SAFETY/COMPLIANCE	FIT/FUNCTION	TOTAL ON DRAWING	0	
S/C CHECKPOINTS	F/F CHECKPOINTS	LAST NO. USED	0	
NO & TYPE	DESCRIPTION	RATIONALE	PTS	ZONE

DATE	STATUS	REV	BY	CHKD	ZONE	REVISION HISTORY	AUTH	DR	APVD 1	APVD 2
10MY05	R	01	AM			INITIAL RELEASE FREIGABE			FRIMM	CVASAR.WIS.
10AU05	R	01	AM	G7		DIM. / MASS 6.50 MAS / MNR 6.40; L5 REMOVED/ ENTFERNT			FRIMM	CVASAR.WIS.
12AU05	R	01	AB	C8		DIM. / MASS 81.249 MAS / MNR 1.2x0.2			FRIMM	CVASAR.WIS.
12AU05	R	01	AC	E6		ATTRIBUTE HOLE ADDED EIGENSCHAFT BOHRUNG HINZU			FRIMM	CVASAR.WIS.
12AU05	R	01	AD	C9		DIM. / MASS 0.5x1.2 ADDED/ HINZU			FRIMM	CVASAR.WIS.
28JUL06	R	02				PART-NO. / TEILE-NR. 1396791; 1396792 ADDED/ HINZU			FRIMM	CVASAR.WIS.
17JUL07	R	02	AM			MATH. MODEL REVISED MATH. AKTUALISIERT			FRIMM	CVASAR.SKR.
17NOV08	R	02	AB	F9		PARTVIEW MODIFIED TEILEANSICHT GEANDERT			FRIMM	R.GUT.MICHA.
04DEC08	R	02	AC	H5		CROSS SECTION QUERSCHNITT 0.11x1.35 MAS/MNR 0.22 0.35			K.BOR	RED. MICHA.
30AP10	R	03				PART-NO. / TEILE-NR. 13318031; 13318032; 13318033; 13318034; 13320088 ADDED/ HINZU NEW DRAWING FORMAT; NEUES ZEICHNUNGSFORMAT CROSS SECTION QUERSCHNITT 0.22 0.35 MAS / MNR 0.11x0.35			FRIMM	GUT SYS
16NOV10	R	03	AM	C12 M12		DIM. / MASS 1.6 MAS / MNR 22.75			FRI	GUT SYS
27JUL13	R	04		L4		PART-NO. / TEILE-NR. 13894108; 13894085; 13894097 ADDED/ HINZU			FRI	GUT SYS
24MY13	R	05		4		13988133; 33118031; 33118032; 33118034; 3320088 ADDED/ HINZU RL: R2 REMOVED/ ENTFERNT				
	R			L11		SEAL / DICHTUNG 1547886 REMOVED/ ENTFERNT			PHIL	FRI
22JAN16	R	05	AM	B7		NOTE: RETENTION FORCE SLEEVE... ADDED BEWERTUNG: HALTEKRAFT UEBERFEDER... HINZU			K.BRA	R.GUT SYS
30AP16	R	05	AB	M10		DIM. / MASS 6.25 MAS / MNR 6.35			K.BRA	G.FRI SYS
20FEB18	R	06		L4 L4		15396713 AND 15482321 UPDATED ACCORDING TO GROUP TYPE PART-NO. / TEILE-NR. 5175259 ADDED/ HINZU			ARU	FRI



APTIV
CONNECTION SYSTEMS
Chennai, India

APRIL 2019

UNLESS OTHERWISE SPECIFIED

GENERAL TOLERANCES ACCORDING TO:

GD&T ACCORDING TO:

REFERENCE

FIRST ANGLE PROJECTION

DO NOT SCALE
USE MATH DATA

DATE

DR	FRIMMERSDORF	DATE	10MY05
APVD1	CVASA	DATE	10MY05
APVD2	WISNIEWSKI	DATE	16JUN05
APVD3		DATE	
APVD4		DATE	
APVD5		DATE	

DRAWING NAME: MALE TERMINAL TTS 1.5 X 0.6 UNSEALED AND SEALED

STIFTKONTAKT TTS 1.5 X 0.6 UNGEDICHTET UND GEDICHTET

DRAWING NUMBER: 15396739

SIZE: A0 SCALE: 10:1 FRAME NO: 1 OF 1 SHEET NO: 570 REV: N/FP R 06

DIM TO CHECK	PROF. MASSE	CHART D.
0	> 12	
1	> 12	
2	> 12	
3	> 12	
4	> 12	
5	> 12	
6	> 12	
7	> 12	
8	> 12	
9	> 12	
10	> 12	
11	> 12	
12	> 12	
13	> 12	
14	> 12	
15	> 12	
16	> 12	