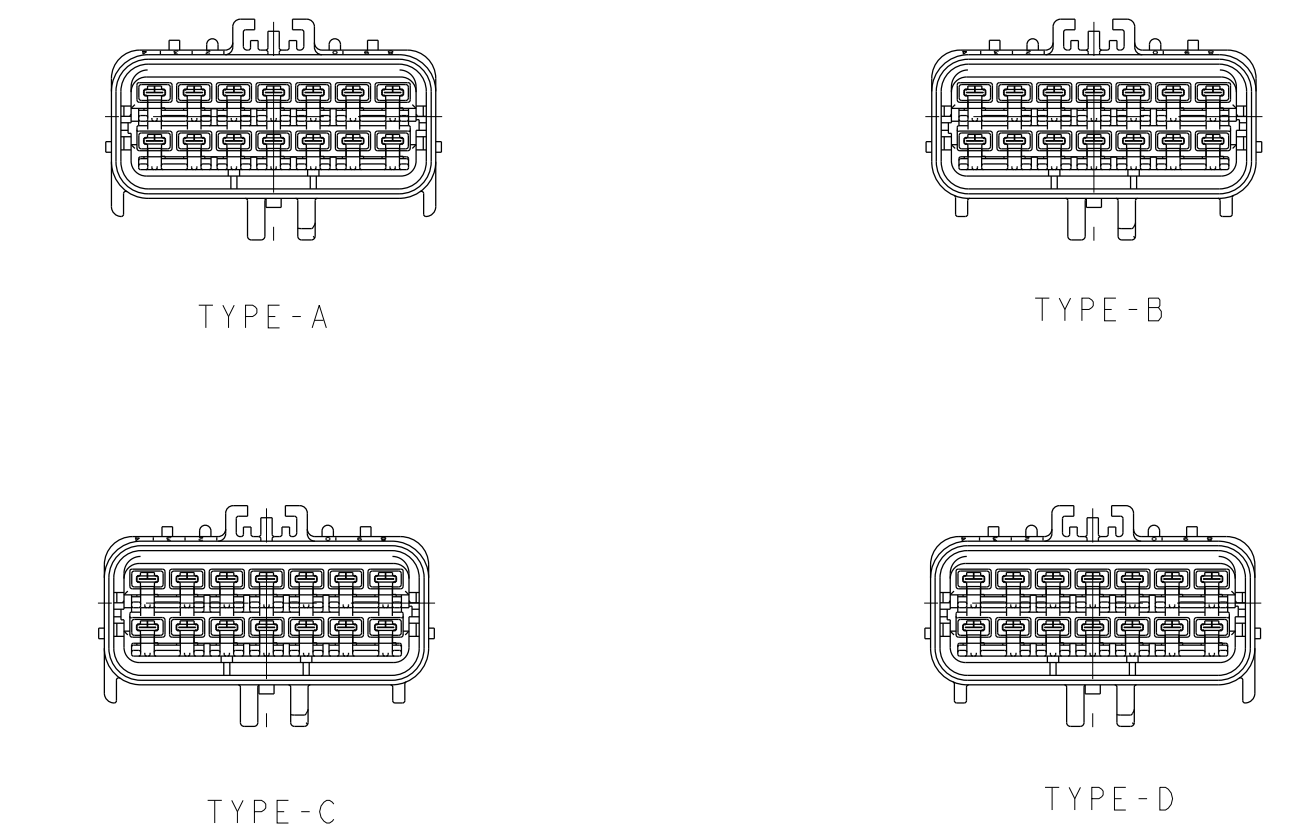
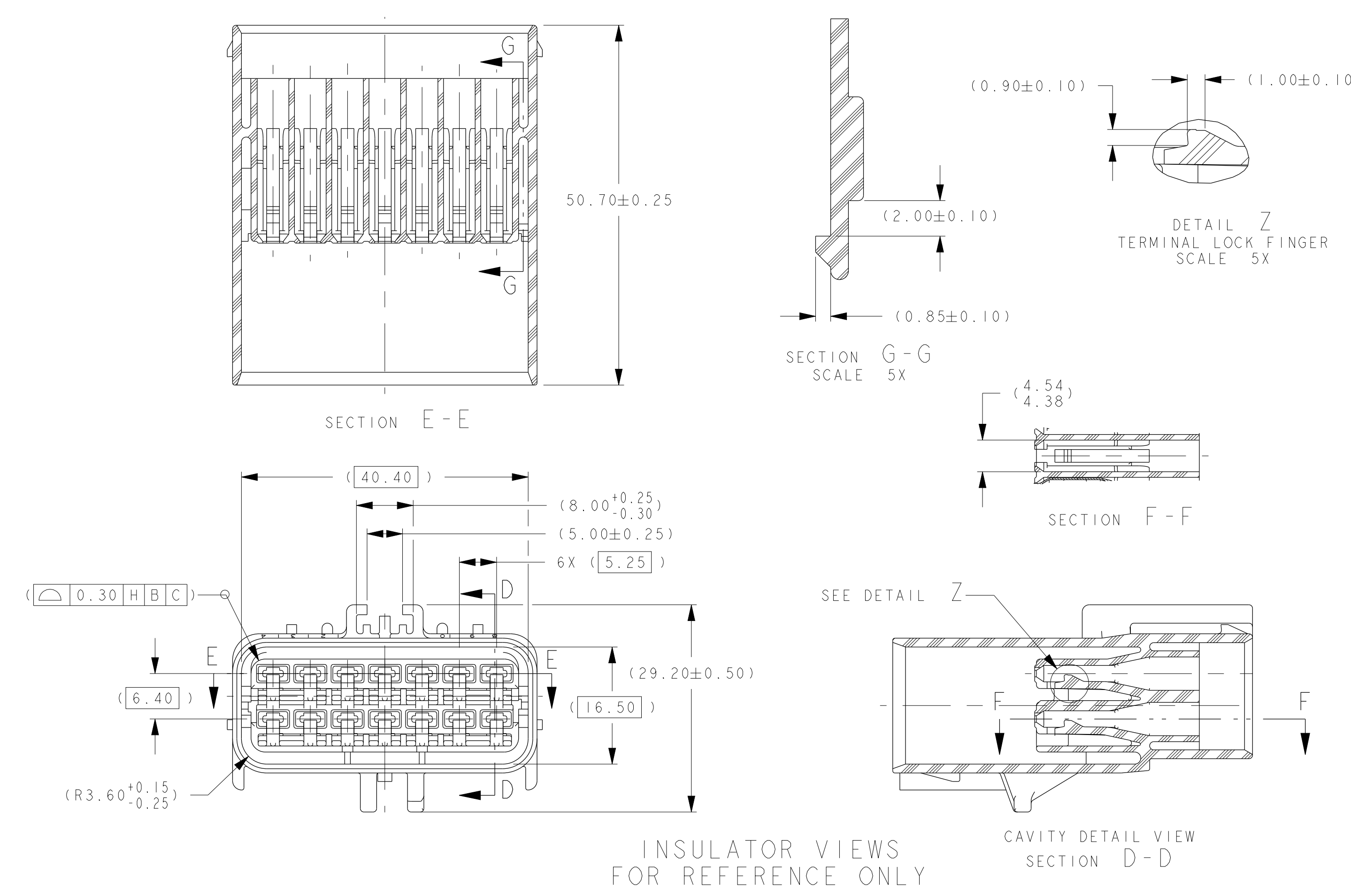
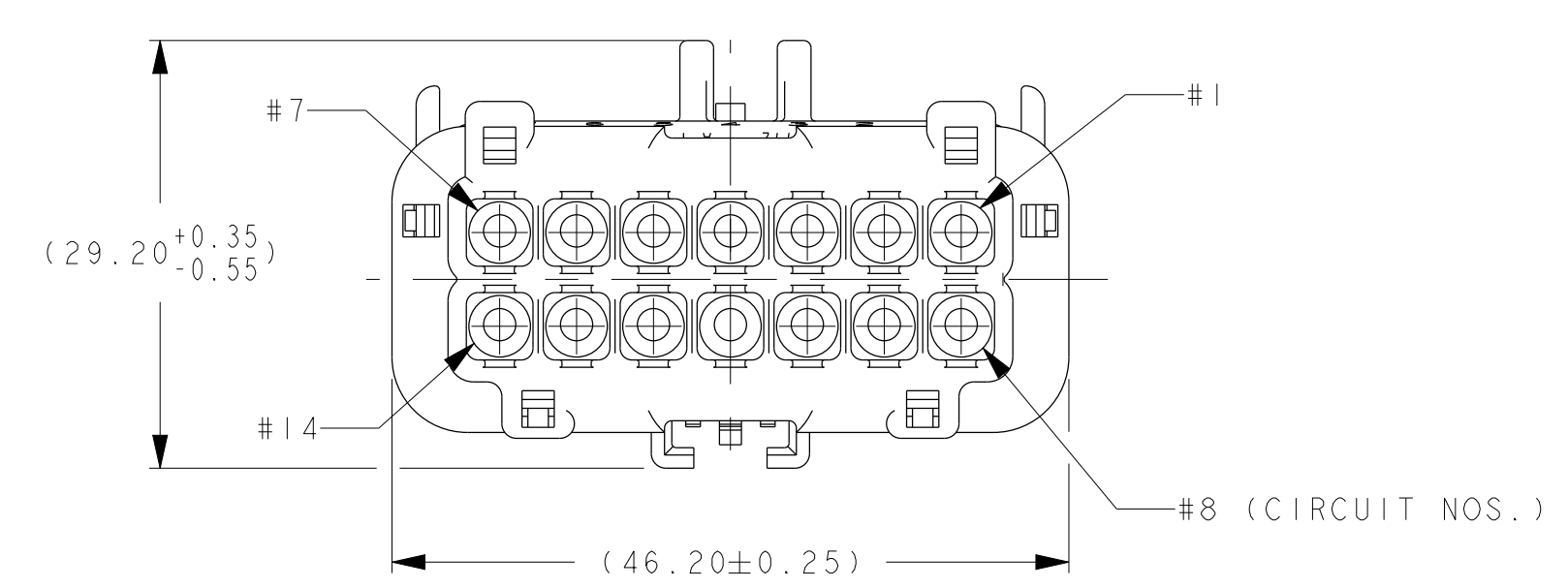
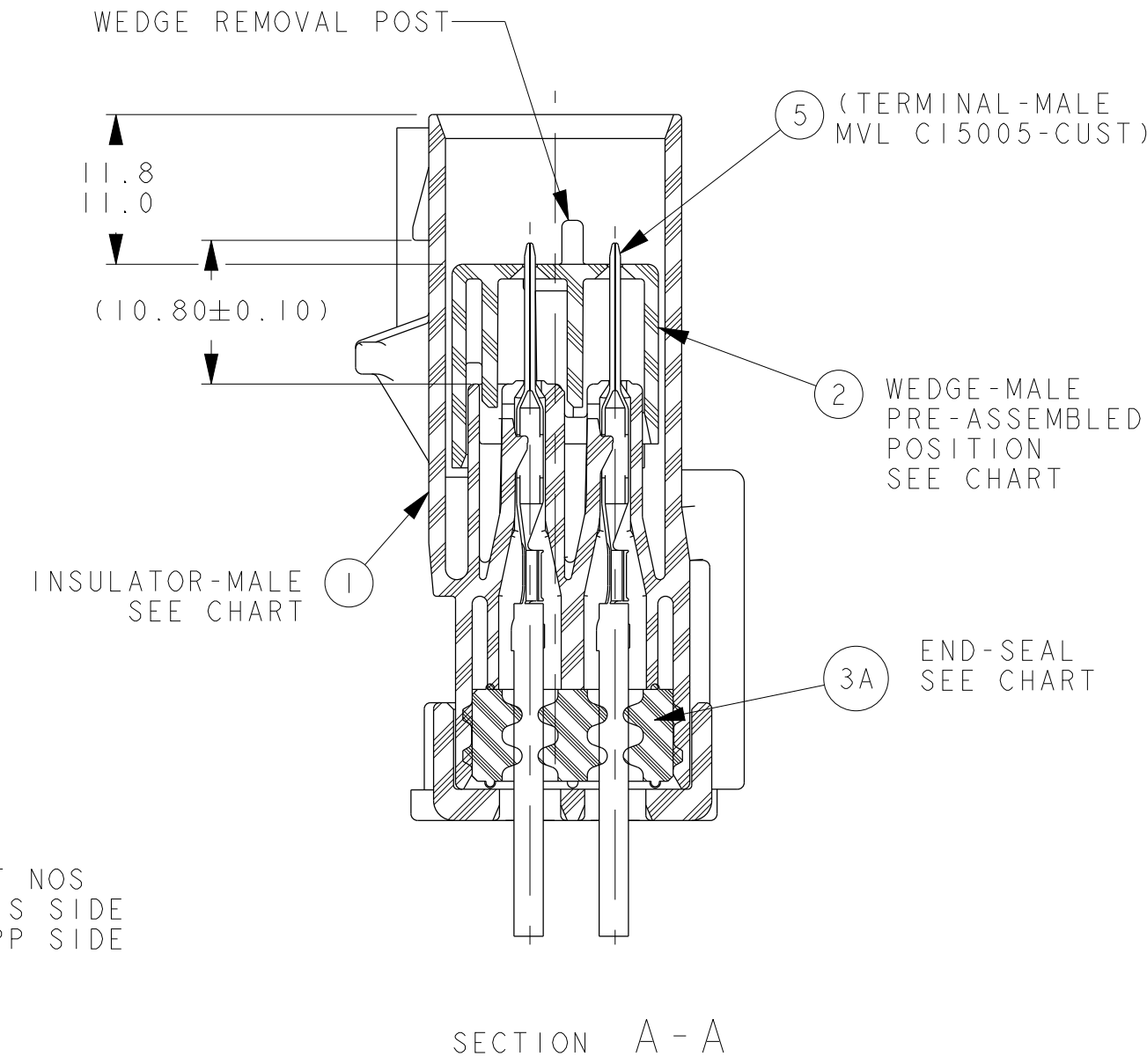
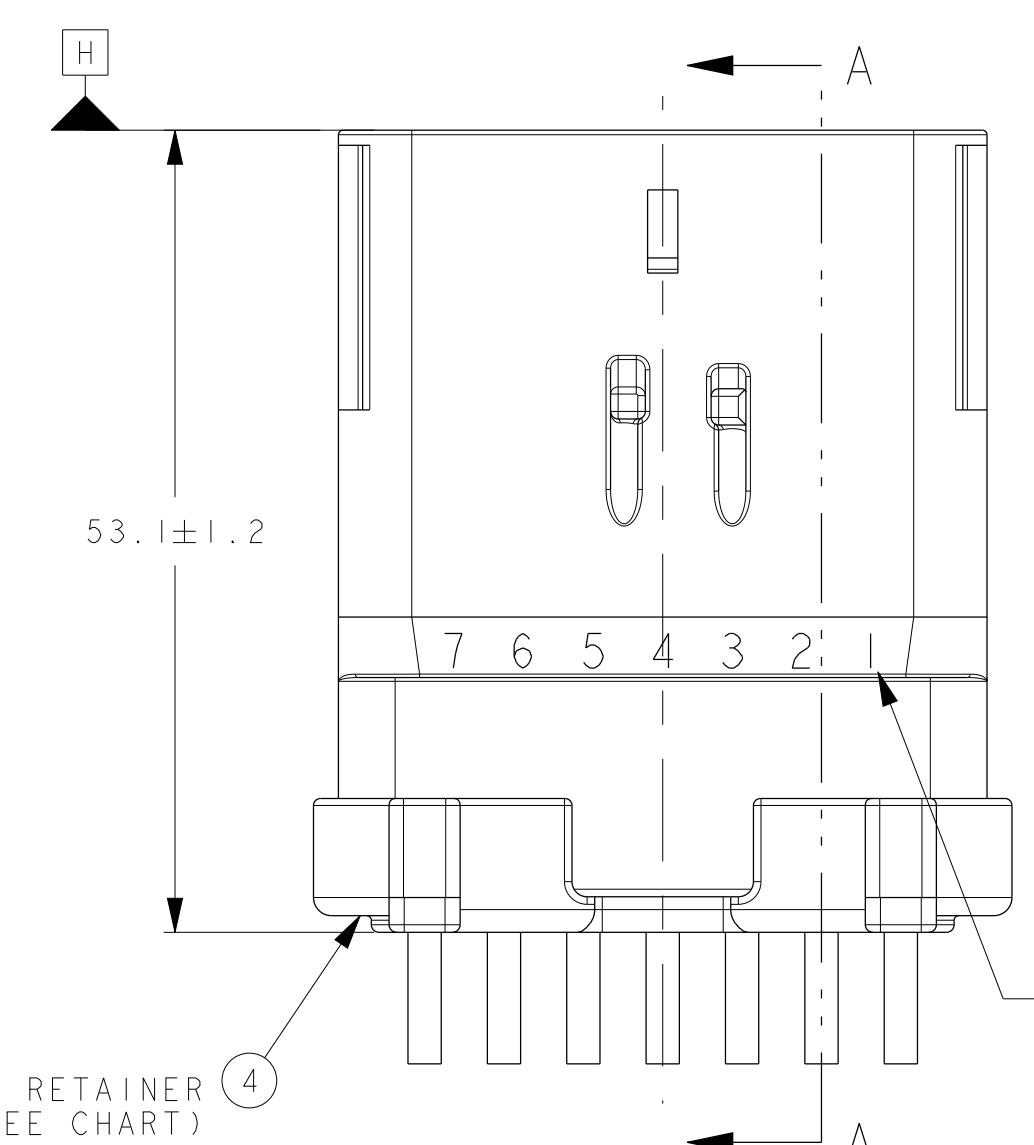
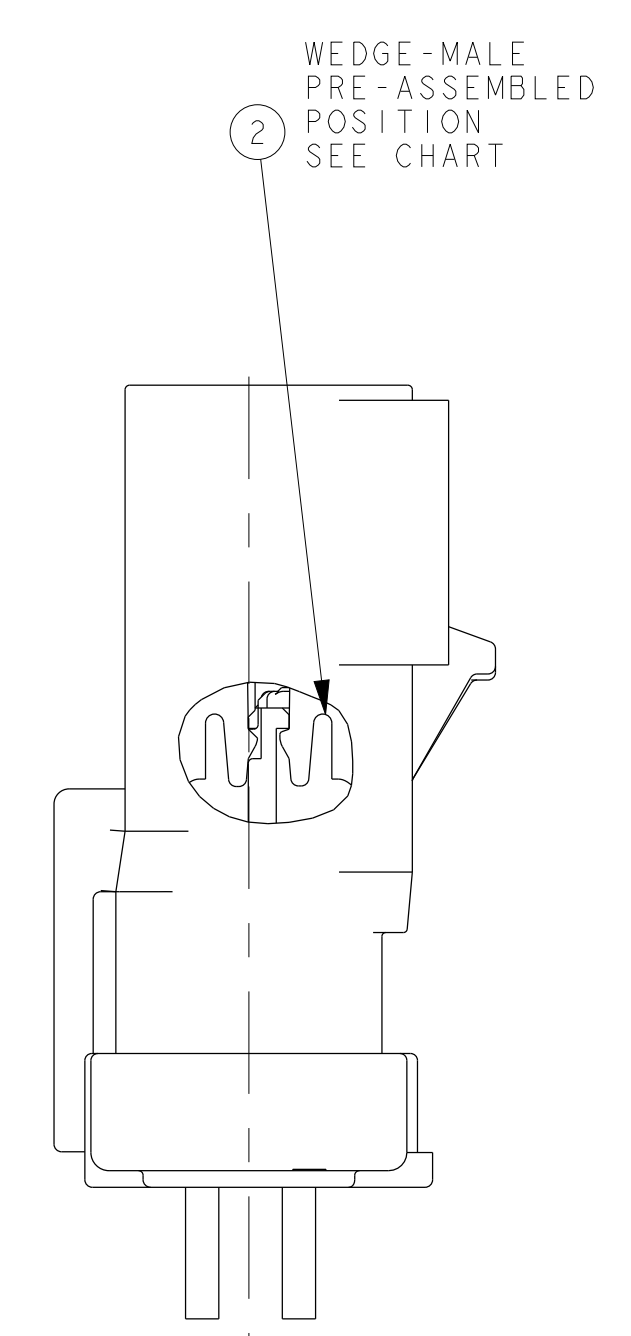
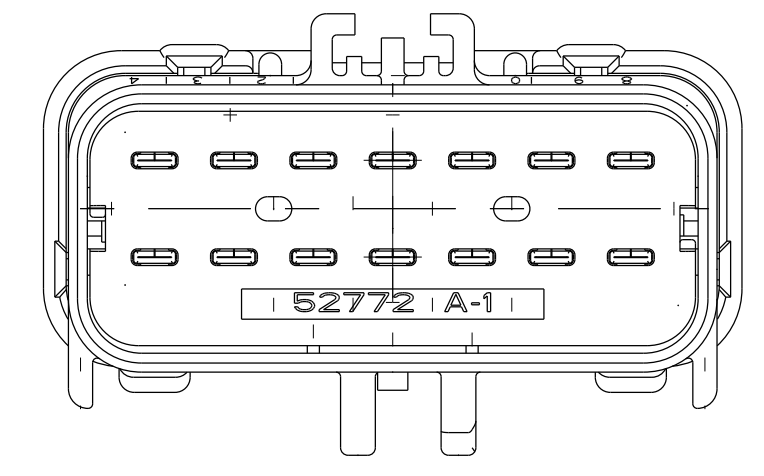
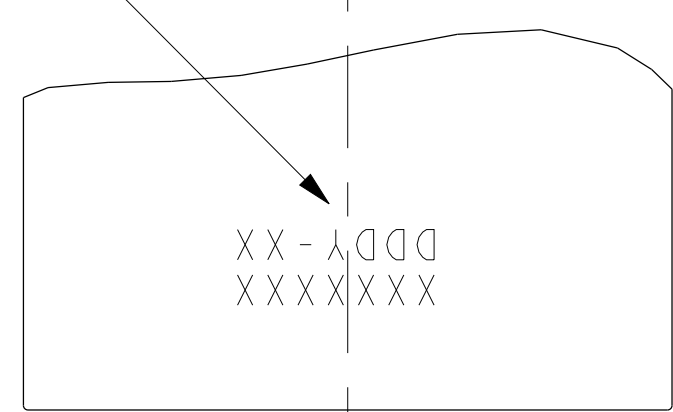
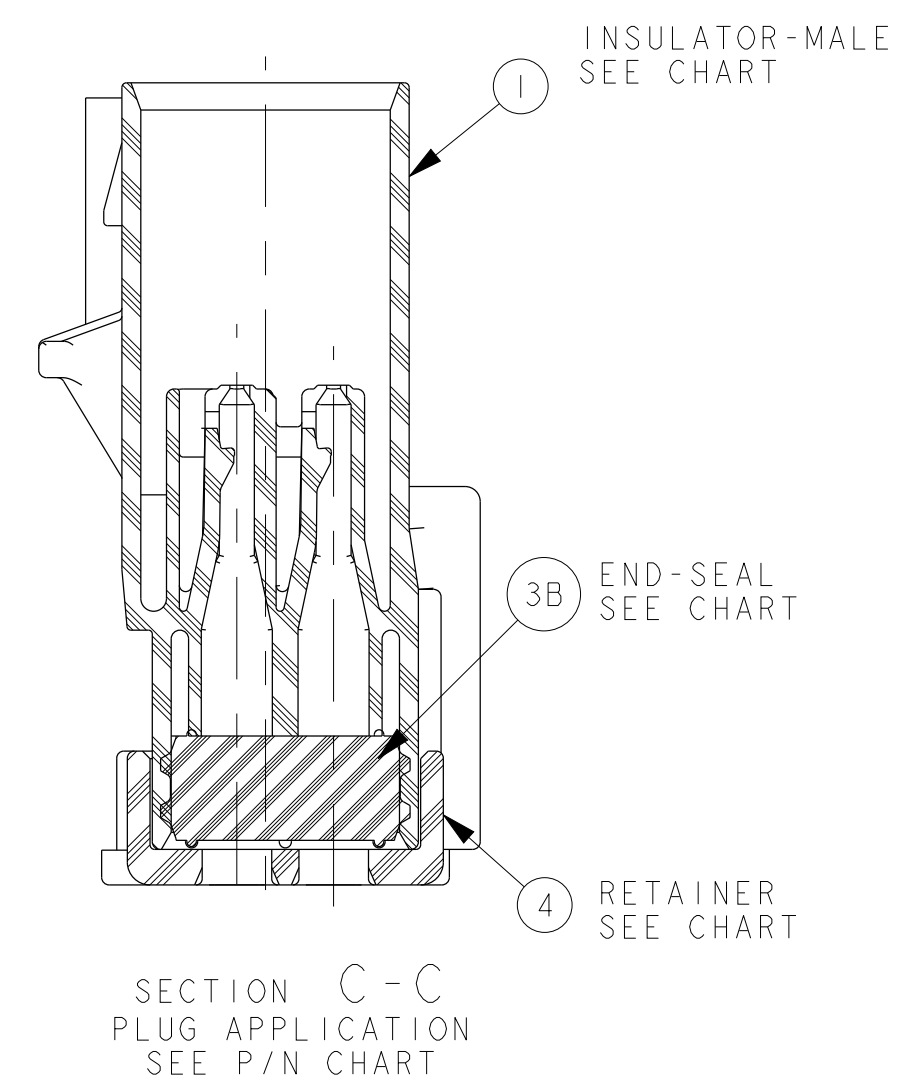
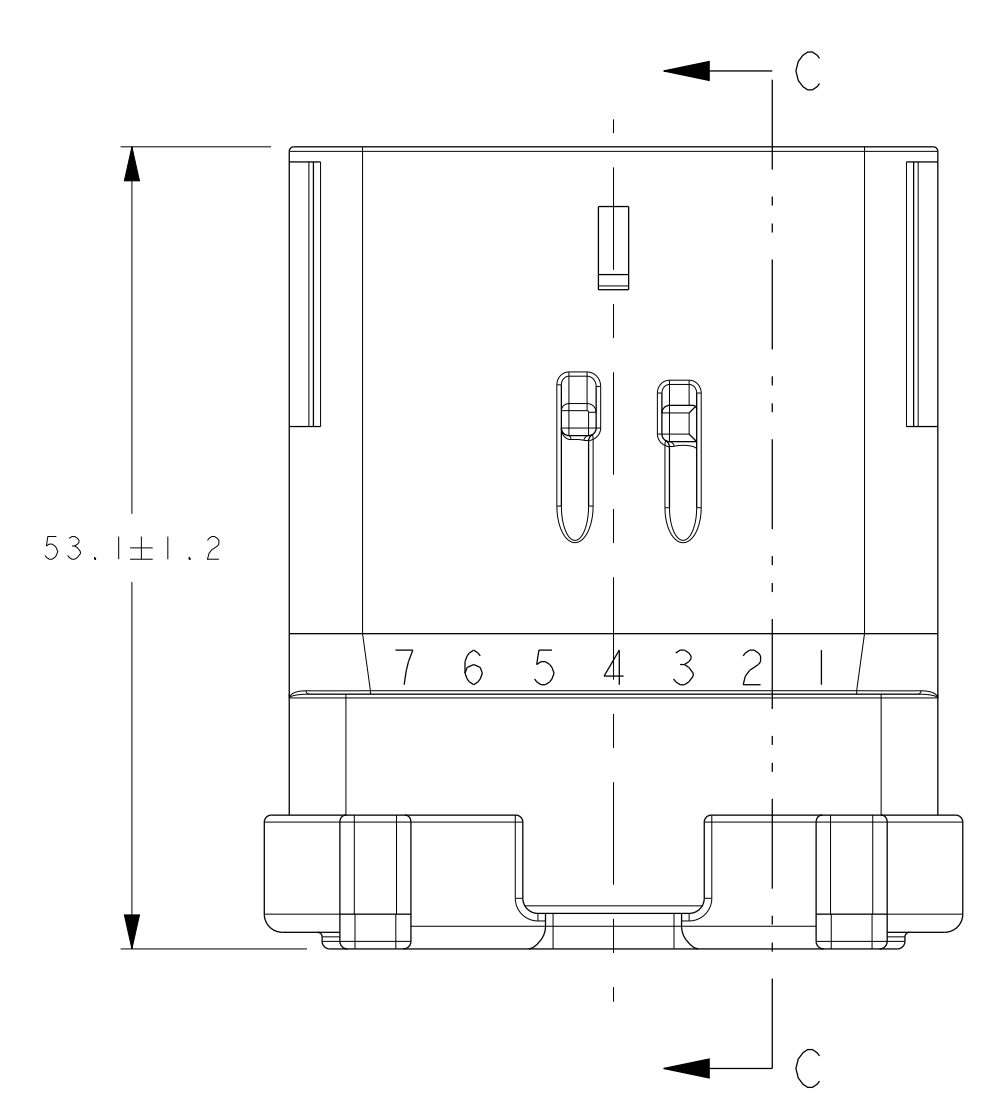
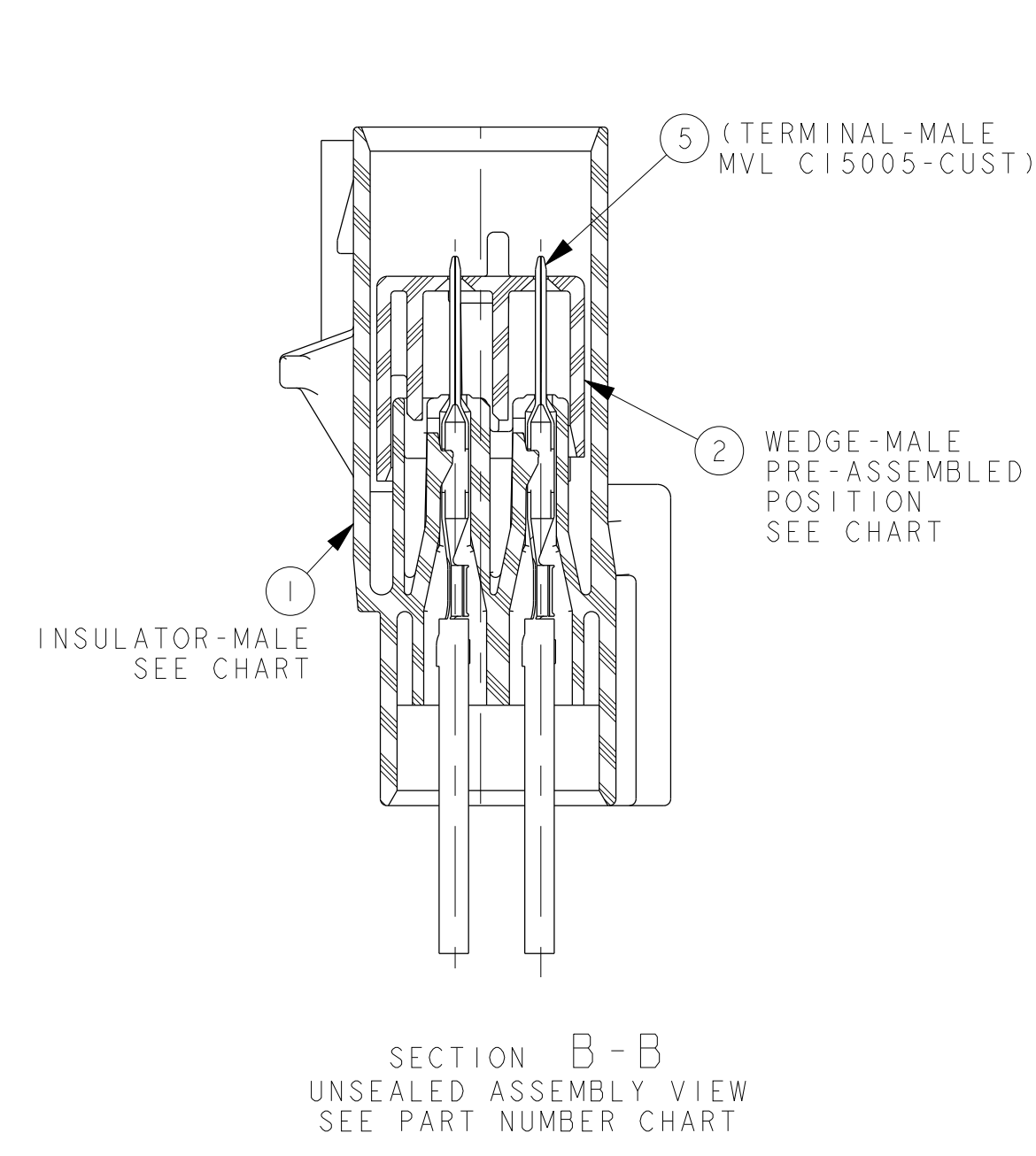
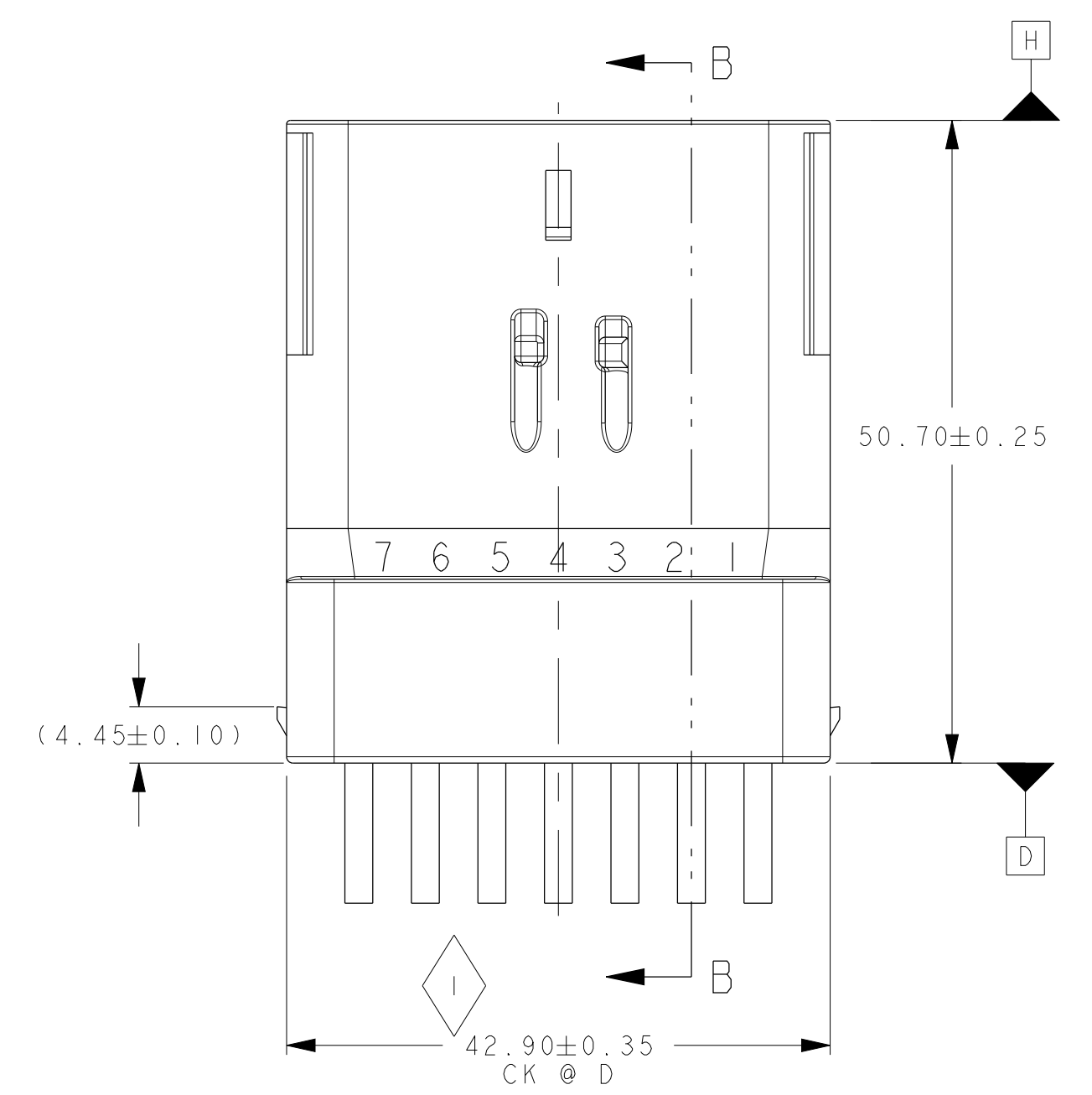


LAST 5 DIGIT OF 8 DIGIT P/N & PART CHANGE LEVEL (PCL) OR LAST 6 DIGITS OF 10 DIGIT P/N & PART CHANGE LEVEL (PCL), MFG. DAILY DATE CODE & ASSY MACHINE NO. LETTERING MUST BE LEGIBLE OPTIONAL



POLARIZATION OPTIONS FULL SIZE



- NOTES:
- QUALITY ASSURANCE REQUIREMENTS PER CHRYSLER PS-7300: 1 SPC DATA REQUIRED
 - ENGINEERING APPROVAL OF SUPPLIER SAMPLES IS REQUIRED PRIOR TO AUTHORIZATION OF PART PRODUCTION
 - CHANGES IN DESIGN COMPOSITION OR PROCESSING FROM THE PART PREVIOUSLY APPROVED FOR PART PRODUCTION REQUIRES PRIOR ENGINEERING APPROVAL
 - WIRING FABRICATORS MUST PURCHASE FROM SOURCES SHOWN
 - ALL SEALED APPLICATIONS WITH 33401040 MAT SEAL CAN BE USED WITH FOLLOWING INSULATION RANGES: Ø1.70 TO Ø4.09 (20AWG TO 10AWG) ALL CIRCUITS Ø1.70 TO Ø3.80 (0.75mm² TO 4mm²) ALL CIRCUITS Ø1.70 TO Ø4.20 (6 CIRCUITS WITH 5mm² 2 ON ENDS & 2 AT CENTER AND REMAINING 8 CIRCUITS 0.75mm² TO 4mm²)
 - ALL NON-SEALED APPLICATIONS MAY BE USED WITH ANY WIRE Ø1.40 TO Ø4.20 OD (22AWG TO 10AWG) EXCEPT AS NOTED PROVIDING THAT A TERMINAL GRIP FOR THAT CORE/INSULATION COMBINATION IS SHOWN ON THE MALE TERMINAL DRAWING
 - NOTE: MAX. INSULATION CRIMP WIDTH = 4.50
MAX. INSULATION CRIMP HEIGHT = 4.50
MAX. INSULATION = Ø4.20 (10AWG OR 5mm² ISO THIN WALL)
 - USE WITH CAVITY PLUG MVL 54200005 DELPHI 15316894 WHEN REQ'D USE WITH DOUBLE X-MAS TREE CLIP MVL 54200010 W/FORWARD STOP WHEN REQ'D USE WITH DOUBLE X-MAS TREE CLIP CHRYSLER 04707091 WHEN REQUIRED USE WITH SINGLE X-MAS TREE CLIP CHRYSLER 04625797 WHEN REQUIRED USE WITH 2.80MM APEX MALE TERM PER MVL C15005-CUST SYM ABOUT CENTERLINE FOR 180° ORIENTATION
 - TEST METHOD PER SAE/USCAR-2 REV.5, CONNECTOR ENGAGE & DISENGAGE WITH FEMALE LATCH DEPRESSED FORCE NOT TO EXCEED 142N (32LBS/PF-752(T)) PRESSURE 3 PSI (22 KPA) PER TEST PF-752(T)
 - WEDGE SEATING FORCES - 150N MAX
X-MAS TREE CLIP INSERTION FORCES - 75N MAX
 - SUPPLIER, MOLD & CAVITY I.D. SIGNIFIES TOOL OWNERSHIP, FOR REFERENCE
 - ANNUAL QUALITY REQUIREMENTS:
IT IS PERMISSIBLE TO PERFORM CONTINUOUS CONFORMANCE PER MVL SPECIFICATION #A0A-001 INSTEAD OF ANNUAL LAYOUT & ANNUAL PV REQUIREMENTS OF QS-9000 SECTION 2 & PF-9600
 - ALL NON-REFERENCE DIMENSIONS ARE REQUIRED
 - USE INDEX A, BLACK SEALED AND UNSEALED FOR ALL AFFECTED INSULATOR CAVITIES
 - CURRENT PRODUCTION TOOLING
 - POINT OF LAST RUN
 - SERVICE TOOLING GUIDE INFORMATION PER APEX TRAINING MANUAL MUST CONFORM TO THE FOLLOWING CHRYSLER/YNA STANDARDS:
 - SAE/USCAR-2 REV 5 EXCEPT AS NOTED ABOVE
 - PS-7300 QUALITY ASSURANCE (CHRYSLER)
 - MS-9502 SEAL APPL. 150 °C
 - MS-9298 SEAL APPL. 125 °C
 - PS-9227 DATA EXCHANGE (CHRYSLER), (G009-7 YNA)
 - PS-10052 INFORMATION SECURITY (CHRYSLER)
 - THIS DRAWING (H59016) REPLACED CHRYSLER DRAWING 04687887 REV "H"
 - MVL SUPPLIER CODE: 52772 OR 52772H

MATING PART NUMBER CHART

INDEX TYPE	COLOR	SEALED/UNSEALED	MATING PART NUMBER CHART			
			MVL	DELPHI (CHRYSLER)	YNA	MVL
D	LT GREEN	UNSEALED	DIRECT CONNECT APPLICATION			
		UNSEALED	DIRECT CONNECT APPLICATION			
	NATURAL	UNSEALED	DIRECT CONNECT APPLICATION			
		UNSEALED	DIRECT CONNECT APPLICATION			
C	DK GREY	UNSEALED	DIRECT CONNECT APPLICATION			
		UNSEALED	DIRECT CONNECT APPLICATION			
	LT GREY	UNSEALED	DIRECT CONNECT APPLICATION			
		UNSEALED	DIRECT CONNECT APPLICATION			
A	BLACK	UNSEALED	DIRECT CONNECT APPLICATION			
		UNSEALED	DIRECT CONNECT APPLICATION			
	BLACK	UNSEALED	DIRECT CONNECT APPLICATION			
		UNSEALED	DIRECT CONNECT APPLICATION			

CHART-ASSEMBLY PART NUMBERS

MVL P/N'S	PCL	DELPHI P/N'S	CHRYSLER P/N'S	CHRYSLER NON-CHRYSLER P/N'S	CHART-ASSEMBLY PART NUMBERS	
					UNSEALED	SEALED
54201404	E	13581869	01	04687935	N/A	N/A
54201405	G	33500121	01	04687936	N/A	N/A
54201468	K	33511472	01	N/A	N/A	N/A
54201415	H	10757674	02	04687933	GM15125233	N/A
54201416	G	10757673	02	04687934	N/A	N/A
54201417	H	10757675	02	04707241	N/A	N/A
54201418	L	10757778	02	04707243	N/A	N/A
54201459	G	15537596	01	N/A	N/A	N/A
54201462	J	15537595	01	N/A	N/A	N/A
54201463	J	15537594	01	N/A	N/A	N/A
54201464	J	15537591	01	N/A	N/A	N/A

COMPONENTS

REQUIRED	REQUIRED	ITEM	MVL	DELPHI	PART NAME	MATERIAL
I	I	I	I	I	INS-MALE INDEX A; BLK	NYLON 66
I	I	I	I	I	INS-MALE INDEX B; LT GREY	NYLON 66
I	I	I	I	I	INS-MALE INDEX C; DK GREY	NYLON 66
I	I	I	I	I	INS-MALE INDEX D; NATURAL	NYLON 66
I	I	I	I	I	WEDGE-MALE; RED	NYLON 66
I	I	I	I	I	END SEAL; DK BLUE	SILICONE
I	I	I	I	I	END SEAL; BRT YELLOW (NO HOLES)	SILICONE
I	I	I	I	I	RETAINER; BLACK	NYLON 66
3	3	3	3	3	CONNECTOR ASSEMBLY TEMPERATURE CLASS PER SAE/USCAR-2 REV.5	

13-00799	DIS D16	ALL	0266892 - DPN'S CORRECTED FOR MVL PARTS WERE RE-ASSIGNED NEW FOR EXISTING DPN'S. CHRYSLER COMPONENTS P/N'S REMOVED NOT USED P/N 33401040 MAT SEAL REPLACED MVL 54201459 AFFECTING THE FOLLOWING 54201415 REPLACED 33401042; WIRE APPLICATION RANGE REVISED, PCL BUMPED FOR SEALED ASSEMBLIES WITH 33401040 SEAL
13-00643	ALL	ALL	022555 - REVISED & REDRAWN IN PDS, ADDED DELPHI PART NUMBERS FOR MVL PARTS WITH REV LEVELS. ADDED NEW P/N 33401042 ASSY AND 33401040 END SEAL. CHARTS AND NOTES UPDATED PCL REPLACED BY MVL

DELPHI 859000 CHART ASSEMBLY 8 WAY MALE H59016 SERIAL RELEASED

DATE: 11/20/15

FILE NAME: H59016

TAXI: 13535119