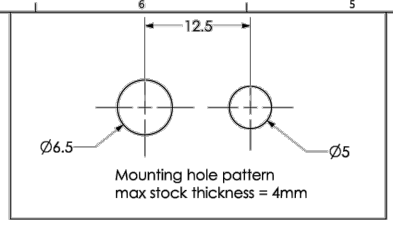
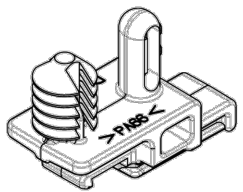


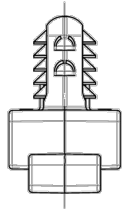
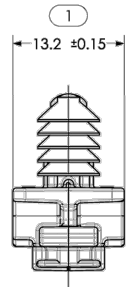
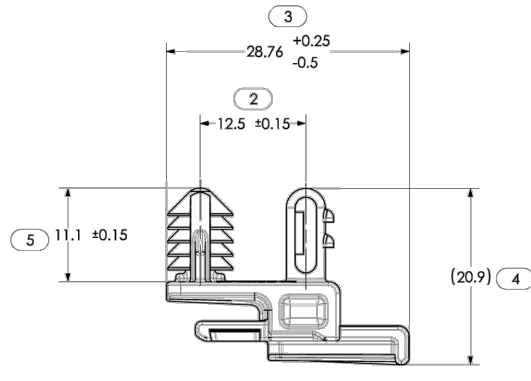
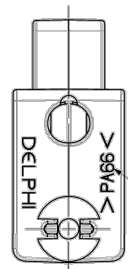
3		2		1	
DWG STATUS	ZONE	REVISION HISTORY		AUTH	DR
DATE	STG	REV	NP	CHG	---
DATE	STG	REV	NP	CHG	---
CREATED	DISTRIBUTABLE			162893	JA AC SE



Symbol definition		Missing symbols	
A dimension without an inspection report symbol does not require inspection. It may be controlled on the individual component drawing.	Total No. of inspections required	No missing symbol numbers	
	Last No. used	5	5



Isometric view



Reference notes:

- Unless otherwise specified and/or indicated: Dimensions are to face of view shown and automatically rounded by computer for inspection. For all other dimensions not shown, see math model.
- Mating components or equivalent: mates to any connector with self locking clip slot and GT unsealed catalog designs.
- This product is not categorized as an appearance item, minor imperfections including, but not limited to, flow marks, color blemishes, gate vestige, and soft flash that do not affect the fit, form, or function of the part are permissible per DPNP-4.7-CS-01.
- Material recycling code per ISO 11469, (1.5 X 0.1) characters as shown to be located on any exterior surface. Optional construction for existing tooling may be "PED".
- Material: see chart.

Part number	Global part description	Material	Color
15411124	CCFT6.5LG-TS5_PA66HIRHS	PA66HIRHS	Light gray

DIMENSIONS ENCLOSED IN () INDICATE REFERENCE DIMENSIONS AND NO TOLERANCE LIMITS ARE ESTABLISHED.

THIS DRAWING SUPERSEDES DELPHI DWG:15411124 REV 02

Revision Level		Revision Record		The copyright of this drawing is reserved by HellermannTyton.	Drawn	Date (YYYY/MM/DD)	Title	Scale
02.1	Design Release	Part	ECN 016632		Rubenkov	2021/08/03		Mount Atch Clip Conn Nail
Changed	Date (YYYY/MM/DD)			Approved	Date (YYYY/MM/DD)		Global Project Number	
Rubenkov	2021/08/06			Haftarski	2021/08/05		21-0170	
Approved	Date (YYYY/MM/DD)						Format	
Rohde	2021/08/06						A3	
				Units	HellermannTyton		Drawing-No	
				mm	www.HellermannTyton.com		21-0170-001-CSU	
							Sheet	
							1 / 1	

- NOTES:
- SUPPLIER: HELLERMANN TYTON P/N 133-04509
 - APTIV ELECTRICAL DISTRIBUTION SYSTEMS IS NOT RESPONSIBLE FOR DESIGN CONTROL OF PURCHASED "OFF SHELF" COMPONENTS.

• APTIV •
ELECTRICAL DISTRIBUTION SYSTEMS
WARREN, OH
THIS DRAWING IS NOT A PROPRIETARY DESIGN OF APTIV CORPORATION.

DATE	26AUG21
BY: ALVARADO, JESSICA	
APV3: CASTILLO, ANGELES	28AUG21
APV2: ESCOBEDO, SAUL	27AUG21
APV5:	
APV4:	
APV3:	

DWG TYPE:	PART DRAWING	MATERIAL:	SEE DWG
STYLE:	N/A	DISTR CODE:	D
VOLUME (CM3):	N/A	DRAWING NAME:	MOUN ATTCH CLIP CDNN GRA LT NAIL
		DRAWING NUMBER:	15411124
AutoCAD		SIZE:	A0
		SCALE:	NDNE
		FRAME NDI:	1 DF 1
		SHEET NDI:	1 DF 2
		STG:	R
		REVI:	02
		N/P:	AD

SUBSTANCES OF CONCERN AND RECYCLED CONTENT PER APTIV 10949001

