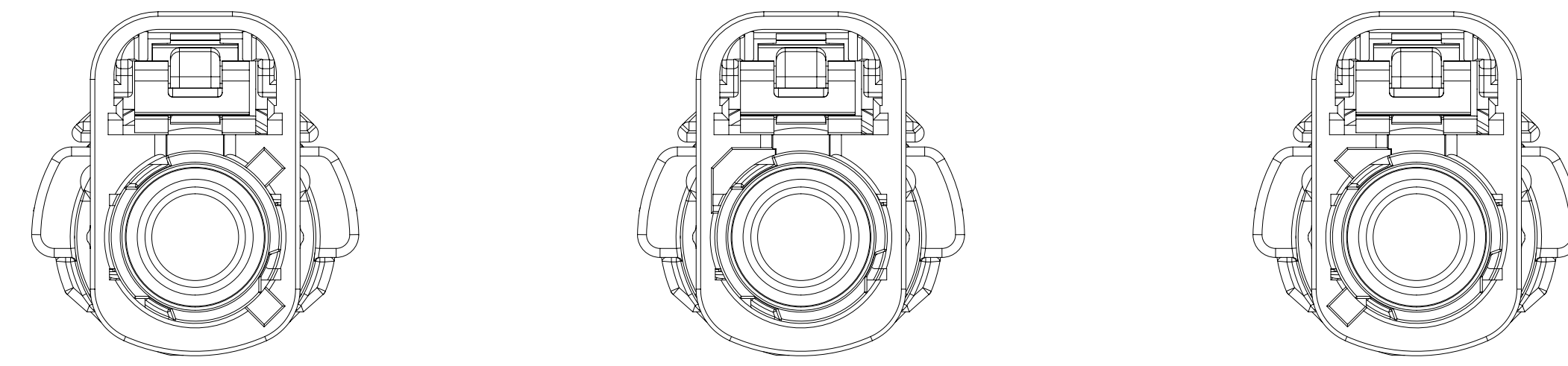
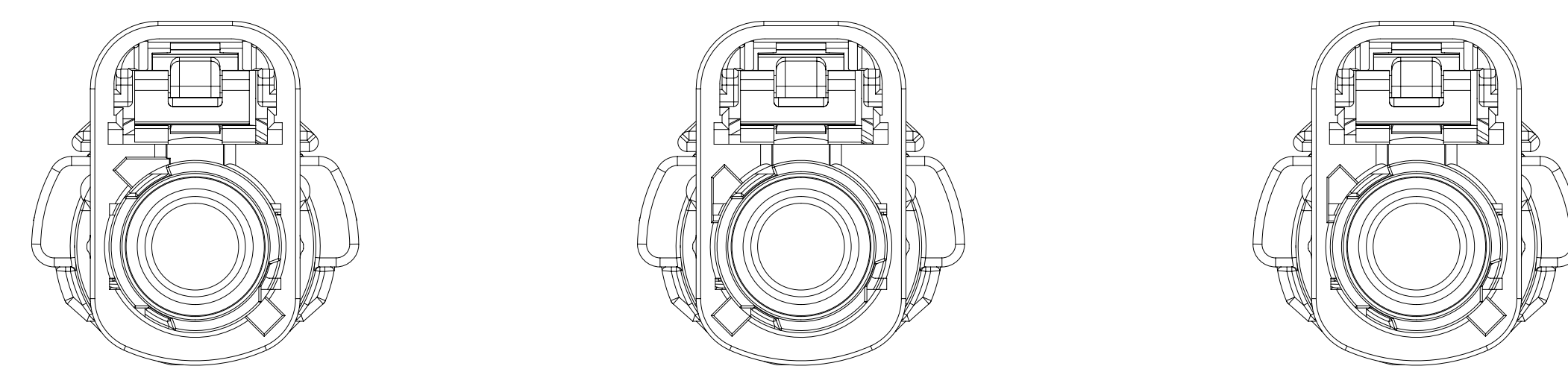


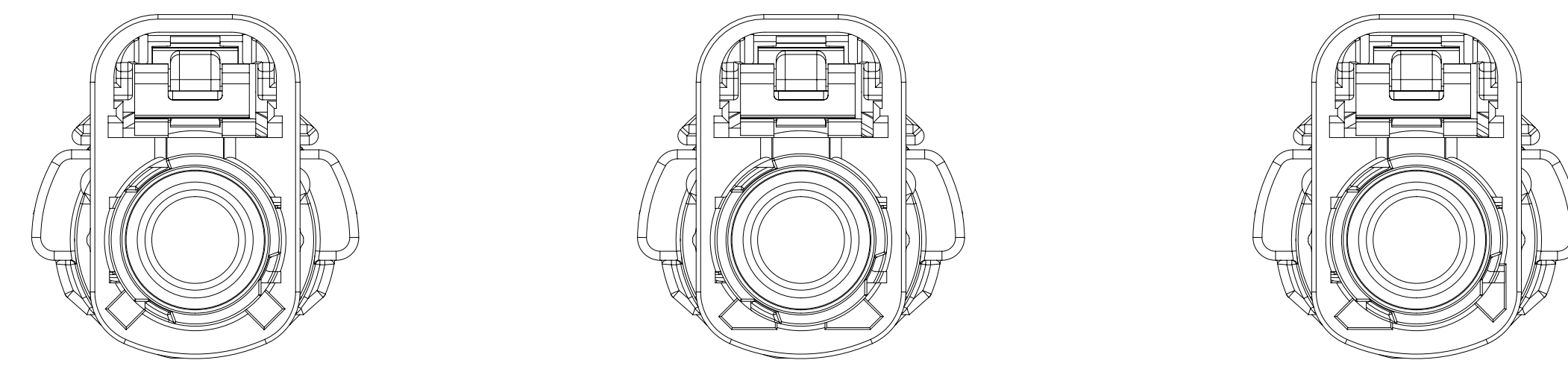
CODE A CODE B CODE C



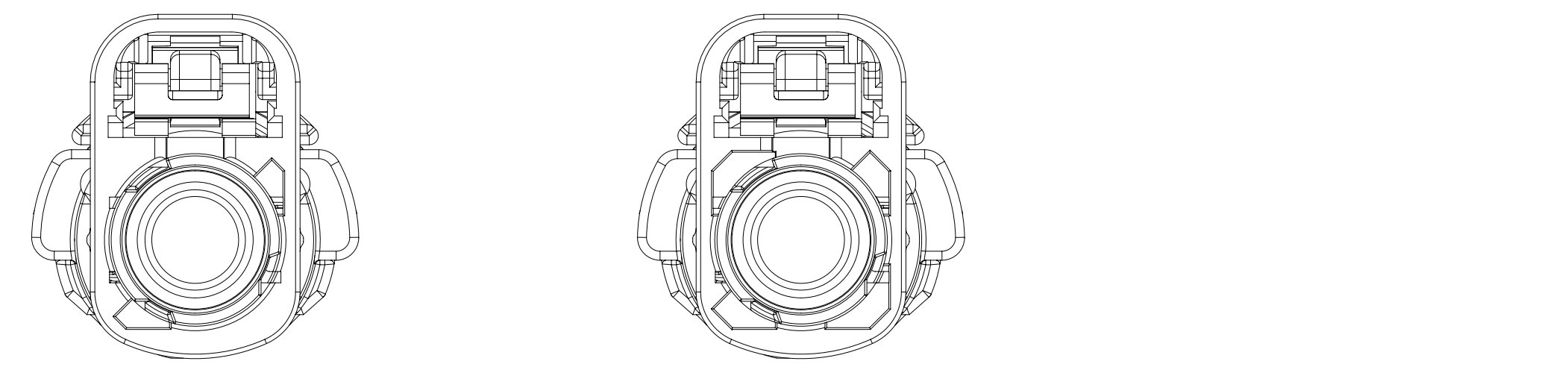
CODE D CODE E CODE F



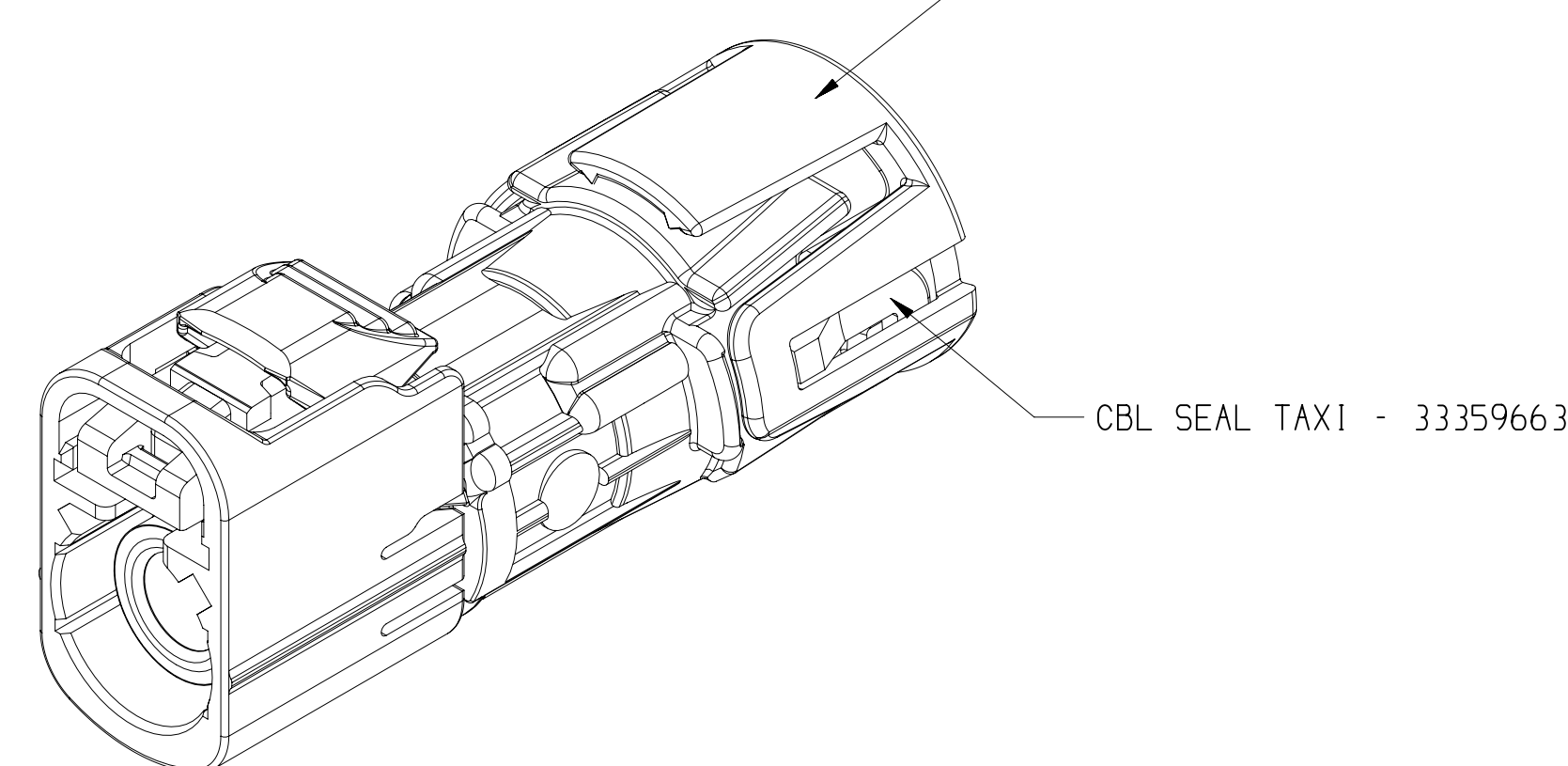
CODE G CODE H CODE I



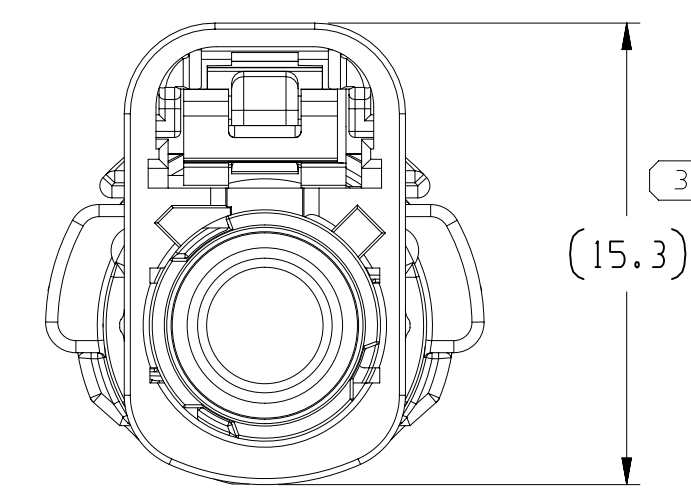
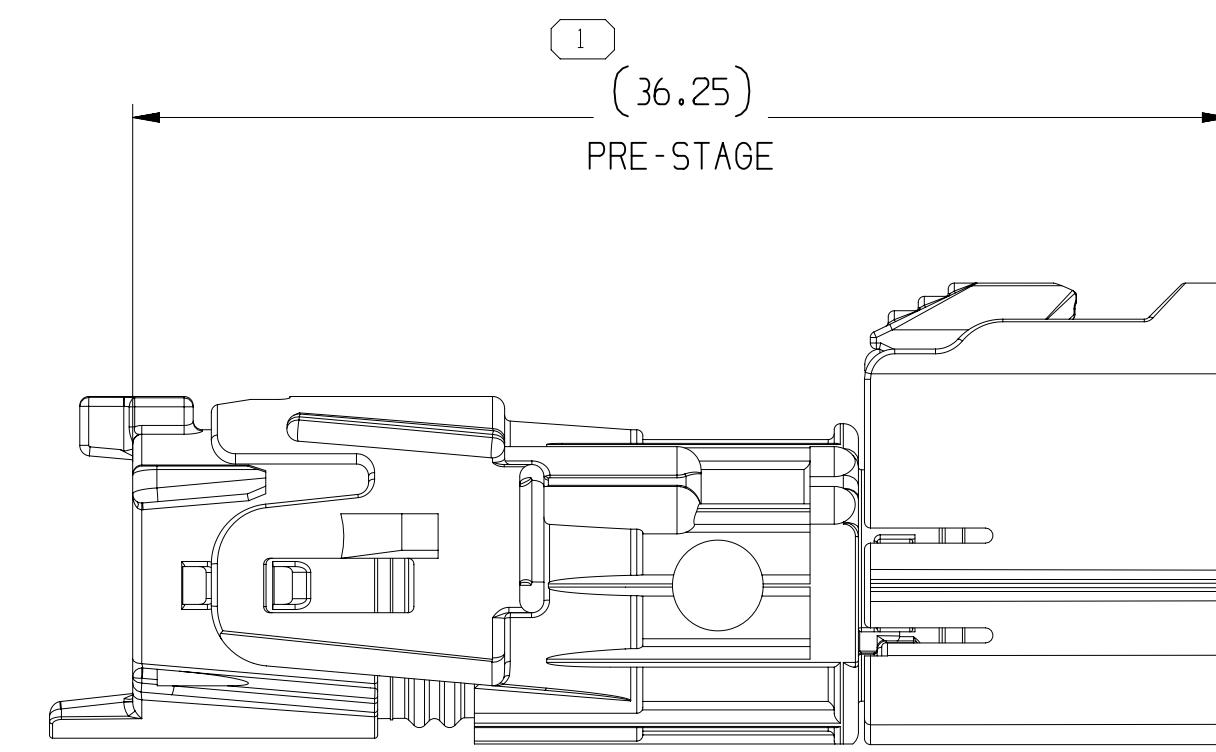
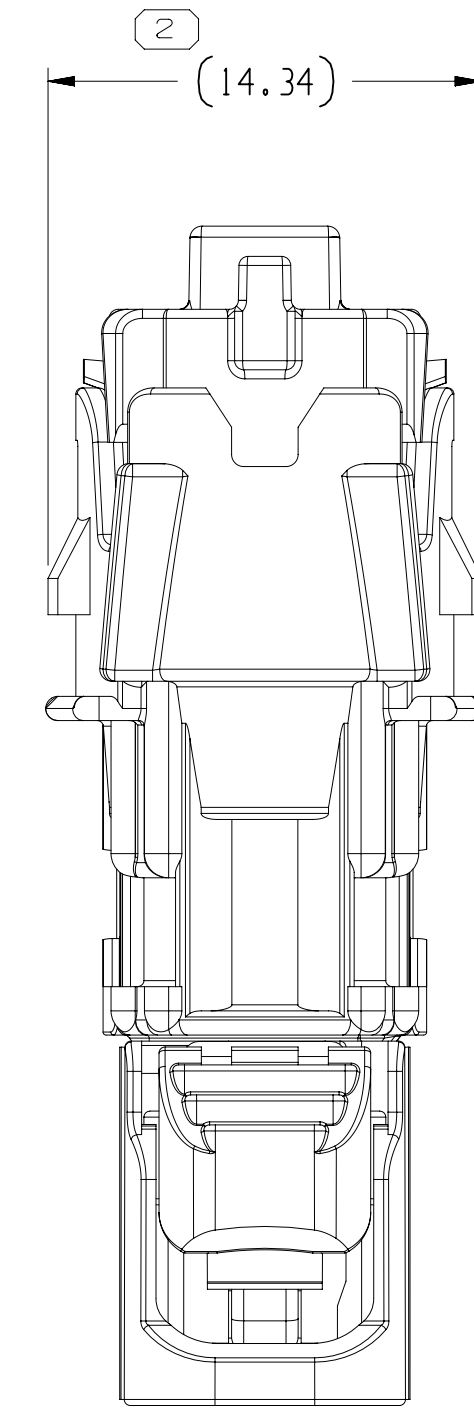
CODE K CODE L CODE M



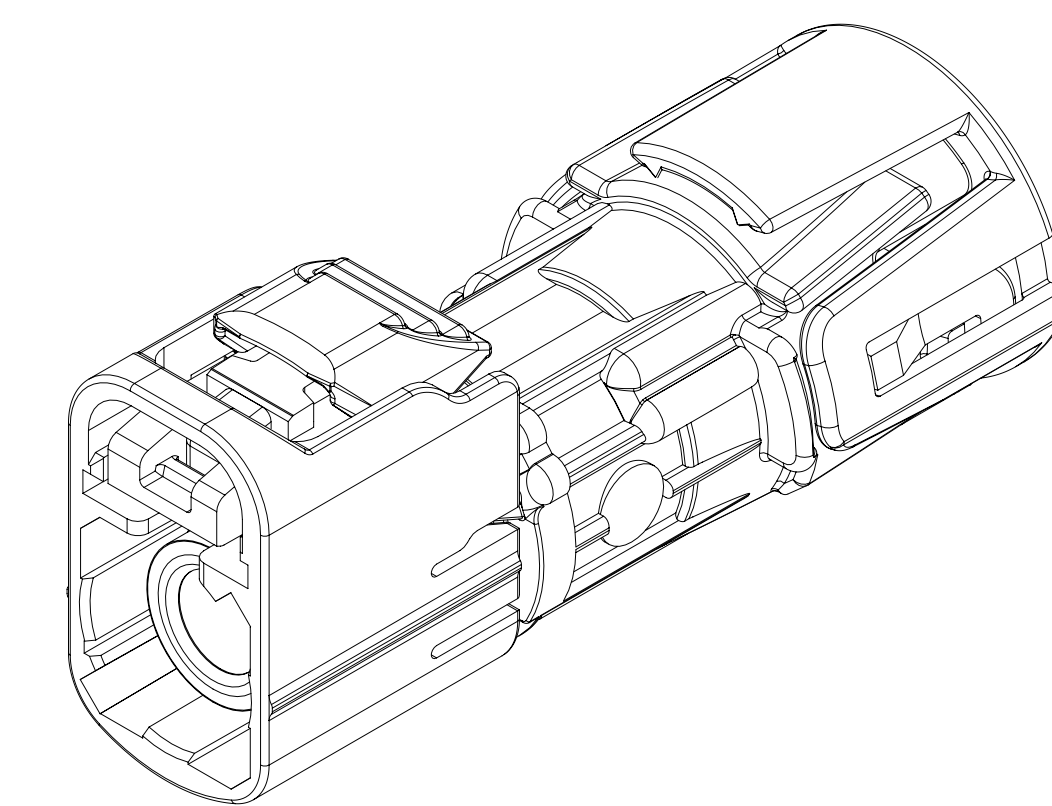
CODE N CODE Z



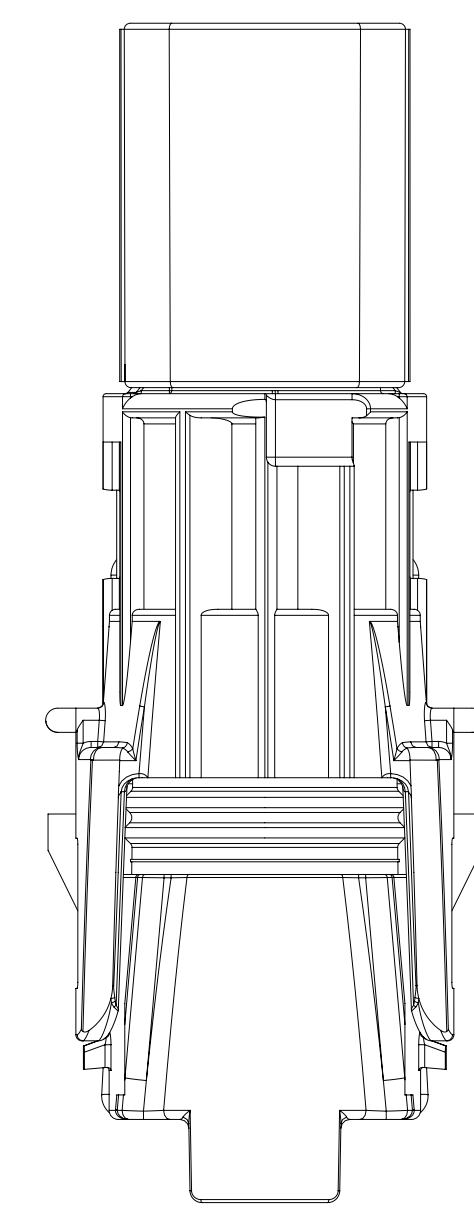
REFERENCE IMAGE OF ASSEMBLY IN FULL STAGE POSITION WITH SEAL RETAINER



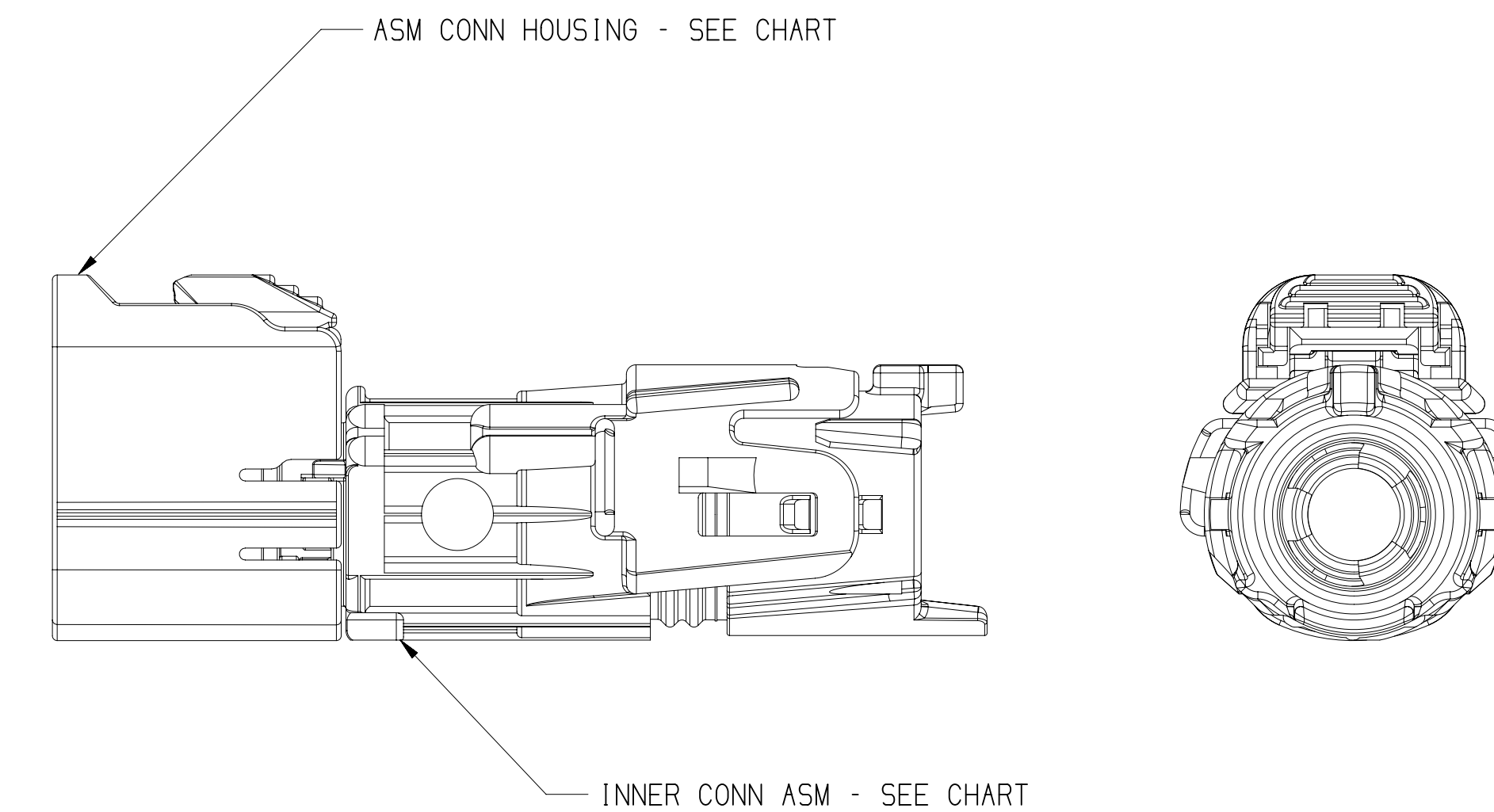
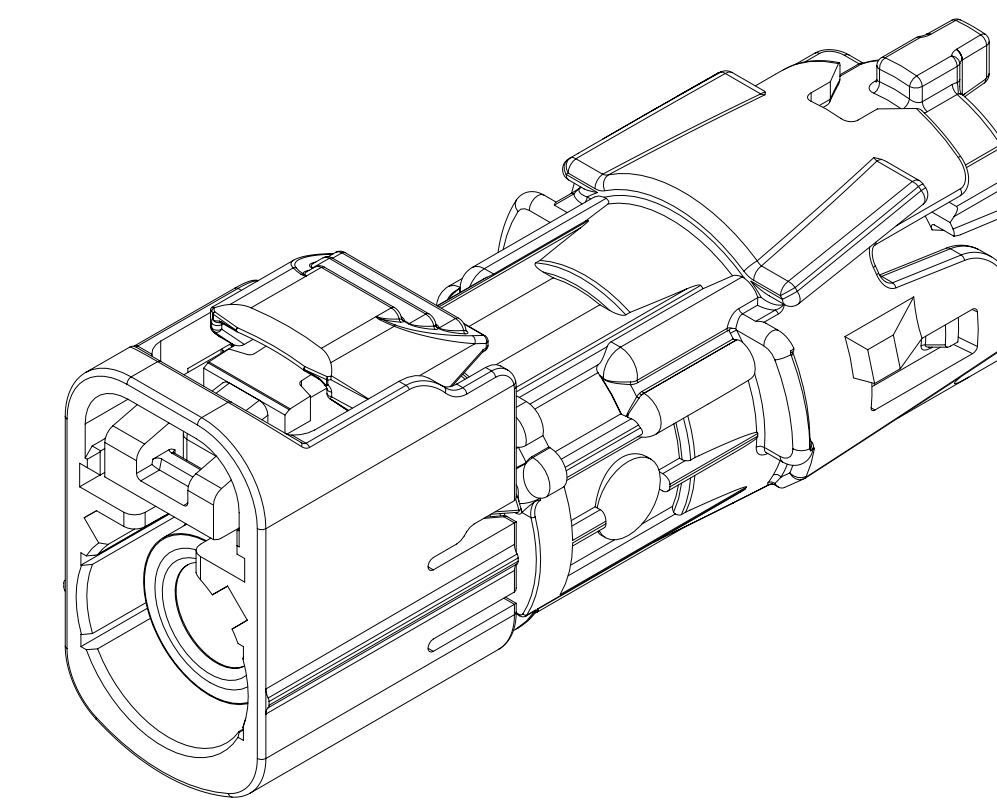
TYPE 101 CODE A



TYPE 102 PLUG - CODE Z FULL STAGE



SYMBOL DEFINITION		TOTAL NO OF INSPECTIONS REQUIRED	MISSING SYMBOLS
A DIMENSION WITHOUT AN INSPECTION REPORT SYMBOL DOES NOT REQUIRE INSPECTION. IT MAY BE CONTROLLED ON THE INDIVIDUAL COMPONENT DRAWING.		3	NO MISSING SYMBOL NUMBER
		LAST NO. USED	3



ASM CONN HOUSING - SEE CHART

INNER CONN ASM - SEE CHART

DATE	STG	REV	N/P	CHG	ZONE	REVISION HISTORY	AUTH	DR	APVD	APVD
22JN16	R	01	-	-	-	RELEASED	433468	TAI	TAI	MDF
050C16	R	02	-	-	-	ALL PARTS - REVISED GRAPHICS; DIM 115.31 WAS 115.61; ADDED SHEET 2 35010701 - RELEASED	433890	JLJ	JLJ	DIW
110C17	R	03	-	-	-	ALL PARTS - UPDATED CONN HOUSING TO LATEST REVISION	437988	AHG	AHG	DIW
07N017	R	04	-	-	-	ALL PARTS - ADDED ASM PNs INSTEAD OF INDIVIDUAL PNs	438284	AHG	AHG	DIW
06AP18	R	05	-	-	-	33338220 - 25, 33338230 - 37 & 35010701 - ADDED COLUMN REPLACED BY: 35187032 - 46 - RELEASED	439453	JTV	JTV	MP
25AP18	R	06	-	-	-	35187032 - 46 - UPDATED ASM HOUSING	439584	JTV	JTV	DIW
070C19	R	07	-	-	-	35399253 - RELEASED	550172	AGC	AGC	RNL
18DE20	R	08	-	-	-	35187032 - UPDATED PART AVAILABILITY	553237	AHY	JAA	RNL
01MR21	R	09	-	-	-	35187033-46 & 35399253 - UPDATED PART AVAILABILITY	553673	LGD	JAA	RNL
03AP24	R	10	-	-	-	ALL PARTS - ADDED "DISENGAGE TPA/ISL" NOTE	563708	JGO	JAA	AGC

PART NO	REV	N/P	TYPE	CODE	ASM CONN HOUSING	INNER CONN ASM	PLUG	RETAINER	REPLACED BY
35399253	01	AB	101	G	35188742	35107506			
35187046	01	AC	102	Z	35188751	35107506	33359662	33358010	
35187045	01	AC	101	Z	35188751	35107506			
35187044	01	AC	101	N	35188750	35107506			
35187043	01	AB	101	M	35188749	35107506			
35187042	01	AC	101	L	35188748	35107506			
35187041	01	AC	101	K	35188747	35107506			
35187040	01	AC	101	I	35188745	35107506			
35187039	01	AC	101	H	35188744	35107506			
35187038	01	AC	101	G	35188742	35107506			
35187037	01	AC	101	F	35188741	35107506			
35187036	01	AC	101	E	35188740	35107506			
35187035	01	AC	101	D	35188738	35107506			
35187034	01	AC	101	C	35188737	35107506			
35187033	01	AC	101	B	35188736	35107506			
35187032	01	AC	101	A	35188735	35107506			
35018701	02	AB	102	Z	33340448	35107506	33359662	33358010	35187046
33338237	03	AB	101	Z	33340448	35107506			35187045
33338236	03	AB	101	N	33340447	35107506			35187044
33338235	03	AB	101	M	33340446	35107506			35187043
33338234	03	AB	101	L	33340445	35107506			35187042
33338233	03	AB	101	K	33340444	35107506			35187041
33338232	03	AB	101	I	33340443	35107506			35187040
33338231	03	AB	101	H	33340442	35107506			35187039
33338230	03	AB	101	G	33340441	35107506			35187038
33338225	03	AB	101	F	33340440	35107506			35187037
33338224	03	AB	101	E	33340439	35107506			35187036
33338223	03	AB	101	D	33340438	35107506			35187035
33338222	03	AB	101	C	33340437	35107506			35187034
33338221	03	AB	101	B	33340436	35107506			35187033
33338220	03	AB	101	A	33340435	35107506			35187032

NOTES

- UNLESS OTHERWISE SPECIFIED AND/OR INDICATED: DIMENSIONS ARE TO FACE OF VIEW SHOWN AND AUTOMATICALLY ROUNDED BY COMPUTER FOR INSPECTION (SEE MATH MODEL FOR PRECISE DIMENSIONS). FOR ALL OTHER DIMENSIONS NOT SHOWN BUT REQUIRED FOR TOOL BUILD, SEE MATH MODEL FOR PRECISE TOOL PATH DATA.
- FOR APPLICATION DATA SEE THE INDIVIDUAL APPLICATION DRAWINGS.
- USCAR 17 SEQ. 1 TPA/ISL DISENGAGE LOCK TO PRE-SET DOESN'T APPLY; SPECIAL TOOL IS REQUIRED TO DISENGAGE TPA/ISL FROM FULL STAGE. REFER TO ASSEMBLY MANUAL 35023110.

DIMENSIONAL RANGE (MM)	TOLERANCE	CHART	ET
FROM 0 TO >0	>0	>30	>70
>0	>0	>70	>100
>0	>0	>100	>150
>0	>0	>150	>200
>0	>0	>200	>250
>0	>0	>250	>300
>0	>0	>300	>400

DATE	STG	REV	N/P	CHG	ZONE	REVISION HISTORY	AUTH	DR	APVD	APVD
22JN16	R	01	-	-	-	RELEASED	433468	TAI	TAI	MDF

**APTIV**  
CONNECTION SYSTEMS  
WARREN, OH  
COPYRIGHT 2016 APTIV. ALL RIGHTS RESERVED.

THIS DRAWING IS THE PROPERTY OF APTIV AND CONTAINS APTIV CONFIDENTIAL INFORMATION. THE REPRODUCTION, DISTRIBUTION AND UTILIZATION OF THIS DOCUMENT OR ITS RELATED CAD DATA, AS WELL AS COMMUNICATION OF ANY CONTENT TO OTHERS, WITHOUT EXPRESS AUTHORIZATION, IS PROHIBITED.

DR	T. ILLER	DATE	22JN16
APVD1	T. ILLER	DATE	22JN16
APVD3	M. DELATORRE	DATE	22JN16
APVD4			
APVD5			

SUBSTANCES OF CONCERN AND RECYCLED CONTENT PER APTIV 10949001

SEE DRAWINGS

DRAWING NAME: TAXI ASM CONN I F FAKRA SLD

DRAWING NUMBER: 33338219

SIZE: A0 SCALE: 5:1 FRAME NO: 1 OF 1 SHEET NO: 1 OF 1 STG: R REV: 10