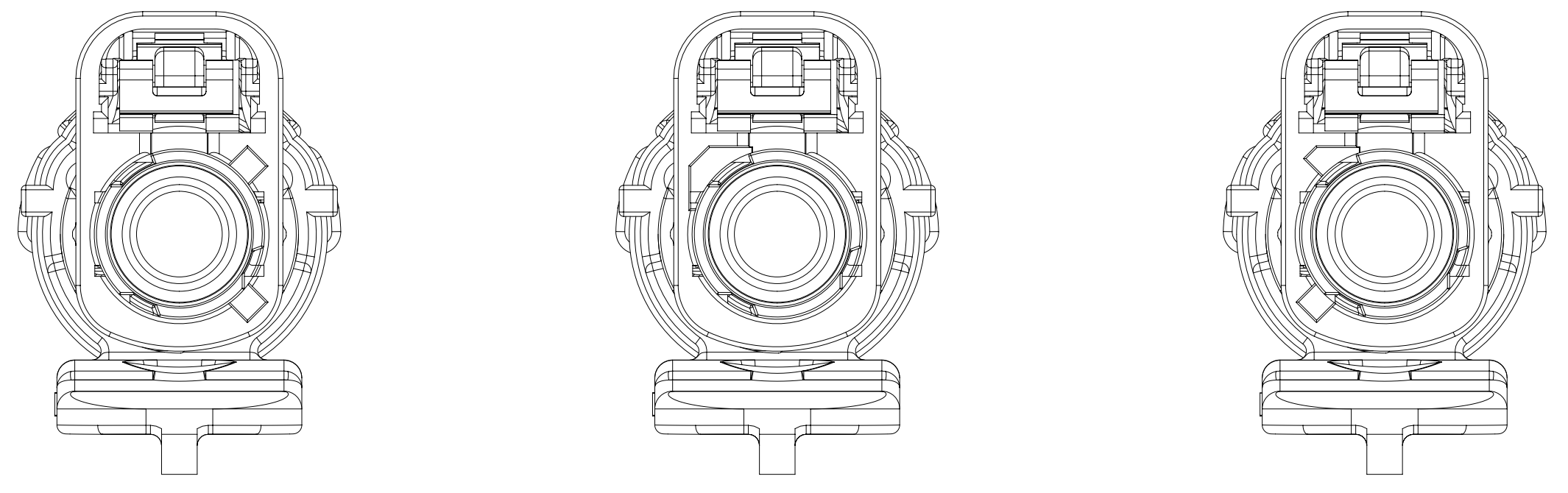
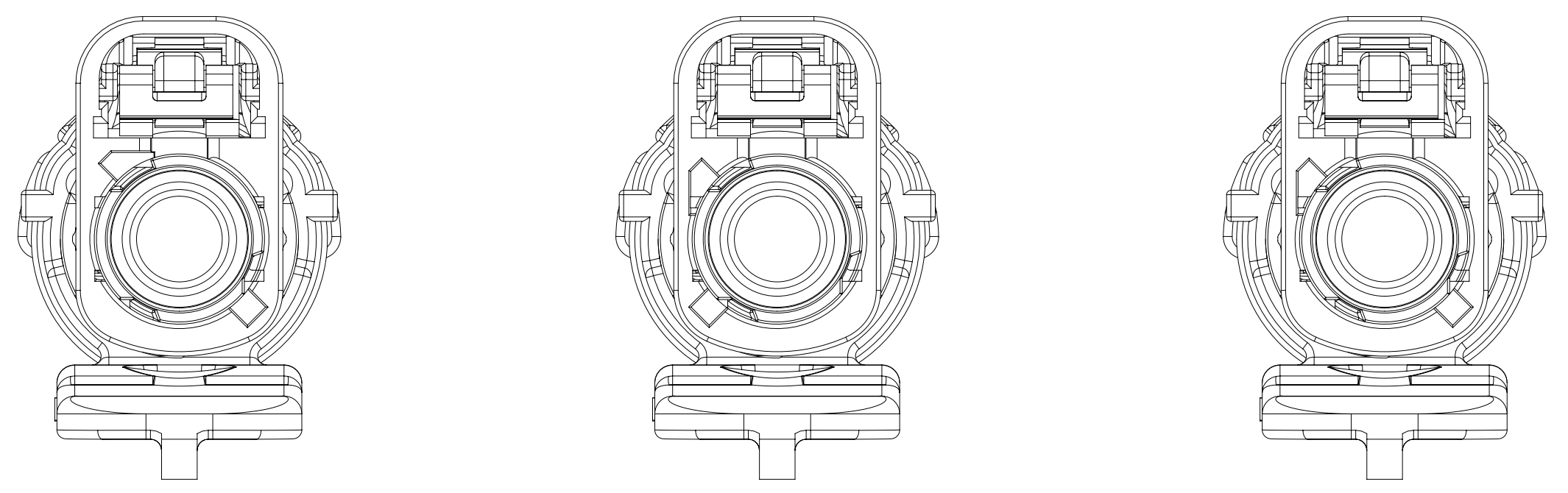


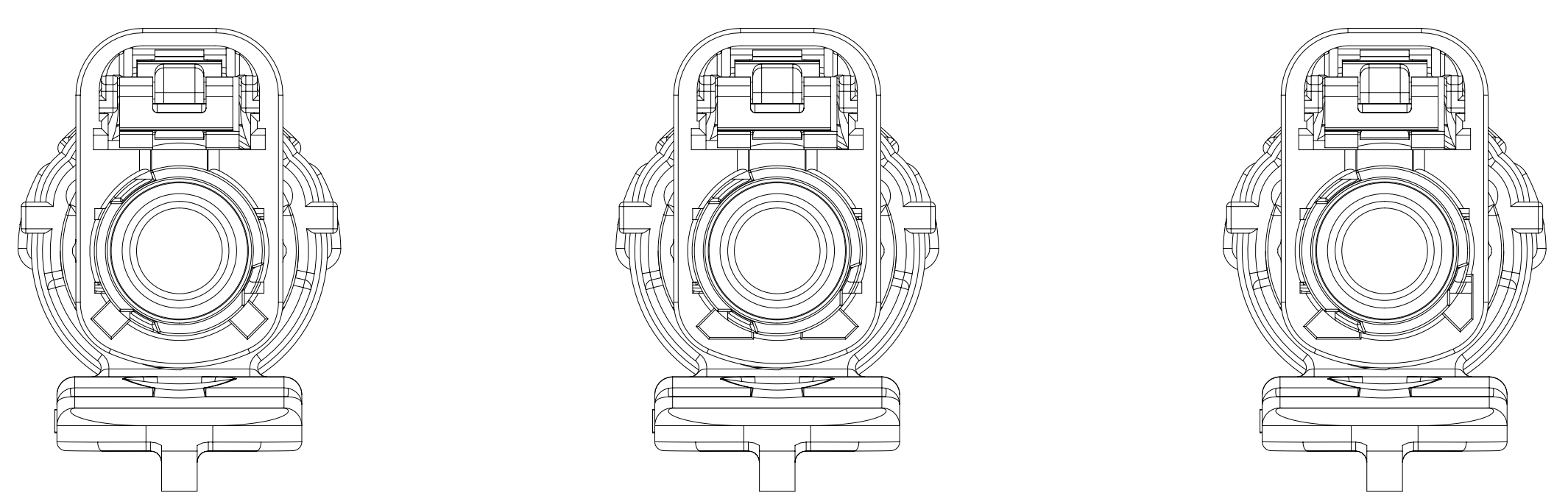
CODE A CODE B CODE C



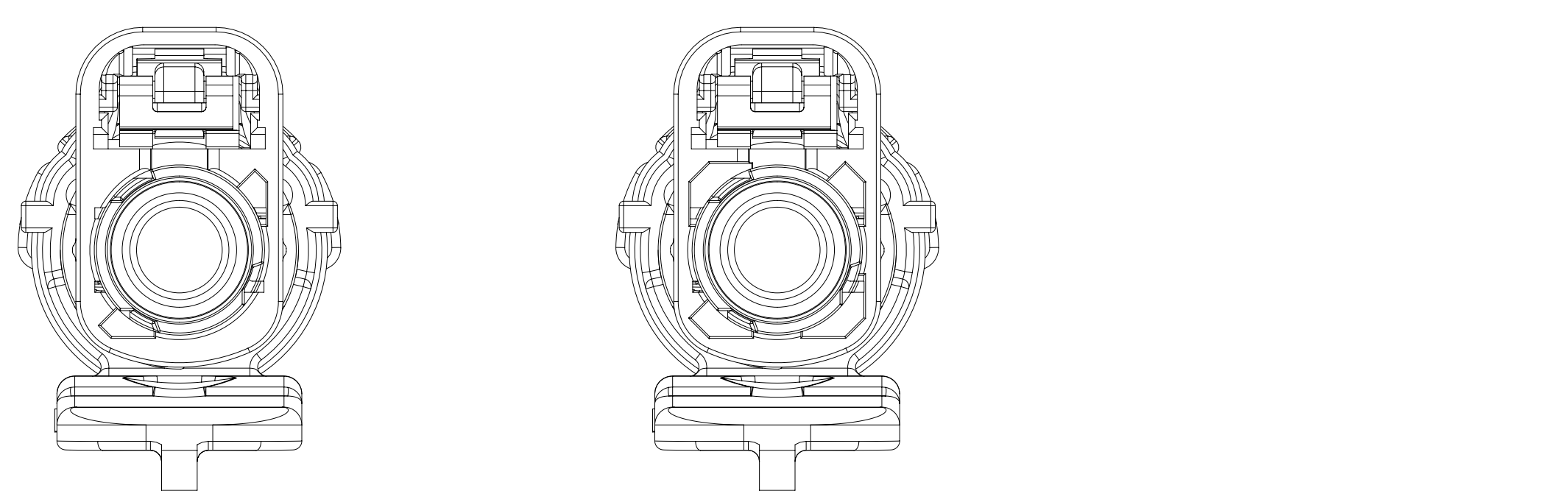
CODE D CODE E CODE F



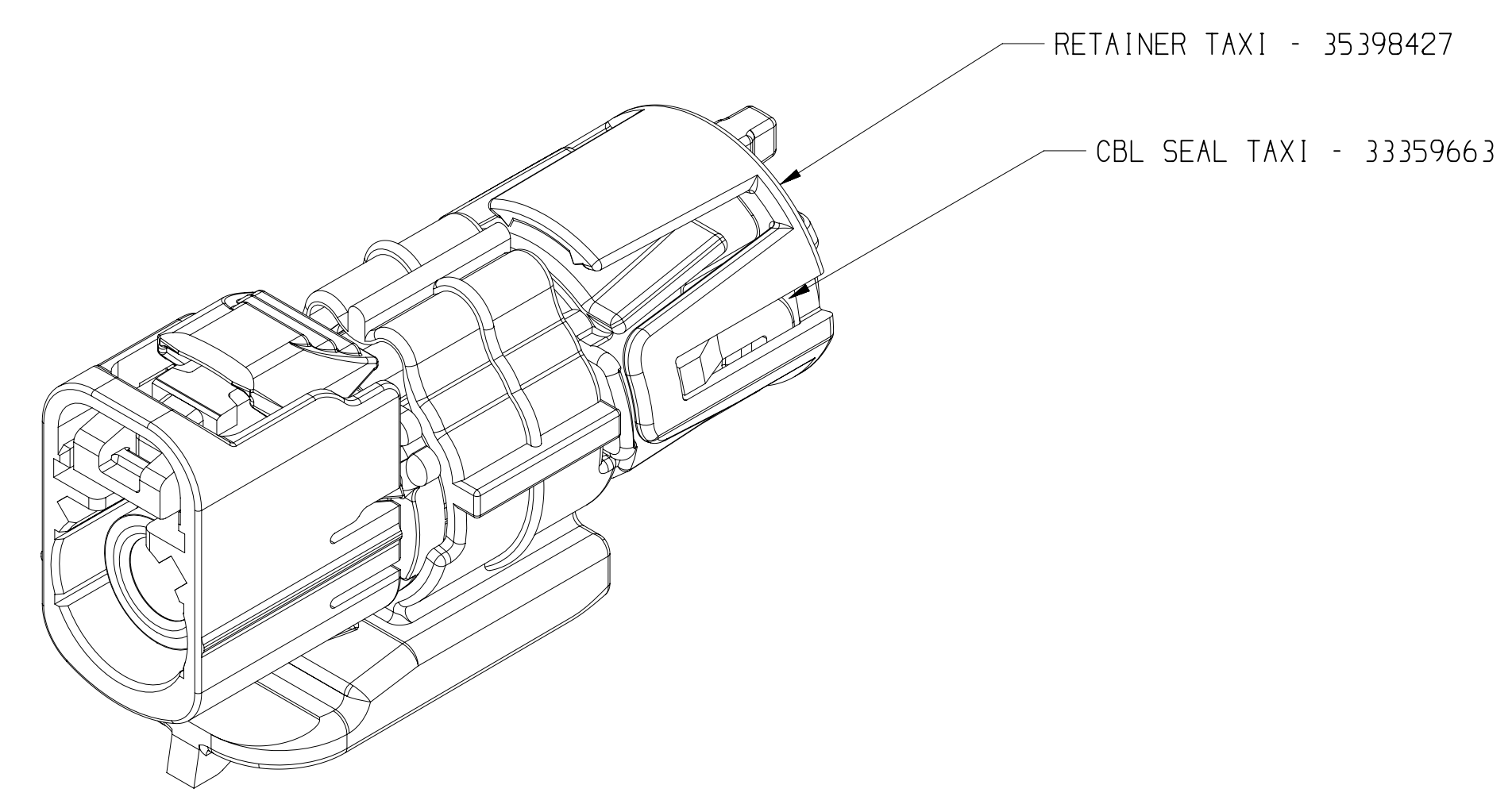
CODE G CODE H CODE I



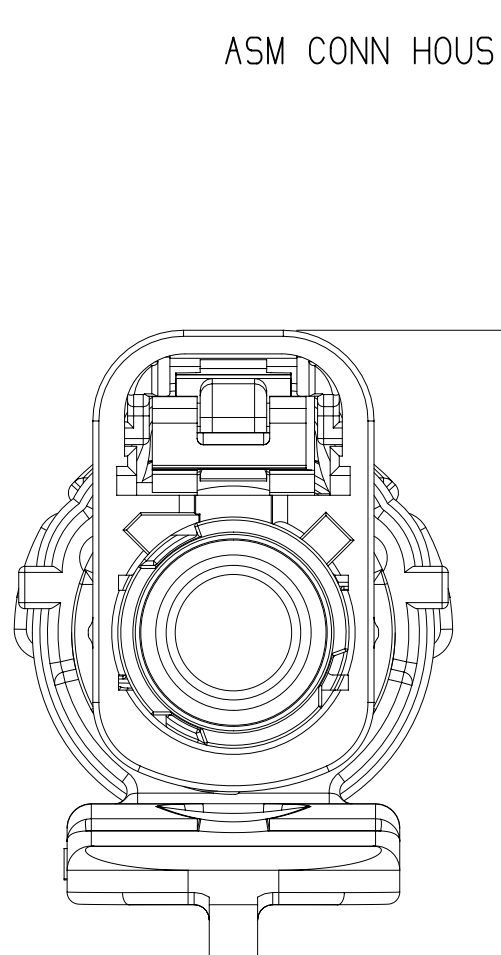
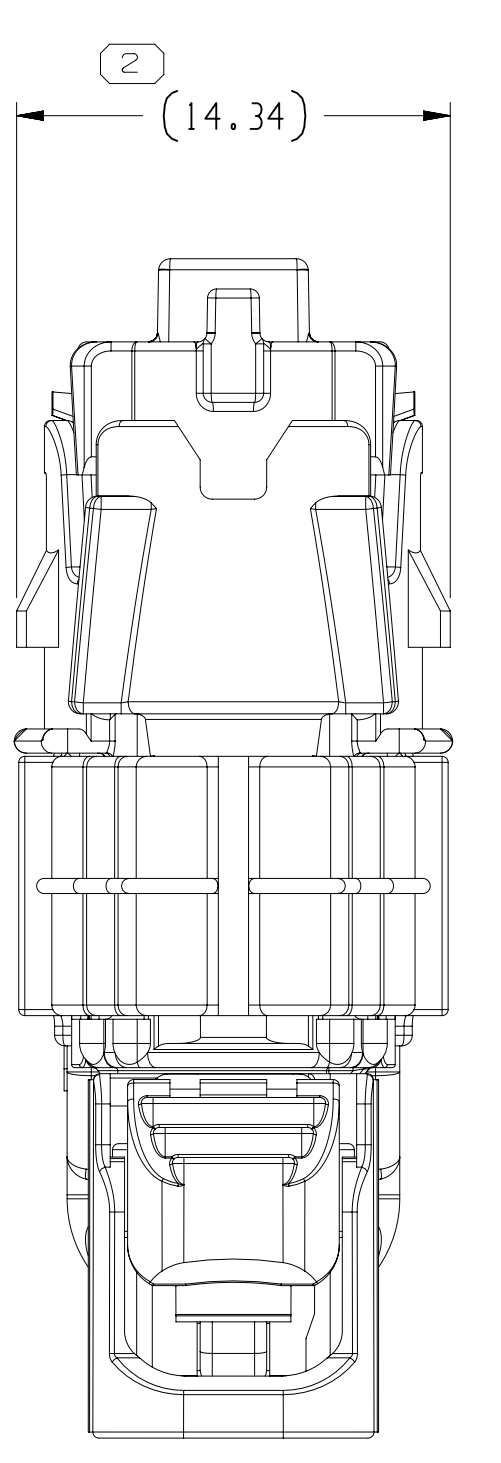
CODE K CODE L CODE M



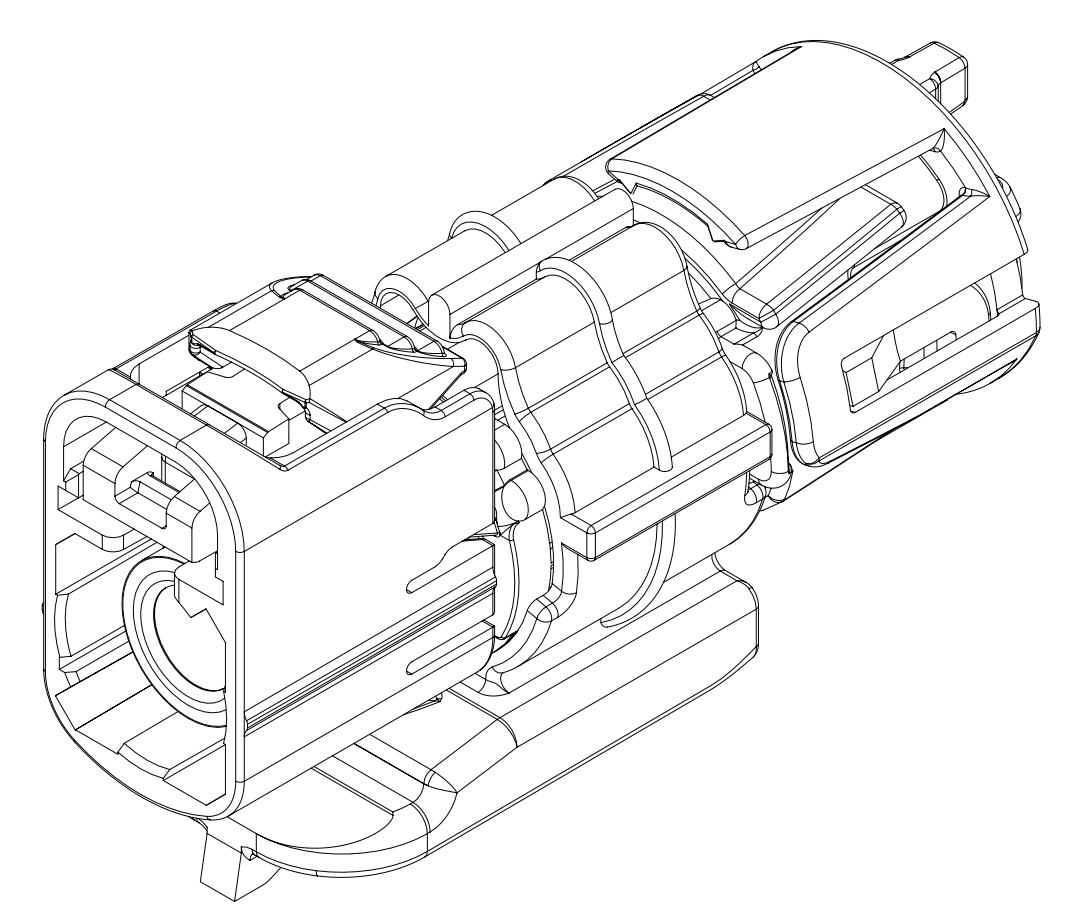
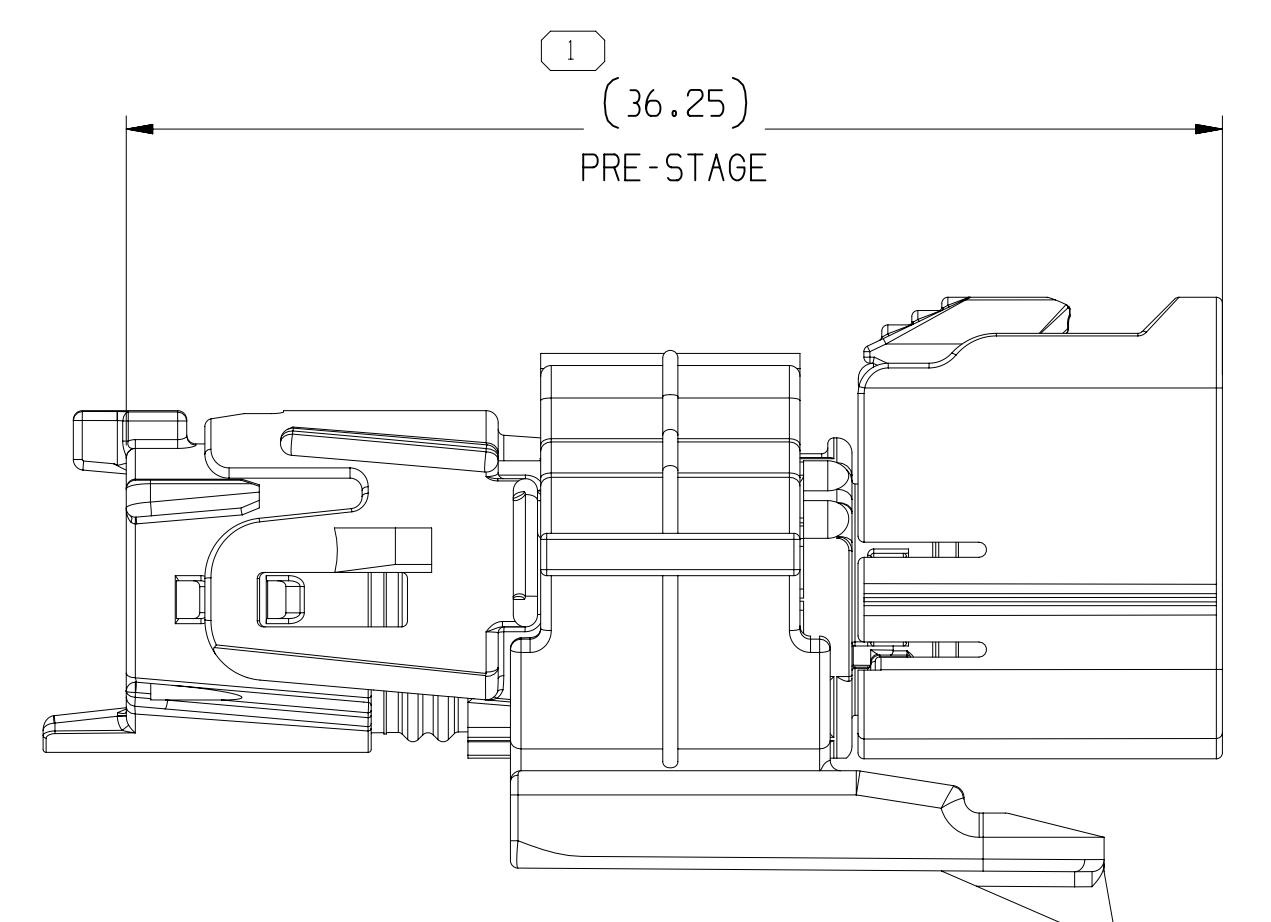
CODE N CODE Z



REFERENCE IMAGE OF ASSEMBLY IN FULL STAGE POSITION WITH SEAL RETAINER



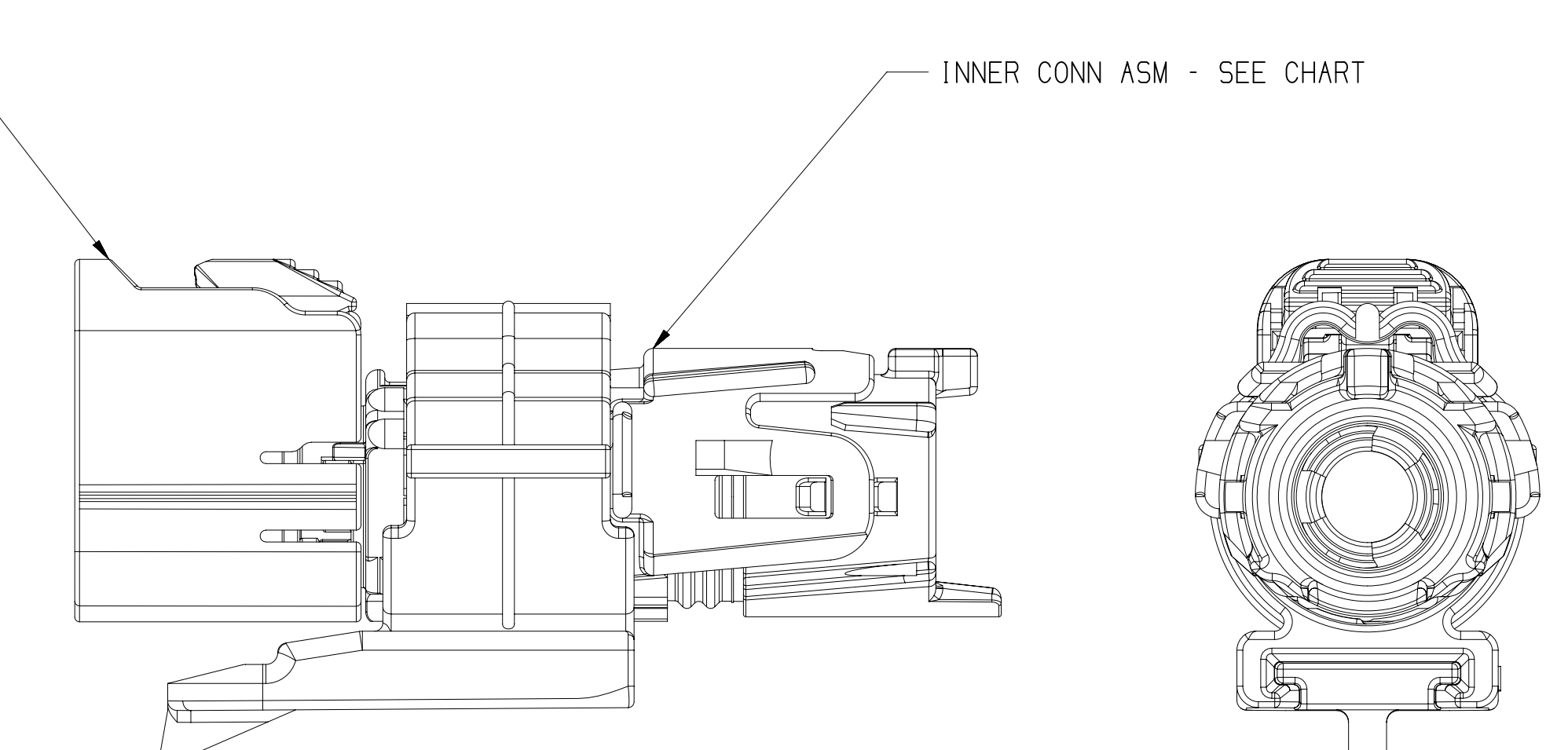
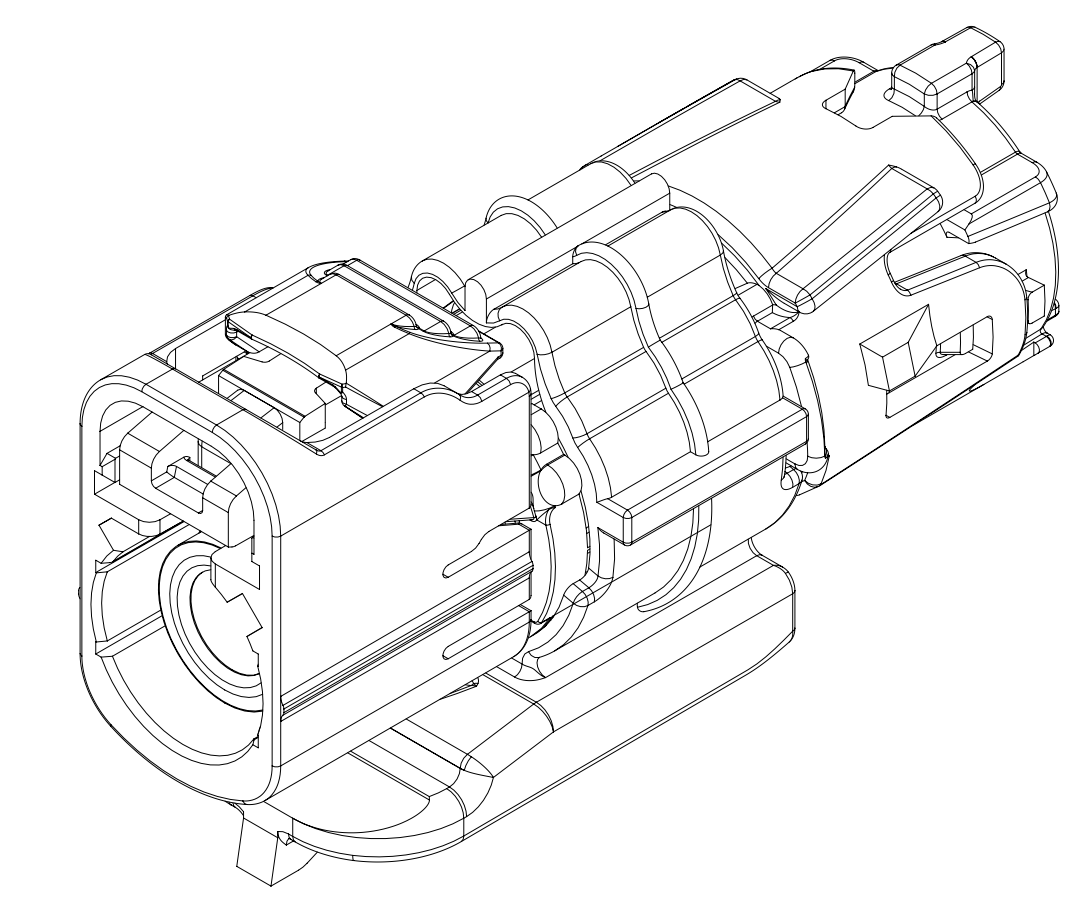
TYPE 101 CODE A



TYPE 102 PLUG - CODE Z FULL STAGE

SYMBOL DEFINITION		TOTAL NO OF INSPECTIONS REQUIRED		MISSING SYMBOLS	
A DIMENSION WITHOUT AN INSPECTION REPORT SYMBOL DOES NOT REQUIRE INSPECTION. IT MAY BE CONTROLLED ON THE INDIVIDUAL COMPONENT DRAWING.			3	NO MISSING SYMBOL NUMBER	
		LAST NO. USED	3		

DWG STATUS		ZONE		REVISION HISTORY		AUTH		DR		APVD	
DATE	STG	REV	N/P	CHG							
22JN16	R	01	-	-	RELEASED			433468	TAI	TAI	MDF
05OC16	R	02	-	-	ALL PARTS - REVISED GRAPHICS; DIM 120.81 WAS 121.161; ADDED SHEET 2 35015223 - RELEASED			433890	JLJ	JLJ	DIW
11OC17	R	03	-	-	ALL PARTS - UPDATED CONN HOUSING TO LATEST REVISION			437988	AHG	AHG	DIW
07N017	R	04	-	-	ALL PARTS - ADDED ASM PNs INSTEAD OF INDIVIDUAL PNs			438384	AHG	AHG	DIW
06AP18	R	05	-	-	33355521-25, 27, 29-36, 33370703 & 35015223 - ADDED COLUMN REPLACED BY: 35187047-62 - RELEASED			439454	KYT	KYT	MP
17AP18	R	06	-	-	35187047-61 - UPDATED ASM CONN HOUSING			439585	KYT	DIW	DIW
07OC19	R	07	-	-	35399254 - RELEASED			550172	AGC	AGC	RNL
24FE20	R	08	-	-	35015223 & 35187062 - MOVED TO SHT 2			551090	LGD	JAA	RNL
18DE20	R	09	-	-	35187049 - UPDATD PART AVAILABILITY			553237	AHY	JAA	RNL
01MR21	R	10	-	-	35187047-48, 35187050-61 & 35399254 - UPDATED PART AVAILABILITY			553673	LGD	JAA	RNL
03AP24	R	11	-	-	ALL PARTS - ADDED "DISENGAGE TPA/ISL" NOTE			561437	JGO	JAA	AGC



PART NO	REV	N/P	TYPE	CODE	ASM CONN HOUSING	INNER CONN ASM	PLUG	RETAINER	REPLACED BY
35399254	01	AB	101	G	35188742	35107507			
35187061	01	AC	102	Z	35188751	35107507	33359662	33358010	
35187060	01	AC	101	Z	35188751	35107507			
35187059	01	AC	101	N	35188750	35107507			
35187058	01	AC	101	M	35188749	35107507			
35187057	01	AC	101	L	35188748	35107507			
35187056	01	AC	101	K	35188747	35107507			
35187055	01	AC	101	I	35188745	35107507			
35187054	01	AC	101	H	35188744	35107507			
35187053	01	AC	101	G	35188742	35107507			
35187052	01	AC	101	F	35188741	35107507			
35187051	01	AC	101	E	35188740	35107507			
35187050	01	AC	101	D	35188738	35107507			
35187049	01	AC	101	C	35188737	35107507			
35187048	01	AC	101	B	35188736	35107507			
35187047	01	AC	101	A	35188735	35107507			
33379703	03	AC	102	Z	33340448	35107507	33359662	33358010	35187061
33355536	03	AC	101	Z	33340448	35107507			35187060
33355535	03	AC	101	N	33340447	35107507			35187059
33355534	03	AC	101	M	33340446	35107507			35187058
33355533	03	AC	101	L	33340445	35107507			35187057
33355532	03	AC	101	K	33340444	35107507			35187056
33355531	03	AC	101	I	33340443	35107507			35187055
33355530	03	AC	101	H	33340442	35107507			35187054
33355529	03	AC	101	G	33340441	35107507			35187053
33355527	03	AC	101	F	33340440	35107507			35187052
33355525	03	AC	101	E	33340439	35107507			35187051
33355524	03	AC	101	D	33340438	35107507			35187050
33355523	03	AC	101	C	33340437	35107507			35187049
33355522	03	AC	101	B	33340436	35107507			35187048
33355521	03	AC	101	A	33340435	35107507			35187047

- NOTES
- UNLESS OTHERWISE SPECIFIED AND/OR INDICATED: DIMENSIONS ARE TO FACE OF VIEW SHOWN AND AUTOMATICALLY ROUNDED BY COMPUTER FOR INSPECTION (SEE MATH MODEL FOR PRECISE DIMENSIONS). FOR ALL OTHER DIMENSIONS NOT SHOWN BUT REQUIRED FOR TOOL BUILD, SEE MATH MODEL FOR PRECISE TOOL PATH DATA.
 - FOR APPLICATION DATA SEE THE INDIVIDUAL APPLICATION DRAWINGS.
 - USCAR 17 SEQ. 1 TPA/ISL DISENGAGE LOCK TO PRE-SET DOESN'T APPLY: SPECIAL TOOL IS REQUIRED TO DISENGAGE TPA/ISL FROM FULL STAGE. REFER TO ASSEMBLY MANUAL 35023110.

DIMENSIONAL RANGE (MM)	TOLERANCE	CHART	ET
FROM 0 TO >0	>0	>30	>70
>0	>20	>70	>100
>0	>15	>100	>150
>0	>10	>150	>200
>0	>7	>200	>250
>0	>5	>250	>300
>0	>3	>300	>400
>0	>2	>400	>500
>0	>1.5	>500	>600
>0	>1	>600	>700
>0	>0.7	>700	>800
>0	>0.5	>800	>900
>0	>0.3	>900	>1000
>0	>0.2	>1000	>1200
>0	>0.1	>1200	>1500
>0	>0.07	>1500	>2000
>0	>0.05	>2000	>2500
>0	>0.03	>2500	>3000
>0	>0.02	>3000	>4000
>0	>0.01	>4000	>5000
>0	>0.007	>5000	>6000
>0	>0.005	>6000	>7000
>0	>0.003	>7000	>8000
>0	>0.002	>8000	>9000
>0	>0.001	>9000	>10000

APTIV
CONNECTION SYSTEMS
WARREN, OH
COPYRIGHT 2016 APTIV. ALL RIGHTS RESERVED.

THIS DRAWING IS THE PROPERTY OF APTIV AND CONTAINS APTIV CONFIDENTIAL INFORMATION. THE REPRODUCTION, DISTRIBUTION AND UTILIZATION OF THIS DOCUMENT OR ITS RELATED CAD DATA, AS WELL AS COMMUNICATION OF ANY CONTENT TO OTHERS, WITHOUT EXPRESS AUTHORIZATION, IS PROHIBITED.

DATE: 22JN16
APVD1: T. ILLER
APVD2: T. ILLER
APVD3: M. DELATORRE
APVD4: M. DELATORRE

UNLESS OTHERWISE SPECIFIED
THIS DOCUMENT IS IN ACCORDANCE WITH ASME Y14.5M-1994 AS MODIFIED BY THE 2018 GLOBAL DIMENSIONING AND TOLERANCING ADDENDUM-2009. SEPARATE PATTERNING OF FEATURES MAY BE MADE SEPARATELY, REGARDLESS OF DATUM REFERENCES.

ALL DIMENSIONS ARE IN MILLIMETERS

THIRD ANGLE PROJECTION
DO NOT SCALE
USE MATH DATA

DRAWING NAME: TAXI ASM CONN I F FAKRA
DRAWING NUMBER: 33355520
SIZE: A0
SCALE: 5:1
FRAME NO: 1 OF 1
SHEET NO: 1 OF 1
STG REV: R 11