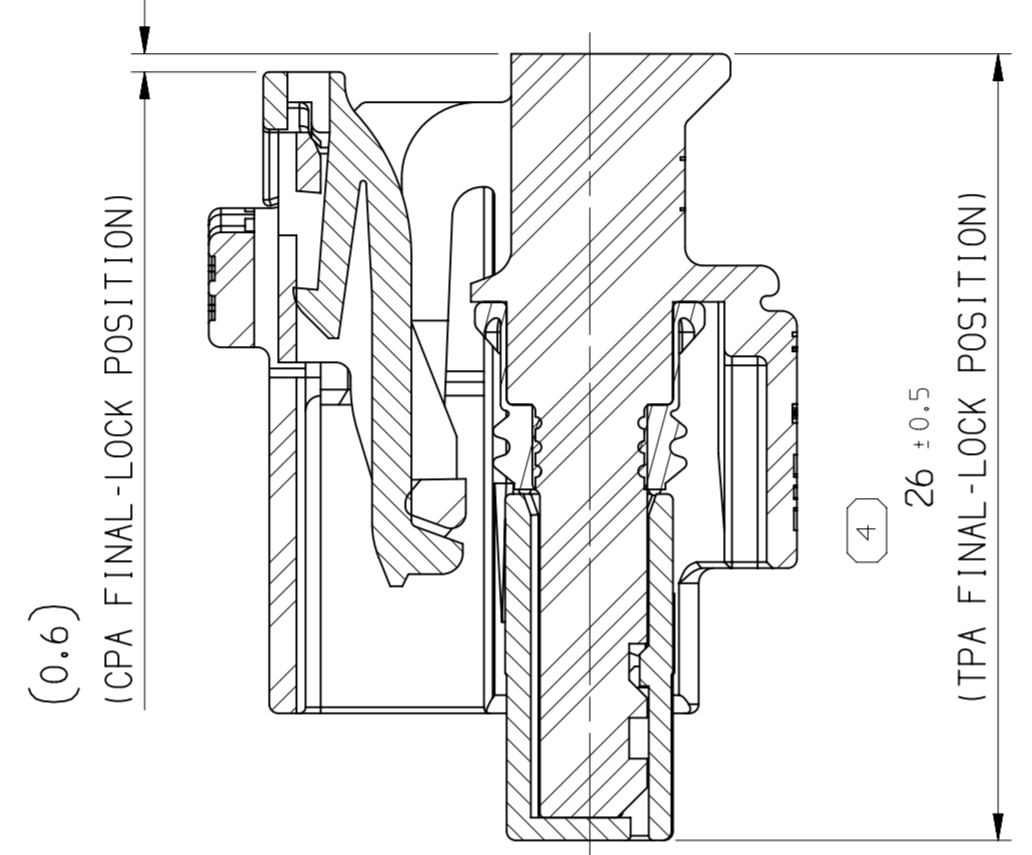
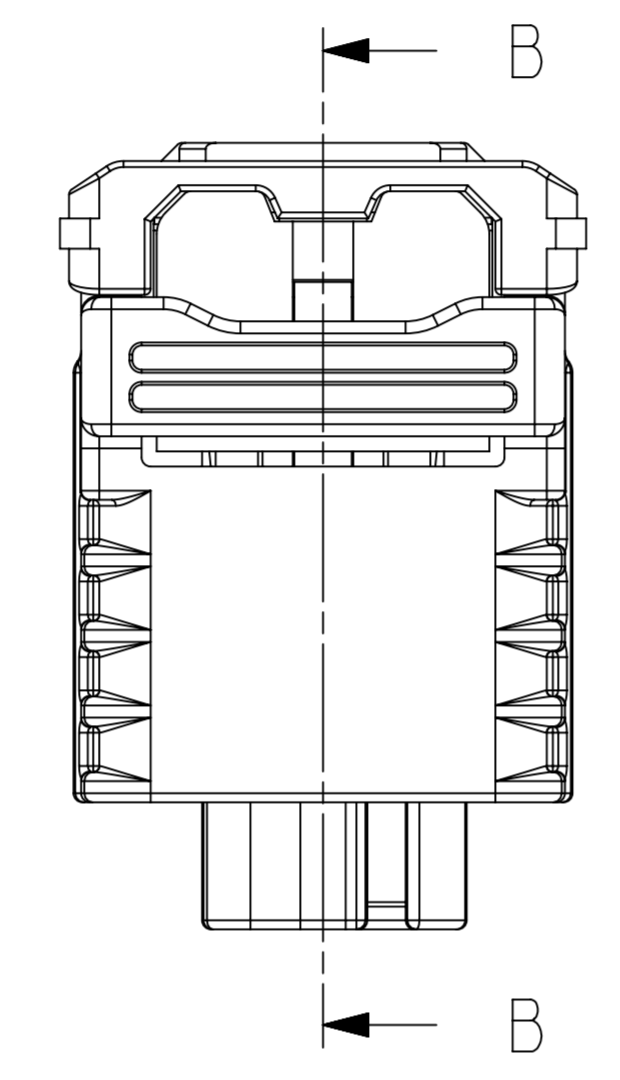
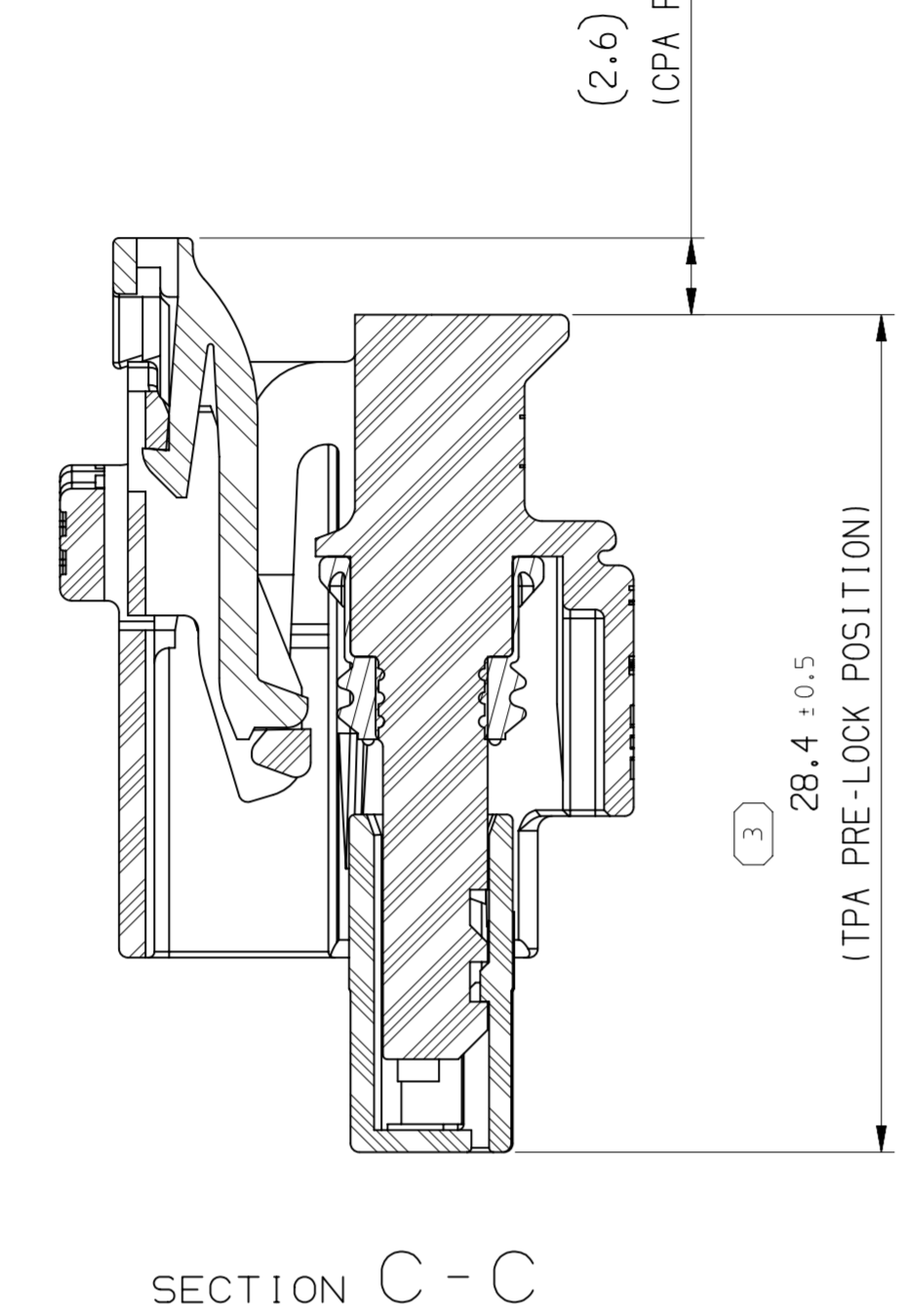


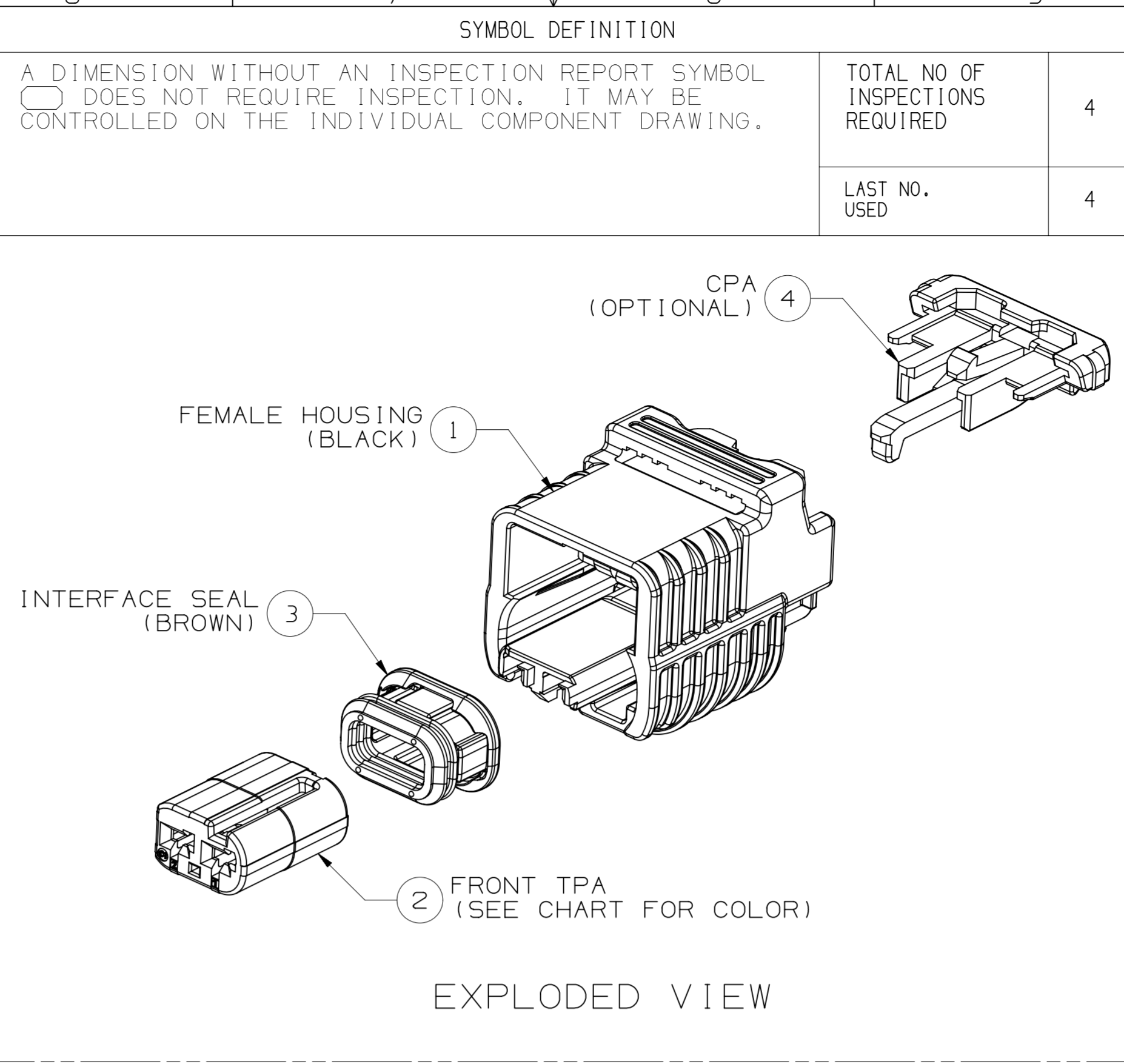
TYPE	ASSEMBLY	CODING TYPE	HOUSING (BLACK)	TPA		INTERFACE SEAL	CPA (GRAY)
				P/N/O	COLOR		
WITH CPA	35259417	A	35259428	35259429	ROYAL BLUE	35259433	33219398
	35259418	B		35259430	BROWN		
	35259419	C		35259431	LT GRAY		
WITHOUT CPA	35259421	A	35259429	ROYAL BLUE	35259433	-	
	35259422	B	35259430	BROWN			
	35259423	C	35259431	LT GRAY			

REP.	QTY	DESCRIPTION	MATERIAL	COLOR	PART NUMBER
4	1	FEMALE CPA	PA66 GF35%	GRAY	33219398
3	1	INTERFACE SEAL	SILICONE RUBBER	BROWN	35259433
2	1	TPA CODE A	PA9T GF30%	ROYAL BLUE	35259429
1	1	FEMALE HOUSING	PA9T GF30%	BLACK	35259428



CPA & TPA IN PRE-LOCK POSITION

CPA & TPA IN FINAL POSITION



ISOMETRIC VIEW		CODE A (SCALE 2:1)	CODE A (SCALE 2:1)
OPTION		WITH CPA	WITHOUT CPA (IF REQUIRED)
DELPHI	PART NUMBER	35259417	35259421

CALBE SEAL					
PART NUMBER	WIRE SIZE (mm ²)	INSULATION (Ø)	COLOR	MATERIAL	REMARKS
33318278	0.3 ~ 0.35	1.2 ~ 1.6	GRAY	SILICONE RUBBER	
33318279	0.5 ~ 0.85	1.6 ~ 1.9	LIGHT GRAY		
33318275	1.0 ~ 1.5	1.9 ~ 2.4	BLACK	SILICONE RUBBER	HIGH TEMPERATURE
35269088	0.3 ~ 0.35	1.2 ~ 1.6	BROWN		
35269087	0.5 ~ 0.85	1.6 ~ 1.9	BLUE		
35269086	1.0 ~ 1.5	1.9 ~ 2.4	GREEN		

- NOTES:
- TOLERANCE MUST MEET DIN ISO 2768(m)
 - TEST SPECIFICATION PER HKMC : ES91500-00
 - ALLOWED WIRE RANGE : 0.3mm² TO 1.25mm² (JASO WIRE)
 - APPLICABLE TERMINAL: APEX1.2 FEMALE TERMINAL
 - ACCORDING TO USCAR, CODING D TYPE WAS NOT AVAILABLE.

DIN ISO 2768		Tolerance Class Fine (m)						
Linear Dimensions except for broken edges	Permissible deviations for basic size range (mm)	0.5 *	over 3	over 6	over 30	over 120	over 400	over 1000
		up to 3	up to 6	up to 30	up to 120	up to 400	up to 1000	up to 2000
Broken edges (radii, chamfers)	Permissible deviations for basic size range (mm)	±0.1	±0.1	±0.2	±0.3	±0.5	±0.8	±1.2
		0.5 *	up to 3	over 3	up to 6	over 3	up to 6	over 6
Angular dimensions	Permissible deviations for ranges of lengths, in mm, of the shorter side of the angle concerned	±1°	±0° 30'	±0° 20'	±0° 10'	±0° 5'		
		up to 10	over 10 up to 50	over 50 up to 120	over 120 up to 400	over 400		

* For nominal sizes below 0.5mm, the deviations shall be indicated adjacent to the relevant nominal size(s).

DRAWING NUMBER					
35259435					
SIZE	SCALE	FRAME NO	SHEET NO	REV	N/P
A2x3	4:1	2 OF 1	1 OF 1	R 02	-

ASSOCIATED PARTS				
FEMALE TERMINAL	PART NUMBER	WIRE SIZE (mm ²)	TYP (AWG)	
TIN	54001864	0.75 ~ 1.25	16	
	54002006	0.3 ~ 0.5	20	
SILVER STRIPE, SPOT	F731400	0.75 ~ 1.25	16	
	F931400	0.3 ~ 0.5	20	
GOLD STRIPE, SPOT	54001863	0.75 ~ 1.25	16	
	54002005	0.3 ~ 0.5	20	
TIN SILVER	54001866	0.75 ~ 1.25	16	
	54002007	0.3 ~ 0.5	20	

DIM TO CHECK		DIMENSIONAL RANGE (MM)		TOLERANCE	
FROM	TO	>0	>20	±0.1	±0.2
10	20	20	30	±0.1	±0.2
30	70	30	100	±0.1	±0.2
70	100	100	150	±0.1	±0.2
150	200	150	250	±0.1	±0.2
200	250	250	300	±0.1	±0.2
300	400	300	400	±0.1	±0.2

DIN TYP PART DRAWING	
WEIGHT (GR)	DISTR CODE
VOLUME (CM ³)	
ROUTING	
UNLESS OTHERWISE SPECIFIED	
GENERAL TOLERANCES ACCORDING TO: SEE CHART	
GD&T ACCORDING TO: ASME Y14.5-2009	
ALL DIMENSIONS ARE IN MILLIMETERS	
REFERENCE	
THIRD ANGLE PROJECTION	
DO NOT SCALE	
USE MATH DATA	

• APTIV •						
CONNECTION SYSTEMS						
Copyright © 2018 APTIV. All rights reserved.						
THIS DRAWING IS THE PROPERTY OF APTIV AND CONTAINS APTIV CONFIDENTIAL INFORMATION. THE REPRODUCTION, DISTRIBUTION AND UTILIZATION OF THIS DOCUMENT OR ITS RELATED CAD DATA, AS WELL AS COMMUNICATION OF ANY CONTENT TO OTHERS, WITHOUT EXPRESS AUTHORIZATION, IS PROHIBITED.						
DR	SUNG, YUN-KYU 010C18					
APVD1	SUNG, YUN-KYU 010C18					
APVD2	SEO, JU-WON 010C18					
APVD3	PARK, JOO HYUN 010C18					
APVD4						
APVD5						
SUBSTANCES OF CONCERN AND RECYCLED CONTENT PER APTIV (094900)						
MATERIAL: SEE NOTES						
DRAWING NAME: TAXI CONN 2 F APEX 1.2 SLD MODULAR						
DRAWING NUMBER: 35259435						
SIZE	SCALE	FRAME NO	SHEET NO	STG	REV	N/P
A2x3	4:1	1 OF 1	1 OF 1	R	02	-

23492523