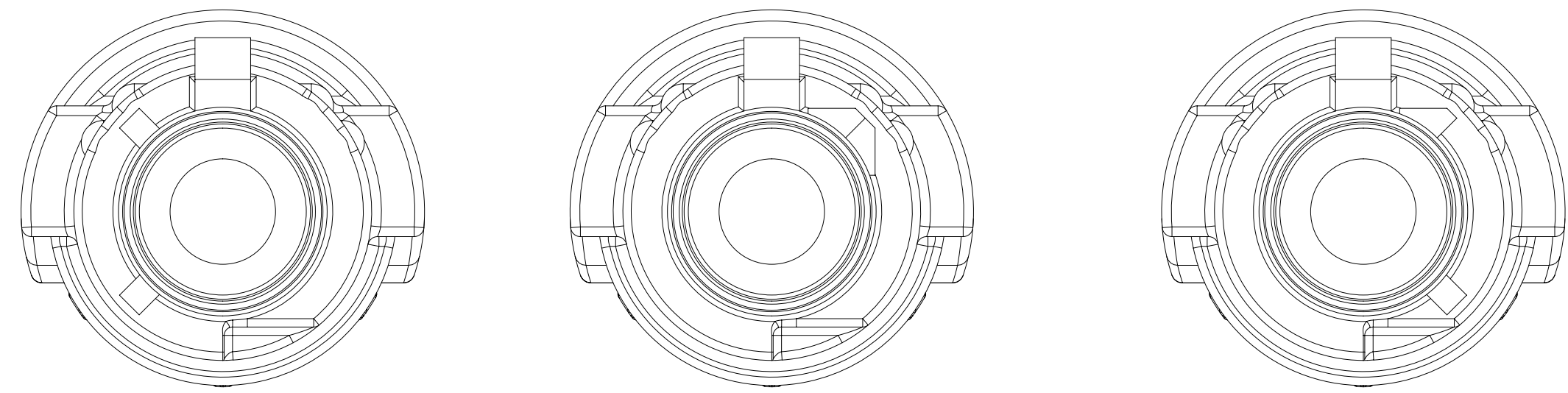
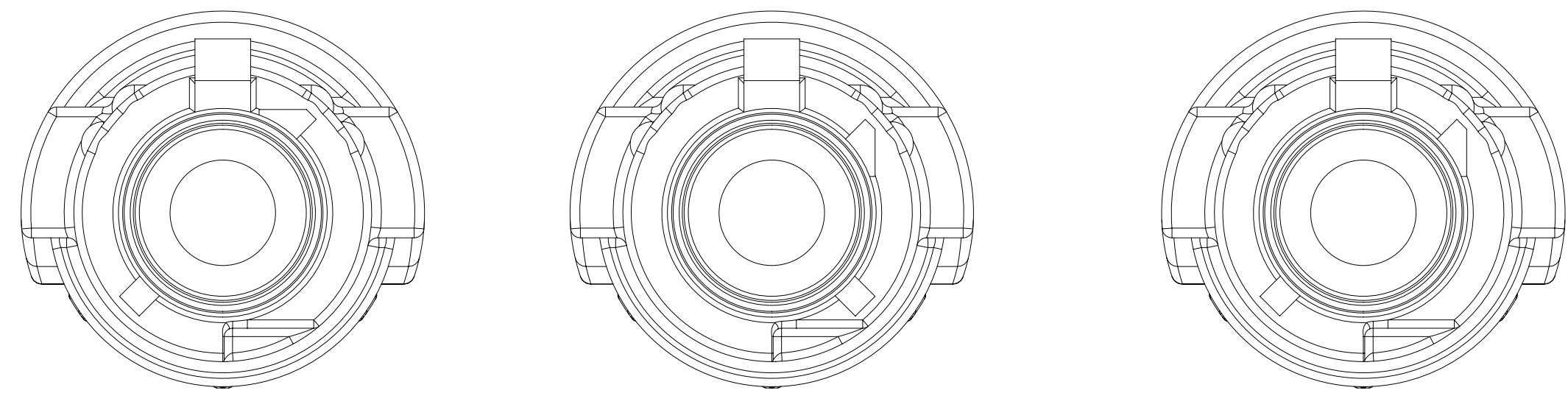


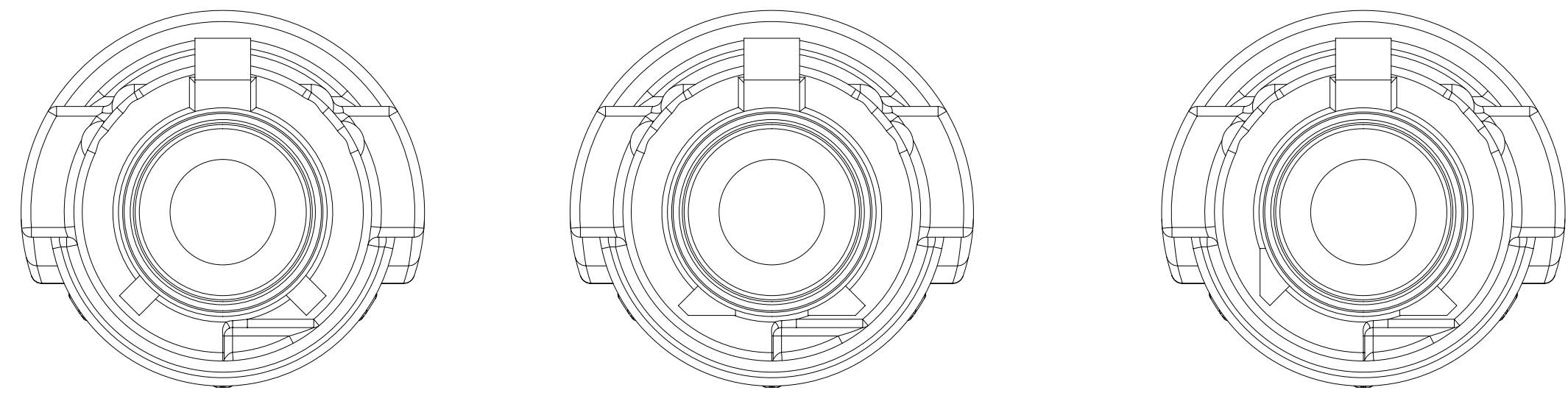
CODE A CODE B CODE C



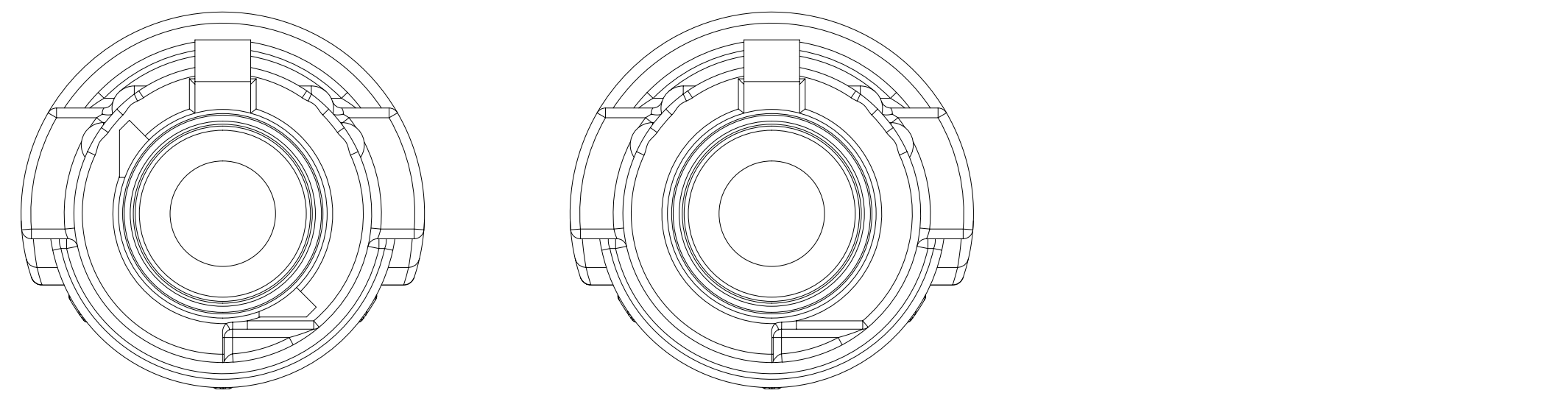
CODE D CODE E CODE F



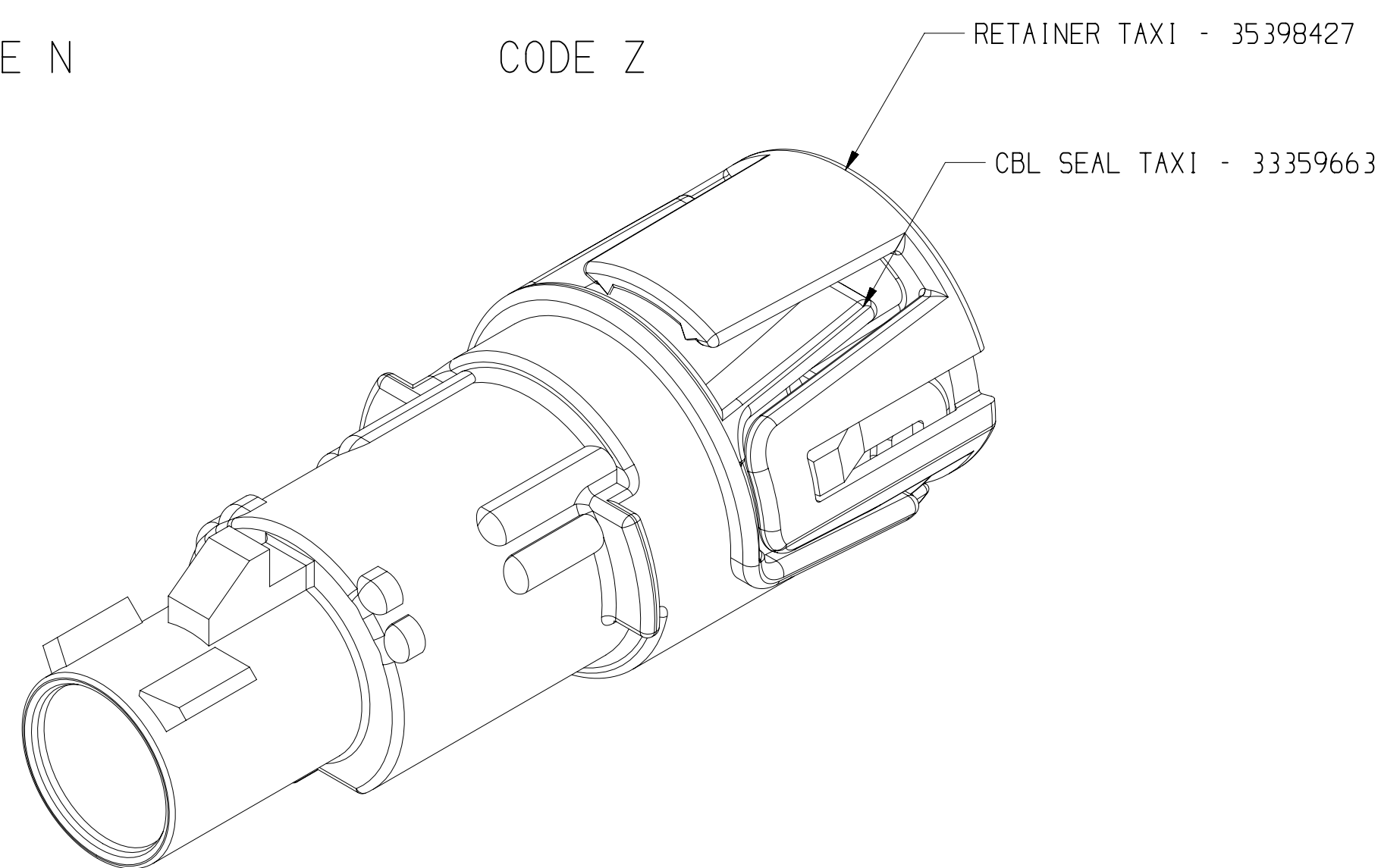
CODE G CODE H CODE I



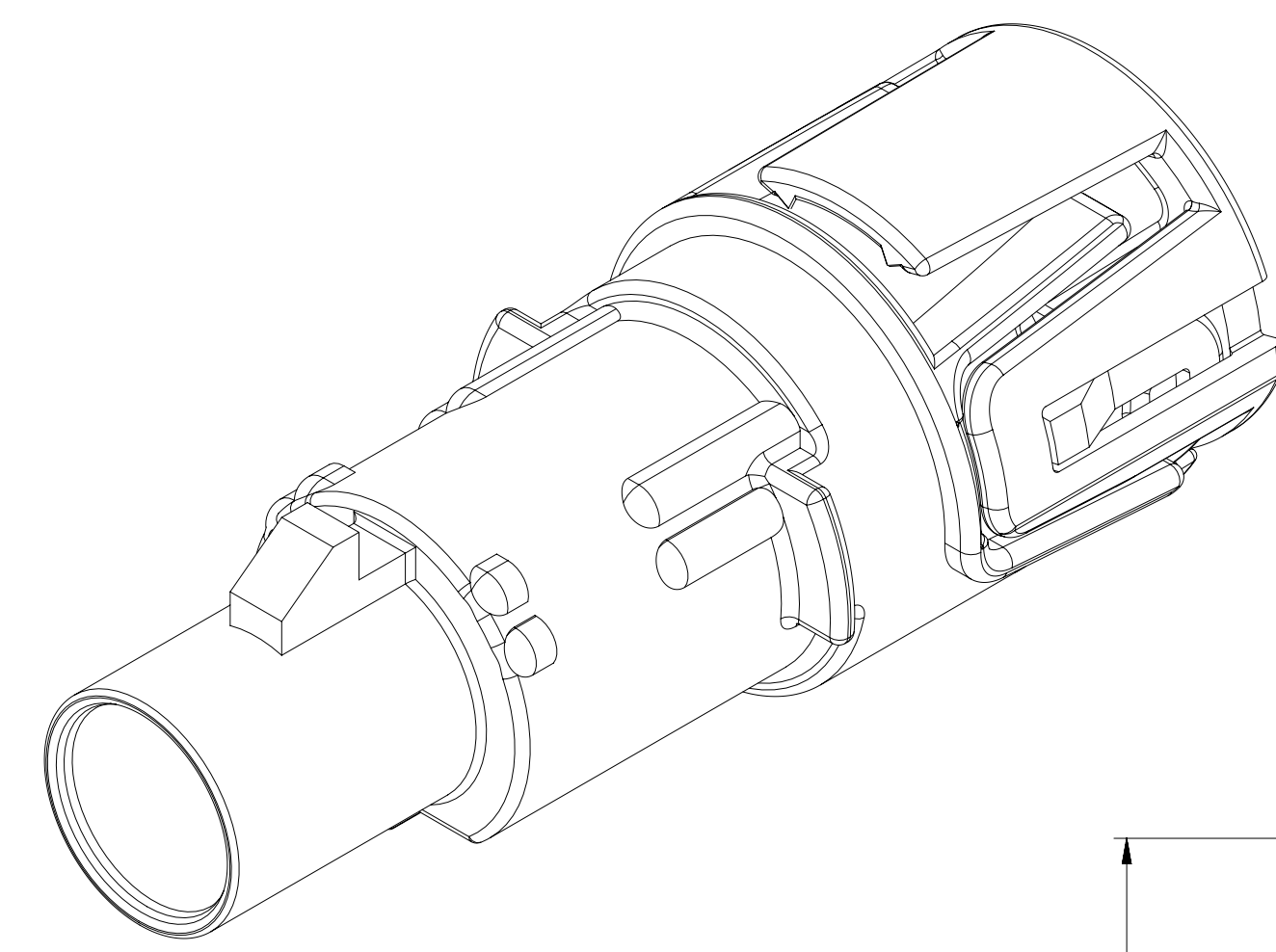
CODE K CODE L CODE M



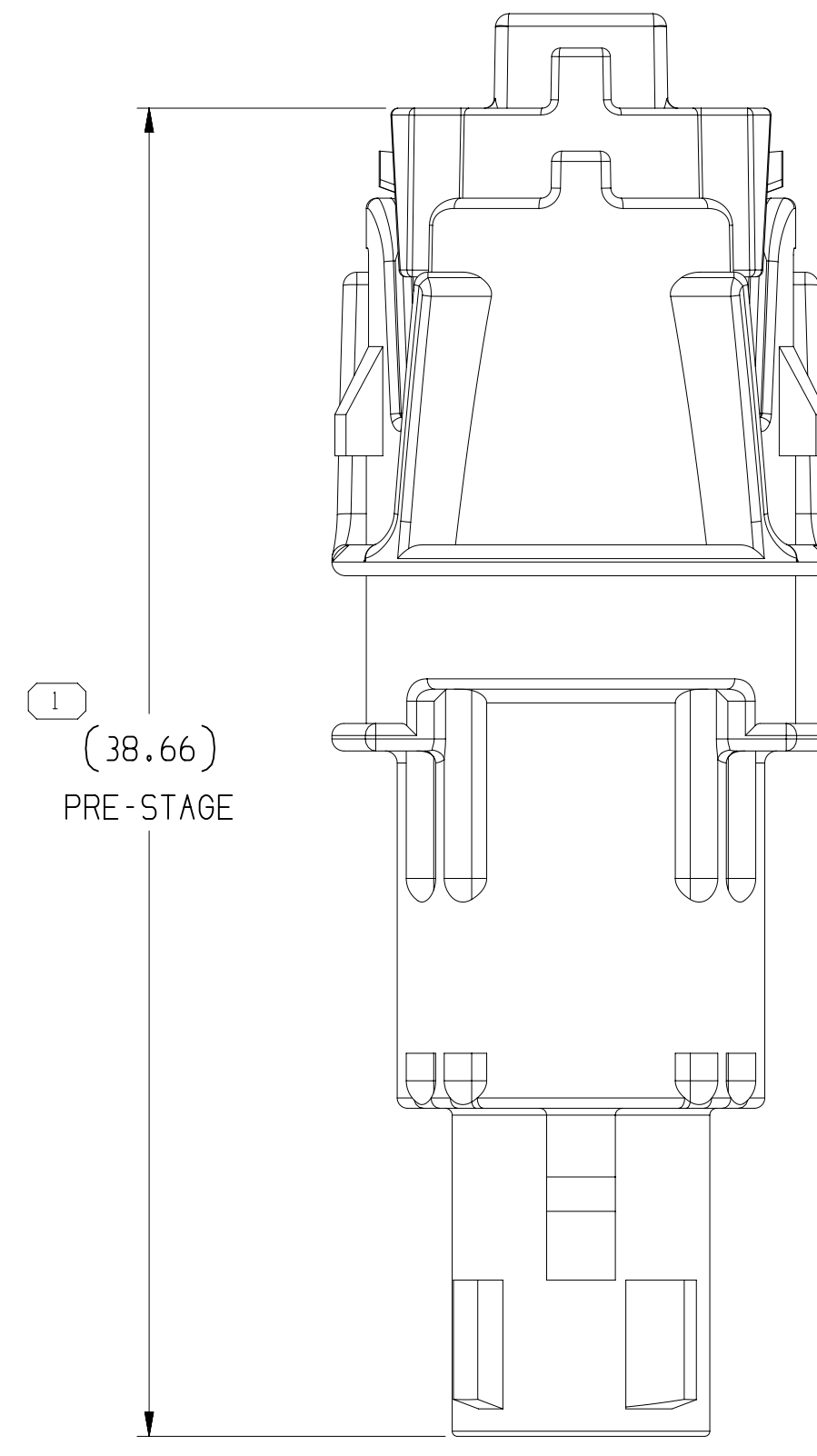
CODE N CODE Z



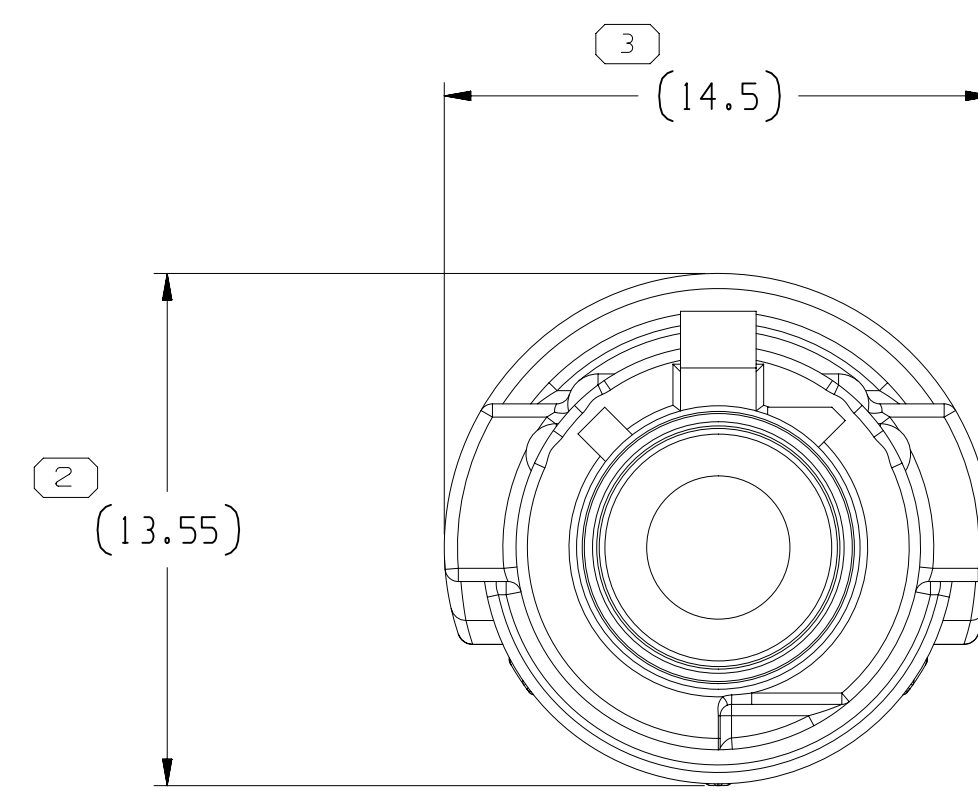
REFERENCE IMAGE OF ASSEMBLY IN FULL STAGE POSITION WITH SEAL RETAINER



TYPE 102
PLUG CODE Z
FULL STAGE



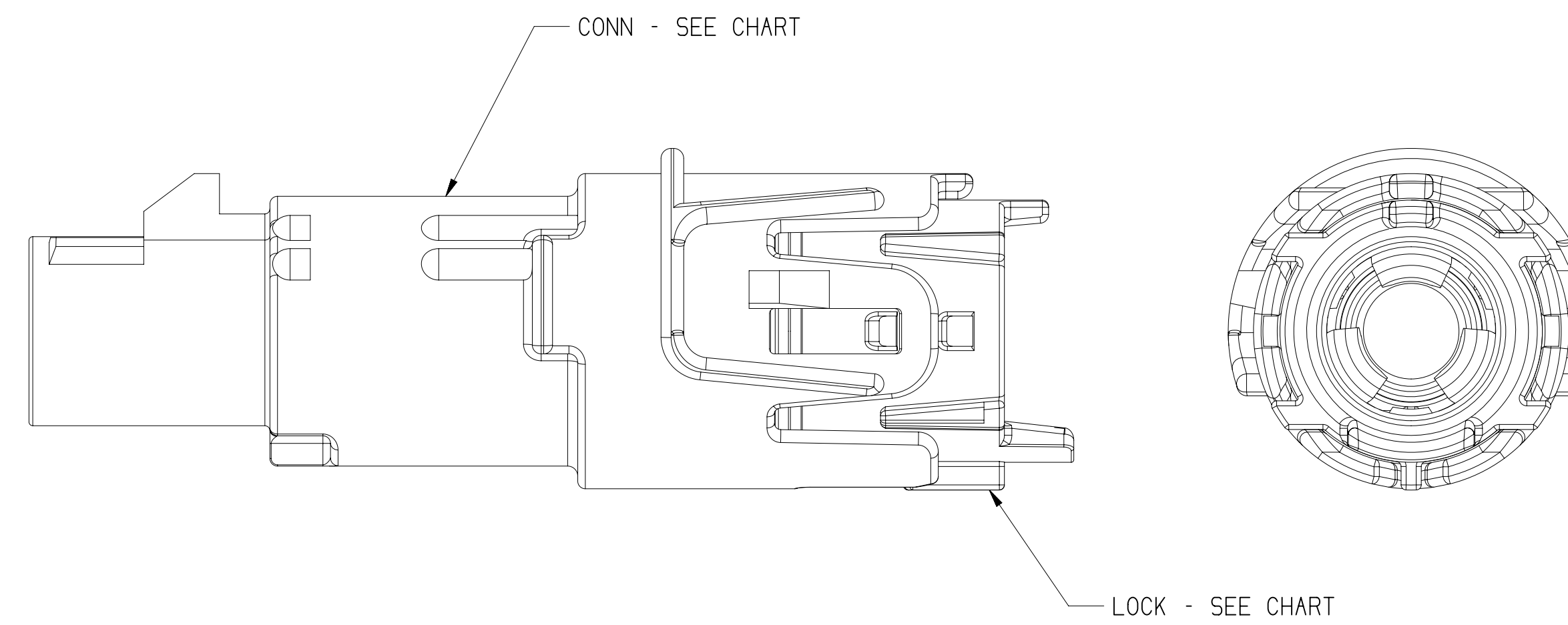
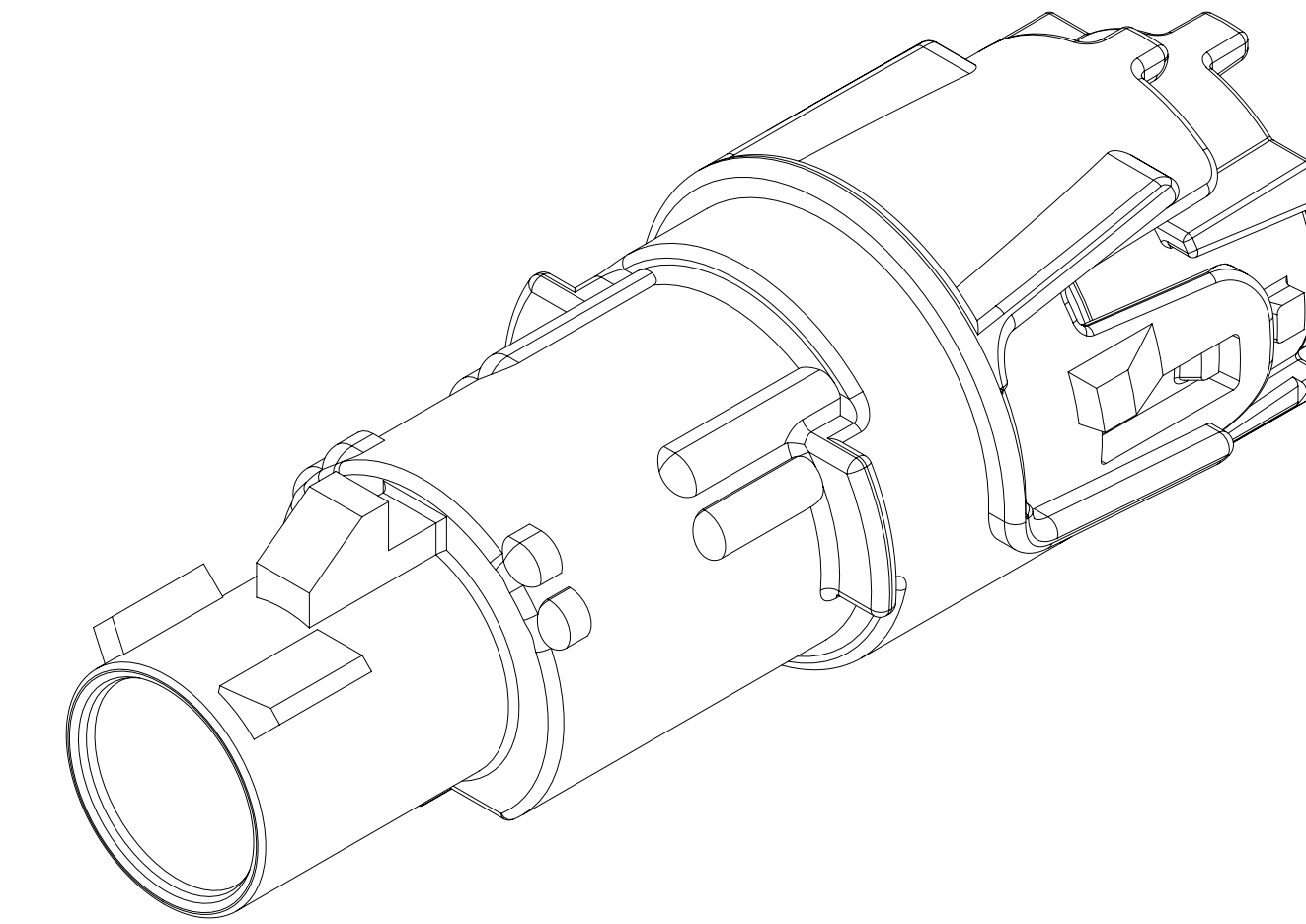
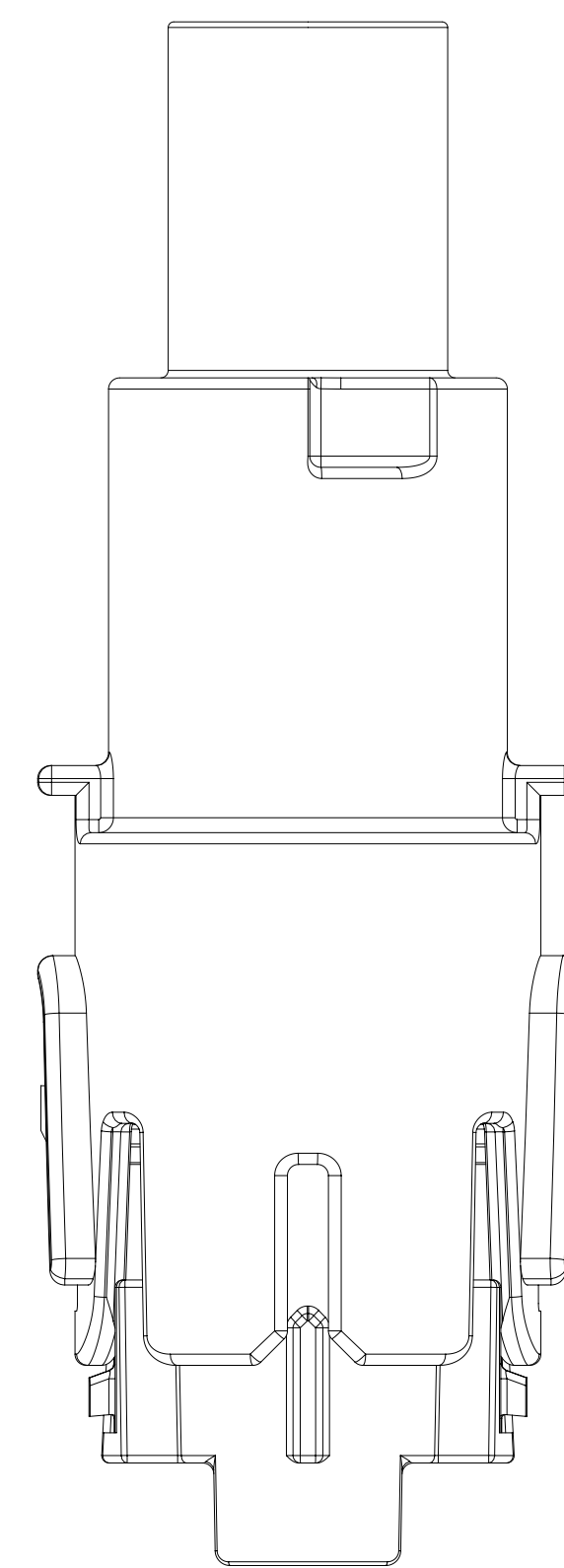
1
(38.66)
PRE-STAGE



2
(13.55)

3
(14.5)

TYPE 101
CODE A



SYMBOL DEFINITION		TOTAL NO OF INSPECTIONS REQUIRED		MISSING SYMBOLS	
A DIMENSION WITHOUT AN INSPECTION REPORT SYMBOL DOES NOT REQUIRE INSPECTION. IT MAY BE CONTROLLED ON THE INDIVIDUAL COMPONENT DRAWING.			3	NO MISSING SYMBOL NUMBER	
		LAST NO. USED	3		

DWG STATUS		ZONE		REVISION HISTORY		AUTH		DR		APVD	
DATE	STG	REV	N/P	CHG							
22JN16	R	01	-	-	RELEASED	433469	TAI	TAI	TAI	MDF	
20OC16	R	02	-	-	ALL PARTS - UPDATED ASSEMBLY: DIM 113.551 WAS 114.751 ADDED PART NUMBER 35010702						
07OC19	R	03	-	-	35399256 - RELEASED	550172	AGC	AGC	AGC	RNL	
18DE20	R	04	-	-	33355538, 40 - UPDATED PART AVAILABILITY	553237	AHY	JAA	JAA	RNL	
06AP21	R	05	-	-	33355539, 33355541-51, 35010702, 35399256 - UPDATED PART AVAILABILITY (PN WAS NOT AVAILABLE)	553965	JLL	JAA	JAA	JT	
19DE23	R	06	-	-	ALL PARTS - UPDATED PART TO LATEST CONNECTOR REVISION	562698	J60	JAA	JAA	ACG	
03AP24	R	07	-	-	ALL PARTS - ADDED "DISENGAGE TPA/ISL" NOTE	563708	J60	JAA	JAA	ACG	

35399256	02	AA	101	G	33358223	33358005	-	-			
35010702	02	AA	102	Z	33358230	33358005	33358010	33359662			
33355551	03	AA	101	Z	33358230	33358005	-	-			
33355550	03	AA	101	N	33358229	33358005	-	-			
33355549	03	AA	101	M	33358228	33358005	-	-			
33355548	03	AA	101	L	33358227	33358005	-	-			
33355547	03	AA	101	K	33358226	33358005	-	-			
33355546	03	AA	101	I	33358225	33358005	-	-			
33355545	03	AA	101	H	33358224	33358005	-	-			
33355544	03	AA	101	G	33358223	33358005	-	-			
33355543	03	AA	101	F	33358222	33358005	-	-			
33355542	03	AA	101	E	33358221	33358005	-	-			
33355541	03	AA	101	D	33358218	33358005	-	-			
33355540	03	AA	101	C	33358217	33358005	-	-			
33355539	03	AA	101	B	33358216	33358005	-	-			
33355538	03	AA	101	A	33358007	33358005	-	-			
PART NO	REV	N/P	TYPE	CODE	CONN	LOCK	RETAINER	PLUG			

NOTES

- UNLESS OTHERWISE SPECIFIED AND/OR INDICATED:
DIMENSIONS ARE TO FACE OF VIEW SHOWN AND AUTOMATICALLY ROUNDED BY COMPUTER FOR INSPECTION (SEE MATH MODEL FOR PRECISE DIMENSIONS). FOR ALL OTHER DIMENSIONS NOT SHOWN BUT REQUIRED FOR TOOL BUILD, SEE MATH MODEL FOR PRECISE TOOL PATH DATA.
- FOR APPLICATION DATA SEE THE INDIVIDUAL APPLICATION DRAWINGS.
- USCAR 17 SEC. 1 TPA/ISL DISENGAGE LOCK TO PRE-SET DOESN'T APPLY; SPECIAL TOOL IS REQUIRED TO DISENGAGE TPA/ISL FROM FULL STAGE. REFER TO ASSEMBLY MANUAL 35023110.

DIMENS (OVAL RANGE (MM))	CHART	ET							
FROM > 0	> 20	> 30	> 70	> 100	> 150	> 200	> 250	> 300	> 400
TO	20	30	70	100	150	200	250	300	400
TOLERANCE (UNLESS OTHERWISE SPECIFIED)									
±0.15 ±0.2 ±0.3 ±0.4 ±0.5 ±0.6 ±0.8 ±1 ±1.2									
ANGULAR TOLERANCE ±2°									

PART DRAWING	
STYLE	D
VOLUME (CM)	
DISTR CODE	
UNLESS OTHERWISE SPECIFIED	
THIS DOCUMENT IS IN ACCORDANCE WITH ASME Y14.5M-1994 AS MODIFIED BY THE 2018 GLOBAL DIMENSIONING AND TOLERANCING ADDENDUM-2009. SEPARATE PATTERNING OF FEATURES MAY BE ORDERED SEPARATELY, REGARDLESS OF DATUM REFERENCES.	
ALL DIMENSIONS ARE IN MILLIMETERS	
REFERENCE	
THIRD ANGLE PROJECTION	DO NOT SCALE USE MATH DATA

APTIV
CONNECTION SYSTEMS
WARREN, OH
COPYRIGHT 2016 APTIV. ALL RIGHTS RESERVED.

THIS DRAWING IS THE PROPERTY OF APTIV AND CONTAINS APTIV CONFIDENTIAL INFORMATION. THE REPRODUCTION, DISTRIBUTION AND UTILIZATION OF THIS DOCUMENT OR ITS RELATED CAD DATA, AS WELL AS COMMUNICATION OF ANY CONTENT TO OTHERS, WITHOUT EXPRESS AUTHORIZATION, IS PROHIBITED.

DR	DATE
APVD1 T. ILLER	22JN16
APVD2 T. ILLER	22JN16
APVD3 M. DELATORRE	22JN16
APVD4	
APVDS	

SUBSTANCES OF CONCERN AND RECYCLED CONTENT PER APTIV 10949001

MATERIAL: SEC CHART

DRAWING NAME: TAXI ASM CONN I M FAKRA JACK SLD COAX

DRAWING NUMBER: 33355537

SIZE: A0 SCALE: 5:1 FRAME NO: 1 OF 1 SHEET NO: 1 OF 1 STG: REV: N/P: 07 -