


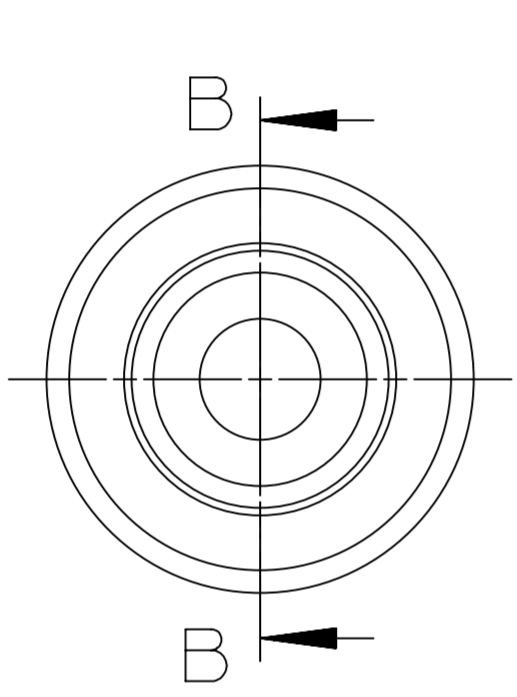
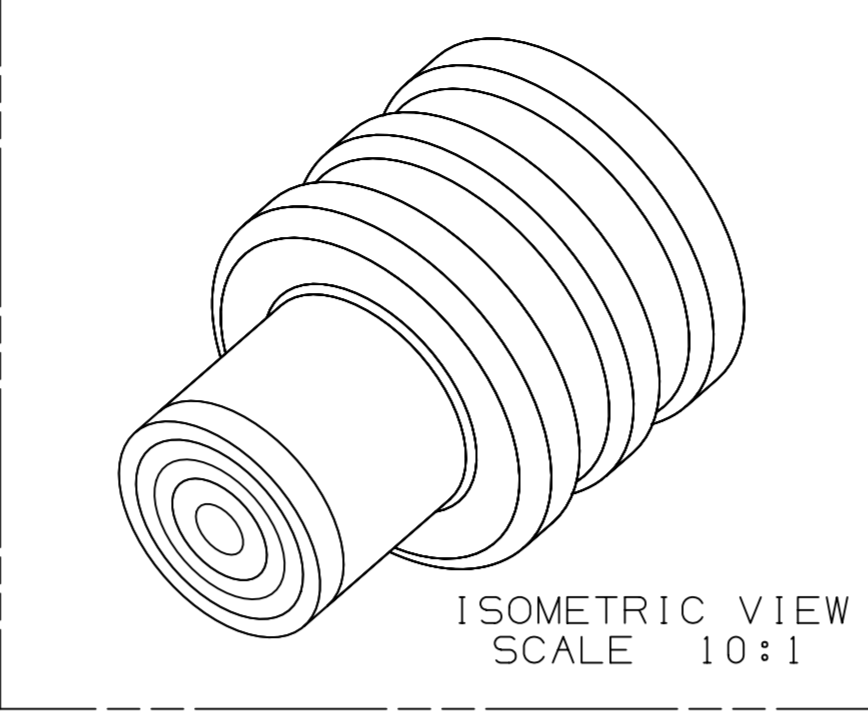
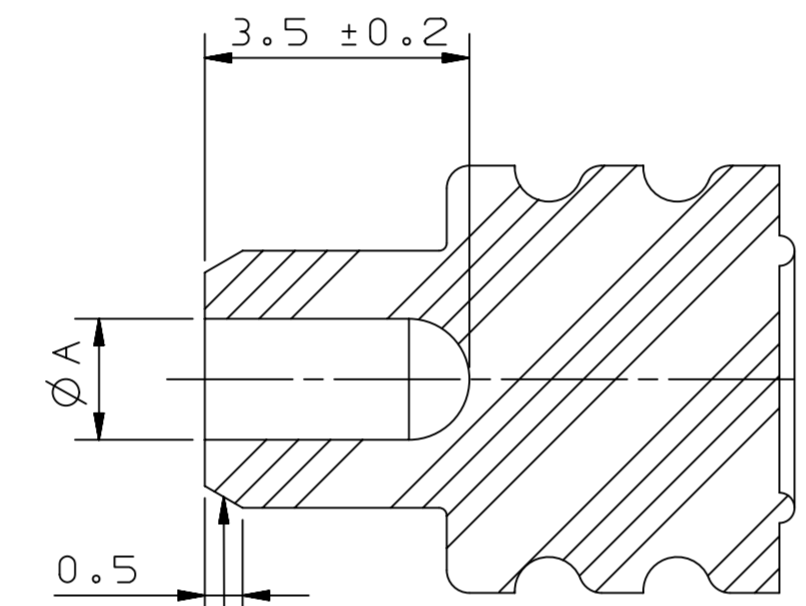


SYMBOL DEFINITION		
A DIMENSION WITHOUT AN INSPECTION REPORT SYMBOL  OR  DOES NOT REQUIRE INSPECTION. IT MAY BE CONTROLLED ON THE INDIVIDUAL COMPONENT DRAWING.	TOTAL NO OF INSPECTIONS REQUIRED	0
 INDICATES THE DIMENSION IS SHOWN ON THE PART DRAWING AND THE TOOL MUST BE QUALIFIED AT 80% OF THE TOLERANCE SHOWN UNLESS SUPERSEDED BY A "TBT".	LAST NO. USED	0

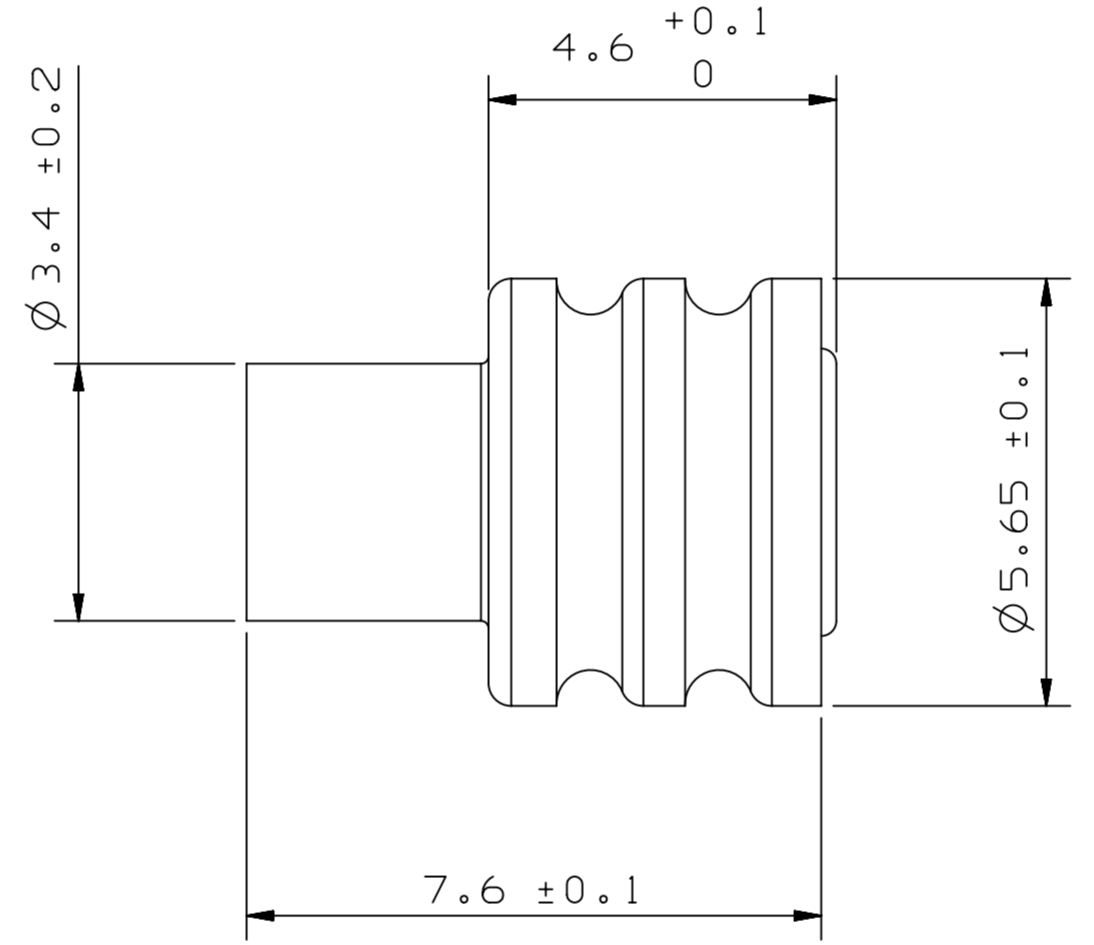
MISSING SYMBOLS					DWG STATUS		ZONE	REVISION HISTORY		AUTH	DR	APVD 1	APVD 2
DATE	STG	REV	N/P	CHG									
20AU15	R	-	-	-					INITIAL RELEASE		CSW	PJH	LMY
13SE16	R	02	-	-					SERIAL RELEASED ( PD16-168 )		CSW	-	PJH
20AP18	R	2AA	-	-					REMOVE UNNECESSARY VIEW	PD18-082	CSW	-	PJH



CHAMFERED ALTERNATIVE TO ANGULAR DESIGN



SECTION B - B



BLIND PLUG

NOTES:

- SEALING AREA SURFACE MUST BE FREE OF CUTS, BLOW HOLES, FURROWS AND INSERT MARKS.
- UNSPECIFIED RADIUS R0.3
- MATERIAL :  
- SILICON RUBBER  
- OIL PORTION : 6±0.5%  
- HARDNESS : 50±5 SHORE A
- COLOR : SEE TABLE
- GENERAL TOLERANCE IS ±0.1, 0.5°
- NO OVER THICKNESS AT THE INJECTION POINT

33282443	01	GREEN	BLIND PLUG	Ø5.2 ±0.1	1.6	--	--
PART NO	REV	COLOR	INSULATION WIRE	CAVITY DIMENSION	ØA	ØB	ØC
DELPHI				DIMENSION			

DIMENSIONAL RANGE (MM)				CHART		C
FROM	TO	>	>	>	>	
>0	25	25	60	60	80	>80
TOLERANCE UNLESS OTHERWISE SPECIFIED						
±0.3		±0.5		±0.6		±0.75%
ANGULAR TOLERANCE ±2°						

A LINE DRAWN THROUGH A PART NUMBER INDICATES THAT PHYSICAL PARTS ARE NOT AVAILABLE FOR ORDERING.

PART NUMBERS THAT DO NOT HAVE A LINE PRESENT INDICATE THAT PHYSICAL PARTS ARE AVAILABLE FOR ORDERING.

CONTACT APTIV SALES TO ASSURE AVAILABILITY OF PARTS.

DWG TYPE: PART DRAWING

STYLE: [Symbol]

VOLUME (CM<sup>3</sup>): [Symbol]

DISTR CODE: [Symbol]

UNLESS OTHERWISE SPECIFIED

THIS DOCUMENT IS IN ACCORDANCE WITH ASME Y14.5M-1994 AS AMENDED BY THE GM GLOBAL DIMENSIONING AND TOLERANCING ADDENDUM-2001. SEPARATE PATTERNS OF FEATURES MAY BE GAGED SEPARATELY REGARDLESS OF DATUM REFERENCES.

ALL DIMENSIONS ARE IN MILLIMETERS

THIRD ANGLE PROJECTION

DO NOT SCALE

USE MATH DATA

NX

**• APTIV •**

DELPHI PACKARD ELECTRICAL/ELECTRONIC ARCHITECTURE

Chennai, India

COPYRIGHT 2015 DELPHI CORPORATION AND/OR ITS AFFILIATES. ALL RIGHTS RESERVED.

THIS DRAWING IS THE PROPERTY OF DELPHI CORPORATION AND CONTAINS DELPHI CONFIDENTIAL INFORMATION. THE REPRODUCTION, DISTRIBUTION AND UTILIZATION OF THIS DOCUMENT OR ITS RELATED CAD MATH DATA, AS WELL AS COMMUNICATION OF ANY CONTENT TO OTHERS, WITHOUT EXPRESS AUTHORIZATION, IS PROHIBITED.

DR	DATE	
APVD1	CHOI, SEUNG-WON	20AU15
APVD2	PARK, JOO-HYUN	20AU15
APVD3	LEE, MIN-YOUNG	20AU15
APVD4		
APVD5		

SUBSTANCES OF CONCERN AND RECYCLED CONTENT PER DELPHI 10949001

MATERIAL: SEE NOTE

DRAWING NAME: SINGLE WIRE SEAL

DRAWING NUMBER: 33282443

SIZE	SCALE	FRAME NO	SHEET NO	STG	REV	N/P
A1	10:1	1 OF 1	1 OF 1	R	2AA	-