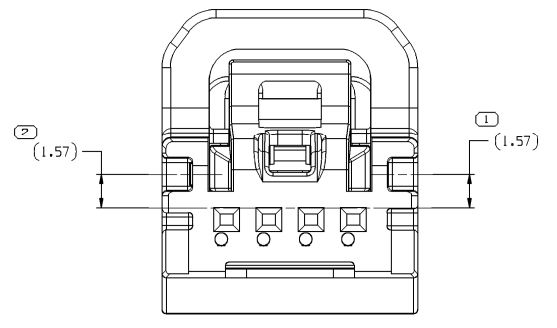
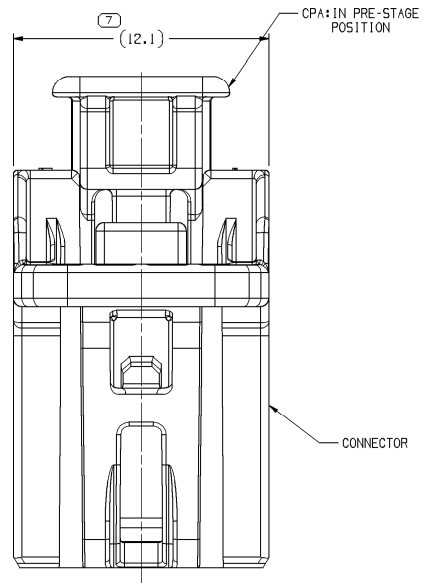


SYMBOL DEFINITION		MISSING SYMBOLS	
A DIMENSION WITHOUT AN INSPECTION REPORT SYMBOL DOES NOT REQUIRE INSPECTION. IT MAY BE CONTROLLED ON THE INDIVIDUAL COMPONENT DRAWING.	TOTAL NO OF INSPECTIONS REQUIRED	NO MISSING SYMBOL NUMBER	
	20		
	LAST NO. USED		
	16		

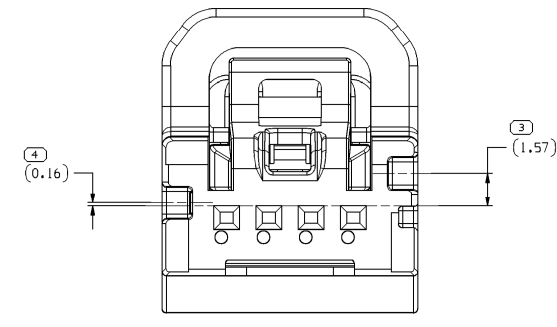
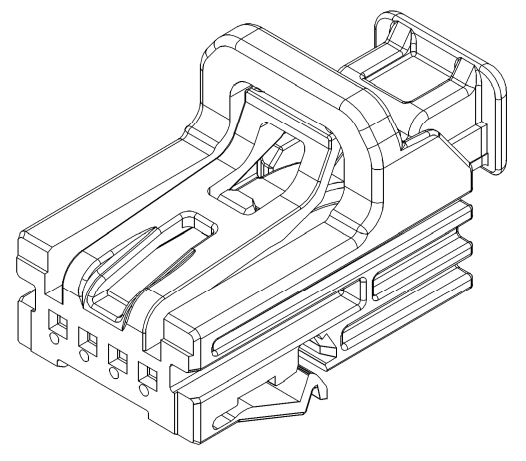
DATE		REV		N/P		CHG		ZONE		REVISION HISTORY		AUTH		DR		APV	
18SE15	U	01	-	-	-	-	-	-	-	WAS PE313782		430642	MB	MB	JDD	JDD	JDD
14OC15	R	02	-	-	-	-	-	-	-	UPDATED PDM ATTRIBUTES, DIM 7 WAS 12.63, DIM 14 WAS 11.23, DIM 15 WAS 20.38		431093	JHG	JHG	JDD	JDD	JDD
24MR16	R	03	-	-	-	-	-	-	-	CONNECTORS REVISED TO REV 03		432277	MB	MB	JDD	JDD	JDD
10AU16	R	04	-	-	-	-	-	-	-	ALL PARTS - CPA WAS 332B3037, DIM #7 WAS 12.25, DIM #14 WAS 12.23 & DIM 15 WAS 20.61, ADDED DIM 11, PLO1 & PSD AND UPDATED CONNECTOR TO LATEST; 332B3024 - UPDATED PART AVAILABILITY		433911	DCH	DCH	MAA	MAA	MAA
12JN17	R	05	-	-	-	-	-	-	-	ALL PARTS - REVISION 03AA WAS 04 FOR AUTH NUMBER 433911		436841	NKS	NKS	EH	EH	EH
16AU17	R	06	-	-	-	-	-	-	-	ALL PARTS - REVISED GRAPHICS		437478	NKS	NKS	EH	EH	EH
06OC17	R	07	-	-	-	-	-	-	-	ALL PARTS - UPDATED PDM ATTRIBUTES		437951	NKS	NKS	EH	EH	EH
26FE18	R	08	-	-	-	-	-	-	-	ALL PARTS - PROCESS SENSITIVE DIMENSION WAS #16 AND ADDED "CPA POSITION" NOTE		439114	SM	SM	EH	EH	EH
20AP18	R	09	-	-	-	-	-	-	-	ALL PARTS - UPDATED PART AVAILABILITY		439592	NKS	NKS	EH	EH	EH
22JN18	R	10	-	-	-	-	-	-	-	ALL PARTS - REVISED NOTE #03		440066	NKS	NKS	ES	ES	ES



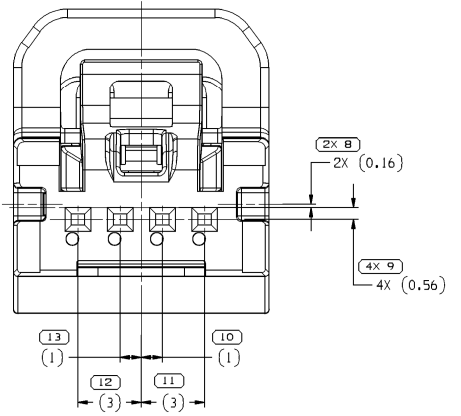
TYPE 102  
SAME AS TYPE 101  
EXCEPT AS SHOWN



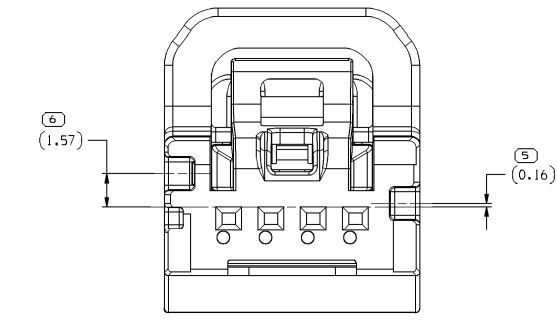
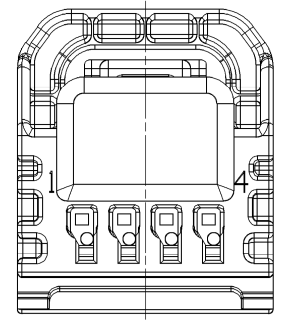
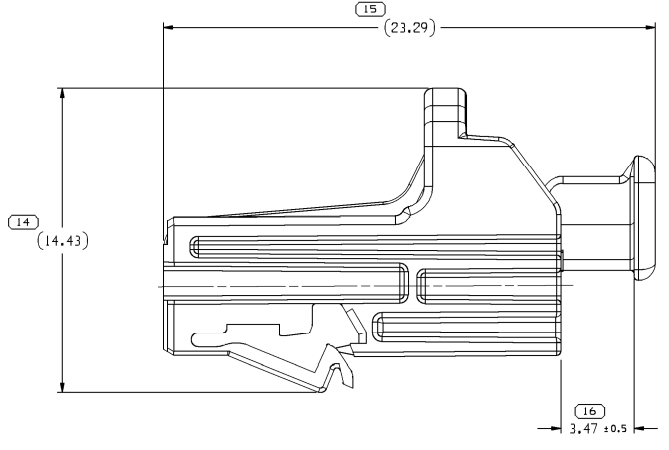
CONNECTOR



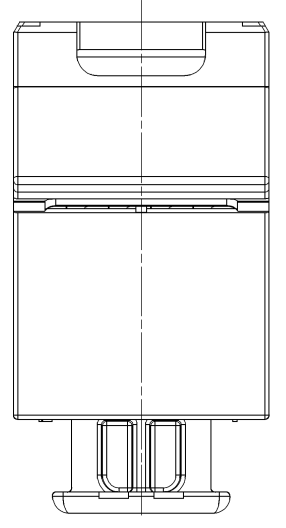
TYPE 103  
SAME AS TYPE 101  
EXCEPT AS SHOWN



TYPE 101



TYPE 104  
SAME AS TYPE 101  
EXCEPT AS SHOWN



- NOTES
- UNLESS OTHERWISE SPECIFIED AND/OR INDICATED: DIMENSIONS ARE TO FACE OF VIEW SHOWN AND AUTOMATICALLY ROUNDED BY COMPUTER FOR INSPECTION (SEE MATH MODEL FOR PRECISE DIMENSIONS). FOR ALL OTHER DIMENSIONS NOT SHOWN BUT REQUIRED FOR TOOL BUILD, SEE MATH MODEL FOR PRECISE TOOL PATH DATA.
  - WHEN PARTS ARE SHIPPED THEY MUST BE PACKED IN PLASTIC BAGS OR SHIPPING CONTAINERS MUST BE LINED WITH PLASTIC LINERS. BAGS OR LINERS MUST BE SEALED TO AVOID FOREIGN MATTER.
  - SEALING CODE 1 - DESIGN WILL MEET REQUIREMENTS OF SAE/USCAR-6 UNSEALED CONNECTOR SYSTEM ENVIRONMENTAL TEST FLOWCHART
  - THIS PART IS NOT CONTROLLED FOR AUTOMATIC FEEDING.
  - FOR APPLICATION DATA SEE THE INDIVIDUAL APPLICATION DRAWINGS.

332B3028	04	AD	104	332B3021	33380638
332B3026	04	AD	103	332B3020	33380638
332B3025	04	AD	102	332B3019	33380638
332B3024	04	AD	101	332B3017	33380638
PART NO	REV	N/P	TYPE	CONN	CPA

DIMENSIONAL RANGE (MM)		TOLERANCE	
FROM	TO	±	ANGULAR TOLERANCE
> 0	15.24	±0.25	±0.5
15.24	30.48	±0.25	±0.5
30.48	76.20	±0.25	±0.5
76.20	152.40	±0.25	±0.5
152.40	304.80	±0.25	±0.5
304.80	609.60	±0.25	±0.5
609.60	1219.20	±0.25	±0.5

**DELPHI**  
DELPHI PACKARD ELECTRICAL/ELECTRONIC ARCHITECTURE

DATE: 28-JUN-18 Time: 20:22

OR  
APV01 M. BASHKIN IBSE15  
APV02 M. BASHKIN IBSE15  
APV03 J. DAUGHERTY IBSE15  
APV04  
APV05

SUBSTANCES OF CONCERN AND RECYCLED CONTENT PER DELPHI (1044900)

MATERIAL SEE DRAWING

DRAWING NAME  
TAXI ASM CONN 4 F CTS 050

DRAWING NUMBER  
33283023

SIZE A0 SCALE 10:1 FRAME NO 1 OF 1 SHEET NO 1 OF 1 REV N/P 10 -