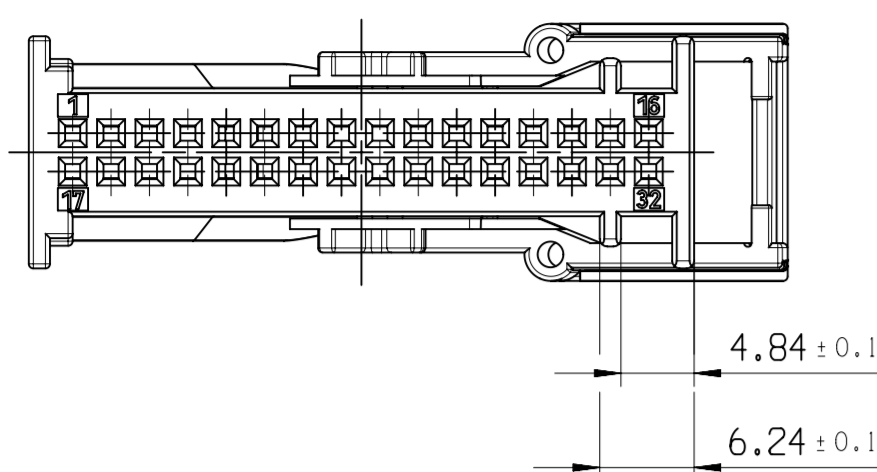
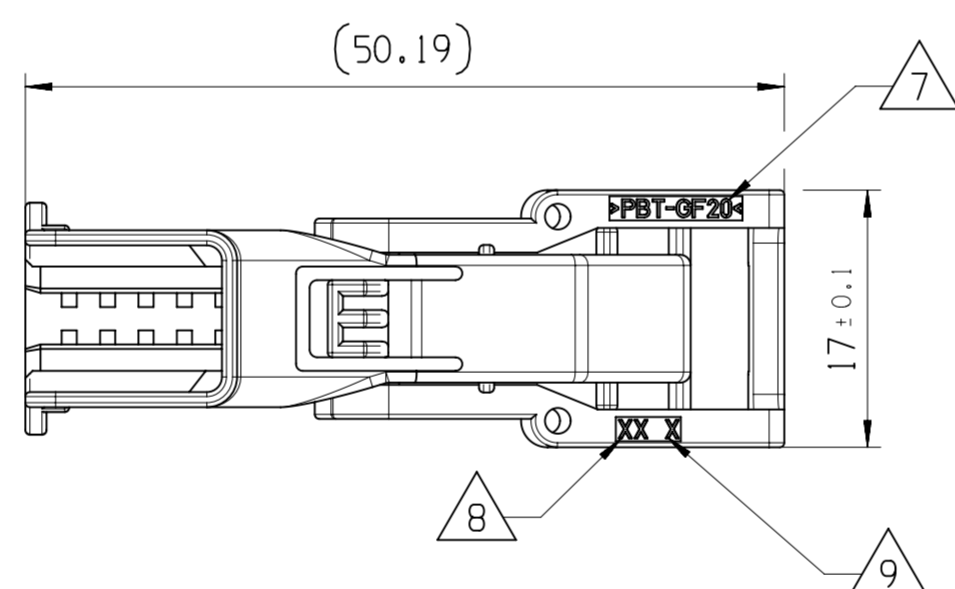
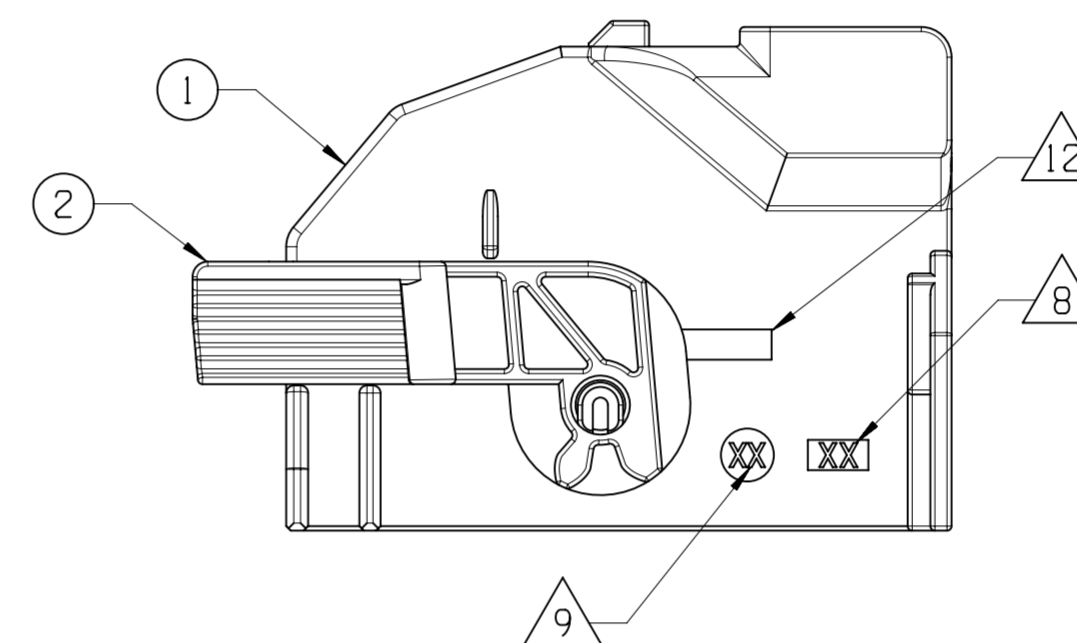
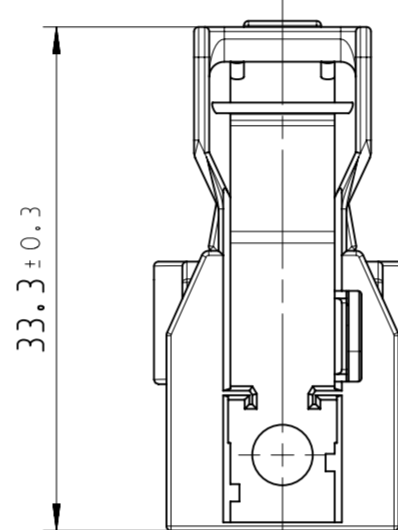
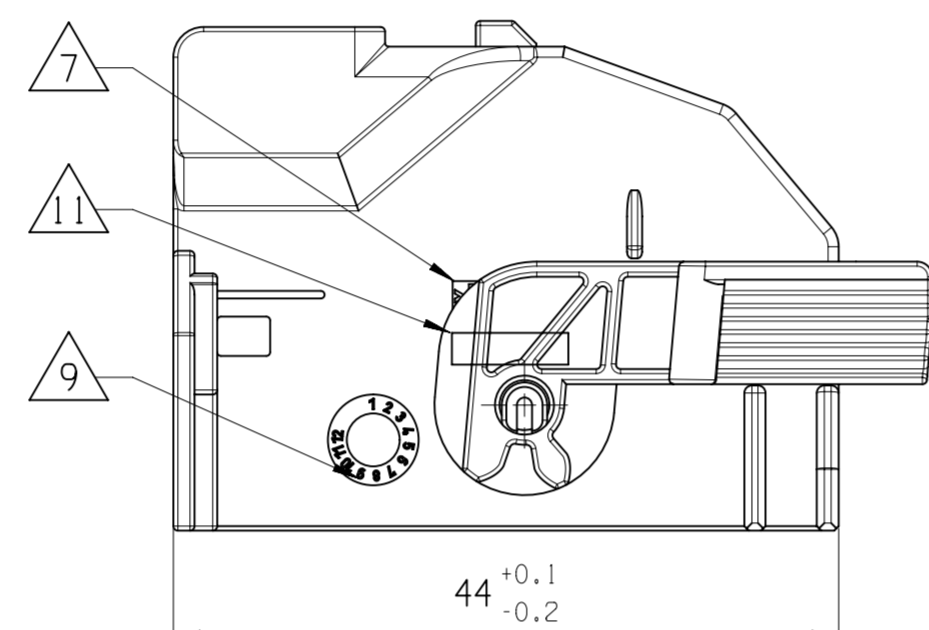
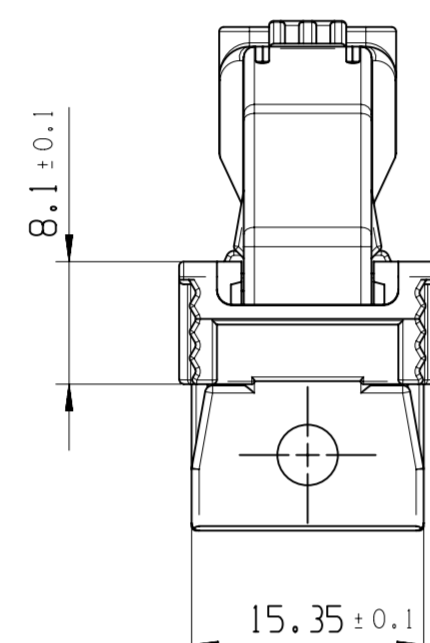
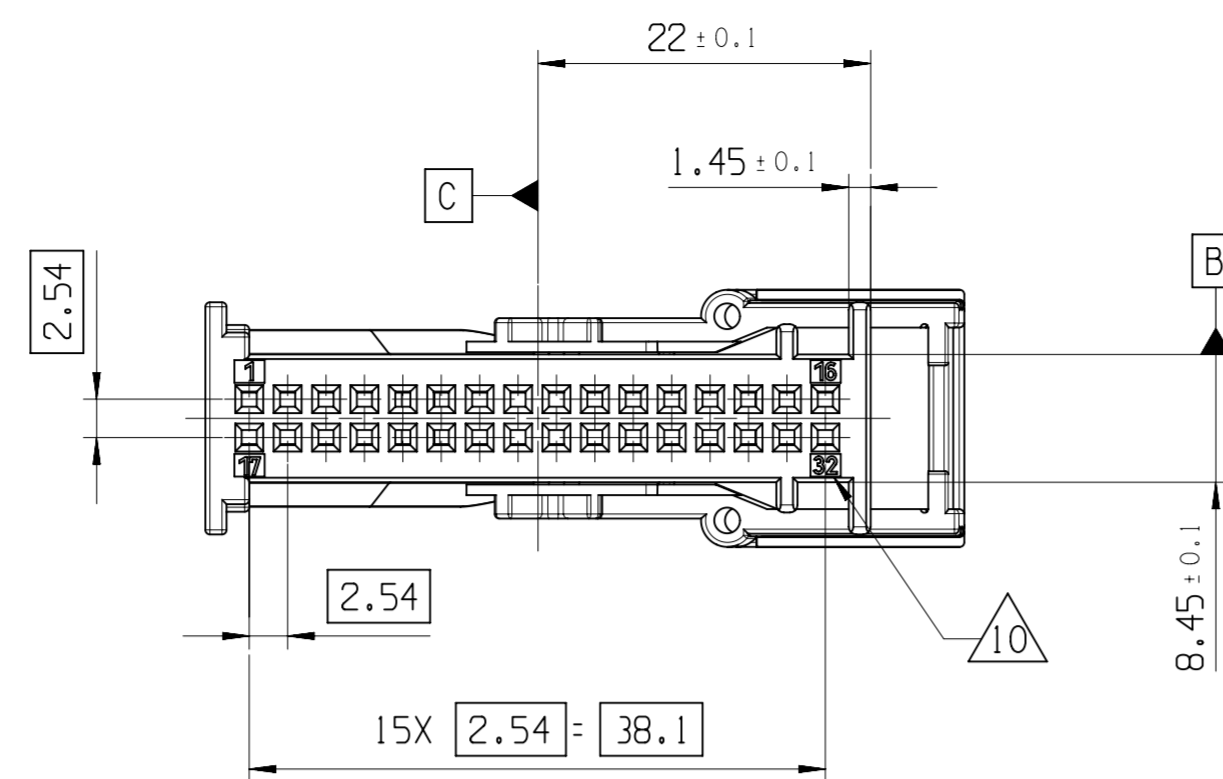
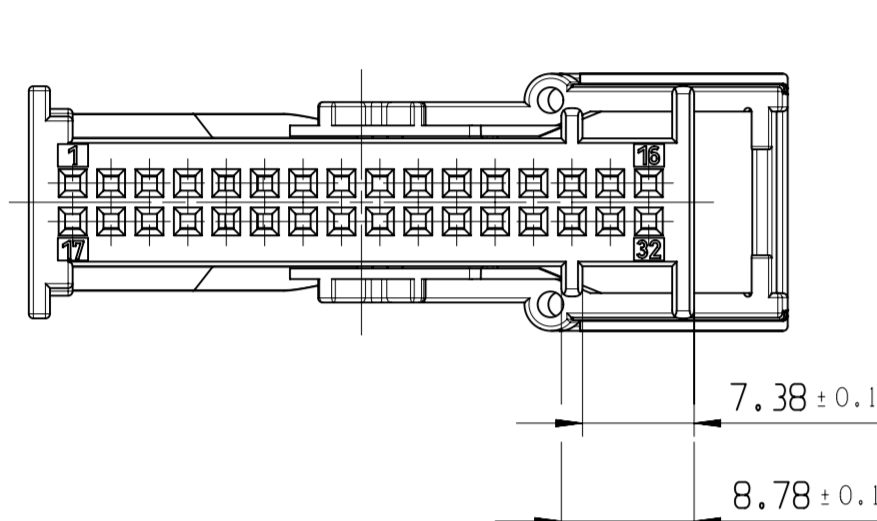


COVER AND LEVER 32WAY

APTIV PART NUMBER	CODEING
13544290	CODE A1
13665294	CODE A2



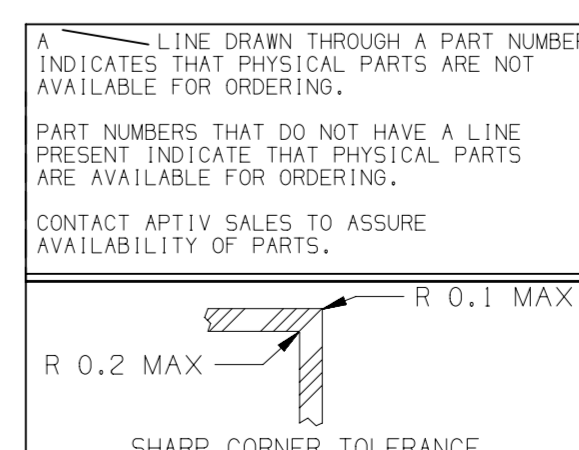
13544291	CODE B1
----------	---------



DESCRIPTION	APTIV P/N
PLUG CONNECTOR HOUSING 32WAY	13544293
TERMINAL SUPPORT 0.64 32 WAY	13544284

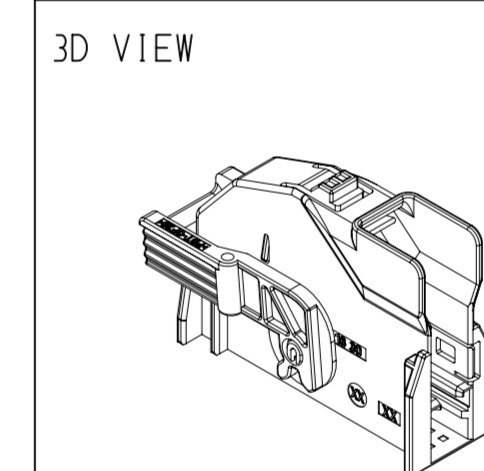
COVER AND LEVER 32 WAY	APTIV NUMBER	CODE	DESCRIPTION	APTIV PART NUMBER	WEIGHT (kg)	MATERIAL	COLOR	NO.
			LEVER	13544268		PBT-GF20	GREY	2
	13544291	B1	COVER	13544286	0.0064	PBT-GF20	NATURAL	1
			LEVER	13544268		PBT-GF20	GREY	2
	13544290	A1	COVER	13544285	0.0064	PBT-GF20	BLACK	1
			LEVER	13544268		PBT-GF20	GREY	2

NOTE	SPECIFICATIONS
1	COVER AND LEVER ACCORDING TO APTIV SPECIFICATION: CAGE XXXX/XXX
2	COVER AND LEVER ACCORDING TO: - TEMPERATURE CLASS T1 - ENGINE VIBRATOR CLASS V1 - SEALING CLASS E0
3	USER'S MANUAL: 13544293-CUS75
4	DELIVERY CONNECTOR WEIGHT : SEE TABLE
5	NO WAFER HINGE OR WAFER HINGE BROKEN ALLOWED
6	VISUAL DEFECTS ON NO FUNCTIONAL AREAS ALLOWED
△	MATERIAL CODE
△	TOOL CAVITY NUMBER
△	PART REVISION NUMBER
△	WAY NUMBERS
△	SUPPLIER LOGO
△	PART NUMBER
△	DATE CLOCK



DIM TO CHECK	DIMENSIONAL RANGE (MM)	CHART	EL
○ DIM FOR CHECK	FROM > 0 TO > 20	> 30	> 70
() DIM FOR HELP	> 20 TO > 30	> 70 TO > 100	> 150
□ THEORETIC DIM	> 30 TO > 70	> 100 TO > 150	> 200 TO > 250
	> 70 TO > 100	> 150 TO > 200	> 250 TO > 300
	> 100 TO > 150	> 200 TO > 250	> 300 TO > 400
	TOLERANCE UNLESS OTHERWISE SPECIFIED		
	±0.15	±0.2	±0.3
	±0.4	±0.5	±0.6
	±0.8	±1	±1.2
	ANGULAR TOLERANCE +2°		

DWG STATUS				ZONE	REVISION HISTORY			AUTH	DR	APVD 1	APVD 2
DATE	STG	REV	N/P/CHG		INITIAL RELEASE				P.BAL	M.LAG	M.LAG
17NO21	R	01									



SCALE 1:1

DWG TYP	CUSTOMER PART DRAWING
WEIGHT (GR)	SEE TABLE
VOLUME (CM³)	---
ROUTING	

UNLESS OTHERWISE SPECIFIED

GENERAL TOLERANCES ACCORDING TO: SEE CHART

GD&T ACCORDING TO: ISO 1101

• APTIV •

CONNECTION SYSTEMS
Chennai, India
COPYRIGHT 2021 APTIV. ALL RIGHTS RESERVED.

THIS DRAWING IS THE PROPERTY OF APTIV AND CONTAINS APTIV CONFIDENTIAL INFORMATION. THE REPRODUCTION, DISTRIBUTION AND UTILIZATION OF THIS DOCUMENT OR ITS RELATED CAD MATH DATA, AS WELL AS COMMUNICATION OF ANY CONTENT TO OTHERS, WITHOUT EXPRESS AUTHORIZATION, IS PROHIBITED.

	DR	DATE
APVD1	P.BALAJI	17NO21
APVD2	LAGUETTE MAURICE	17NO21
APVD3	LAGUETTE MAURICE	17NO21
APVD4		
APVD5		

SUBSTANCES OF CONCERN AND RECYCLED CONTENT PER APTIV 10949001					
MATERIAL					
SEE TABLE					
DRAWING NAME					
COVER AND LEVER 32 WAY FOR M05 0.63					
DRAWING NUMBER					
13544292					
SIZE	SCALE	FRAME NO	SHEET NO	STG	REV N/P
A1	2:1	1 OF 1	1 OF 1	R	01