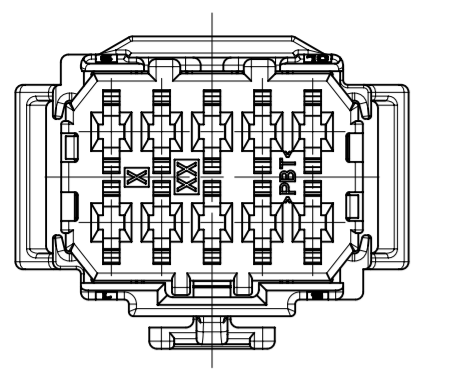
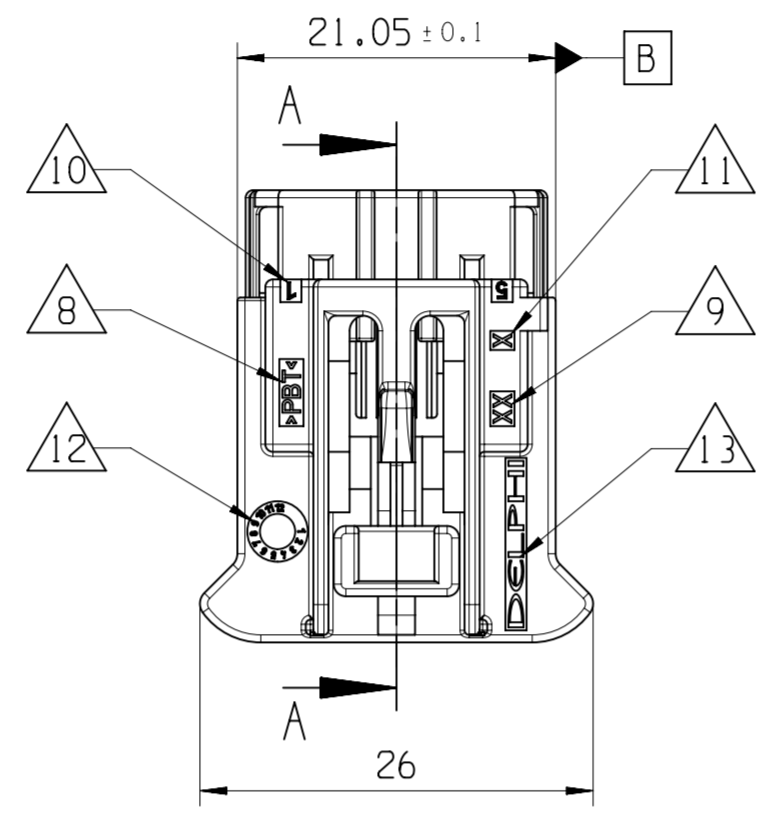
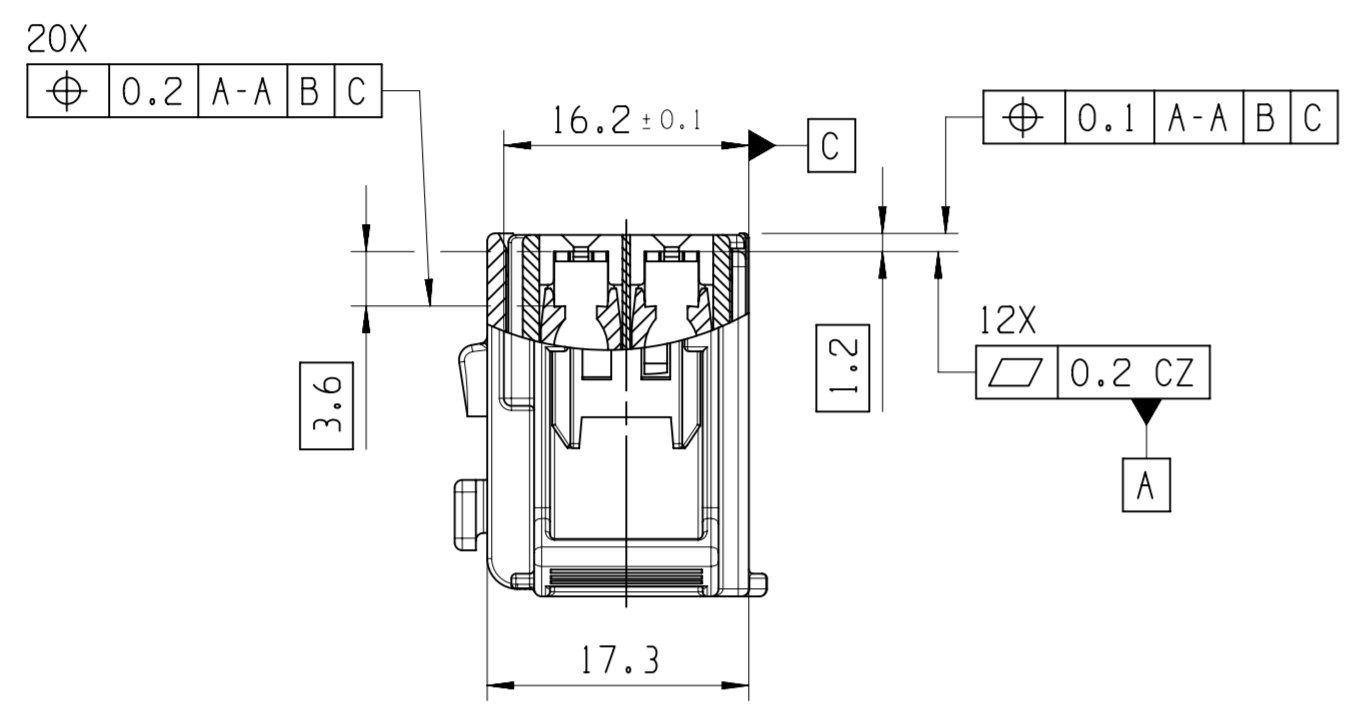
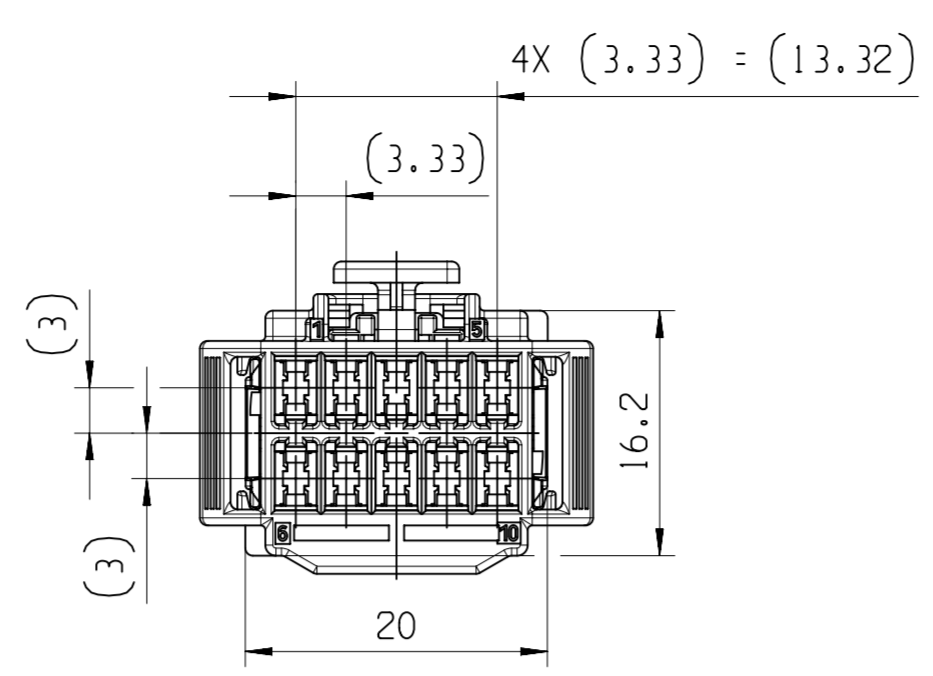


FEMALE CONNECTOR 10WAY

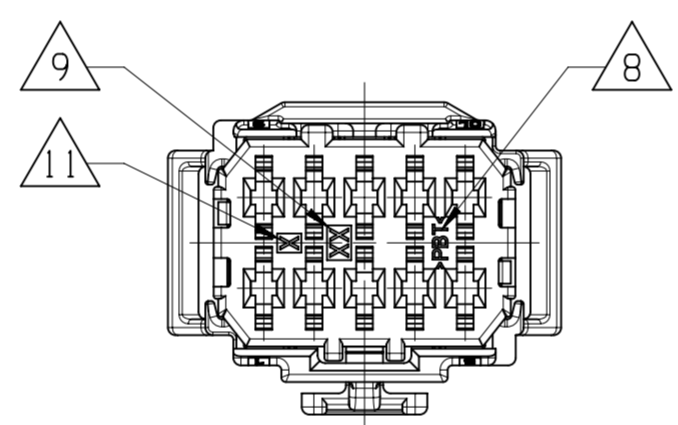
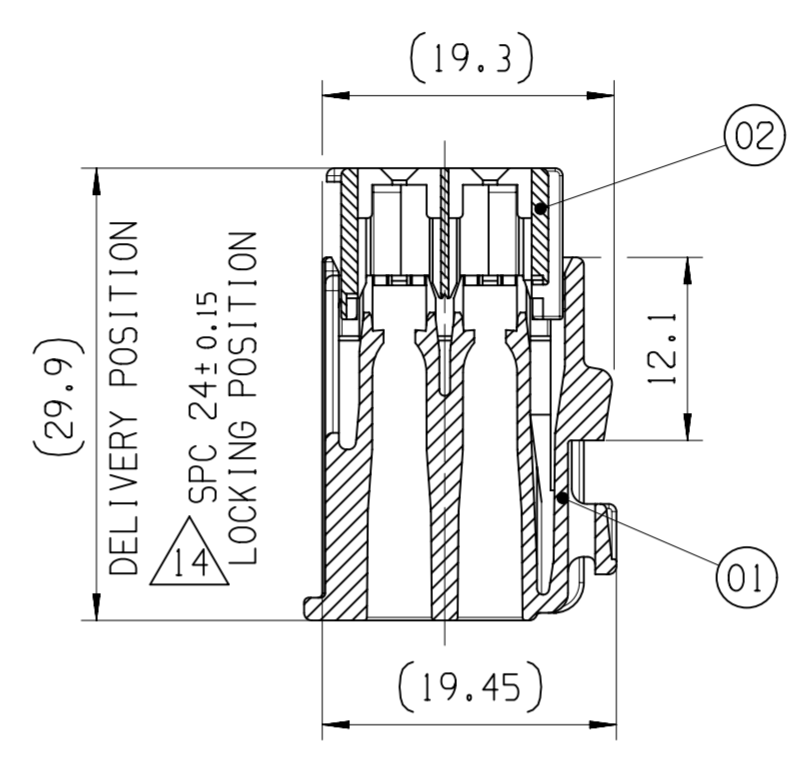


VIEW F

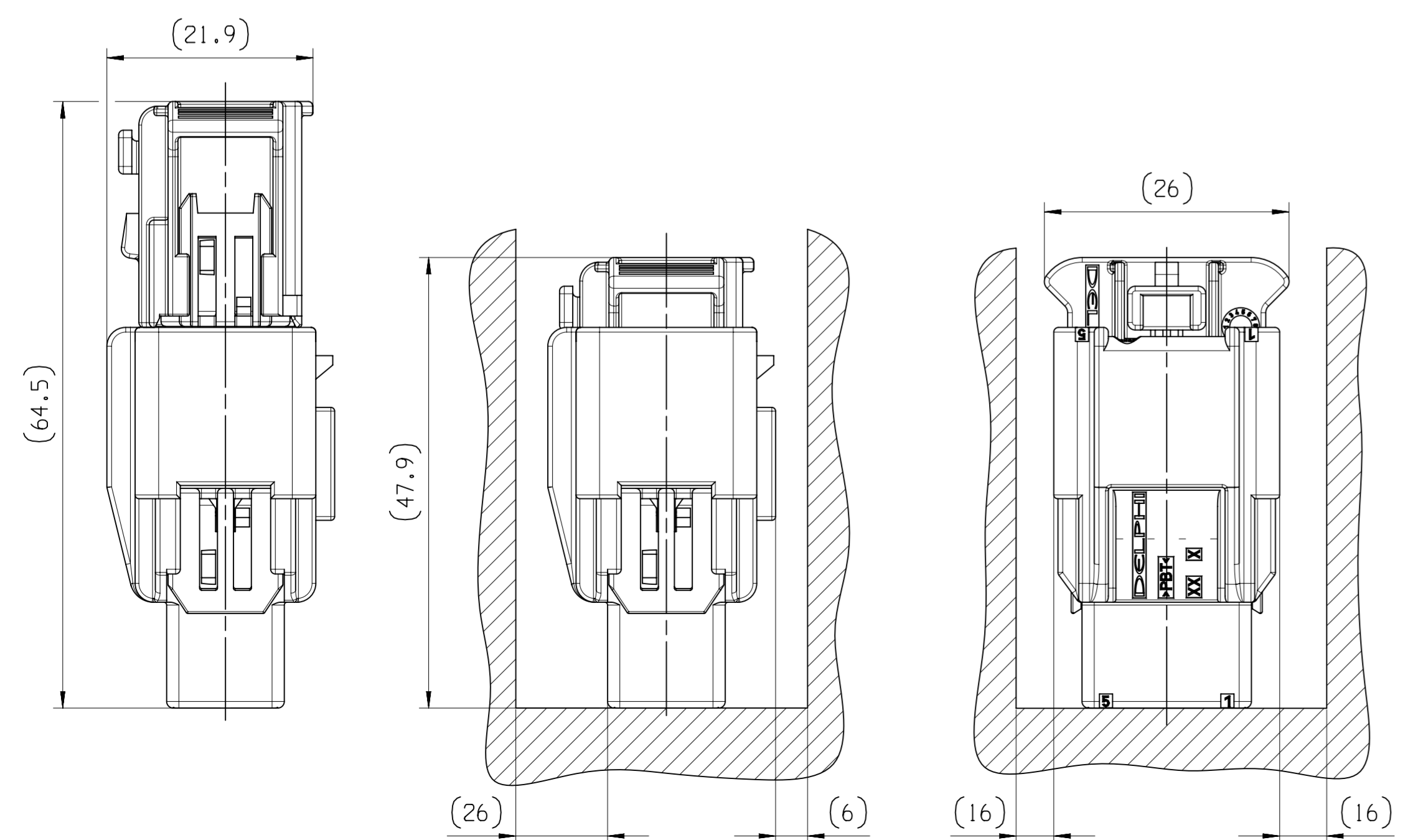
BLACK	COLOR
13800082	APTIV PART NUMBER
01	APTIV PART REVISION



SECTION A-A



OVERALL DIMENSION FOR MOUNTABILITY

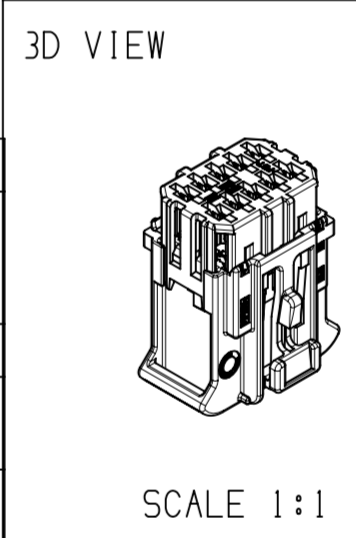


ASSOCIATED PARTS (FOR INFORMATION)		
SECTION	SICMA 1.5 FEMALE TERMINAL	INSULATION DIAMETER OF WIRE
0.35 - 0.75 mm ²	10740374	1.2-1.9
1.35 - 2 mm ²	10863985	2.1-2.8

POS.	DESCRIPTION	APTIV PART NUMBER	MATERIAL	COLOR
02	PLR	13800076	PBT	ORANGE
01	FEMALE HOUSING	13800024	PBT	BLACK

NOTE	SPECIFICATIONS
1	FEMALE CONNECTOR ACCORDING TO: -TEMPERATURE CLASS T2 -ENGINE VIBRATOR CLASS V1
2	USER'S MANUAL: 13800084-CUS72
3	FEMALE CONNECTOR AND CAVITY'S POSITION ACCORDING TO: 13800052-CUS03
4	WIRE DIAMETER 0.35-0.75mm ² MINI= Ø 1.2 MAXI= Ø 1.9 1.35-2.0mm ² MINI= Ø 2.1 MAXI= Ø 2.8
5	DELIVERY CONNECTOR WEIGHT : 5.15g
6	NO WAFER HINGE OR WAFER HINGE BROKEN ALLOWED
7	VISUAL DEFECTS ON NO FUNCTIONAL AREAS ALLOWED
8	MATERIAL CODE
9	TOOL CAVITY NUMBER
10	PART CAVITY NUMBER
11	INDEX REPLACEMENT INSERT
12	DATE STAMP MONTH/YEAR
13	DELPHI LOGO
14	SPC: STATISTICAL PROCESS CONTROL

DWG STATUS				REVISION HISTORY				AUTH		DR		APVD	
DATE	STG	REV	N/P/CHG	ZONE	DATE	REV	BY	DATE	BY	DATE	BY	DATE	BY
050C20	R	01									P.BAL	M.SKR	M.SKR



DWG TYP	PART DRAWING	DISTR CODE	D
WEIGHT (GR)	SEE NOTE		
VOLUME (CM ³)	---		
ROUTING			

UNLESS OTHERWISE SPECIFIED
GENERAL TOLERANCES ACCORDING TO:
SEE CHART
GD&T ACCORDING TO:
ISO 1101

• APTIV •
CONNECTION SYSTEMS
Chennai, India
COPYRIGHT 2020 APTIV. ALL RIGHTS RESERVED.
THIS DRAWING IS THE PROPERTY OF APTIV AND CONTAINS APTIV CONFIDENTIAL INFORMATION. THE REPRODUCTION, DISTRIBUTION AND UTILIZATION OF THIS DOCUMENT OR ITS RELATED CAD MATH DATA, AS WELL AS COMMUNICATION OF ANY CONTENT TO OTHERS, WITHOUT EXPRESS AUTHORIZATION, IS PROHIBITED.

	DATE
DR	P.BALAJI
APVD1	M.SIKORA
APVD2	M.SIKORA
APVD3	050C20
APVD4	050C20
APVD5	050C20

SUBSTANCES OF CONCERN AND RECYCLED CONTENT PER APTIV 10949001			
MATERIAL			
SEE TABLE			
DRAWING NAME FEMALE CONNECTOR 10WAY UNSEALED SICMA 1.5			
DRAWING NUMBER 13800084			
SIZE	SCALE	FRAME NO	SHEET NO
A1	2:1	1 OF 1	1 OF 1
		STG	REV
		R	01

DIM TO CHECK	DIMENSIONAL RANGE (MM)	TOLERANCE UNLESS OTHERWISE SPECIFIED	CHART	EL
() DIM FOR HELP	FROM > 0 TO > 20	> 20	> 30	> 70
() THEORETIC DIM	> 20 TO > 30	> 30 TO > 70	> 70 TO > 100	> 100 TO > 150
	> 30 TO > 70	> 70 TO > 100	> 100 TO > 150	> 150 TO > 200
	> 70 TO > 100	> 100 TO > 150	> 150 TO > 200	> 200 TO > 250
	> 100 TO > 150	> 150 TO > 200	> 200 TO > 250	> 250 TO > 300
	> 150 TO > 200	> 200 TO > 250	> 250 TO > 300	> 300 TO > 400
	> 200 TO > 250	> 250 TO > 300	> 300 TO > 400	> 400 TO > 500
	> 250 TO > 300	> 300 TO > 400	> 400 TO > 500	> 500 TO > 600
	> 300 TO > 400	> 400 TO > 500	> 500 TO > 600	> 600 TO > 700
	> 400 TO > 500	> 500 TO > 600	> 600 TO > 700	> 700 TO > 800
	> 500 TO > 600	> 600 TO > 700	> 700 TO > 800	> 800 TO > 900
	> 600 TO > 700	> 700 TO > 800	> 800 TO > 900	> 900 TO > 1000
	> 700 TO > 800	> 800 TO > 900	> 900 TO > 1000	> 1000 TO > 1500
	> 800 TO > 900	> 900 TO > 1000	> 1000 TO > 1500	> 1500 TO > 2000
	> 900 TO > 1000	> 1000 TO > 1500	> 1500 TO > 2000	> 2000 TO > 3000
	> 1000 TO > 1500	> 1500 TO > 2000	> 2000 TO > 3000	> 3000 TO > 4000
	> 1500 TO > 2000	> 2000 TO > 3000	> 3000 TO > 4000	> 4000 TO > 5000
	> 2000 TO > 3000	> 3000 TO > 4000	> 4000 TO > 5000	> 5000 TO > 6000
	> 3000 TO > 4000	> 4000 TO > 5000	> 5000 TO > 6000	> 6000 TO > 7000
	> 4000 TO > 5000	> 5000 TO > 6000	> 6000 TO > 7000	> 7000 TO > 8000
	> 5000 TO > 6000	> 6000 TO > 7000	> 7000 TO > 8000	> 8000 TO > 9000
	> 6000 TO > 7000	> 7000 TO > 8000	> 8000 TO > 9000	> 9000 TO > 10000
	> 7000 TO > 8000	> 8000 TO > 9000	> 9000 TO > 10000	> 10000 TO > 15000
	> 8000 TO > 9000	> 9000 TO > 10000	> 10000 TO > 15000	> 15000 TO > 20000
	> 9000 TO > 10000	> 10000 TO > 15000	> 15000 TO > 20000	> 20000 TO > 30000
	> 10000 TO > 15000	> 15000 TO > 20000	> 20000 TO > 30000	> 30000 TO > 40000
	> 15000 TO > 20000	> 20000 TO > 30000	> 30000 TO > 40000	> 40000 TO > 50000
	> 20000 TO > 30000	> 30000 TO > 40000	> 40000 TO > 50000	> 50000 TO > 60000
	> 30000 TO > 40000	> 40000 TO > 50000	> 50000 TO > 60000	> 60000 TO > 70000
	> 40000 TO > 50000	> 50000 TO > 60000	> 60000 TO > 70000	> 70000 TO > 80000
	> 50000 TO > 60000	> 60000 TO > 70000	> 70000 TO > 80000	> 80000 TO > 90000
	> 60000 TO > 70000	> 70000 TO > 80000	> 80000 TO > 90000	> 90000 TO > 100000
	> 70000 TO > 80000	> 80000 TO > 90000	> 90000 TO > 100000	> 100000 TO > 150000
	> 80000 TO > 90000	> 90000 TO > 100000	> 100000 TO > 150000	> 150000 TO > 200000
	> 90000 TO > 100000	> 100000 TO > 150000	> 150000 TO > 200000	> 200000 TO > 300000
	> 100000 TO > 150000	> 150000 TO > 200000	> 200000 TO > 300000	> 300000 TO > 400000
	> 150000 TO > 200000	> 200000 TO > 300000	> 300000 TO > 400000	> 400000 TO > 500000
	> 200000 TO > 300000	> 300000 TO > 400000	> 400000 TO > 500000	> 500000 TO > 600000
	> 300000 TO > 400000	> 400000 TO > 500000	> 500000 TO > 600000	> 600000 TO > 700000
	> 400000 TO > 500000	> 500000 TO > 600000	> 600000 TO > 700000	> 700000 TO > 800000
	> 500000 TO > 600000	> 600000 TO > 700000	> 700000 TO > 800000	> 800000 TO > 900000
	> 600000 TO > 700000	> 700000 TO > 800000	> 800000 TO > 900000	> 900000 TO > 1000000
	> 700000 TO > 800000	> 800000 TO > 900000	> 900000 TO > 1000000	> 1000000 TO > 1500000
	> 800000 TO > 900000	> 900000 TO > 1000000	> 1000000 TO > 1500000	> 1500000 TO > 2000000
	> 900000 TO > 1000000	> 1000000 TO > 1500000	> 1500000 TO > 2000000	> 2000000 TO > 3000000
	> 1000000 TO > 1500000	> 1500000 TO > 2000000	> 2000000 TO > 3000000	> 3000000 TO > 4000000
	> 1500000 TO > 2000000	> 2000000 TO > 3000000	> 3000000 TO > 4000000	> 4000000 TO > 5000000
	> 2000000 TO > 3000000	> 3000000 TO > 4000000	> 4000000 TO > 5000000	> 5000000 TO > 6000000
	> 3000000 TO > 4000000	> 4000000 TO > 5000000	> 5000000 TO > 6000000	> 6000000 TO > 7000000
	> 4000000 TO > 5000000	> 5000000 TO > 6000000	> 6000000 TO > 7000000	> 7000000 TO > 8000000
	> 5000000 TO > 6000000	> 6000000 TO > 7000000	> 7000000 TO > 8000000	> 8000000 TO > 9000000
	> 6000000 TO > 7000000	> 7000000 TO > 8000000	> 8000000 TO > 9000000	> 9000000 TO > 10000000
	> 7000000 TO > 8000000	> 8000000 TO > 9000000	> 9000000 TO > 10000000	> 10000000 TO > 15000000
	> 8000000 TO > 9000000	> 9000000 TO > 10000000	> 10000000 TO > 15000000	> 15000000 TO > 20000000
	> 9000000 TO > 10000000	> 10000000 TO > 15000000	> 15000000 TO > 20000000	> 20000000 TO > 30000000
	> 10000000 TO > 15000000	> 15000000 TO > 20000000	> 20000000 TO > 30000000	> 30000000 TO > 40000000
	> 15000000 TO > 20000000	> 20000000 TO > 30000000	> 30000000 TO > 40000000	> 40000000 TO > 50000000
	> 20000000 TO > 30000000	> 30000000 TO > 40000000	> 40000000 TO > 50000000	> 50000000 TO > 60000000
	> 30000000 TO > 40000000	> 40000000 TO > 50000000	> 50000000 TO > 60000000	> 60000000 TO > 70000000
	> 40000000 TO > 50000000	> 50000000 TO > 60000000	> 60000000 TO > 70000000	> 70000000 TO > 80000000
	> 50000000 TO > 60000000	> 60000000 TO > 70000000	> 70000000 TO > 80000000	> 80000000 TO > 90000000
	> 60000000 TO > 70000000	> 70000000 TO > 80000000	> 80000000 TO > 90000000	> 90000000 TO > 100000000
	> 70000000 TO > 80000000	> 80000000 TO > 90000000	> 90000000 TO > 100000000	> 100000000 TO > 150000000
	> 80000000 TO > 90000000	> 90000000 TO > 100000000	> 100000000 TO > 150000000	> 150000000 TO > 200000000
	> 90000000 TO > 100000000	> 100000000 TO > 150000000	> 150000000 TO > 200000000	> 200000000 TO > 300000000
	> 100000000 TO > 150000000	> 150000000 TO > 200000000	> 200000000 TO > 300000000	> 300000000 TO > 400000000
	> 150000000 TO > 200000000	> 200000000 TO > 300000000	> 300000000 TO > 400000000	> 400000000 TO > 500000000
	> 200000000 TO > 300000000	> 300000000 TO > 400000000	> 400000000 TO > 500000000	> 500000000 TO > 600000000
	> 300000000 TO > 400000000	> 400000000 TO > 500000000	> 500000000 TO > 600000000	> 600000000 TO > 700000000
	> 400000000 TO > 500000000	> 500000000 TO > 600000000	> 600000000 TO > 700000000	> 700000000 TO > 800000000
	> 500000000 TO > 600000000	> 600000000 TO > 700000000	> 700000000 TO > 800000000	> 800000000 TO > 900000000
	> 600000000 TO > 700000000	> 700000000 TO > 800000000	> 800000000 TO > 900000000	> 900000000 TO > 1000000000
	> 700000000 TO > 800000000	> 800000000 TO > 900000000	> 900000000 TO > 1000000000	> 1000000000 TO > 1500000000
	> 800000000 TO > 900000000	> 900000000 TO > 1000000000	> 1000000000 TO > 1500000000	> 1500000000 TO > 2000000000
	> 900000000 TO > 1000000000	> 1000000000 TO > 1500000000	> 1500000000 TO > 2000000000	> 2000000000 TO > 3000000000
	> 1000000000 TO > 1500000000	> 1500000000 TO > 2000000000	> 2000000000 TO > 3000000000	> 3000000000 TO > 4000000000
	> 1500000000 TO > 2000000000	> 2000000000 TO > 3000000000	> 3000000000 TO > 4000000000	> 4000000000 TO > 5000000000
	> 2000000000 TO > 3000000000	> 3000000000 TO > 4000000000	> 4000000000 TO > 5000000000	&