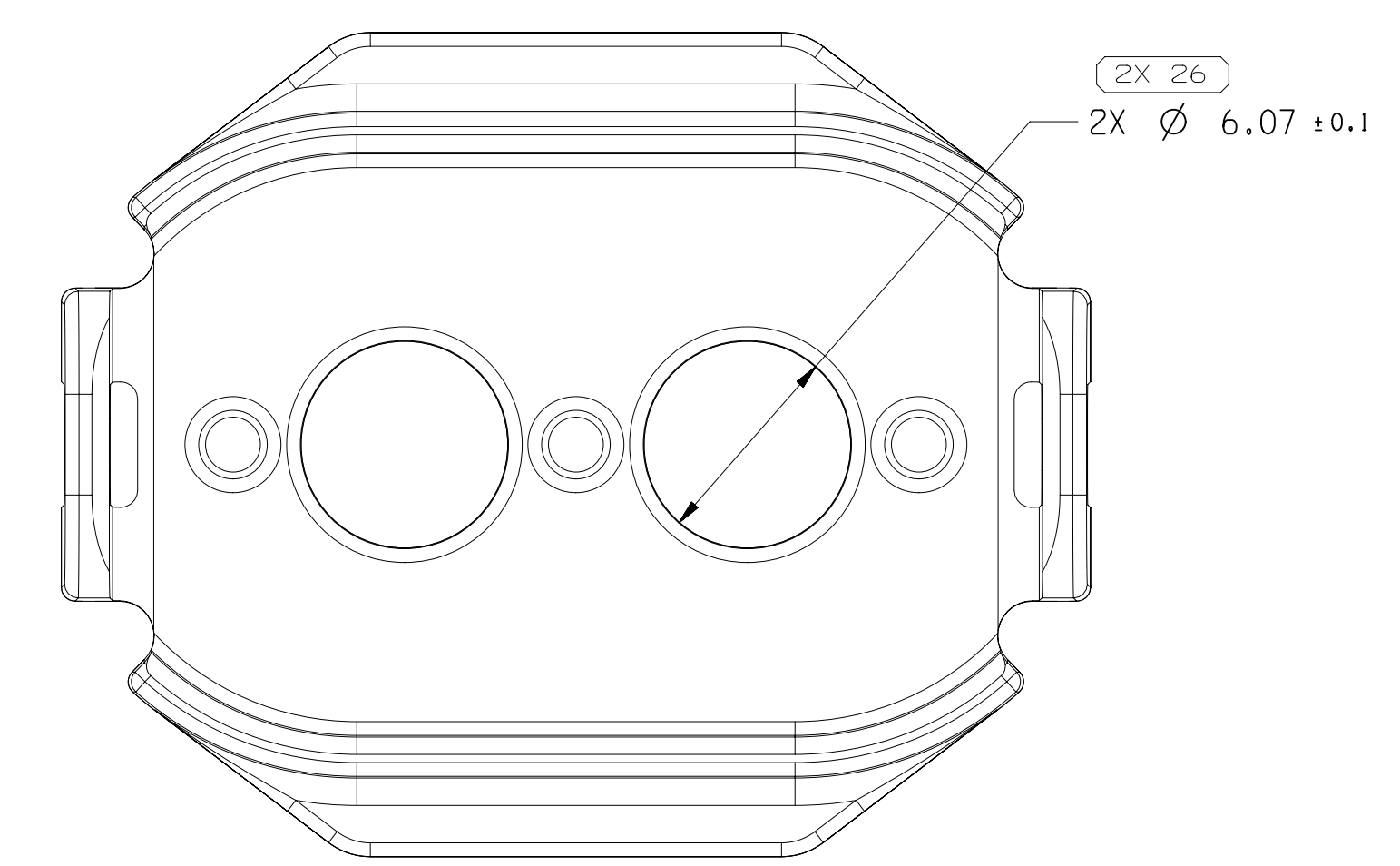
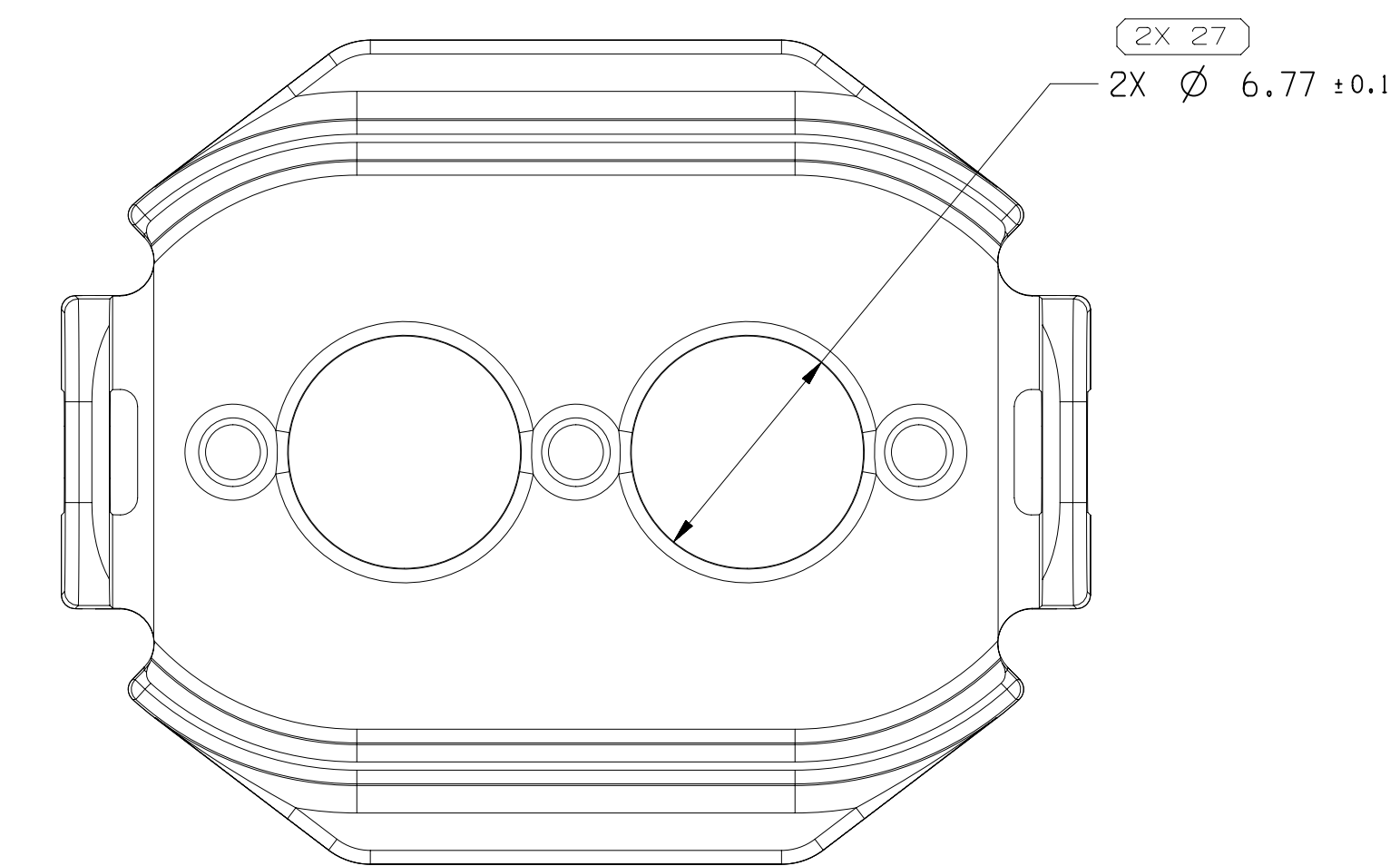


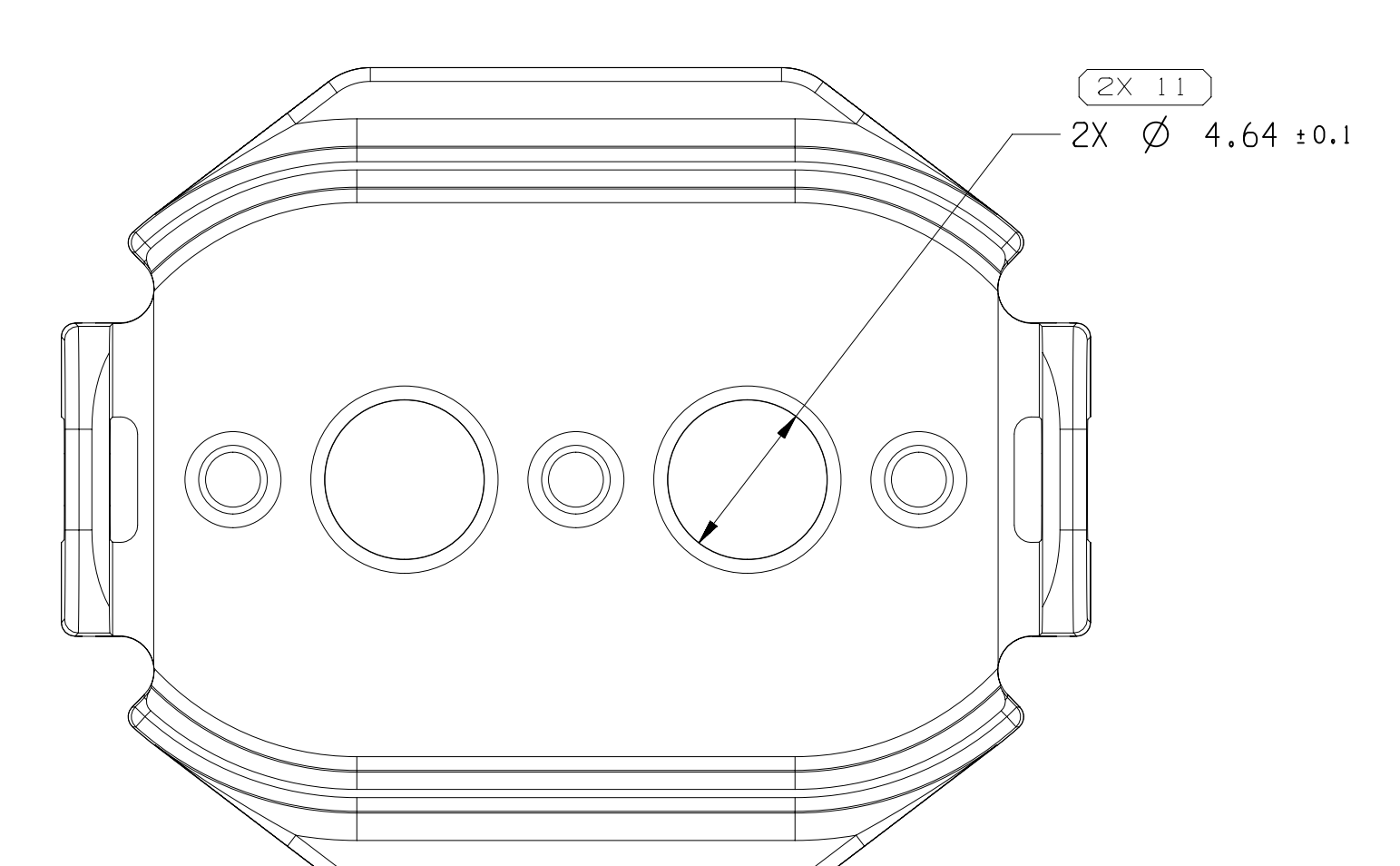
TYPE 106
SAME AS TYPE 101
EXCEPT AS SHOWN



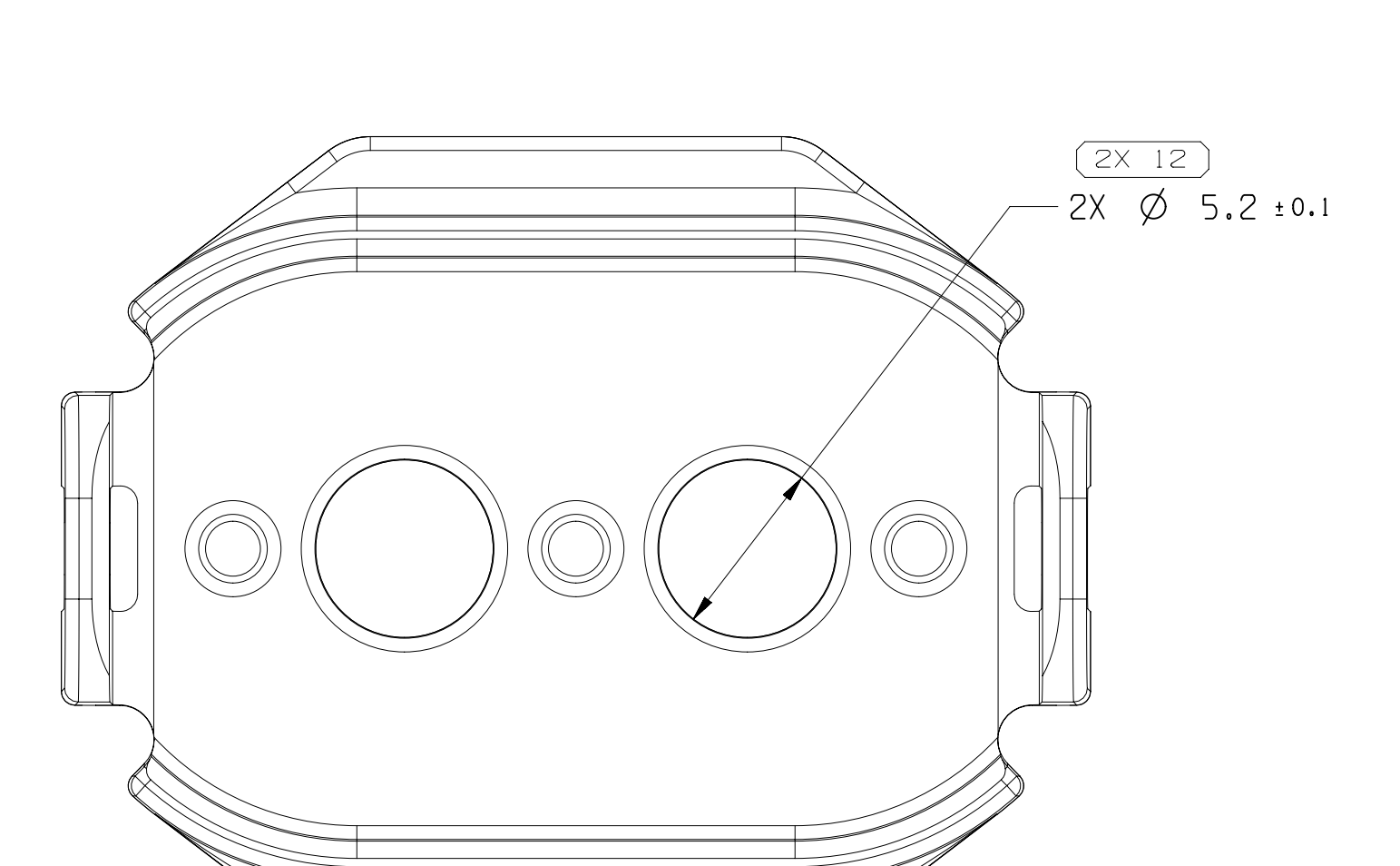
TYPE 105
SAME AS TYPE 101
EXCEPT AS SHOWN



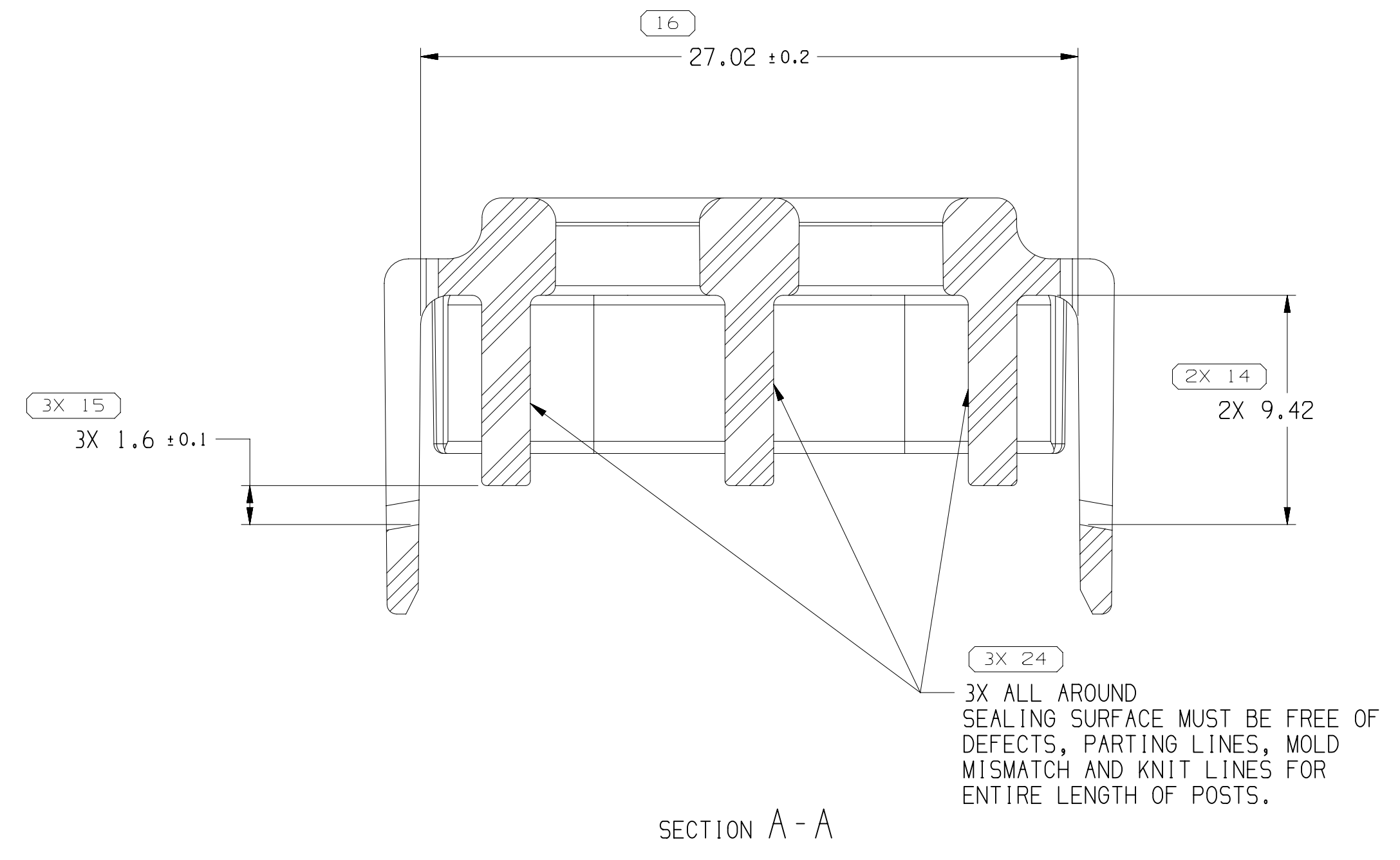
TYPE 104
SAME AS TYPE 101
EXCEPT AS SHOWN



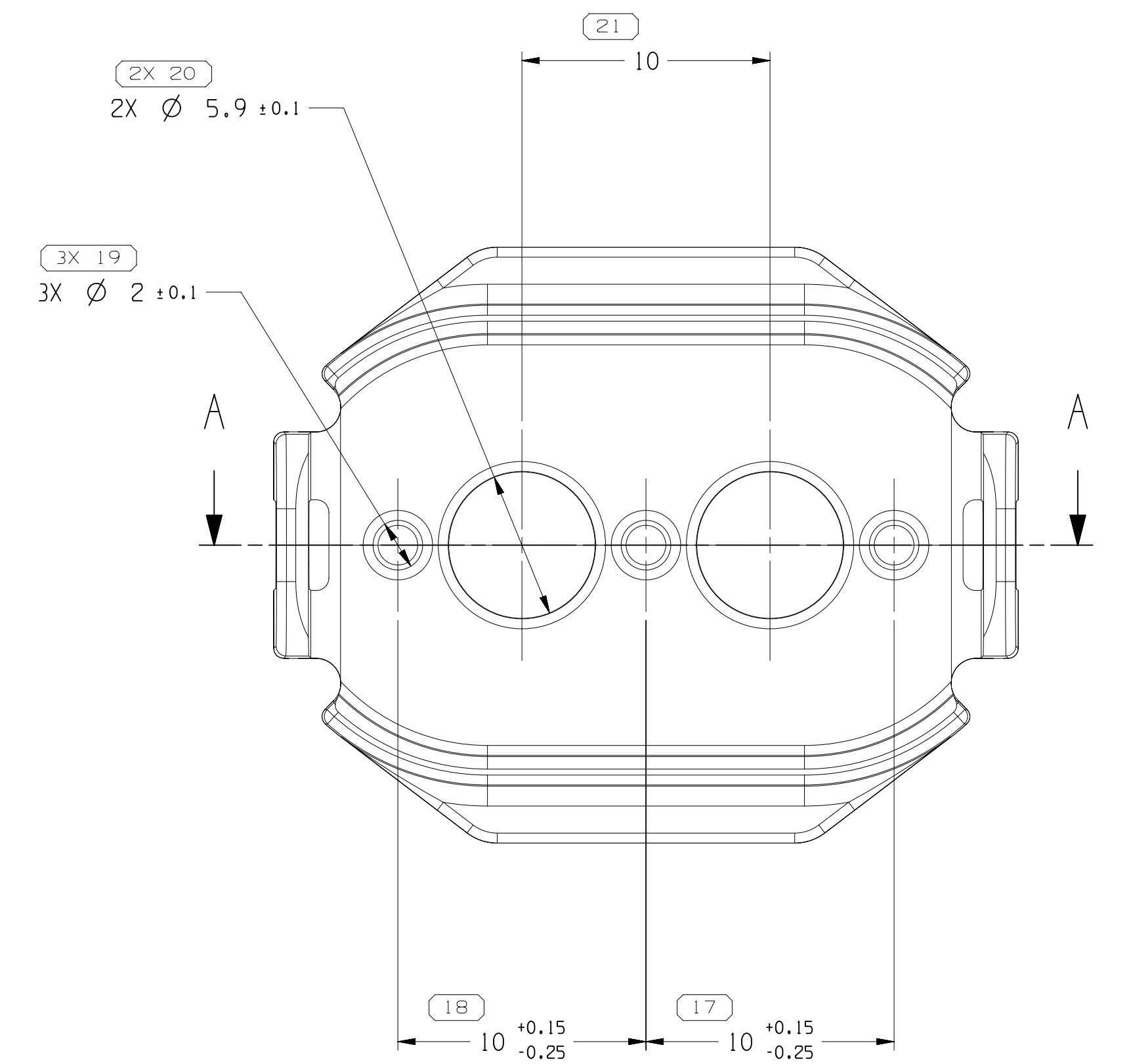
TYPE 103
SAME AS TYPE 101
EXCEPT AS SHOWN



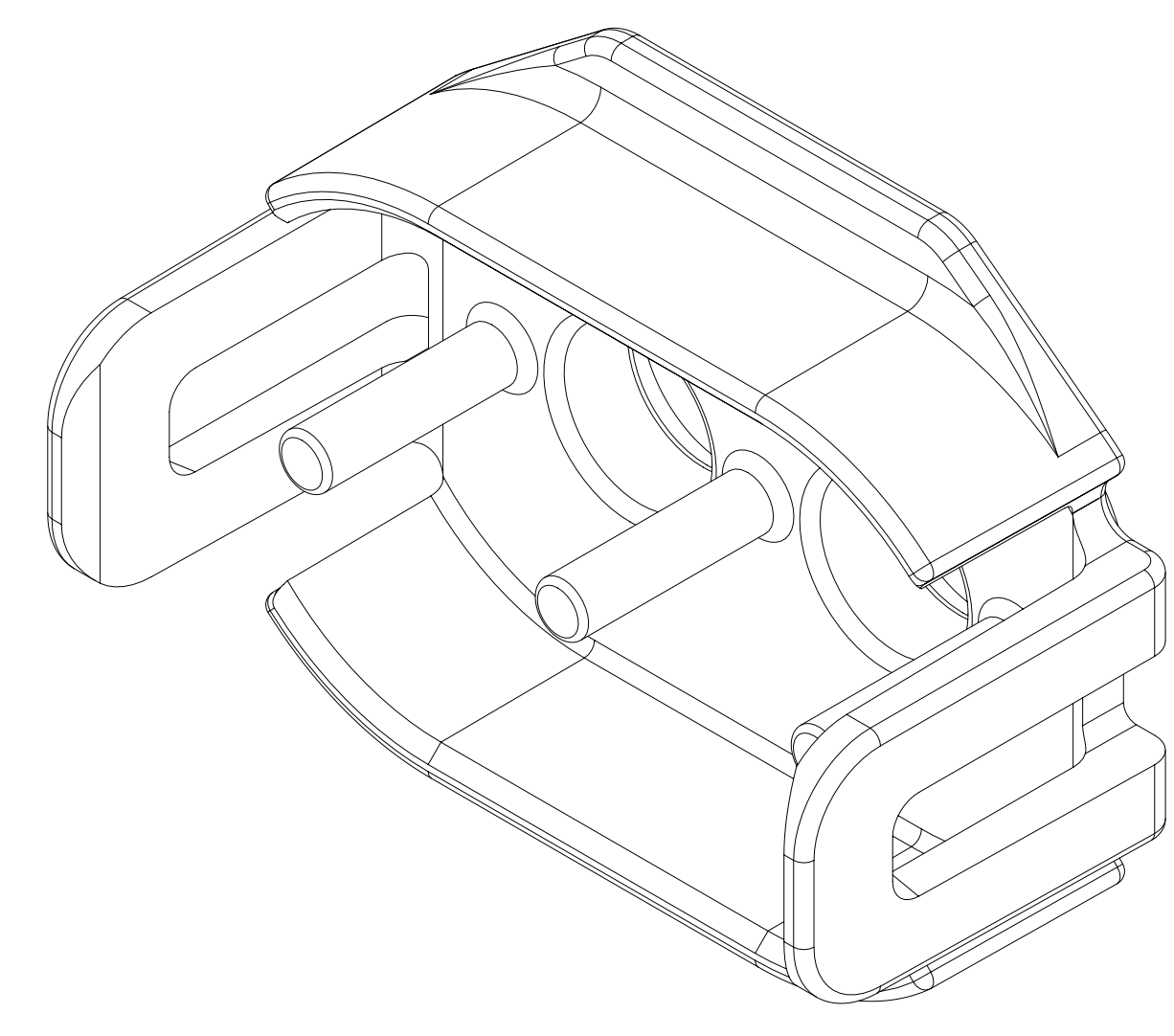
TYPE 102
SAME AS TYPE 101
EXCEPT AS SHOWN



SECTION A - A



TYPE 101



SYMBOL DEFINITION		TOTAL NO OF INSPECTIONS REQUIRED	31
A DIMENSION WITHOUT AN INSPECTION REPORT SYMBOL DOES NOT REQUIRE INSPECTION. IT MAY BE CONTROLLED ON THE INDIVIDUAL COMPONENT DRAWING.		LAST NO. USED	27

MISSING SYMBOLS		1 - 10							
DATE	STG	REV	CHG	ZONE	REVISION HISTORY	AUTH	DR	APVD	APVD
02JN10	R	01	-	-	ALL PARTS-CREATED PART DRAWING	410951	LLJ	LLJ	NL
15JN10	R	02	-	-	ALL PARTS-PROCESS SENSITIVE DIMENSION WAS DIM 16	411098	LLJ	LLJ	NL
22JL10	R	03	-	-	UPDATED PDM ATTRIBUTES	411376	LLJ	LLJ	NL
17NO10	R	04	-	-	ALL PARTS-DIM 15 WAS 2.2, ADDED MATERIAL 2 PLACES & ADDED DIMS 23-24, REMOVED SEAL SURFACE NOTE.	412644	LLJ	LLJ	NL
05AU11	R	05	-	-	ADDED TYPES 104-106 & DIMS 25-27. TYPES 101, 102 & 103-RELOCATED DIM 16.	414310	LLJ	LLJ	NL
14MR12	R	06	-	-	ALL PARTS-DIM 16 WAS 27.02 ± 0.18.	417474	LLJ	LLJ	NL
25JN12	R	07	-	-	ALL PARTS-ADDED APPLICABLE CABLE SEAL TO CHART.	418535	LLJ	LLJ	NL
18FE19	R	08	-	-	ALL PARTS - 10 ±0.15/-0.25 WAS 1012 PLCS AND REMOVED WIRE TYPE DESIGNATION FROM BOM CHART	442449	LVD	JAA	TAV
18MY22	R	09	-	-	ALL PARTS - ADDED SELECT THE LOCK RETAINER NOTE, REMOVED SHIELDED, JACKETED CABLE SIZE & APPLICABLE CABLE SEAL, OR EQUIVALENT COLUMN FROM BOM CHART, REVISED CABLE OD COLUMN	557457	ESG	LXA	TAG

PART NO	REV	N/P	TYPE	MATERIAL SPECIFICATION	VOL (CM³)	MAX CABLE OD (SEE NOTE 4)
13888073	01	AD	106	POLYESTER COMPOUND RED	1.915	5.67
13888072	01	AD	105	POLYESTER COMPOUND GRN	1.892	5.97
13888071	01	AD	104	POLYESTER COMPOUND NAT	1.831	6.67
13824780	03	AD	103	POLYESTER COMPOUND GRA	1.986	4.54
13824779	03	AD	102	POLYESTER COMPOUND ORANGE	1.953	5.10
13824778	03	AD	101	POLYESTER COMPOUND BLK	1.902	5.80

- NOTES
- UNLESS OTHERWISE SPECIFIED AND/OR INDICATED:
DIMENSIONS ARE TO FACE OF VIEW SHOWN AND AUTOMATICALLY ROUNDED BY COMPUTER FOR INSPECTION (SEE MATH MODEL FOR PRECISE DIMENSIONS). FOR ALL OTHER DIMENSIONS NOT SHOWN BUT REQUIRED FOR TOOL BUILD, SEE MATH MODEL FOR PRECISE TOOL PATH DATA.
 - PARTS SHOWN ON THIS DRAWING USED IN ASSEMBLIES SHOWN ON TAXI 13830164.
 - CORPORATE BRAND TO BE APPLIED TO PRODUCT DESIGN PER THE LATEST REVISION OF ESD S1085201.
 - SELECT THE LOCK RETAINER THAT PROVIDES THE CLOSEST FIT TO ACTUAL CABLE OD.

DIMENSIONAL RANGE (MM)	TOLERANCE UNLESS OTHERWISE SPECIFIED	CHART	ET
FROM 0 TO >20	±0.25	1	1
>20 TO >30	±0.30	2	2
>30 TO >70	±0.40	3	3
>70 TO >100	±0.50	4	4
>100 TO >150	±0.60	5	5
>150 TO >200	±0.70	6	6
>200 TO >250	±0.80	7	7
>250 TO >300	±1.00	8	8
>300 TO >400	±1.20	9	9

APTIV
CONNECTION SYSTEMS
WARREN, OH
COPYRIGHT 2010 APTIV. ALL RIGHTS RESERVED.

THIS DRAWING IS THE PROPERTY OF APTIV AND CONTAINS APTIV CONFIDENTIAL INFORMATION. THE REPRODUCTION, DISTRIBUTION AND UTILIZATION OF THIS DOCUMENT OR ITS RELATED CAD DATA, AS WELL AS COMMUNICATION OF ANY CONTENT TO OTHERS, WITHOUT EXPRESS AUTHORIZATION, IS PROHIBITED.

DR	DATE
APVD1 L. JONES	02JN10
APVD2 L. JONES	02JN10
APVD3 N. LIPTAK	02JN10
APVD4	
APVD5	

UNLESS OTHERWISE SPECIFIED
THIS DOCUMENT IS IN ACCORDANCE WITH ASME Y14.5M-1994 AS MODIFIED BY THE 2003 GLOBAL DIMENSIONING AND TOLERANCING ADDENDUM-2003. SEPARATE PATTERNING OF FEATURES MAY BE ORDERED SEPARATELY, REGARDLESS OF DATUM REFERENCES.

ALL DIMENSIONS ARE IN MILLIMETERS

THIRD ANGLE PROJECTION

DO NOT SCALE USE MATH DATA

REFERENCE

DRAWING NUMBER: 13830200

SIZE: A0 SCALE: 5:1 FRAME NO: 1 OF 1 SHEET NO: 1 OF 1 STG: REC: 03