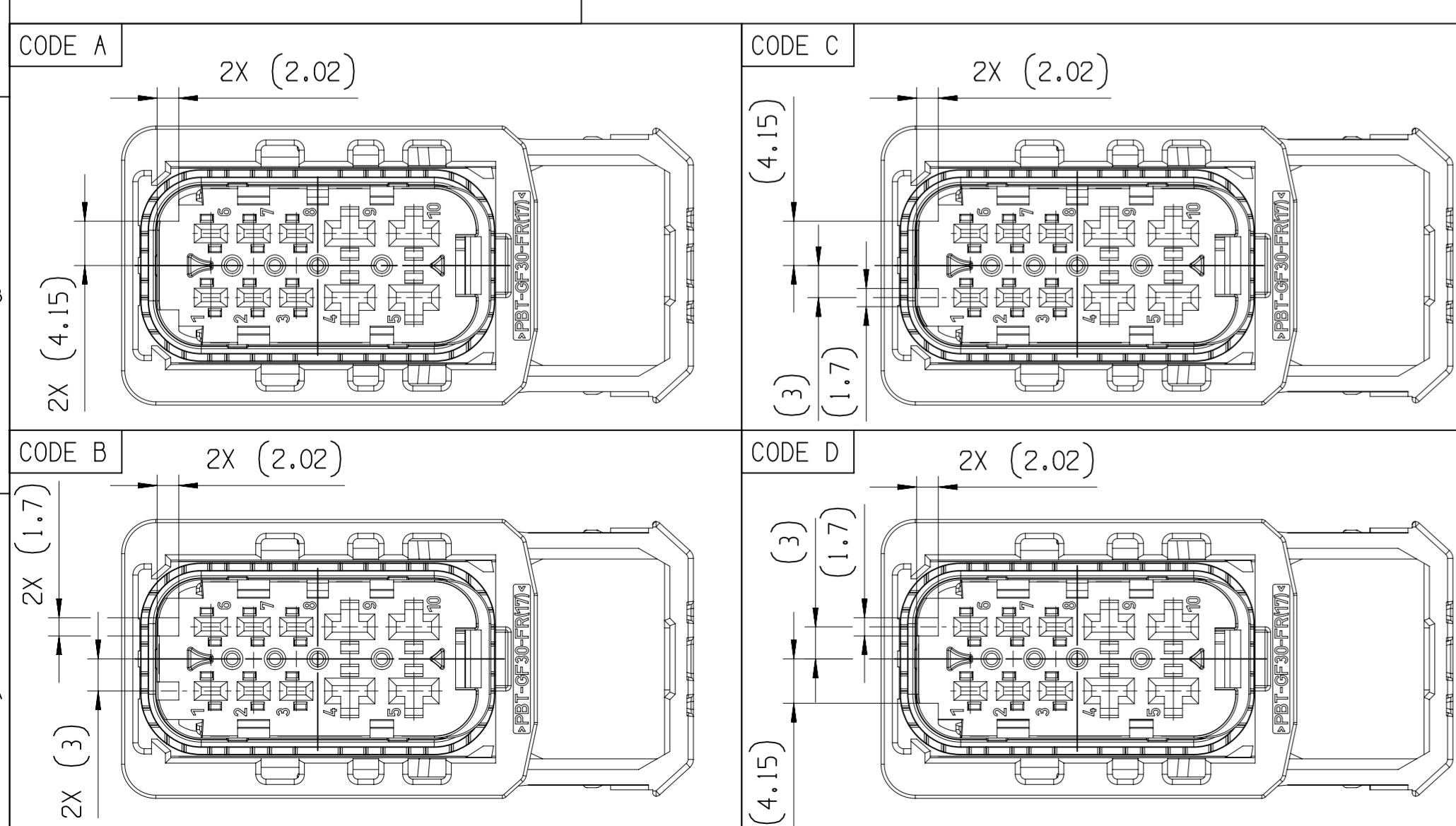
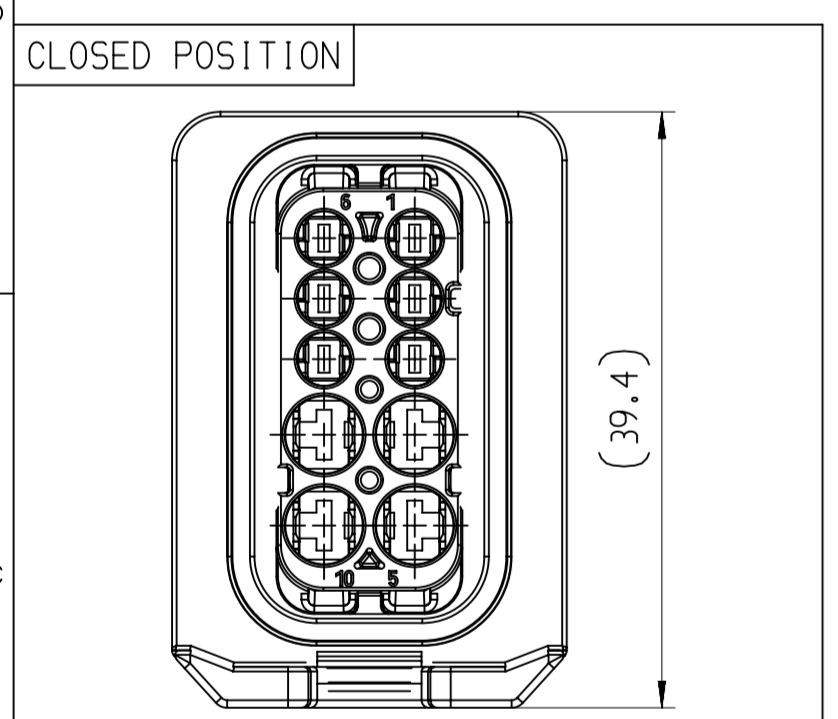
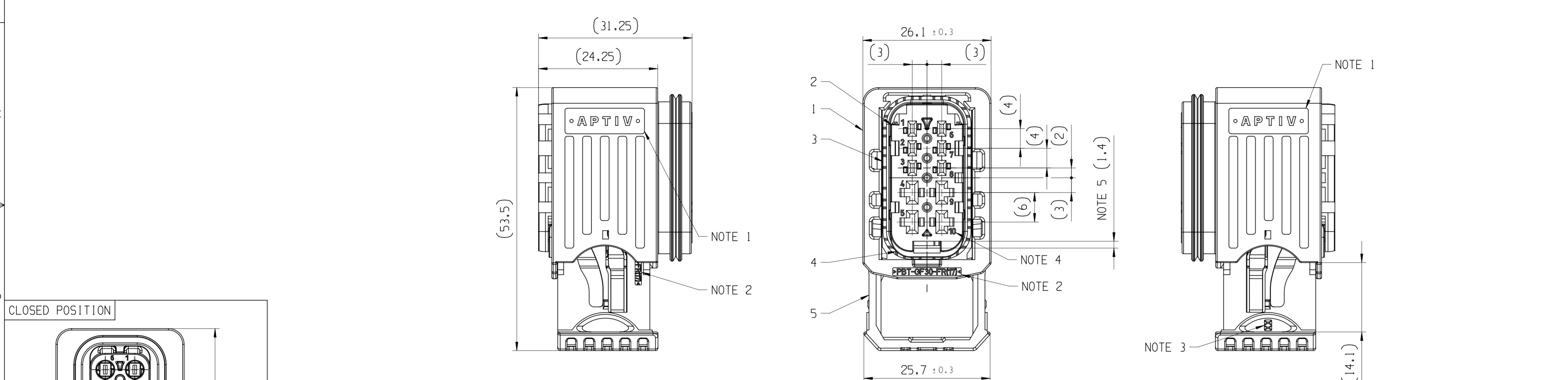


POSITION	1				2				3		4		5		3		2		1						
	HOUSING				INSERT				HOUSING SEAL		SECONDARY LOCK		SLIDER		DWG STATUS		REVISION HISTORY		AUTH	DR	APVD 1	APVD 2			
NAME															DATE	STG	REV	N/P	CHG	ZONE					
MATERIAL	PBT GF30 FR17	PBT GF30	PBT GF30 FR17				PBT GF30				LSR 50 SHORE	PBT GF30 FR17	PBT GF30	PBT GF30 FR17	PBT GF30	06DE18	R	01							
COLOR:	BLACK	BLACK	BLACK	GRAY	GREEN	BLUE	BLACK	GRAY	GREEN	BLUE	REDDISH-BROWN	ORANGE	YELLOW	ORANGE	YELLOW	15MR19	R	01	AA	B7					
PART-NO.:	33338835	33349754	33343453	33343455	33343476	33342253	33350062	33349758	33349757	33349770	33339449	33342247	33350092	33338837	33350047	11FE20	R	01	AB	G11 B6					

ASSEMBLY-NO.:	PART-REV	CODING	MATERIAL/WEIGHT
33344008	01	CODE A	ALL PARTS V0 / 25,1
33344013	01	CODE B	
33344014	01	CODE C	
33344017	01	CODE D	
33350438	01	CODE A	ALL PARTS NVO / 24,4
33350257	01	CODE B	
33350258	01	CODE C	
33350259	01	CODE D	

DATE	STG	REV	N/P	CHG	ZONE	REVISION HISTORY	AUTH	DR	APVD 1	APVD 2	
06DE18	R	01				INITIAL RELEASE			K.FAR	P.NAJ	M.GRU
11FE20	R	01	AA		B7	REFERENCE HELLERMANN TYTON DWG-NO. ADDED			K.FAR	M.GRU	K.PIT
					G11 B6	PART AVAILABILITY FOR PART NUMBERS 33350438, 33350257, 33350258, 33350259 UPDATED			P.NAJ	M.GRU	



NOTES

- ON MAIN VIEW ASSEMBLY 33344008 SHOWN (CODE A)
- DELIVERED CONDITION AS ON MAIN VIEWS - SECONDARY LOCK AND SLIDER IN OPEN POSITION

ASSEMBLY INSTRUCTION NO.:

- 35269106-CUS71 - PRELIMINARY ASSEMBLY
- 35269106-CUS72 - HARNESS ASSEMBLY
- 35269103-CUS73 - CAR ASSEMBLY
- 35269102-CUS73 - CAR ASSEMBLY

MATING PARTS:

- 10 WAY 1.5/2.8 MALE PANEL MOUNT ASM DWG-NO.: 35123478
- BACKSHELL 90 DEG APTIV DWG-NO.: 33390631 (HT DWG-NO.: 17-2276-001-CSG)
- BACKSHELL 180 DEG APTIV DWG-NO.: 33390632 (HT DWG-NO.: 17-1486-001-CSG)
- PROTECTION CAP APTIV DWG-NO.: 35149888 (HT DWG-NO.: 17-2267-001-CSG)

MATING TERMINAL SYSTEM:

- 1.5 TERMINAL DWG-NO.: 15432214
- MAX WIRE CROSS SECTION: 1.0MM²

RECOMMENDATION FOR 1.5 TERMINAL WITH WIRE CROSS SECTION 1.5MM² - USE COMBINATION:

- TE TERMINAL: MCP 1.5, DWG NO.: 1418884-3

SEAL: 964972-1

MAX INSULATION CRIMP DIMENSIONS:

- HEIGHT: 3.40; WIDTH: 3.30
- 2.8 TERMINAL DWG-NO.: 15446676
- MAX WIRE CROSS SECTION: 2.5MM²

1 APTIV LOGO

2 MATERIAL NAME ACCORDING TO VDA 260

3 TOOL CAVITY NUMBER

4 PART CAVITY NUMBER

5 MOVING DISTANCE OF SECONDARY LOCK

6 MOVING DISTANCE OF SLIDER

DIM TO CHECK	DIMENSIONAL RANGE (MM)	TOLERANCE UNLESS OTHERWISE SPECIFIED	CHART	EL
() DIM FOR HELP	FROM > 0 TO > 20	> 0	> 20	> 30
	> 20 TO > 30	+0.15	+0.2	+0.3
	> 30 TO > 70	+0.2	+0.3	+0.4
	> 70 TO > 100	+0.3	+0.4	+0.5
	> 100 TO > 150	+0.4	+0.5	+0.6
	> 150 TO > 200	+0.5	+0.6	+0.8
	> 200 TO > 250	+0.6	+0.8	+1
	> 250 TO > 300	+0.8	+1	+1.2
	> 300 TO > 400	+1	+1.2	+1.5

SHARP CORNER TOLERANCE

R 0.2 MAX

R 0.1 MAX

DO NOT SCALE

USE MATH DATA

SCALE: 1:1

DWG TYP: PART DRAWING

WEIGHT (GR): SEE CHART

VOLUME (CM³): ---

ROUTING: D

UNLESS OTHERWISE SPECIFIED

GENERAL TOLERANCES ACCORDING TO: SEE CHART

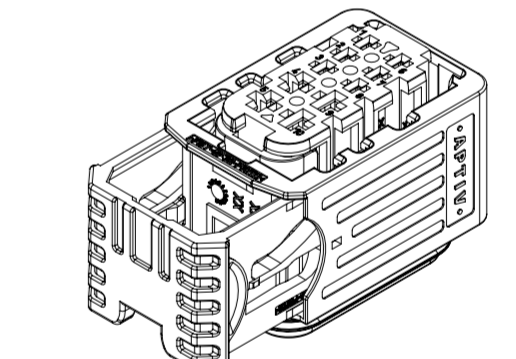
GD&T ACCORDING TO: ISO 1101

REFERENCE

FIRST ANGLE PROJECTION

DO NOT SCALE

USE MATH DATA



• APTIV •

CONNECTION SYSTEMS
KRAKOW, POLAND

COPYRIGHT 2018 APTIV. ALL RIGHTS RESERVED.

THIS DRAWING IS THE PROPERTY OF APTIV AND CONTAINS APTIV CONFIDENTIAL INFORMATION. THE REPRODUCTION, DISTRIBUTION AND UTILIZATION OF THIS DOCUMENT OR ITS RELATED CAD MATH DATA, AS WELL AS COMMUNICATION OF ANY CONTENT TO OTHERS, WITHOUT EXPRESS AUTHORIZATION, IS PROHIBITED.

TEN RYSUNEK JEST WLASNOSCIA APTIV I ZAWIERA POUFNE INFORMACJE POWIELANE, ROZPOWISZCZANIE I WYKORZYSTANIE TEGO DOKUMENTU LUB ZWIAZANYCH Z NIM DANYCH CAD, JAK ROWNIEZ PRZEKAZYWANIE INNYM JAKIEKOLWIEK ICH ZAWARTOSCI, BEZ NADANA WYRAZNYCH UPRAWNIEN, JEST ZABRONIONE.

DR	DATE
K.FARON	05DE18
P.NAJDUCH	06DE18
M.GRUDZEWSKI	07DE18

MATERIAL: SEE CHART

DRAWING NAME: 10 WAY 1.5/2.8 CTCS FEMALE ASSEMBLY

DRAWING NUMBER: 35123488

SIZE	SCALE	FRAME NO	SHEET NO	STG	REV	N/P	AB
A1	2:1	1 OF 1	1 OF 1	R	01		AB