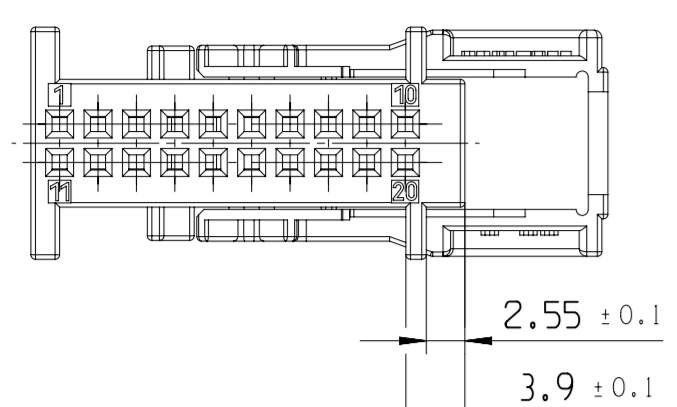
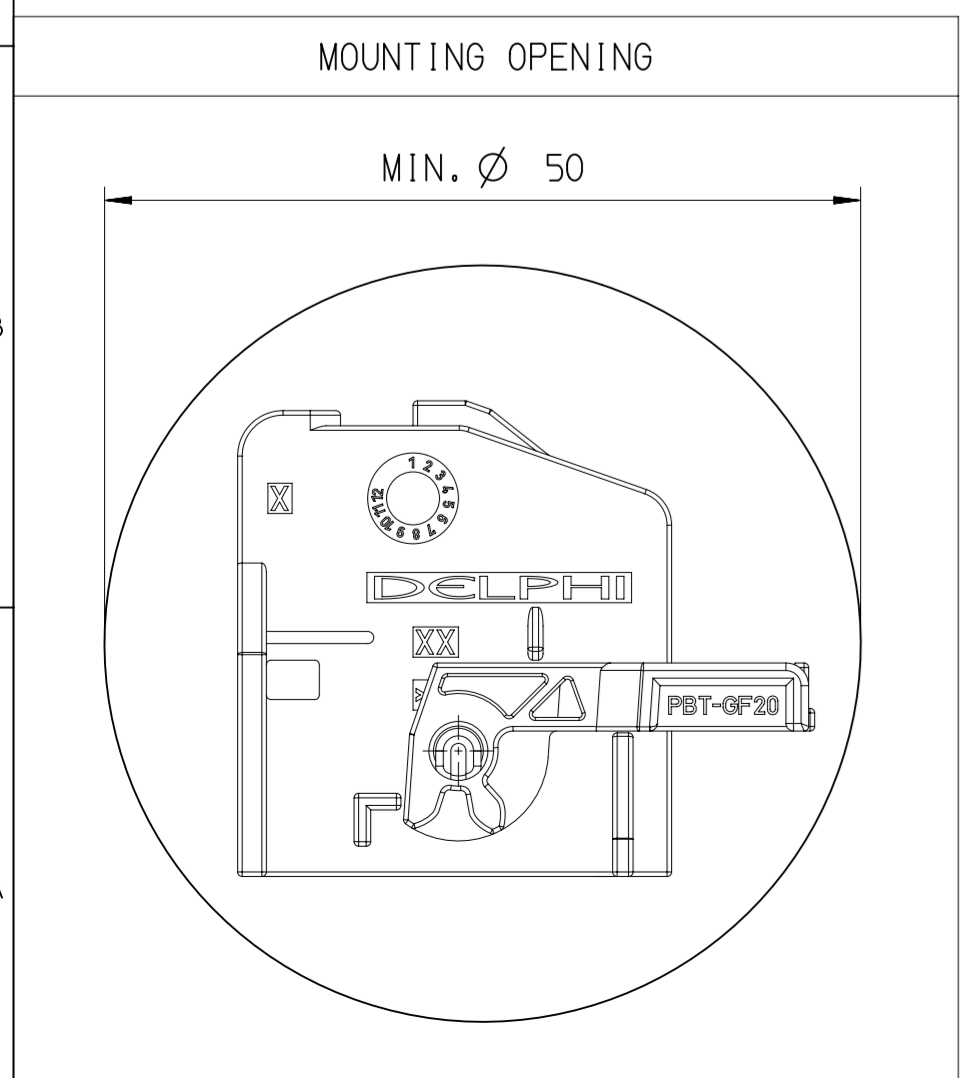
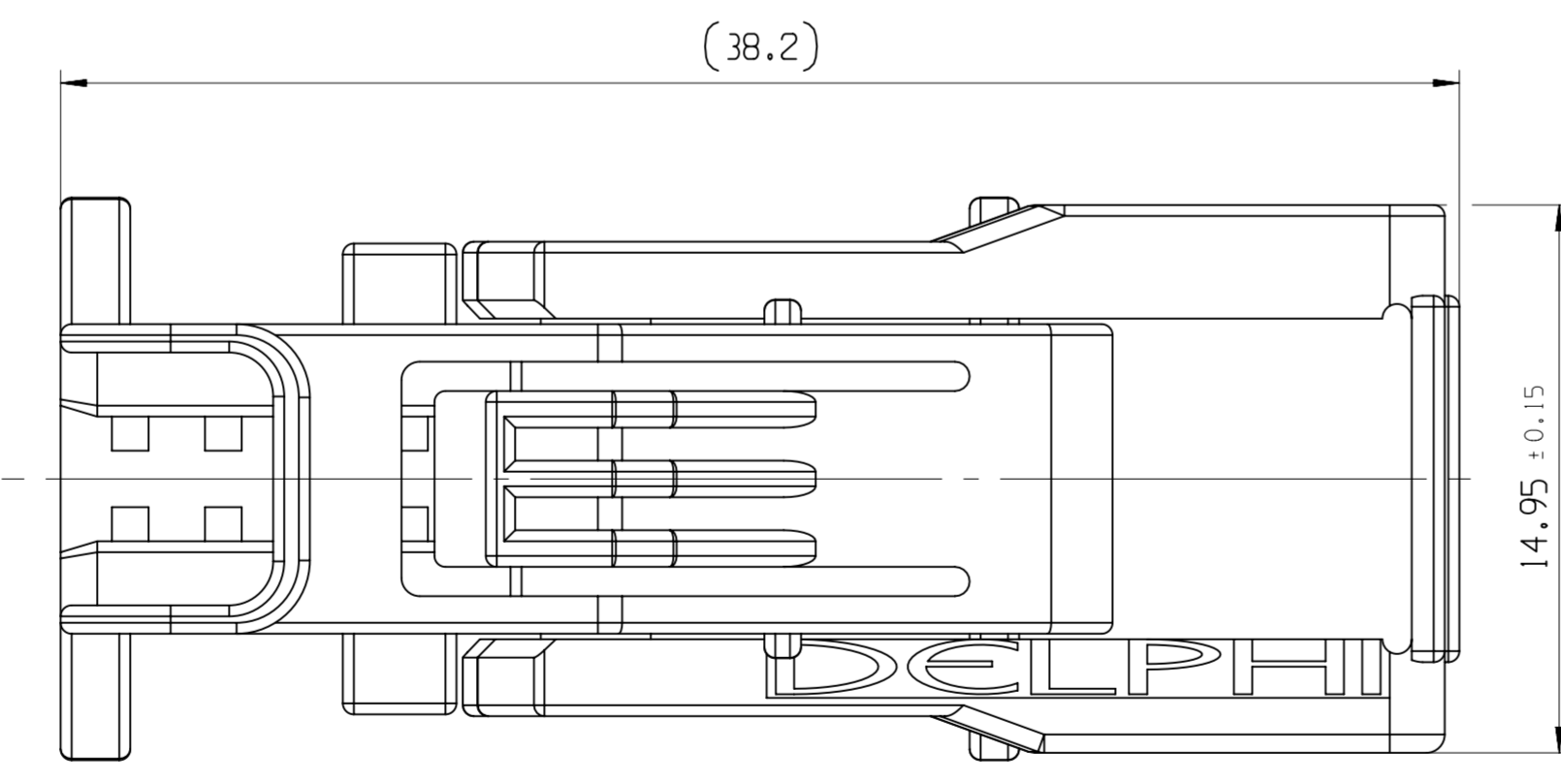
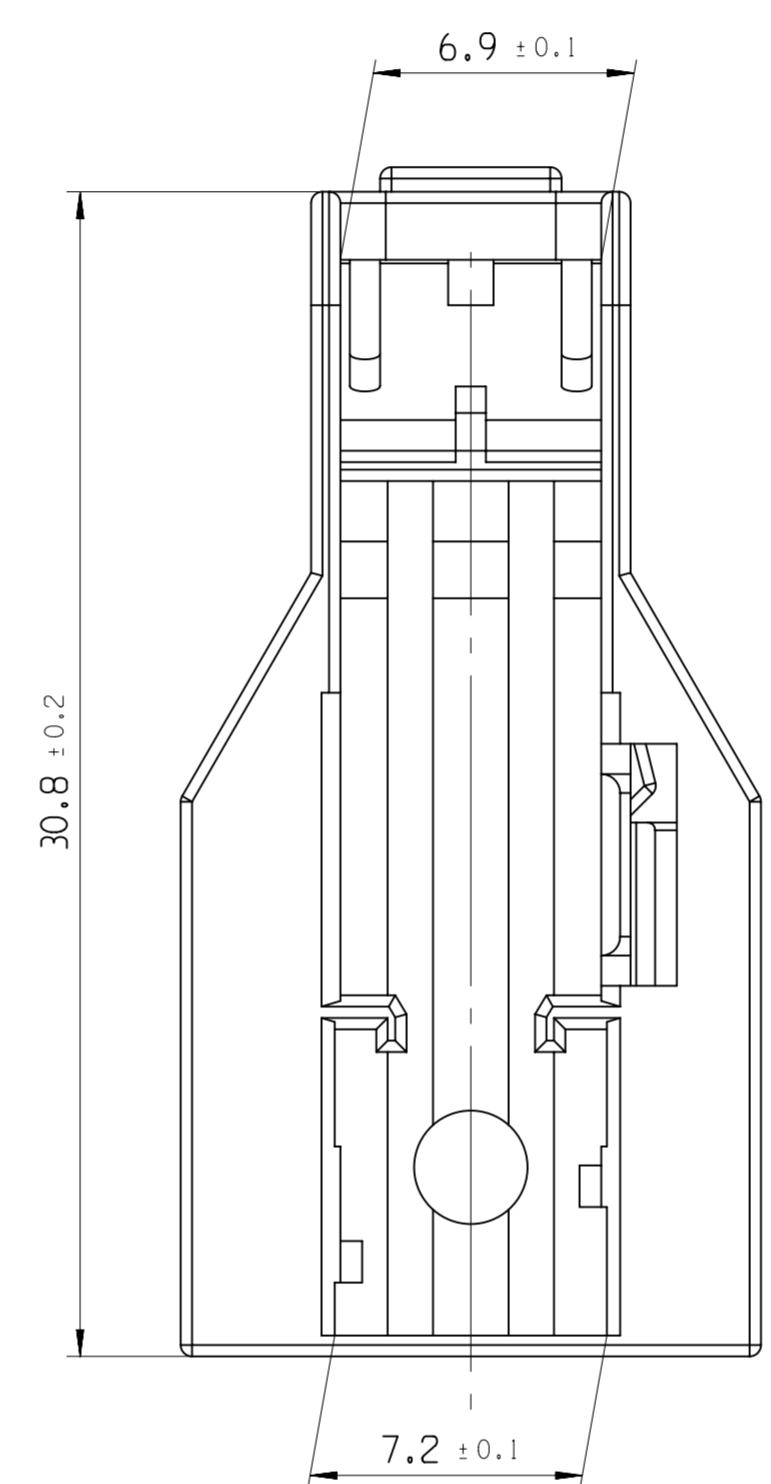
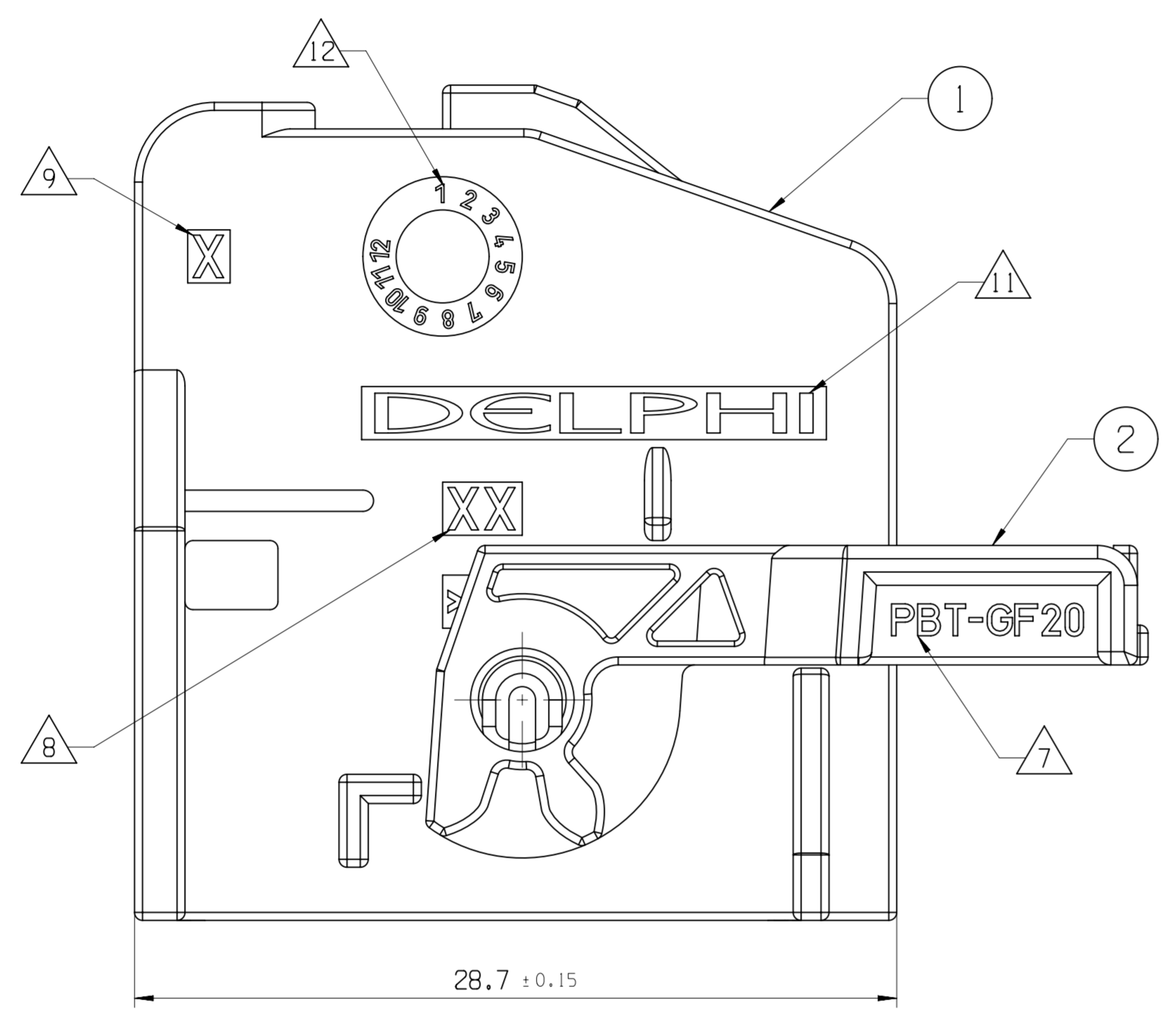
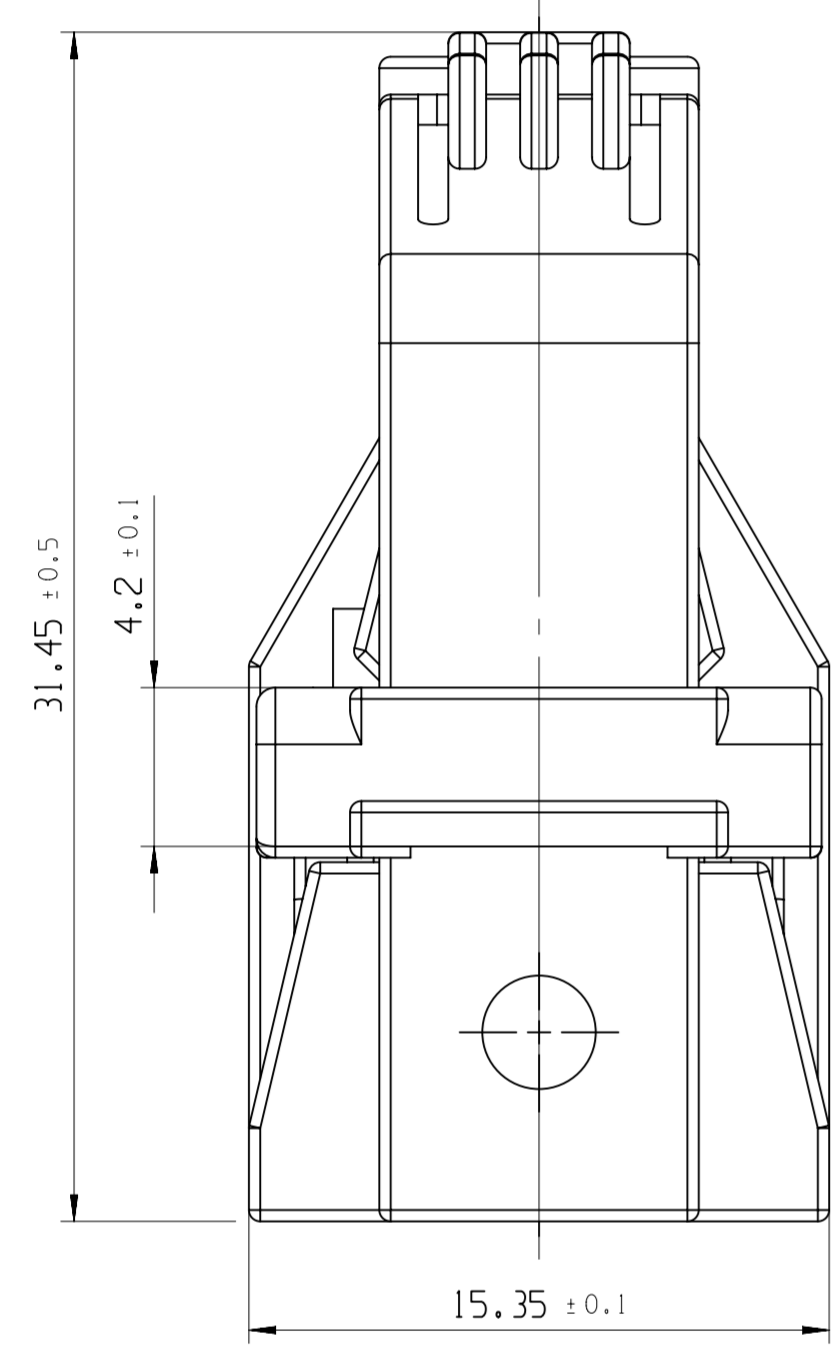
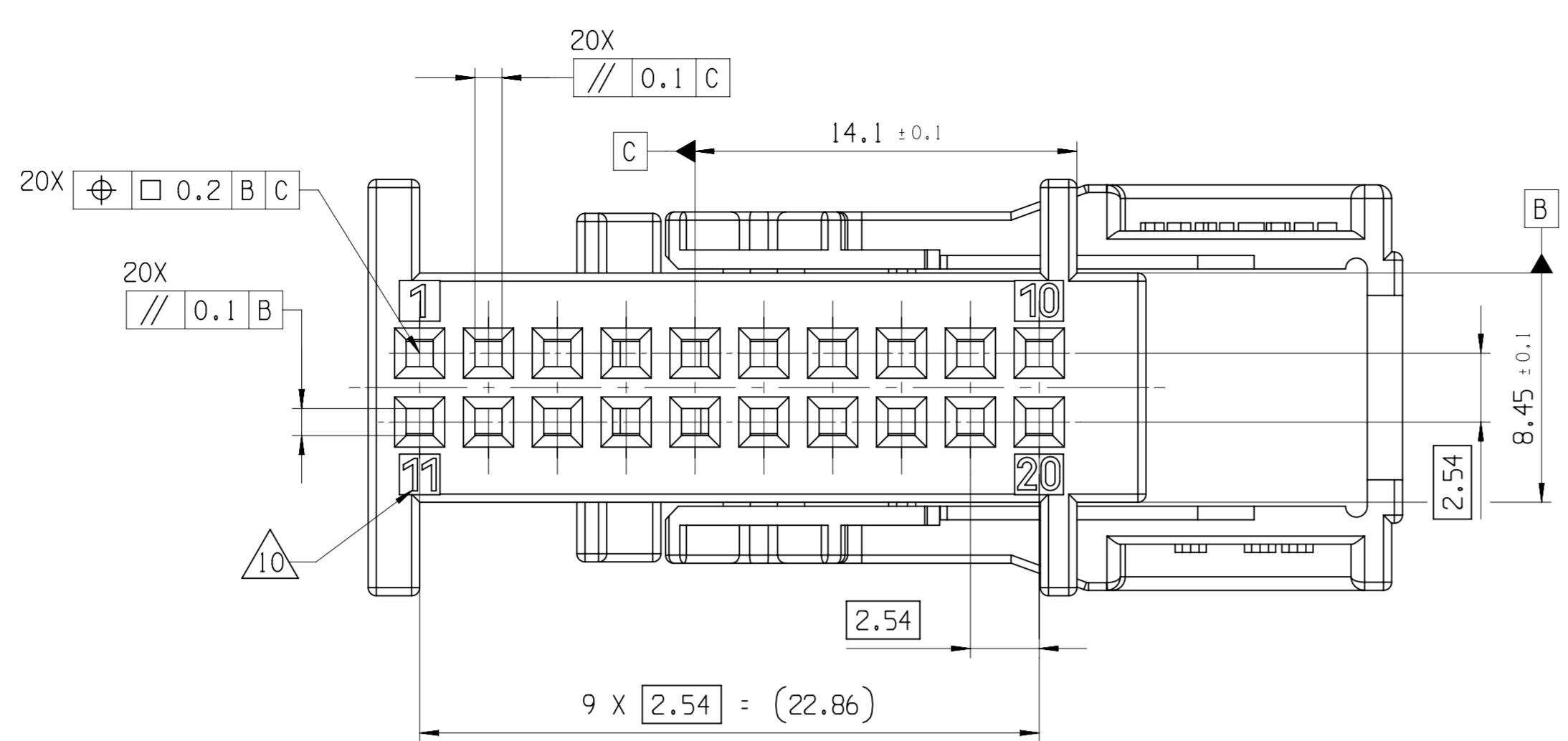


COVER AND LEVER 20 WAY	
APTIV PART NUMBER	CODING
13544303	B

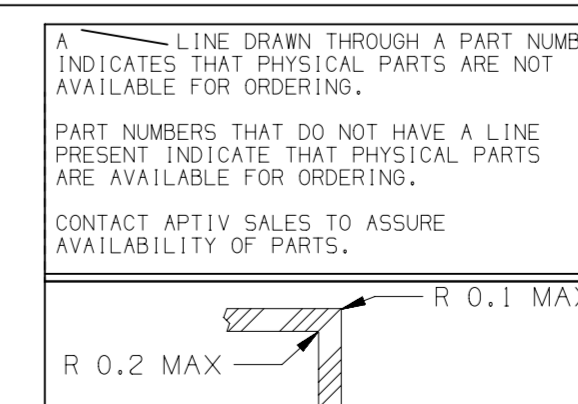



ASSOCIATED PARTS (FOR INFORMATION)	
DESCRIPTION	APTIV P/N
PLUG CONNECTOR HOUSING 20 WAY	13544305
CONTACT SUPPORT 20-WAY	13544298

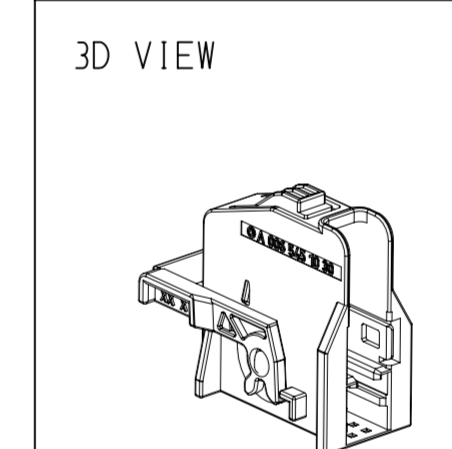
COVER AND LEVER 20 WAY	13544303	COVER FOR INSERT 20 WAY	13544300	PBT-GF20	NATURAL	1
		LEVER	13544339	PBT-GF20	GREY	2
	APTIV NUMBER	DESCRIPTION	APTIV PART NUMBER	MATERIAL	COLOR	NO.

NOTE	SPECIFICATIONS
1	FEMALE CONNECTOR ACCORDING TO APTIV SPECIFICATION: CAQE TBD
2	FEMALE CONNECTOR ACCORDING TO: - TEMPERATURE CLASS TX - ENGINE VIBRATOR CLASS VX - SEALING CLASS EX
3	USER'S MANUAL: TBD
4	DELIVERY CONNECTOR WEIGHT : 4.3g
5	NO WAFER HINGE OR WAFER HINGE BROKEN ALLOWED
6	VISUAL DEFECTS ON NO FUNCTIONAL AREAS ALLOWED
△	MATERIAL CODE
△	MOLD CAVITY NUMBER
△	PART REVISION NUMBER
△	WAY NUMBERS
△	SUPPLIER LOGO
△	DATE CLOCK

DIM TO CHECK	DIMENSIONAL RANGE (MM)	TOLERANCE UNLESS OTHERWISE SPECIFIED	CHART	EL
( ) DIM FOR HELP	FROM > 0 TO > 20	> 0 > 20	> 20 > 30	> 30 > 400
□ THEORETIC DIM		±0.15 ±0.2 ±0.3 ±0.4 ±0.5 ±0.6 ±0.8 ±1 ±1.2		



DWG STATUS		ZONE		REVISION HISTORY		AUTH	DR	APVD 1	APVD 2
DATE	STG	REV	N/P	CHG					
29DE12	R	01			INITIAL RELEASE		P.BAL	M.LAG	M.LAG



SCALE 1:1

DWG TYP	CUSTOMER PART DRAWING
WEIGHT (GR)	SEE TABLE
VOLUME (CM³)	---
ROUTING	

UNLESS OTHERWISE SPECIFIED

GENERAL TOLERANCES ACCORDING TO: SEE CHART

GD&T ACCORDING TO: ISO 1101

REFERENCE

FIRST ANGLE PROJECTION

DO NOT SCALE

USE MATH DATA

**• APTIV •**

CONNECTION SYSTEMS  
Chennai, India  
COPYRIGHT 2021 APTIV. ALL RIGHTS RESERVED.

THIS DRAWING IS THE PROPERTY OF APTIV AND CONTAINS APTIV CONFIDENTIAL INFORMATION. THE REPRODUCTION, DISTRIBUTION AND UTILIZATION OF THIS DOCUMENT OR ITS RELATED CAD MATH DATA, AS WELL AS COMMUNICATION OF ANY CONTENT TO OTHERS, WITHOUT EXPRESS AUTHORIZATION, IS PROHIBITED.

	DATE
DR P.BALAJI	29DE21
APVD1 LAGUETTE MAURICE	29DE21
APVD2 LAGUETTE MAURICE	29DE21
APVD3	
APVD4	
APVD5	

SUBSTANCES OF CONCERN AND RECYCLED CONTENT PER APTIV 10949001

MATERIAL: SEE TABLE

DRAWING NAME: COVER AND LEVER 20 WAY FOR M05 0.63

DRAWING NUMBER: 13544304

SIZE	SCALE	FRAME NO	SHEET NO	STG	REV	N/P
A1	5:1	1 OF 1	1 OF 1	R	01	