

DIN ISO 2768	Tolerance Class medium (m)
Linear dimensions except for broken edges	Permissible deviations for basic size range [mm]
	0.5 *) up to 3 ±0.1
	over 3 up to 6 ±0.1
	over 6 up to 30 ±0.2
	over 30 up to 120 ±0.3
	over 120 up to 400 ±0.5
	over 400 up to 1000 ±0.8
	over 1000 up to 2000 ±1.2
Broken edges (radii, chamfers)	Permissible deviations for basic size range [mm]
	0.5 *) up to 3 ±0.2
	over 3 up to 6 ±0.5
	over 6 ±1
Angular dimensions	Permissible deviations for ranges of lengths, in mm. of the shorter side of the angle concerned
	up to 10 ±1°
	over 10 up to 50 ±0°30'
	over 50 up to 120 ±0°20'
	over 120 up to 400 ±0°10'
	over 400 ±0°5'

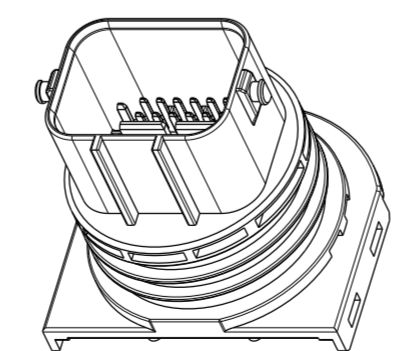
\*) For nominal sizes below 0.5mm, the deviations shall be indicated adjacent to the relevant nominal size(s).

- NOTES:
1. NOT SPECIFIED TOLERANCE : ISO 2768(m)
  2. MUST BE FREE OF CRACK, FLOW MARK, FLASH, BURR ETC. THAT AFFECT FUNCTION OF PRODUCT
  3. REGARDING CUSTOMER MARK AND FCI MARK, DISCUSS LATER.
  4. THIS PRODUCT MUST MEET HMC SPEC. ES46307-04
  5. UNLESS OTHERWISE SPECIFIED TO VENDOR SPECIFICATION.

DESCRIPTION	MATERIAL	COLOR	FCI P/N	PART NO.	QTY
150 MALE PIN (Sn)	CuZn30	-	C352700	F631600	3
120 MALE PIN (Au)	CuZn30	-	C252700	F416800	8
120 MALE PIN (Sn)	CuZn30	-	C152700	F256210	13
28WAY MALE HOUSING	PA66 GF25	BLACK	S512600	F946210	1
28WAY MALE HOUSING	PA66 GF25	BROWN	S316800	33400229	1
28WAY MALE HOUSING	PA66 GF25	DARK GRAY	S356210	33400230	1
28WAY MALE HOUSING	PA66 GF25	ROYAL BLUE	S056210	-	1
28WAY MALE HOUSING	PA66 GF25	RED	33400292	-	1
28WAY MALE HOUSING	PA66 GF25	LIGHT GRAY	33400293	-	1

FCI : KN-10-004 (CUSTOMER : ES-46307-04)

VIEW	BLACK	BROWN	DARK GRAY	ROYAL BLUE	RED	LIGHT GRAY
COLOR						
P/N	F631600	F416800	F256210	F946210	33400229	33400230



ECN-12-01553	-	-	-	-	-	-	-
ECN-NO. ECOM 번호	POSITION 위치	CHANGE DESCRIPTION 변경 사항					
PRODUCT SPEC. 사양 규격	PACKAGING SPEC. 포장 규격	APPLICATION SPEC. 사용 규격	COPYRIGHT DELPHI CORPORATION AND/OR ITS AFFILIATES. ALL RIGHTS RESERVED. REVISED THIS DRAWING IS THE PROPERTY OF DELPHI CORPORATION AND CONTAINS DELPHI CONFIDENTIAL INFORMATION. THE REPRODUCTION, DISTRIBUTION AND UTILIZATION OF THIS DOCUMENT OR ITS RELATED CAD DATA, AS WELL AS COMMUNICATION OF ANY CONTENT TO OTHERS, WITHOUT EXPRESS AUTHORIZATION, IS PROHIBITED.				
TOLERANCES 공차	SEE TABLE	MATERIAL : 재료	SEE TABLE	SURFACE FINISH 표면 처리	DELPHI DELPHI PACKARD ELECTRICAL/ELECTRONIC ARCHITECTURE NAMHYANG, KOREA		CAD SYSTEM pro / eng.
COUNTERPART No. 상대품 번호	F731600	COLOR : 색상	SEE TABLE	SEE TABLE	DIMENSION IN MILLIMETERS 치수단위 밀리미터		DWG SIZE 도면 크기 A2
DO NOT MEASURE DRAWING 도면을 측정하지 마십시오		TOOL NO. 공칭 번호		ECO Loc. Code ECO 위치코드	THIRD ANGLE 제3각법		APPROVAL LEVEL 승인 수준 A2
CREATED BY 작성	DATE 날짜	NAME 이름	TITLE 제목		DRAWING NUMBER 도면 번호	REV. 개정	APPROVAL LEVEL 승인 수준
2009/12/23	2012/12/04	ChanKyun LEE	PROJECT 프로젝트명		PCC0672646	D	
2012/12/06	2012/12/26	SeungWon CHOI	PROJECT 프로젝트명		SERIAL RELEASED		
2012/12/06	2012/12/26	JooHyun PARK	PROJECT 프로젝트명		REV. 개정		
2012/12/26	2012/12/26	MinYoung LEE	PROJECT 프로젝트명		REV. 개정		
FILE NAME 파일명	PCC0672646		ESR NO. ESR 번호		CAT. NO. 목록 번호		SCALE 척도 2:1
			DOCUMENT UNDER PDS CONTROL PDS에 의해 관리되는 문서임. NO MODIFICATION ALLOWED OUTSIDE 외부에서 수정은 허용되지 않음.				