
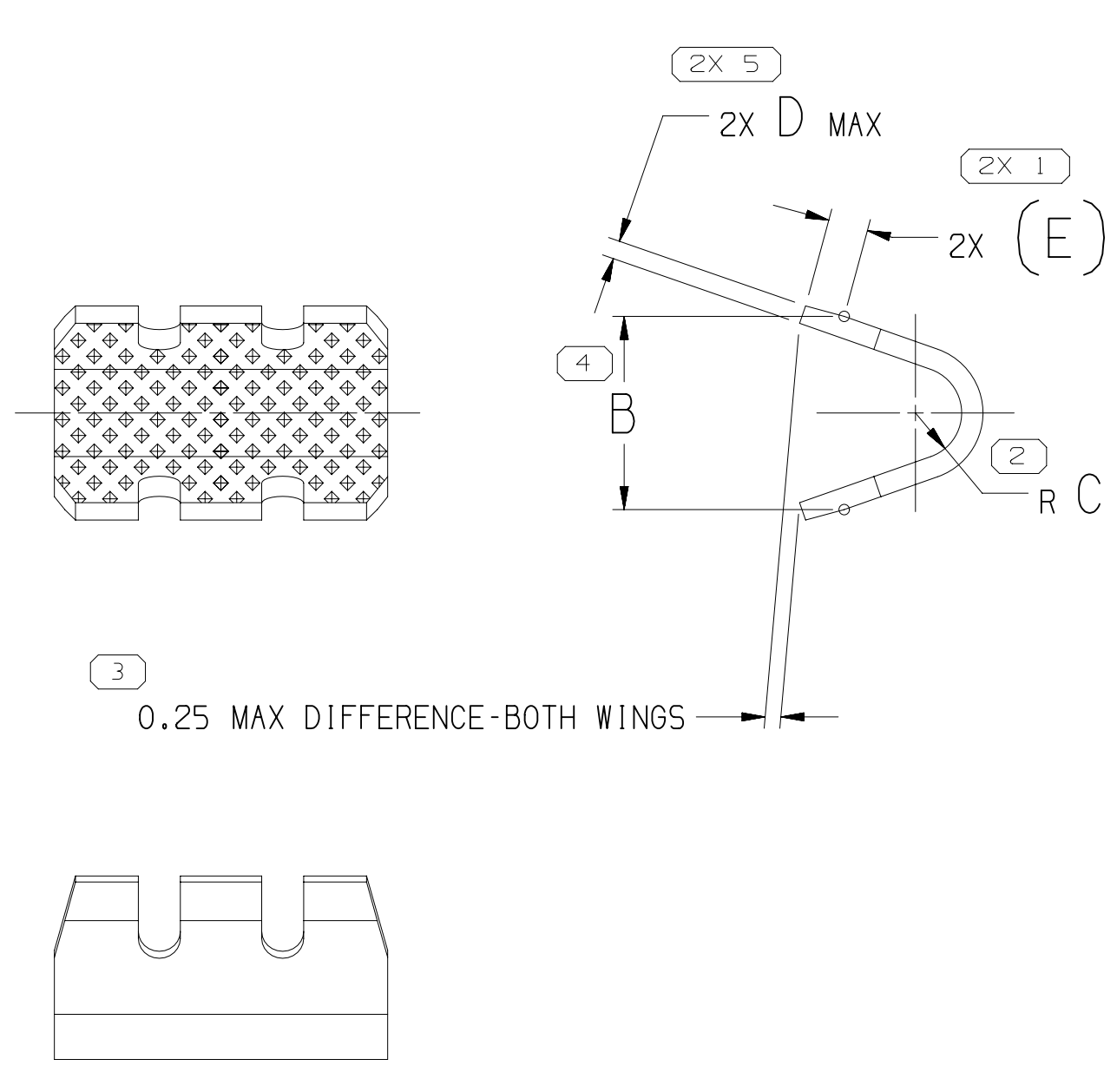
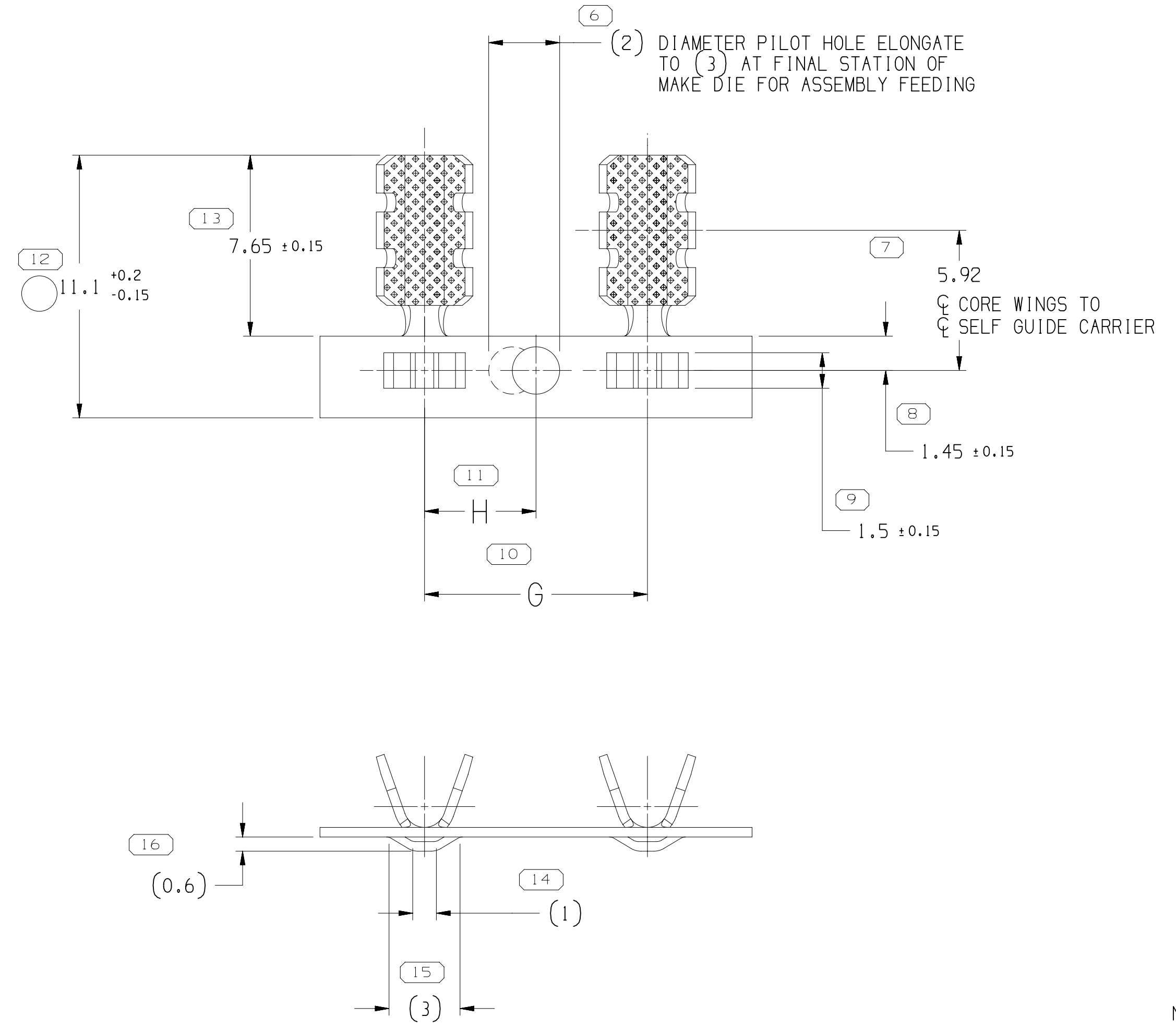
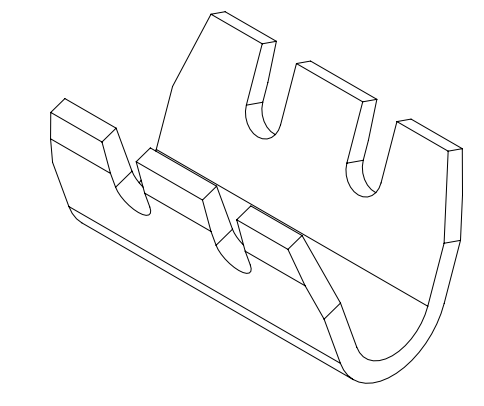


SYMBOL DEFINITION		TOTAL NO OF INSPECTIONS REQUIRED	
A DIMENSION WITHOUT AN INSPECTION REPORT SYMBOL  DOES NOT REQUIRE INSPECTION. IT MAY BE CONTROLLED ON THE INDIVIDUAL COMPONENT DRAWING.		18	
	LAST NO. USED	16	

MISSING SYMBOLS		DWG STATUS				ZONE	REVISION HISTORY	AUTH	DR	APVD 1	APVD 2
NO MISSING SYMBOL NUMBER		DATE	STG	REV	N/P						
		26FE07	R	13	-	-	ALL ACTIVE PARTS - CREATED PART DRAWING	400697	AC	FR	PYP
		12JN07	R	14	-	-	ALL PARTS - REDRAWN TO PD; 13652872 - RELEASED	401665	ECB	AUG	GGI
		29AP08	R	15	-	-	ALL ACTIVE PARTS -ADDED CARRIER STRIP OPTIONAL CONSTRUCTION TYPE 102	404514	LHT	GEM	LHT
		05AU08	R	16	-	-	ALL ACTIVE PARTS -REMOVED CARRIER STRIP OPTIONAL CONSTRUCTION TYPE 102	405648	LHT	VMR	LHT
		28OC08	R	17	-	-	12064906 - OBSOLETE AND REPLACED BY 13652872	406605	MDH	FKV	JAW
		09FE09	R	18	-	-	ALL ACTIVE PARTS - UPDATED MAT'L CALLOUT; 12064904-05 - OBSOLETE	407307	JTV	AUG	RAP
		20AP09	R	19	-	-	12064904 - REINSTATED	407792	RRR	JAA	RRR
		19JN09	R	20	-	-	12064904 - OBSOLETE	408238	RRR	JVM	RRR
		24JA12	R	21	-	-	ALL ACTIVE PARTS - ADDED "CABLE SIZE (MM²)" COLUMN ON CHART	416803	JGM	JAA	RSG
		27SE16	R	22	-	-	13652872 - OBSOLETE	434383	AGH	VMR	AGH
		11AU20	R	23	-	-	12084688-89 & 12124369 - DIM 11.1 +0.2/-0.15 WAS 11.1 +/-0.15	552207	AHY	AHY	AGH



CARRIER STRIP VIEW-TYPE 101
CARRIER STRIP OPTIONAL CONSTRUCTION
SCALE 6:1

NOTES

1. UNLESS OTHERWISE SPECIFIED AND/OR INDICATED:
DIMENSIONS ARE TO FACE OF VIEW SHOWN AND AUTOMATICALLY ROUNDED BY COMPUTER FOR INSPECTION (SEE MATH MODEL FOR PRECISE DIMENSIONS). FOR ALL OTHER DIMENSIONS NOT SHOWN BUT REQUIRED FOR TOOL BUILD, SEE MATH MODEL FOR PRECISE TOOL PATH DATA.

PART NO	REV	N/P	MAT'L SIZE	MAT'L SPEC	PART NO	REV	N/P	MAT'L SPEC	SIZE (MM²)	B ±0.25	C ±0.15	D MAX	(E)	G ±0.15	H ±0.15
-	-	-	0.406 X 11.13	COPPER ALLOY	12124369	A6	-	TIN PLATED COPPER ALLOY	0.35 - 0.8	2.4	0.5	0.35	0.76	9.42	4.71
-	-	-	0.406 X 11.13	COPPER ALLOY	12124033	A	-	TIN PLATED COPPER ALLOY	-	2.4	0.5	0.35	0.76	16.51	8.26
12064906	B4	-	0.406 X 11.13	COPPER ALLOY	13652872	01	AE	TIN PLATED COPPER ALLOY	4 - 6	5.84	1.98	0.35	0.76	16.51	8.26
12064905	B4	-	0.406 X 11.13	COPPER ALLOY	12084689	A6	-	TIN PLATED COPPER ALLOY	3 - 5	4.57	1.39	0.35	0.76	16.51	8.26
12064904	C6	-	0.406 X 11.13	COPPER ALLOY	12084688	B6	-	TIN PLATED COPPER ALLOY	0.8 - 2	3.68	0.88	0.35	0.76	9.42	4.71
PART NO	REV	N/P	MAT'L SIZE	MAT'L SPEC	PART NO	REV	N/P	MAT'L SPEC	SIZE (MM²)	B ±0.25	C ±0.15	D MAX	(E)	G ±0.15	H ±0.15
UNPLATED									PLATED						

(12) PROCESS SENSITIVE DIMENSION	
DIMENSIONS ENCLOSED IN () INDICATE REFERENCE DIMENSIONS AND NO TOLERANCE LIMITS ARE ESTABLISHED	
DIMENSIONAL RANGE (MM) CHART D	
FROM 0 TO 12	CHART D > 12
TOLERANCE UNLESS OTHERWISE SPECIFIED	
+0.1	+0.2
ANGULAR TOLERANCE ±2°	

LINE DRAWN THROUGH A PART NUMBER INDICATES THAT PHYSICAL PARTS ARE NOT AVAILABLE FOR ORDERING.

PART NUMBERS THAT DO NOT HAVE A LINE PRESENT INDICATE THAT PHYSICAL PARTS ARE AVAILABLE FOR ORDERING.

CONTACT APTIV SALES TO ASSURE AVAILABILITY OF PARTS.

DWG TYPE: PART DRAWING

STYLE: [Symbol]

VOLUME (CM³): [Symbol]

DISTR CODE: D

UNLESS OTHERWISE SPECIFIED

THIS DOCUMENT IS IN ACCORDANCE WITH ASME Y14.5M-1994 AS AMENDED BY THE GM GLOBAL DIMENSIONING AND TOLERANCING ADDENDUM-2001. SEPARATE PATTERNS OF FEATURES MAY BE GAGED SEPARATELY REGARDLESS OF DATUM REFERENCES.

ALL DIMENSIONS ARE IN MILLIMETERS

REFERENCE:

THIRD ANGLE PROJECTION

DO NOT SCALE

USE MATH DATA

NX

• APTIV •

CONNECTION SYSTEMS

WARREN, OH

COPYRIGHT 2007 APTIV. ALL RIGHTS RESERVED.

THIS DRAWING IS THE PROPERTY OF APTIV AND CONTAINS APTIV CONFIDENTIAL INFORMATION. THE REPRODUCTION, DISTRIBUTION AND UTILIZATION OF THIS DOCUMENT OR ITS RELATED CAD MATH DATA, AS WELL AS COMMUNICATION OF ANY CONTENT TO OTHERS, WITHOUT EXPRESS AUTHORIZATION, IS PROHIBITED.

DR	DATE
APVD1 A. CARBONEY	26FE07
APVD2 FCO. RESENDIZ	02MR07
APVD3 P. YABUR	09MR07
APVD4	
APVD5	

SUBSTANCES OF CONCERN AND RECYCLED CONTENT PER APTIV 10949001

MATERIAL SEE CHART

DRAWING NAME: TAXI TERM SPLICE

DRAWING NUMBER: 12064907

SIZE	SCALE	FRAME NO	SHEET NO	STG	REV	N/P
A1	8:1	1 OF 1	1 OF 1	R	23	-