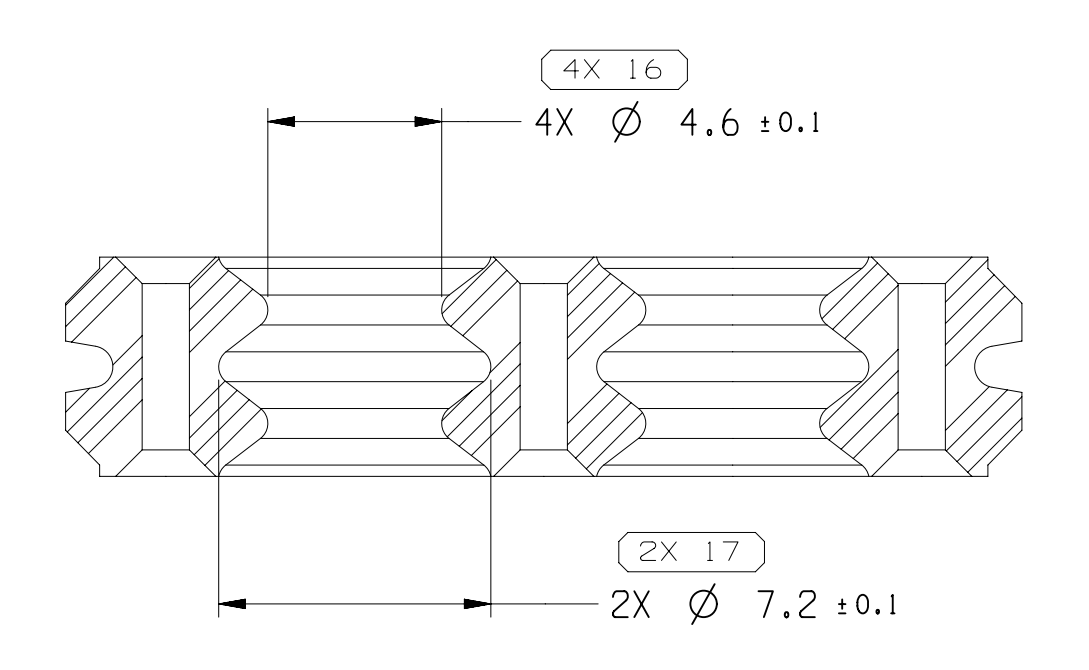
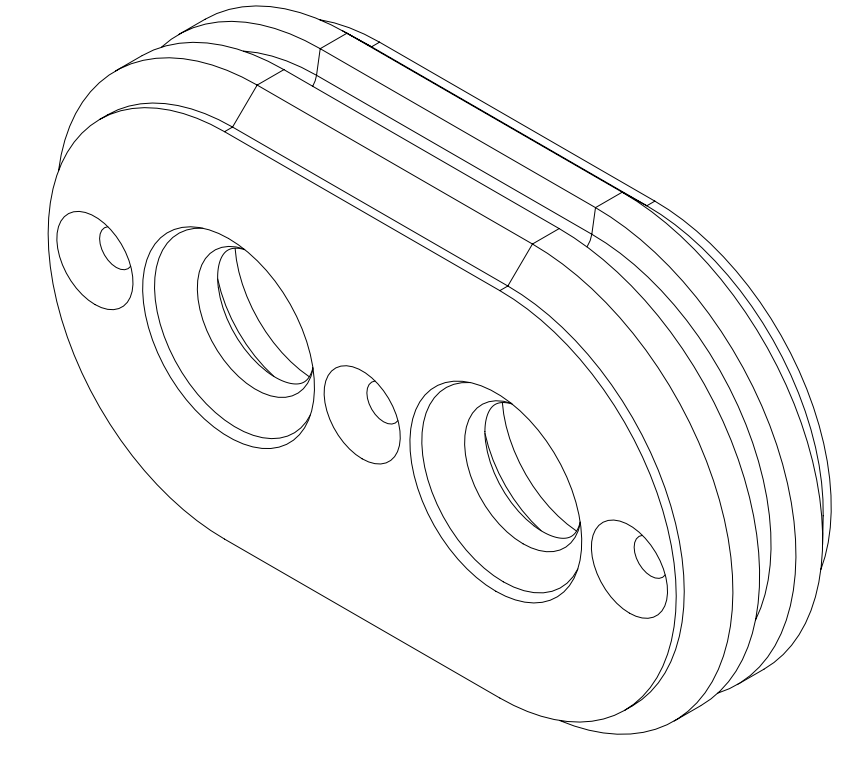
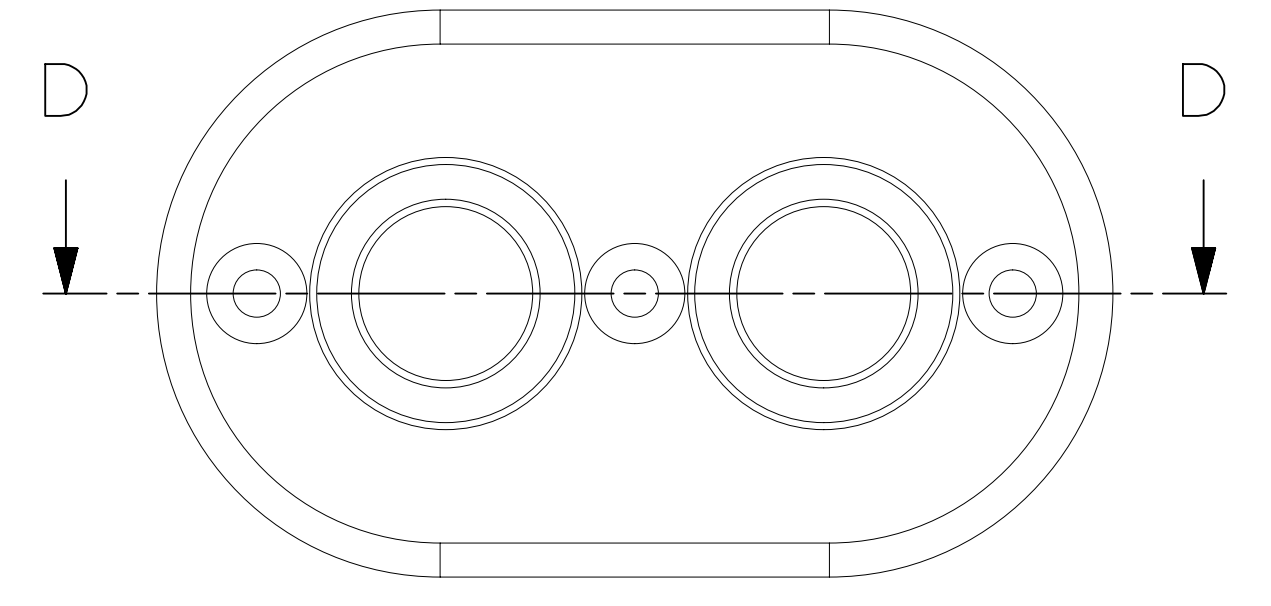


SYMBOL DEFINITION		TOTAL NO OF INSPECTIONS REQUIRED	MISSING SYMBOLS
A DIMENSION WITHOUT AN INSPECTION REPORT SYMBOL DOES NOT REQUIRE INSPECTION. IT MAY BE CONTROLLED ON THE INDIVIDUAL COMPONENT DRAWING.		54	10
		LAST NO. USED	21

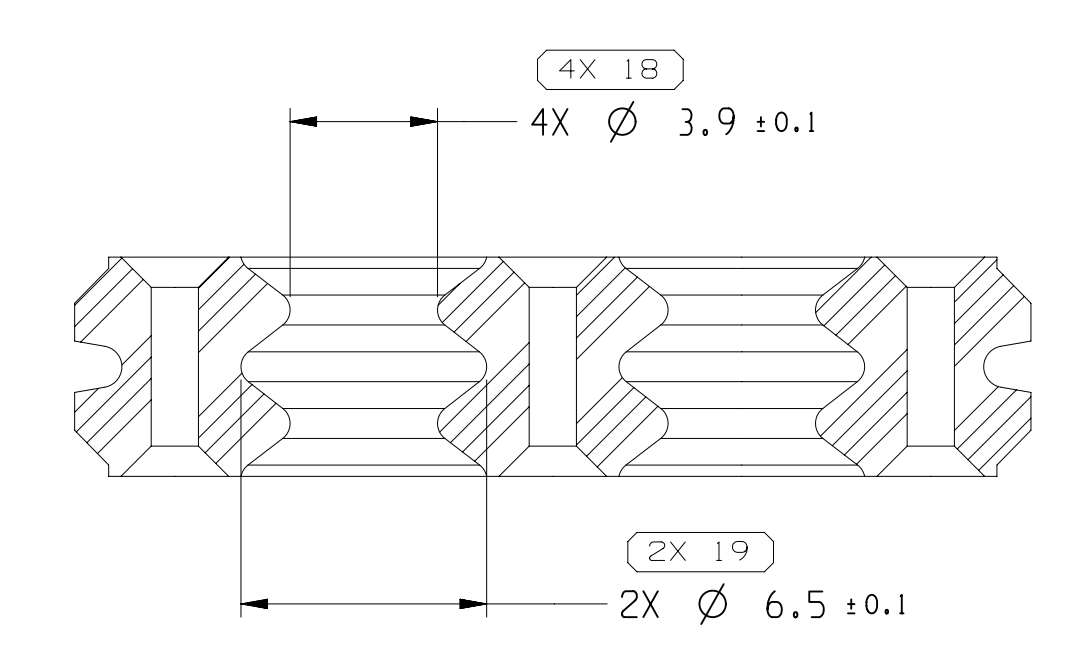
DATE	STG	REV	N/P	CHG	ZONE	REVISION HISTORY	AUTH	DR	APVD	APVD 2
02JN10	R	01	-	-	-	ALL PARTS-CREATED PART DRAWING	410951	LLJ	LLJ	NL
22JL10	R	02	-	-	-	UPDATED PDM ATTRIBUTES	411376	LLJ	LLJ	NL
23MY11	R	03	-	-	-	ADDED TYPES 104-106 & DIMS [6-21.	414306	LLJ	LLJ	NL
25JN12	R	04	-	-	-	ALL PARTS-ADDED APPLICABLE SECONDARY LOCK TO CHART	418535	LLJ	LLJ	NL
05DE12	R	05	-	-	-	15513451, 15513452, 15513453 & 15513454 - RELEASED AS INACTIVE.	420314	JOR	JRV	JOR
19MR13	R	06	-	-	-	13887943, 13887973, 13887974 & 15513454 - JACKETED CABLE TYPE WAS "SAE"	421779	JOR	AAS	JOR
02AU13	R	07	-	-	-	15513451-54 - UPDATED PART AVAILABILITY	423447	JOR	AAS	JOR
08JL15	R	08	-	-	-	13824774-76 & 13887973 - ADDED REPLACED BY COLUMN; 13824775-76 & 13887973 - OBSOLETE AND 13824774 - RESTRICTED	427663	JVR	JVM	YVH
20JL15	R	09	-	-	-	13887943, 13887974 & 15513451-54 - ADDED MUST BE MEASURED NOTE	430019	ABH	JVM	YVH
11DE18	R	10	-	-	-	ALL ACTIVE PARTS - REMOVED ISO/SAE DESIGNATION FROM "CABLE SIZE" CHART COLUMN	441757	JLL	JAA	TAV
03AU20	R	11	-	-	-	15513451 - CABLE OD RANGE 6.1-5.4 WAS 5.66-5.4	552136	CGD	CGD	MWC
19MY22	R	12	-	-	-	15513452 - CABLE OD RANGE 5.4-4.73 WAS 4.93-4.73; 15513453 - CABLE OD RANGE 4.8-4.17 WAS 4.37-4.17; ALL ACTIVE PARTS - REMOVE SHIELDED, JACKETED CABLE SIZE & APPLICABLE SECONDARY LOCK OR EQUIVALENT COLUMN	557459	ESG	JAA	TAG



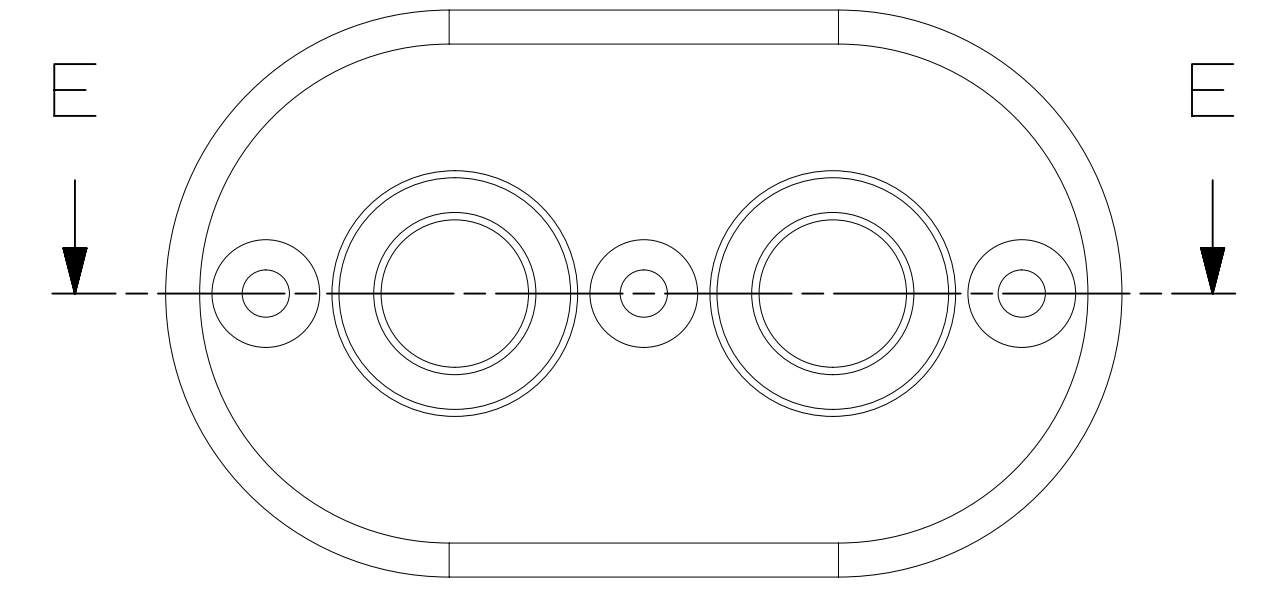
SECTION D-D



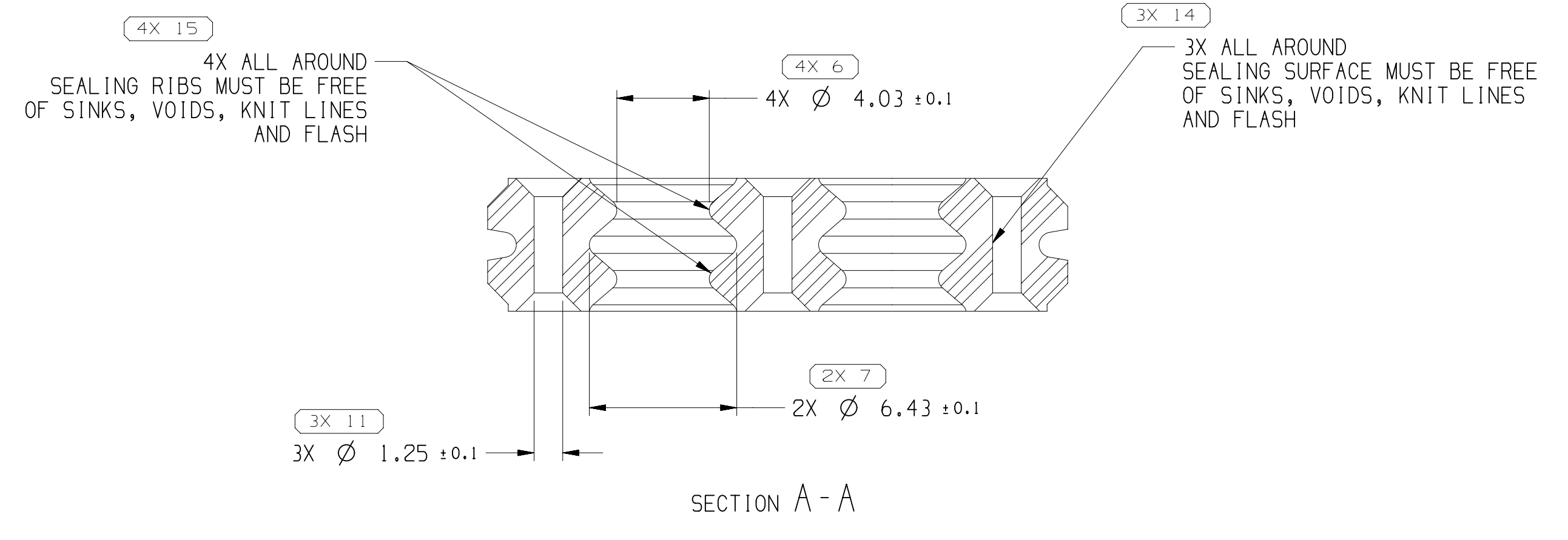
TYPE 104  
SAME AS TYPE 101  
EXCEPT AS SHOWN



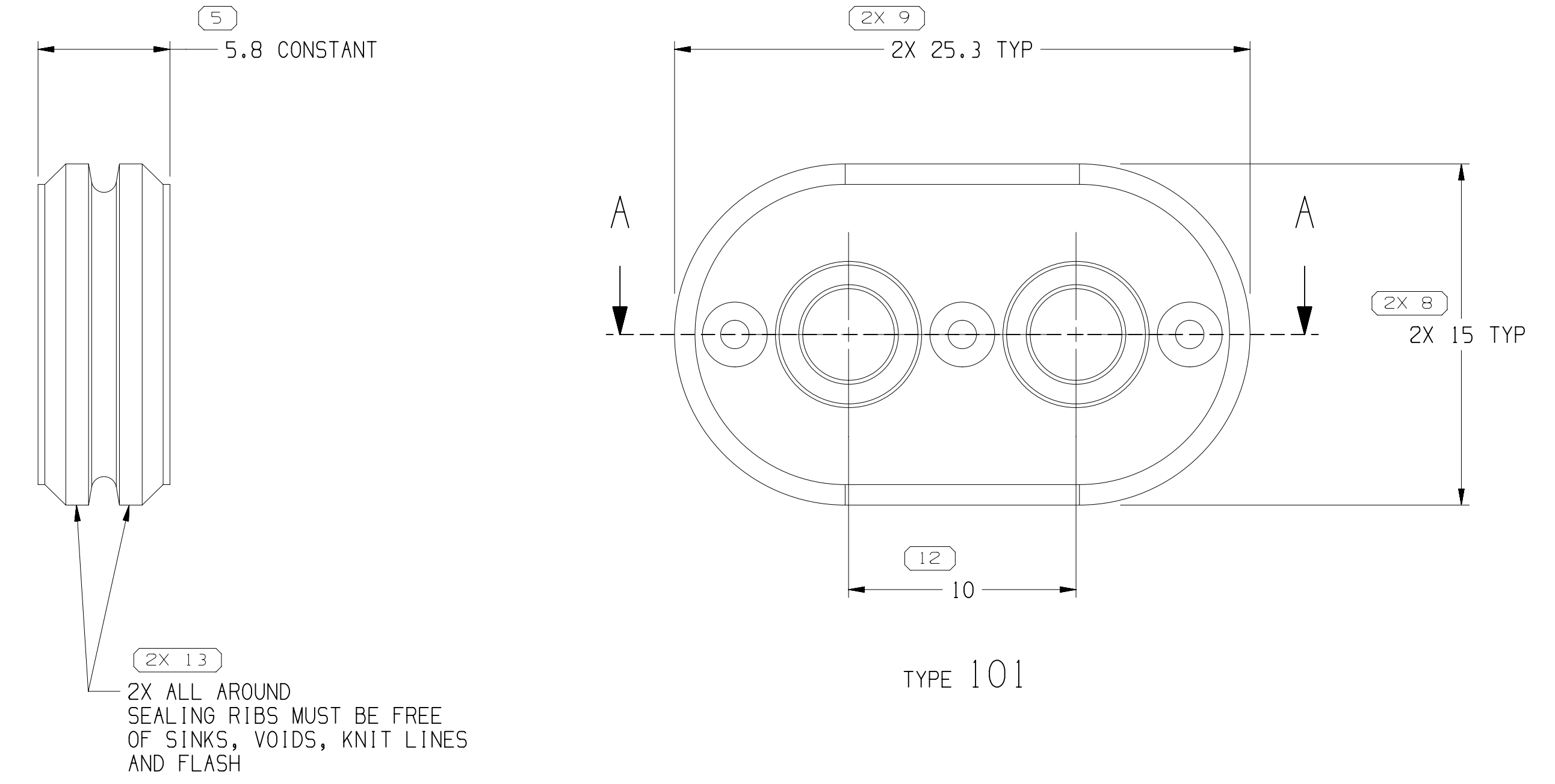
SECTION E-E



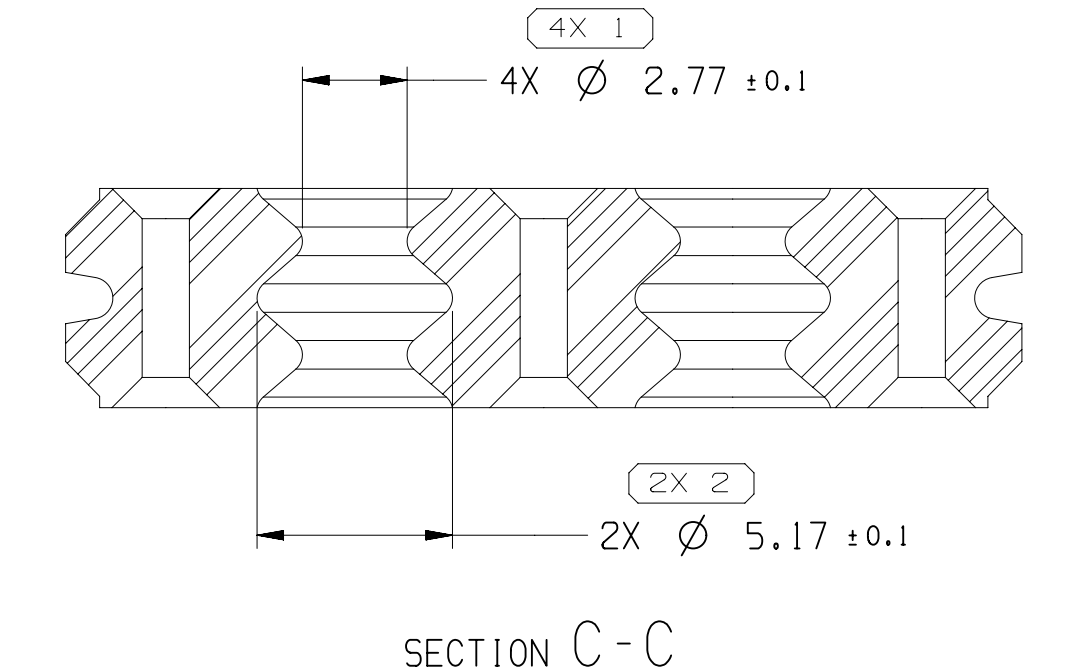
TYPE 105  
SAME AS TYPE 101  
EXCEPT AS SHOWN



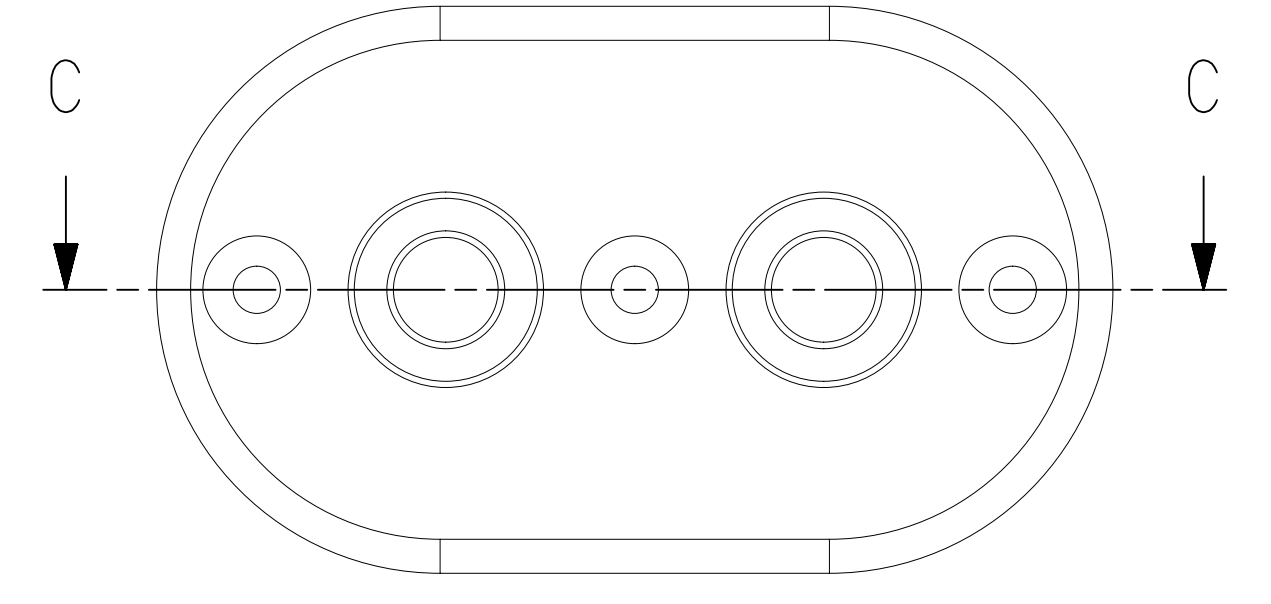
SECTION A-A



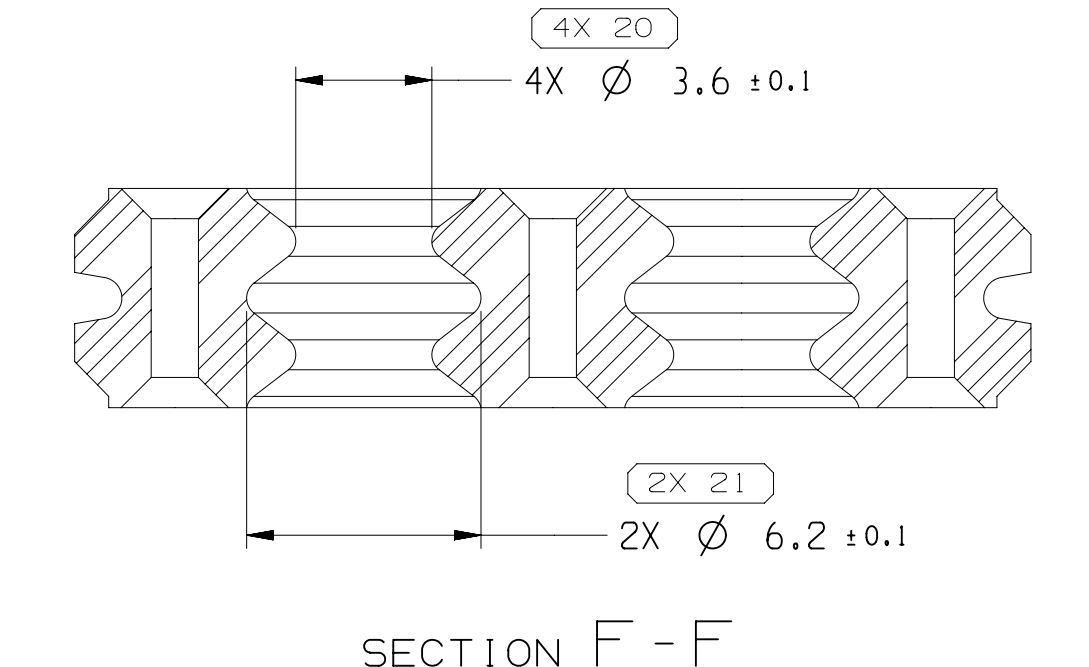
TYPE 101



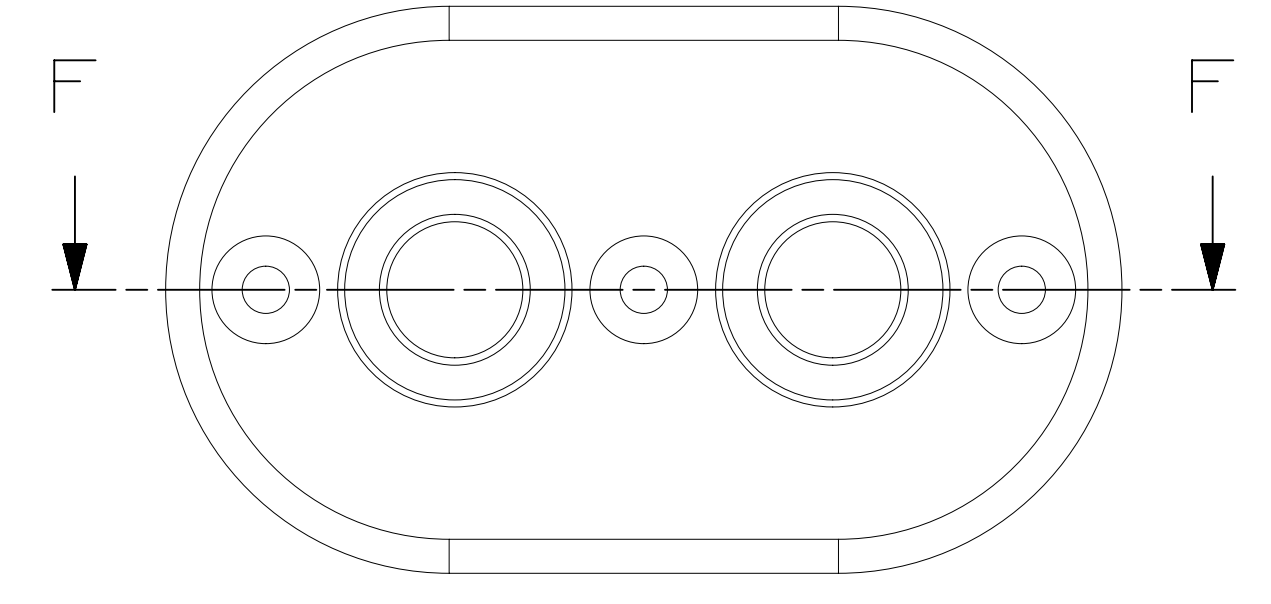
SECTION C-C



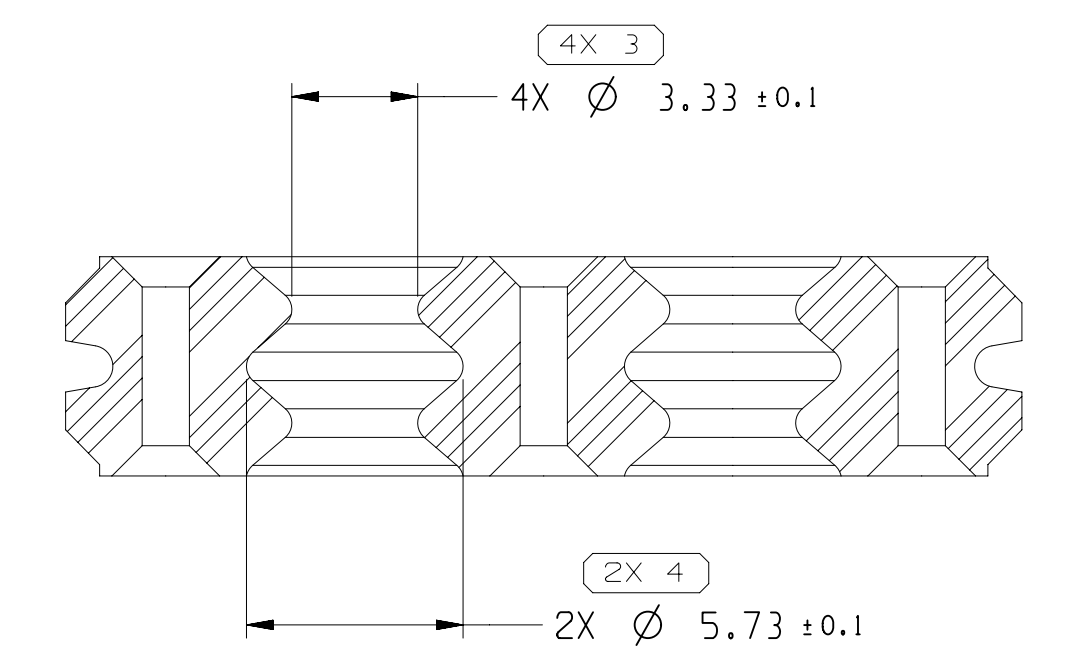
TYPE 103  
SAME AS TYPE 101  
EXCEPT AS SHOWN



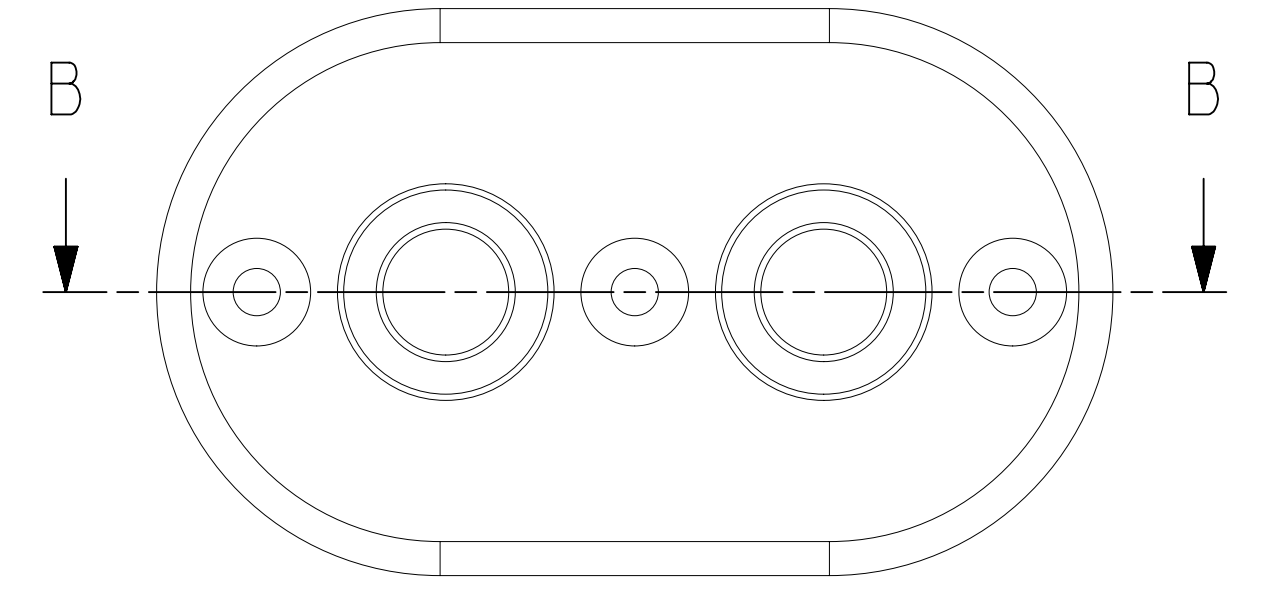
SECTION F-F



TYPE 106  
SAME AS TYPE 101  
EXCEPT AS SHOWN



SECTION B-B



TYPE 102  
SAME AS TYPE 101  
EXCEPT AS SHOWN

PART NO	REV	N/P	RESTRICTED USAGE	TYPE	MATERIAL SPECIFICATION	VOL (CM <sup>3</sup> )	CABLE OD RANGE	REPLACED BY
15513454	01	AE	-	105	SILICONE RUBBER OCHER	1.441	5.8 - 5.3	-
15513453	01	AD	-	103	SILICONE RUBBER WHITE	1.565	4.8 - 4.17	-
15513452	01	AD	-	102	SILICONE RUBBER GRAY	1.522	5.4 - 4.73	-
15513451	01	AE	-	101	SILICONE RUBBER RED	1.460	6.1 - 5.4	-
13887974	01	AE	-	106	SILICONE COMPOUND WHITE	1.469	5.5 - 5	-
13887973	01	AC	-	105	SILICONE COMPOUND DARK GRAY	1.441	5.8 - 5.3	15513454
13887943	01	AE	-	104	SILICONE COMPOUND LIGHT ORANGE	1.368	6.5 - 6	-
13824776	01	AC	-	103	SILICONE COMPOUND GREEN	1.565	4.37 - 4.17	15513453
13824775	01	AC	-	102	SILICONE COMPOUND YELLOW	1.522	4.93 - 4.73	15513452
13824774	01	AE	RESTRICTED - SEE NOTE 6	101	SILICONE COMPOUND LIGHT BLUE	1.460	5.66 - 5.4	15513451

- NOTES
- UNLESS OTHERWISE SPECIFIED AND/OR INDICATED: DIMENSIONS ARE TO FACE OF VIEW SHOWN AND AUTOMATICALLY ROUNDED BY COMPUTER FOR INSPECTION (SEE MATH MODEL FOR PRECISE DIMENSIONS). FOR ALL OTHER DIMENSIONS NOT SHOWN BUT REQUIRED FOR TOOL BUILD, SEE MATH MODEL FOR PRECISE TOOL PATH DATA.
  - PARTS SHOWN ON THIS DRAWING ACCEPT ASSEMBLIES SHOWN ON TAXI 13830164.
  - WHEN INSTALLING COMPONENT ON WIRE, DOW 550 PROCESSING AGENT MAY BE APPLIED TO THE OD OF THE WIRE TO REDUCE SEAL TO WIRE SLIDING FORCES.
  - SILICONE SEALING SURFACES MUST BE FREE OF DEFECTS, PARTING LINES, MOLD MISMATCH AND KNIT LINES, ETC.
  - THIS PRODUCT IS NOT CATEGORIZED AS AN APPEARANCE ITEM, MINOR IMPERFECTIONS INCLUDING, BUT NOT LIMITED TO, FLOW MARKS, COLOR BLEMISHES, GATE VESTIGES, AND SOFT FLASH THAT DO NOT AFFECT THE FIT, FORM, OR FUNCTION OF THE PART ARE PERMISSIBLE PER DPNP-4.7-CS-01.
  - PART(S) RESTRICTED FOR USE IN YAZAKI NORTH AMERICA; TESLA MOTORS; MULTIPLE; W242. REFER TO CHART FOR SPECIFIC RESTRICTED PART NUMBERS.

LINE	THROUGH A PART NUMBER	INDICATES THAT PHYSICAL PARTS ARE NOT AVAILABLE FOR ORDERING.
5	PROCESS SENSITIVE DIMENSION	

**APTIV**  
CONNECTION SYSTEMS  
WARREN, OH  
COPYRIGHT 2010 APTIV. ALL RIGHTS RESERVED.  
THIS DRAWING IS THE PROPERTY OF APTIV AND CONTAINS APTIV CONFIDENTIAL INFORMATION. THE REPRODUCTION, DISTRIBUTION AND UTILIZATION OF THIS DOCUMENT OR ITS RELATED CAD DATA, AS WELL AS COMMUNICATION OF ANY CONTENT TO OTHERS, WITHOUT EXPRESS AUTHORIZATION, IS PROHIBITED.

DATE: 02JN10  
DR: L. JONES  
APVD: L. JONES  
APVD3: N. LIPTAK  
APVD4: [blank]  
SUBSTANCES OF CONCERN AND RECYCLED CONTENT PER APTIV 10949001

DRAWING NAME: TAXI SEAL CBL/CONN  
DRAWING NUMBER: 13830145  
SIZE: A0  
SCALE: 5:1  
FRAME NO: 1 OF 1  
SHEET NO: 1 OF 1  
STG REV N/P: R 12 -

DIMENSIONAL RANGE (MM)	TOLERANCE UNLESS OTHERWISE SPECIFIED	CHART	ET
FROM TO			
> 0	> 20	> 30	> 70
> 20	> 30	> 70	> 100
> 30	> 70	> 100	> 150
> 70	> 100	> 150	> 200
> 100	> 150	> 200	> 250
> 150	> 200	> 250	> 300
> 200	> 250	> 300	> 400
> 250	> 300	> 400	> 500
> 300	> 400	> 500	> 600
> 400	> 500	> 600	> 700
> 500	> 600	> 700	> 800
> 600	> 700	> 800	> 900
> 700	> 800	> 900	> 1000
> 800	> 900	> 1000	> 1100
> 900	> 1000	> 1100	> 1200
> 1000	> 1100	> 1200	> 1300
> 1100	> 1200	> 1300	> 1400
> 1200	> 1300	> 1400	> 1500
> 1300	> 1400	> 1500	> 1600
> 1400	> 1500	> 1600	> 1700
> 1500	> 1600	> 1700	> 1800
> 1600	> 1700	> 1800	> 1900
> 1700	> 1800	> 1900	> 2000
> 1800	> 1900	> 2000	> 2100
> 1900	> 2000	> 2100	> 2200
> 2000	> 2100	> 2200	> 2300
> 2100	> 2200	> 2300	> 2400
> 2200	> 2300	> 2400	> 2500
> 2300	> 2400	> 2500	> 2600
> 2400	> 2500	> 2600	> 2700
> 2500	> 2600	> 2700	> 2800
> 2600	> 2700	> 2800	> 2900
> 2700	> 2800	> 2900	> 3000
> 2800	> 2900	> 3000	> 3100
> 2900	> 3000	> 3100	> 3200
> 3000	> 3100	> 3200	> 3300
> 3100	> 3200	> 3300	> 3400
> 3200	> 3300	> 3400	> 3500
> 3300	> 3400	> 3500	> 3600
> 3400	> 3500	> 3600	> 3700
> 3500	> 3600	> 3700	> 3800
> 3600	> 3700	> 3800	> 3900
> 3700	> 3800	> 3900	> 4000
> 3800	> 3900	> 4000	> 4100
> 3900	> 4000	> 4100	> 4200
> 4000	> 4100	> 4200	> 4300
> 4100	> 4200	> 4300	> 4400
> 4200	> 4300	> 4400	> 4500
> 4300	> 4400	> 4500	> 4600
> 4400	> 4500	> 4600	> 4700
> 4500	> 4600	> 4700	> 4800
> 4600	> 4700	> 4800	> 4900
> 4700	> 4800	> 4900	> 5000
> 4800	> 4900	> 5000	> 5100
> 4900	> 5000	> 5100	> 5200
> 5000	> 5100	> 5200	> 5300
> 5100	> 5200	> 5300	> 5400
> 5200	> 5300	> 5400	> 5500
> 5300	> 5400	> 5500	> 5600
> 5400	> 5500	> 5600	> 5700
> 5500	> 5600	> 5700	> 5800
> 5600	> 5700	> 5800	> 5900
> 5700	> 5800	> 5900	> 6000
> 5800	> 5900	> 6000	> 6100
> 5900	> 6000	> 6100	> 6200
> 6000	> 6100	> 6200	> 6300
> 6100	> 6200	> 6300	> 6400
> 6200	> 6300	> 6400	> 6500
> 6300	> 6400	> 6500	> 6600
> 6400	> 6500	> 6600	> 6700
> 6500	> 6600	> 6700	> 6800
> 6600	> 6700	> 6800	> 6900
> 6700	> 6800	> 6900	> 7000
> 6800	> 6900	> 7000	> 7100
> 6900	> 7000	> 7100	> 7200
> 7000	> 7100	> 7200	> 7300
> 7100	> 7200	> 7300	> 7400
> 7200	> 7300	> 7400	> 7500
> 7300	> 7400	> 7500	> 7600
> 7400	> 7500	> 7600	> 7700
> 7500	> 7600	> 7700	> 7800
> 7600	> 7700	> 7800	> 7900
> 7700	> 7800	> 7900	> 8000
> 7800	> 7900	> 8000	> 8100
> 7900	> 8000	> 8100	> 8200
> 8000	> 8100	> 8200	> 8300
> 8100	> 8200	> 8300	> 8400
> 8200	> 8300	> 8400	> 8500
> 8300	> 8400	> 8500	> 8600
> 8400	> 8500	> 8600	> 8700
> 8500	> 8600	> 8700	> 8800
> 8600	> 8700	> 8800	> 8900
> 8700	> 8800	> 8900	> 9000
> 8800	> 8900	> 9000	> 9100
> 8900	> 9000	> 9100	> 9200
> 9000	> 9100	> 9200	> 9300
> 9100	> 9200	> 9300	> 9400
> 9200	> 9300	> 9400	> 9500
> 9300	> 9400	> 9500	> 9600
> 9400	> 9500	> 9600	> 9700
> 9500	> 9600	> 9700	> 9800
> 9600	> 9700	> 9800	> 9900
> 9700	> 9800	> 9900	> 10000