

HDW15U3S1 Silver

HDW15U3B1 Black

Built-under Dishwasher, 60cm, Steam

15 Place Settings



Haier

Height

820 - 880mm

Width

597mm

Depth

574mm

Weight (Packaged)

56kg

Weight (Product)

49kg

FEATURES

- Designed to be built under your benchtop, fitting flush with cabinetry
- Generous 15 place setting capacity, easily accommodating plate sizes up to 320mm
- Styled to match Haier refrigerator models for a consistent kitchen look
- ThermoDry system and auto door opening at the end of the cycle for effective drying
- An innovative air curtain channels the steam away from the adjacent benchtop, protecting cabinetry
- 4.5 star energy rating and 5.5 star water rating*
- Eight wash cycles including Auto, 60 Min, Eco, Hygiene and Glass
- Four wash modifiers including Half Load, +Dry, Steam and Intensive
- Twin LED lights illuminate the interior, making it easier to load and unload dishes
- Wi-Fi connected for remote control using the SmartHQ™ app and helpful alerts
- Easy-lift, height-adjustable middle basket and foldable cup racks with stemware supports
- Quiet wash performance with a 42dBa noise rating**
- Easy-to-read interface with touch capacitive controls, delay start and key lock options

ACCESSORIES

Full width cutlery tray and cutlery basket

Drain hose support

Inlet hose

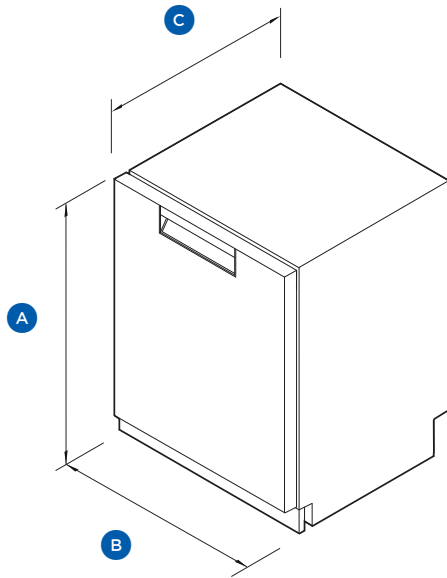
* Energy and water ratings subject to change. Final certification pending.

** Noise rating subject to change.

The models shown in this Specification Guide (SG) may not be available in all markets and are subject to change at any time. Product specifications may vary from those shown. This SG should not be used as installation guidance for any product. Further information is required to safely and correctly install the products featured here. Specific installation guidance will be available with the product on delivery and on our website haier.com

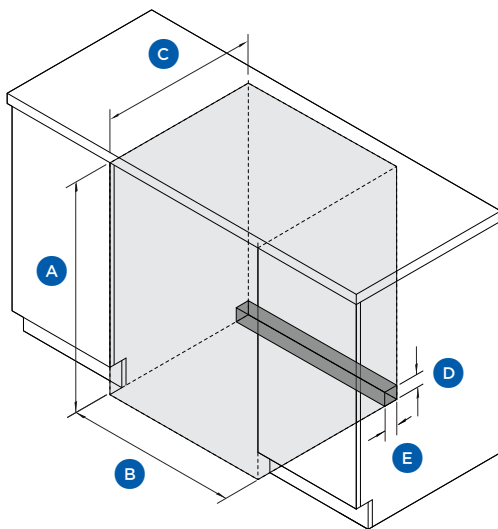
Product overview

PRODUCT DIMENSIONS



		mm
A	Overall height	820 - 880
B	Overall width	597
C	Overall depth	574

CAVITY DIMENSIONS



A	Overall height of cavity	820 - 880
B	Overall width of cavity	600
C	Minimum depth of cavity	580
D	Height of rear plumbing and electrical clearance	100-145*
E	Depth of rear plumbing and electrical clearance	60

*depending on feet height

SERVICES

Supply	220-240 V, 50 Hz, 10 A
Plumbing	3/4 BSP (20mm) connector water inlet hose Min. 34.5kPa, max 1034kPa Cold water connection 20C

The models shown in this Specification Guide (SG) may not be available in all markets and are subject to change at any time. Product specifications may vary from those shown. This SG should not be used as installation guidance for any product. Further information is required to safely and correctly install the products featured here. Specific installation guidance will be available with the product on delivery and on our website haier.com