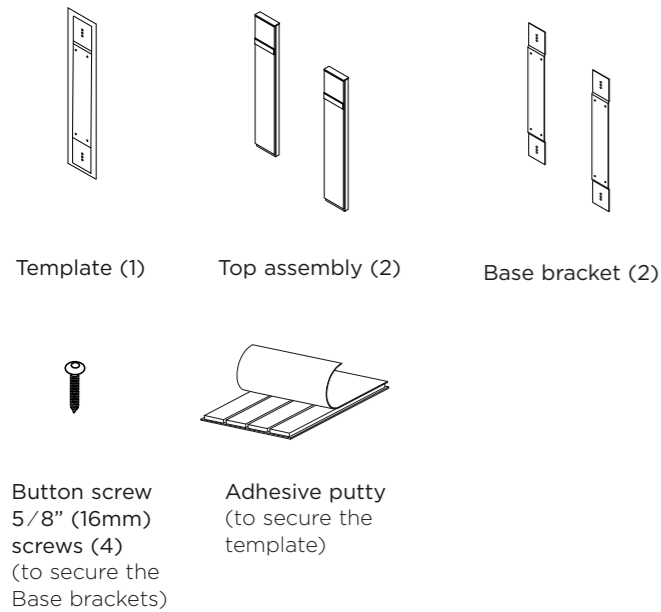


Keep this document handy for easy reference.

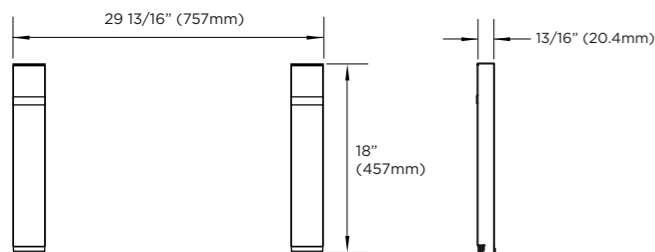
- This Trim Kit is designed to complement your companion product if installing into 30" (760mm) wide cabinetry.
- For contact information or if you require service, assistance or replacement parts, see your 'Service & warranty' booklet.
- For more information on installing, see your Trim Kit 'Installation guide.'

This Trim Kit is designed to be installed ONLY with the FISHER & PAYKEL
 - Companion Coffee Maker EB24/EB60
 - or in combination with OB30/OB76 Ovens

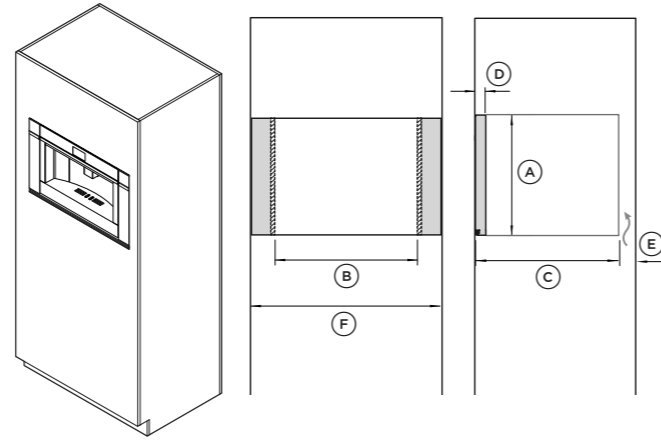
PARTS SUPPLIED



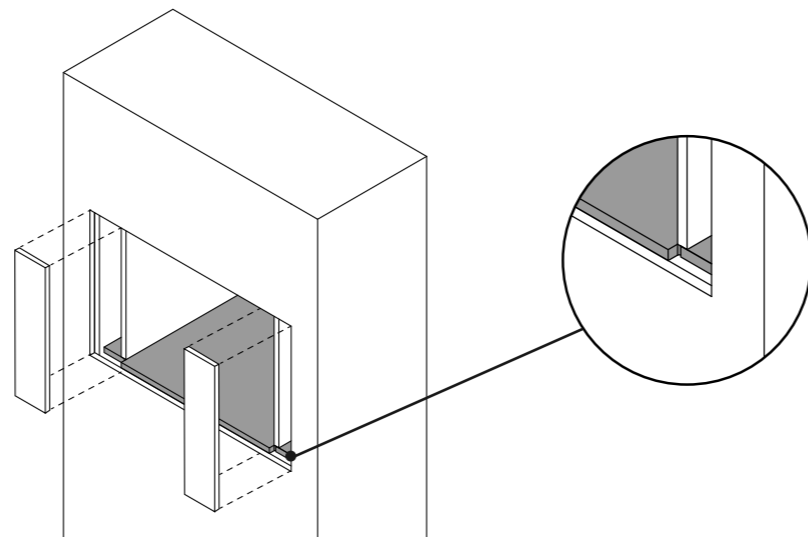
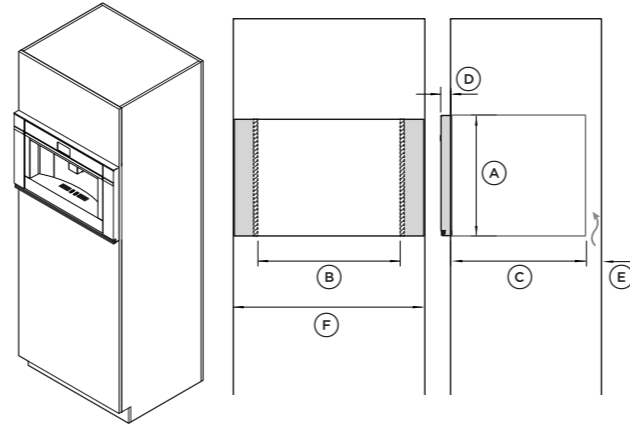
TRIM KIT DIMENSIONS



FLUSH



PROUD



We recommend installing two parallel, vertical panels adjacent to the cavity to create an optimal fixing location for the trim kit.

We recommend notching of the upper and lower shelves to create positional tolerance for these panels.

CABINERY DIMENSIONS

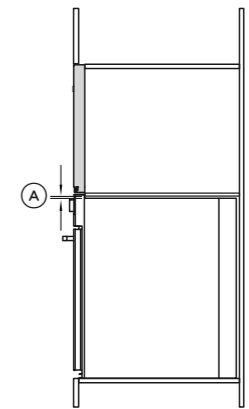
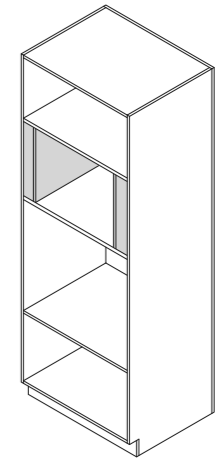
PRODUCT DIMENSIONS	MM	INCH
Ⓐ Minimum internal cabinetry height	440	18 1/8
Ⓑ Minimum internal cabinetry width	560	22 1/6
Ⓒ Minimum internal cabinetry depth	572	22 1/2
Ⓓ Trim depth	20.4	13/16
Ⓔ Ventilation cutout depth	50	1 15/16
Ⓕ Minimum overall cabinetry width	761	29 15/16

CABINERY DIMENSIONS

PRODUCT DIMENSIONS	MM	INCH
Ⓐ Minimum internal cabinetry height	440	18 1/8
Ⓑ Minimum internal cabinetry width	560	22 1/6
Ⓒ Minimum internal cabinetry depth	560	22 1/6
Ⓓ Trim depth	20.4	13/16
Ⓔ Ventilation cutout depth	50	1 15/16
Ⓕ Minimum overall cabinetry width	761	29 15/16

MULTI

Example installation with OB30/OB76.



Ⓐ | A 12mm (1/2") dividing hardwood shelf is required between appliances in a multi-install.