

**INTEGRATED DISHWASHER**

---

# PLANNING GUIDE

---

**SERIES 9**

**INTEGRATED HEAT PUMP DISHWASHER | DW60U4EI3**

**INTRODUCTION**

This comprehensive planning guide provides you with the framework and tools to achieve your desired design outcome with Fisher & Paykel appliances. In this guide, you will find a range of conceptual, detailed, and dimensional product information to bring your ideas to life and create spaces that truly reflect your vision.

**SUPPORT**

For additional design planning and installation support please contact the Fisher & Paykel design support team.  
**designsupport@fisherpaykel.com**

**NOTES**

The models shown in this Planning Guide may not be available in all markets and are subject to change at any time. Refer to our website [fisherpaykel.com](http://fisherpaykel.com) for the latest document version. Product specifications may vary from those shown. This Planning Guide should not be used as installation guidance for any product. Specific installation guidance will be available with the product on delivery and on our website.

---

**CONCEPT DESIGN** **PAGE**

---

<b>SPECIFICATION GUIDE</b>	
Integrated Heat Pump Dishwasher	<b>4</b>

---

**DEVELOPED AND DETAILED DESIGN** **PAGE**

---

---

**DEVELOPED AND DETAILED DESIGN** **PAGE**

---

## SPECIFICATION GUIDE



Integrated Heat Pump Dishwasher with Custom Door Panel



Integrated Heat Pump Dishwasher with Stainless Steel Door Panel ADDW60PX

### OVERVIEW

Our most energy efficient model, this Integrated Dishwasher features the latest innovation in Heat Pump Technology to reduce energy use.

### PRODUCTS

#### DW60U4E13\*

Series 9, Integrated Heat Pump Dishwasher

\*Handles sold separately.

### SERIES & STYLE

Series 9

Integrated

### ACCESSORIES

Stainless Steel Door Panel - ADDW60PX

Handles - Handles are available in Contemporary, Professional, and Classic styles. Options include brushed aluminium and stainless steel finishes. One handle is required for this model.

### FEATURES

- ① Heat Pump technology helps reduce energy usage by up to 50%\* compared to a standard dishwasher
- ② Designed to be integrated into cabinetry for a seamless finish, this model can be installed under a bench with a minimum height of 820mm
- ③ Auto Door Open ensures beautifully dry dishes with less energy
- ④ Air Curtain channels steam away from the benchtop to protect cabinetry
- ⑤ Flexible racking, pitch-adjustable tines, and glassware supports provide tailored care for a wide range of items, from wine glasses to oven trays
- ⑥ Nine wash programs including specialty Auto, Eco, 60 Min and Glassware cycles
- ⑦ Quiet cycle runs at as low as 39dBA, ideal for open-plan living
- ⑧ Extra Dry, Sanitise, Half Load and Intensive wash modifiers provide extra wash options
- ⑨ With touch controls, floor-light cycle status indicator and interior LED lighting
- ⑩ Wi-Fi capability and a SmartHQ™ app connectivity for remote control and notifications

\*The 50% reduction in energy usage is on Eco Cycle, compared to Fisher & Paykel DW60U412 on Eco Cycle which does not have Heat Pump technology. Quiet and 60 min cycles do not use Heat Pump technology.

**SPECIFICATIONS**

**Model Numbers**

DW60U4EI3	Series 9, Integrated Heat Pump Dishwasher
ADDW60PX	Door panel for Integrated Dishwasher

**Weight**

Packaged	60.5kg
Unpackaged	53kg

**Electrical**

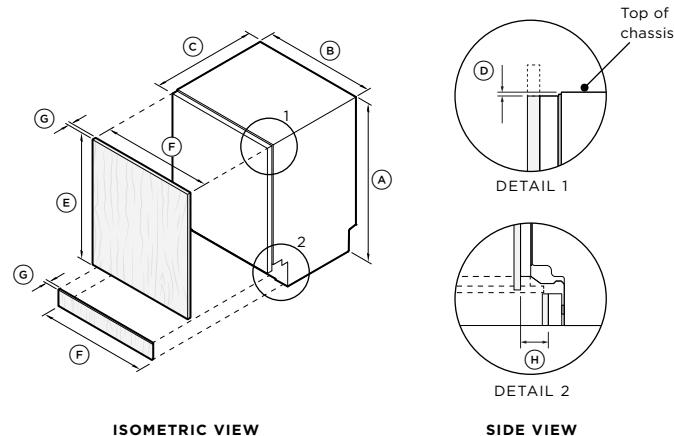
Supply	220-240 V, 50 Hz
Service	10 A
Connection	Plug with flex cord

**Plumbing**

Supply	20mm BSP connector water inlet hose
Pressure	Min 0.03 Mpa (4.35psi)

Note: Electrical and Plumbing connections to be made in adjacent cabinets either side of product.

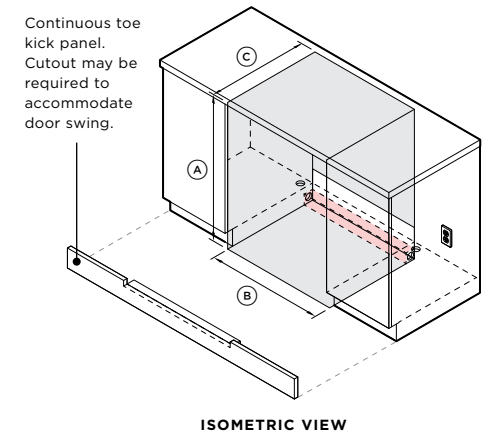
**PRODUCT DIMENSIONS**



Product Dimensions	mm
A Height of product	820 - 880
B Width of product	597
C Depth of product*	554
D Height from top of door panel to chassis	3
E Height of door panel - Custom door panel** - Accessory door panel (ADDW60PX)	min 677 716
F Width of door panel and toe kick panel - Custom door panel and toe kick panel - Accessory door panel (ADDW60PX)	min 595 595
G Thickness of door panel - Custom door panel - Accessory door panel (ADDW60PX)	min 16 18
H Depth of toe kick recess	max 80
Minimum clearance between custom panel and adjacent cabinetry	2
Depth of door opening*	640
Weight of custom door panel including handle	max 10kg

\*Excludes front panel and handle.  
\*\*Custom panel can be extended upwards in addition to stated dimension. Cabinetry clearances must be met.

**CAVITY DIMENSIONS**



Cavity Dimensions	mm
A Height of cavity	820 - 880
B Minimum width of cavity	600
C Minimum depth of cavity*	560
Supply area** - Height*** - Depth (from back of product) - Hole diameter	80 - 140 min 40 70

\*Excludes front panel and handle.  
\*\*Connections to be located in an adjacent cabinet on either side of the product.  
\*\*\*Depending on adjustment of levelling feet.

Note: The product is supplied with foam to be placed at the back of the cavity and toe kick. Cavity requires sealed base and back.

The models shown in this Planning Guide may not be available in all markets and are subject to change at any time. Product specifications may vary from those shown. This Planning Guide should not be used as installation guidance for any product. Further information is required to safely and correctly install the products featured here. Specific installation guidance will be available with the product on delivery and on our website fisherpaykel.com

