

**60CM OVENS AND COMPANIONS  
CONTEMPORARY STAINLESS STEEL**

---

# PLANNING GUIDE

---

**SERIES 9 & 11**

**PYROLYTIC OVEN | OB60SDPTDX2**

**COMBI-STEAM OVEN | OS60SDTDX2**

**COMPACT COMBI-STEAM OVEN | OS60NDTDX1**

**COMPACT COMBI-MICROWAVE OVEN | OM60NDTDX1**

**BUILT-IN COFFEE MAKER | EB60DSX1**

**WARMING DRAWER, TALL | WB60SDTB1-SET**

**WARMING DRAWER | WB60SDB1-SET**

**VACUUM SEAL DRAWER | VB60SDB1-SET**

**FISHER & PAYKEL**

This comprehensive Planning Guide provides you with the framework and tools to achieve your desired design outcome with Fisher & Paykel appliances. In this guide, you will find a range of conceptual, detailed and dimensional product information to bring your ideas to life and create spaces that truly reflect your vision.

**CONTENTS**

CONCEPT DESIGN	PAGE	DEVELOPED AND DETAILED DESIGN	PAGE	DEVELOPED AND DETAILED DESIGN	PAGE
<b>Design Choices</b>		<b>Data Sheets</b>		<b>Services</b>	
Ovens and Companions - ALL MODELS	<b>4</b>	Pyrolytic Oven	<b>19</b>	Power Cord Length and Location - COMPANIONS	<b>39</b>
Configurations - ALL MODELS	<b>5</b>	Combi-Steam Oven	<b>20</b>	Power Cord Length and Location - OVENS	<b>40</b>
Overview - ALL MODELS	<b>6</b>	Compact Combi-Steam Oven	<b>21</b>		
		Compact Combi-Microwave Oven	<b>22</b>		
<b>Specification Guides</b>		Built-in Coffee Maker	<b>23</b>		
Pyrolytic Oven	<b>8</b>	Warming Drawer, Tall	<b>24</b>		
Combi-Steam Oven	<b>9</b>	Warming Drawer	<b>25</b>		
Compact Combi-Steam Oven	<b>10</b>	Vacuum Seal Drawer	<b>26</b>		
Compact Combi-Microwave Oven	<b>11</b>				
Built-in Coffee Maker	<b>12</b>	<b>Planning Considerations</b>			
Warming Drawer, Tall	<b>13</b>	Cabinetry Preparation - ALL MODELS	<b>28</b>		
Warming Drawer	<b>14</b>	Configurations - ALL MODELS	<b>29</b>		
Vacuum Seal Drawer	<b>15</b>	Pyrolytic Oven	<b>30</b>		
Dimensions - ALL MODELS	<b>16</b>	Combi-Steam Oven	<b>31</b>		
Power, Weight and Capacity - ALL MODELS	<b>17</b>	Compact Combi-Steam Oven	<b>32</b>		
		Compact Combi-Microwave Oven	<b>33</b>		
		Built-in Coffee Maker	<b>34</b>		
		Warming Drawer, Tall	<b>35</b>		
		Warming Drawer	<b>36</b>		
		Vacuum Seal Drawer	<b>37</b>		

The models shown in this Planning Guide may not be available in all markets and are subject to change at any time. Product specifications may vary from those shown. This Planning Guide should not be used as installation guidance for any product. Further information is required to safely and correctly install the products featured here. Specific installation guidance will be available on our website [fisherpaykel.com](http://fisherpaykel.com)

## DESIGN CHOICES

**FINISH**



STAINLESS STEEL

**PYROLYTIC OVEN**

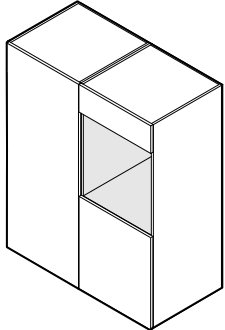
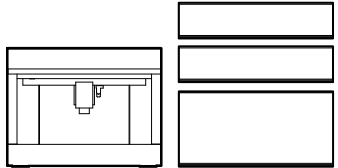
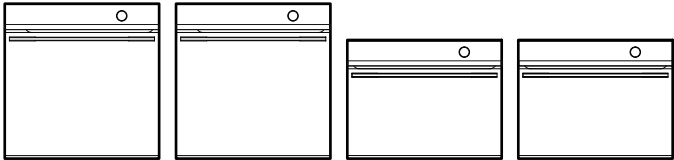
**STEAM OVENS**

**MICROWAVE OVEN**

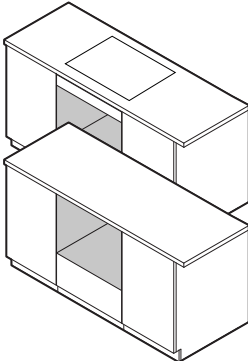
**COFFEE MAKER**

**DRAWERS\***

**INSTALLATION OPTIONS**



INSTALLATION IN WALL



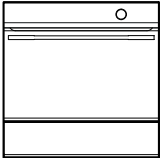
INSTALLATION UNDER-BENCH

\*Some models may not be available in all markets, please check fisherpaykel.com for more information.

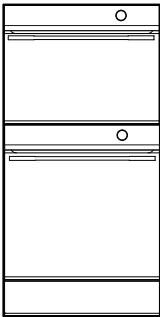
The models shown in this Planning Guide may not be available in all markets and are subject to change at any time. Product specifications may vary from those shown. This Planning Guide should not be used as installation guidance for any product. Further information is required to safely and correctly install the products featured here. Specific installation guidance will be available on our website fisherpaykel.com

**STACKED INSTALLATION**

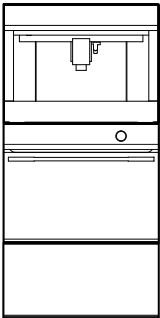
Stack Height  
600mm



Stack Height  
1200mm

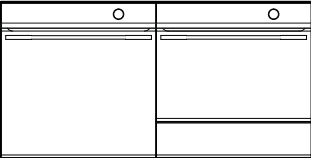


Stack Height  
1210mm

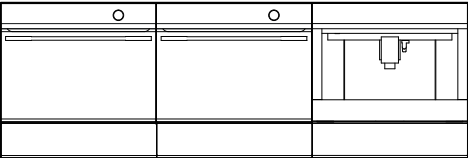


**ROW INSTALLATION**

Stack Height  
600mm

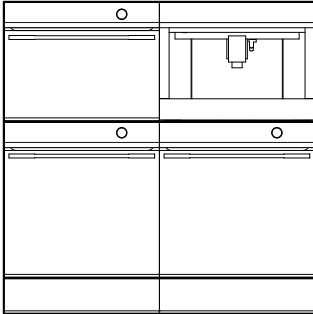


Stack Height  
600mm



**GRID INSTALLATION**

Stack Height  
1200mm

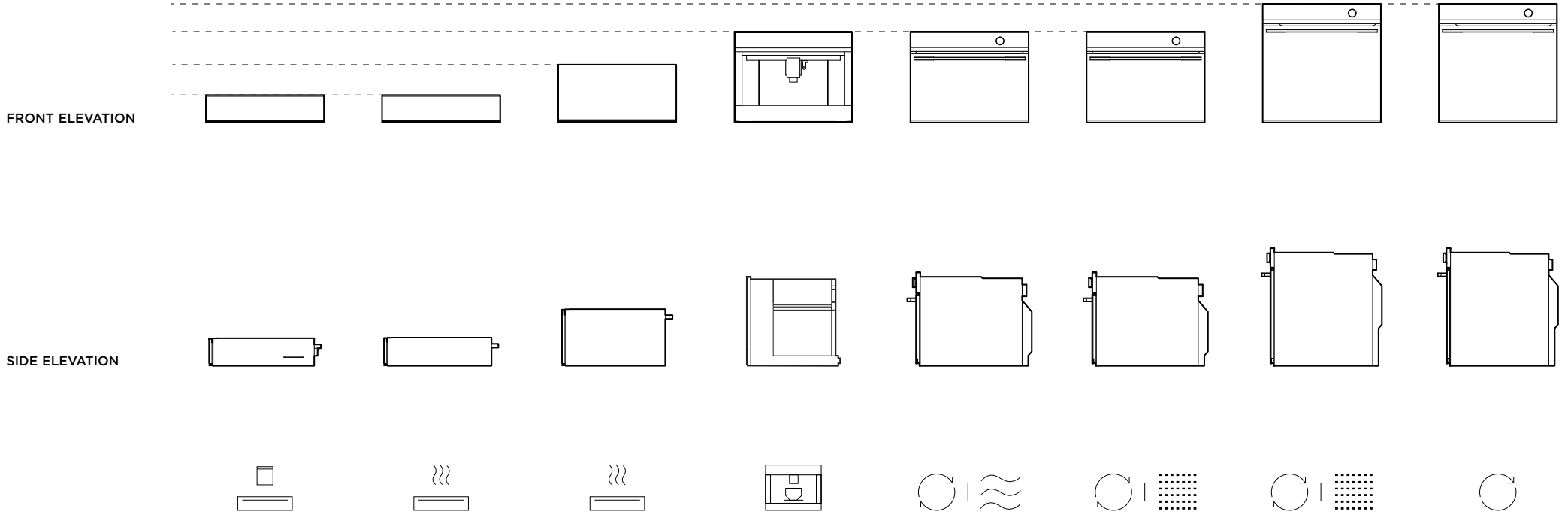



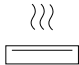
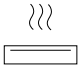
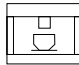
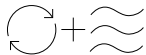
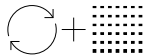
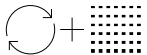

**CONSIDERATIONS**

Different configurations possible,  
consider heights.

Note: Stack Height is overall product height with minimum clearances above appliance front panel to upper cabinetry front panel or appliance.

The models shown in this Planning Guide may not be available in all markets and are subject to change at any time. Product specifications may vary from those shown. This Planning Guide should not be used as installation guidance for any product. Further information is required to safely and correctly install the products featured here. Specific installation guidance will be available on our website [fisherpaykel.com](http://fisherpaykel.com)



	 VACUUM SEAL DRAWER*	 WARMING DRAWER*	 WARMING DRAWER, TALL*	 BUILT-IN COFFEE MAKER	 COMPACT COMBI-MICRO-WAVE OVEN	 COMPACT COMBI-STEAM OVEN	 COMBI-STEAM OVEN	 PYROLYTIC OVEN
<b>Series</b>	Series 9	Series 9	Series 9	Series 9	Series 9	Series 9	Series 11	Series 9
<b>Model Codes</b>	VB60SDBI-SET	WB60SDBI-SET	WB60SDTBI-SET	EB60DSX1	OM60NDTDX1	OS60NDTDX1	OS60SDTDX2	OB60SDPTDX2
<b>Interface</b>	-	-	-	4.3" Touchscreen	5" Touchscreen	5" Touchscreen	5" Touchscreen	5" Touchscreen
<b>Overall Product Heights</b>	140mm	140mm	290mm	458mm	458mm	458mm	598mm	598mm
<b>Front Panel Thickness</b>	20mm	20mm	20mm	20mm	20mm	20mm	20mm	20mm

\*Some models may not be available in all markets, please check [fisherpaykel.com](http://fisherpaykel.com) for more information.

The models shown in this Planning Guide may not be available in all markets and are subject to change at any time. Product specifications may vary from those shown. This Planning Guide should not be used as installation guidance for any product. Further information is required to safely and correctly install the products featured here. Specific installation guidance will be available on our website [fisherpaykel.com](http://fisherpaykel.com)

## SPECIFICATION GUIDE



### OVERVIEW

Enhance your kitchen design with refined styling. Complementing the other products in our Contemporary collection, you can create a coherent, considered look with ease. Intuitive controls and the performance to deliver perfect results make this oven beautiful to use.

### PRODUCTS

**OB60SDPTDX2** - Stainless Steel  
Pyrolytic Oven, 60cm, 16 Function, Self-cleaning.  
Touchscreen, Dial

### SERIES & STYLE

Series 9  
Contemporary

### FEATURES

- ① Contemporary style, designed to fit flush with cabinetry
- ② Generous 85L total capacity with six shelf positions
- ③ Intuitive, large 5" touchscreen display with illuminated dial
- ④ 16 oven functions including Air fry, Fan Bake, and Roast
- ⑤ Pyrolytic self-cleaning function breaks down food residue for an easy clean
- ⑥ Touchscreen cooking lets your oven guide you towards the optimal outcome for the food ingredients and method of cooking
- ⑦ Moisture control and even heat distribution thanks to ActiveVent and AeroTech™ technology
- ⑧ Includes a Wired Temperature Sensor for real-time monitoring of cooking temperatures
- ⑨ Soft open and close door
- ⑩ Wi-Fi Connected capability through the SmartHQ™ app

### ACCESSORIES

- ① Full Extension Sliding Shelf
- ② Pyrolytic Proof Shelf Runners
- ③ Roasting dish, tray and rack
- ④ Wired Temperature Sensor



The models shown in this Planning Guide may not be available in all markets and are subject to change at any time. Product specifications may vary from those shown. This Planning Guide should not be used as installation guidance for any product. Further information is required to safely and correctly install the products featured here. Specific installation guidance will be available on our website [fisherpaykel.com](https://fisherpaykel.com)



**OVERVIEW**

Experience the precise control, repeatability and certainty of steam with our flagship Combination Steam Oven. Harnessing all the advantages of AeroTech™ technology, the oven features 23 functions, including steam-only, convection-only, or a combination of both. A Wired Temperature Sensor precisely monitors food in real time, while the intuitive interface and dial offer simple guided cooking, helping to ensure perfect results.

**PRODUCTS**

**OS60SDTDX2** - Stainless Steel  
Combi-Steam Oven, 60cm, 23 Function, Touchscreen, Dial

**SERIES & STYLE**

Series 11  
Contemporary

**ACCESSORIES**

- ① Chromed Shelf Runners
- ② 2x Descale Solutions
- ③ Flat Brushed Baking Tray
- ④ 2x Full Extension Sliding Shelves
- ⑤ Grill Rack
- ⑥ Large Steam Dish

**FEATURES**

- ① Contemporary style, designed to fit flush with cabinetry
- ② Generous 85L total capacity with six shelf positions
- ③ Intuitive, large 5" touchscreen display with illuminated dial
- ④ 23 oven functions including six steam-only functions
- ⑤ True temperature precision with three levels of steam with convection
- ⑥ Even heat circulation with AeroTech, ideal for multi-shelf cooking
- ⑦ Touchscreen cooking lets your oven guide you towards the optimal outcome for the food ingredients and method of cooking
- ⑧ Includes a Wired Temperature Sensor for real-time monitoring of cooking temperatures
- ⑨ Water tank capacity of 1.5L
- ⑩ Wi-Fi Connected capability through the SmartHQ™ app

**ACCESSORIES**

- ⑦ Step Down Wire Shelf
- ⑧ Large Perforated Steam Dish
- ⑨ Small Perforated Steam Dish
- ⑩ Roasting Dish
- ⑪ Smokeless Grill Tray
- ⑫ Wired Temperature Sensor



The models shown in this Planning Guide may not be available in all markets and are subject to change at any time. Product specifications may vary from those shown. This Planning Guide should not be used as installation guidance for any product. Further information is required to safely and correctly install the products featured here. Specific installation guidance will be available on our website [fisherpaykel.com](http://fisherpaykel.com)



**OVERVIEW**

With timeless Contemporary styling, the compact Combination Steam Oven fits seamlessly into any kitchen. As a companion product, this Steam Oven is designed to install easily and fit perfectly with other companion products. It features 23 functions, including steam-only, convection only, or a combination of both. Reduce the need for oils and fats with six standalone steam functions, perfect for creating flavorful and healthy restaurant-quality meals at home. Beautiful to use, the large 5" touchscreen interface has simple and intuitive guided cooking, helping to ensure perfect results.

**PRODUCTS**

**OS60NDDTX1** - Stainless Steel  
Compact Combi-Steam Oven, 60cm, 23 Function, Touchscreen, Dial

**SERIES & STYLE**

Series 9  
Contemporary

**ACCESSORIES**

- ① Full Extension Sliding Shelf
- ② Wire Shelf
- ③ Flat Brushed Baking Tray
- ④ Roasting Dish
- ⑤ Perforated Large Steam Dish

**FEATURES**

- ① Designed to fit flush with cabinetry
- ② Generous 55L total capacity with six shelf positions
- ③ Intuitive, large 5" touchscreen display with illuminated dial
- ④ 23 oven functions including Steam, Sous Vide, Air Fry and Crisp Regenerate
- ⑤ Guided touchscreen cooking makes it simple to cook by food, function or recipe
- ⑥ Moisture control and even heat distribution thanks to ActiveVent and AeroTech™ technology
- ⑦ 1.5L water tank
- ⑧ Steam Clean function ensures a spotless oven with minimal effort
- ⑨ Soft open and close door
- ⑩ Wi-Fi Connected capability through the SmartHQ™ app

**ACCESSORIES**

- ⑥ Perforated Small Steam Dish
- ⑦ Large Steam Dish
- ⑧ Wired Temperature Sensor

The models shown in this Planning Guide may not be available in all markets and are subject to change at any time. Product specifications may vary from those shown. This Planning Guide should not be used as installation guidance for any product. Further information is required to safely and correctly install the products featured here. Specific installation guidance will be available on our website [fisherpaykel.com](http://fisherpaykel.com)



### OVERVIEW

With timeless Contemporary styling, the Combination Microwave Oven is designed to fit seamlessly into any kitchen. A flexible appliance that pairs the speed of microwave cooking with oven technology, which can crisp and brown as it cooks. Featuring 22 cooking functions on an intuitive touch display for easy programming of desired cooking mode and duration. A Wired Temperature Sensor monitors cooking in real time for complete control.

### PRODUCTS

**OM60NDDTX1** - Stainless Steel  
Compact Combi-Microwave Oven, 60cm, 22 Function

### SERIES & STYLE

Series 9  
Contemporary

### ACCESSORIES

- ① Chromed Shelf Runners
- ② Glass Tray
- ③ Step Down Wire Shelf
- ④ Wire Shelf
- ⑤ Wired Temperature Sensor
- ⑥ Grill Rack

### FEATURES

- ① Contemporary style, designed to fit flush with cabinetry
- ② Compact size for smaller kitchens, and generous 49L capacity with 4 shelf positions to cook for everyday's needs
- ③ Intuitive, large 5" touchscreen display with illuminated dial
- ④ The benefits of both microwave and convection oven cooking in one
- ⑤ 22 cooking functions, including 14 traditional convection functions, 4 microwave-only functions, and 4 microwave combination functions
- ⑥ Guided touchscreen cooking makes it simple to cook by food and function
- ⑦ Includes a Wired Temperature Sensor for real-time monitoring of cooking temperatures
- ⑧ Inverter technology for fast and even heating, and quiet product operation
- ⑨ Wi-Fi Connected capability through the SmartHQ™ app

The models shown in this Planning Guide may not be available in all markets and are subject to change at any time. Product specifications may vary from those shown. This Planning Guide should not be used as installation guidance for any product. Further information is required to safely and correctly install the products featured here. Specific installation guidance will be available on our website [fisherpaykel.com](http://fisherpaykel.com)



### OVERVIEW

The Built-in Coffee Maker features a stylish stainless steel finish and can be installed in multiple configurations to suit kitchen design and preference. With 13 beverage options, our Coffee Maker is designed to consistently pour delicious coffee - from Flat White to Latte or Americano. It remembers your favourite brews over time, offering personalized coffee at the touch of a button. A programmable timer turns the Coffee Maker on at the ideal time each day, while the conical burr grinder delivers a consistent grind for a perfect coffee.

### PRODUCTS

**EB60DSX1** - Stainless Steel  
Built-in Coffee Maker, 60cm, Touchscreen

### SERIES & STYLE

Series 9  
Contemporary

### FEATURES

- ① Designed to pair perfectly with 60cm ovens and companion products
- ② Stylish stainless steel finish
- ③ Install in multiple configurations to suit your kitchen design
- ④ Intuitive touch display
- ⑤ 13 functions to suit any taste and selection - from Espresso to Latte
- ⑥ Personalized coffee and smart self-learning menu preferences
- ⑦ Stainless steel conical burr grinder with 13 coarseness positions
- ⑧ 15 bar pump pressure
- ⑨ Self-cleaning function and easy to empty coffee grounds container and drip tray
- ⑩ 2.4L water tank capacity

### ACCESSORIES

- ① Thermal milk jug 0.5L
- ② Water filter
- ③ Coffee spoon
- ④ Extractable steam outlet
- ⑤ Descaling agent bottle



The models shown in this Planning Guide may not be available in all markets and are subject to change at any time. Product specifications may vary from those shown. This Planning Guide should not be used as installation guidance for any product. Further information is required to safely and correctly install the products featured here. Specific installation guidance will be available on our website [fisherpaykel.com](https://fisherpaykel.com)



### OVERVIEW

Designed to complement our Contemporary style ovens, these warming drawers are handle-free, and push-to-open for a coherent, considered look. Beautiful to use, with capacitive touch controls and six tailored functions for warming, proofing, dehydrating and slow cook. Pair with other companion products to create a kitchen suite for every need.

### PRODUCTS

**WB60SDTB1-SET** - Black Glass  
Warming Drawer, Tall, 60cm, Panel Ready\*

\*This model comes with an accessory door panel, and is not suitable for use with a custom door panel

Note: Some models may not be available in all markets, please check [fisherpaykel.com](http://fisherpaykel.com) for more information.

### SERIES & STYLE

Series 9  
Contemporary

### FEATURES

- ① Seamless pairing with our Contemporary style ovens and other companion products
- ② Push-to-open drawer
- ③ Easy-to-use capacitive touch controls
- ④ Automatic timing and switch-off functionality
- ⑤ Easy-to-clean, smooth-glass base
- ⑥ Room for 16 standard-sized place settings
- ⑦ Versatile with six tailored programmes for warming, proofing, dehydrating and slow cook



Warming Drawer, Tall WB60SDTB1-SET, paired with Compact Combi-Steam Oven OS60NDDX1

### ACCESSORIES

- ① Accessory rack for optimising space

The models shown in this Planning Guide may not be available in all markets and are subject to change at any time. Product specifications may vary from those shown. This Planning Guide should not be used as installation guidance for any product. Further information is required to safely and correctly install the products featured here. Specific installation guidance will be available on our website [fisherpaykel.com](http://fisherpaykel.com)



### OVERVIEW

Designed to complement our Contemporary style ovens, these warming drawers are handle-free, and push-to-open for a coherent, considered look. Beautiful to use, with capacitive touch controls and six tailored functions for warming, proofing, dehydrating and slow cook. Pair with other companion products to create a kitchen suite for every need.

### PRODUCTS

**WB60SDB1-SET** - Black  
Warming Drawer, 60cm, Panel Ready\*

\*This model comes with an accessory door panel, and is not suitable for use with a custom door panel.

Note: Some models may not be available in all markets, please check [fisherpaykel.com](http://fisherpaykel.com) for more information.

### SERIES & STYLE

Series 9  
Contemporary

### FEATURES

- ① Seamless pairing with our Contemporary style ovens and other companion products
- ② Push-to-open drawer
- ③ Easy-to-use capacitive touch controls
- ④ Easy-to-clean, smooth-glass base
- ⑤ Room for six standard-sized place settings
- ⑥ Automatic timing, switch-off functionality
- ⑦ Interior LED lighting
- ⑧ Versatile with six tailored programmes for warming, proofing, dehydrating and slow cook



Warming Drawer WB60SDB1-SET, paired with Compact Combi-Steam Oven OS60NDTX1

The models shown in this Planning Guide may not be available in all markets and are subject to change at any time. Product specifications may vary from those shown. This Planning Guide should not be used as installation guidance for any product. Further information is required to safely and correctly install the products featured here. Specific installation guidance will be available on our website [fisherpaykel.com](http://fisherpaykel.com)



**OVERVIEW**

Designed to match our Contemporary style appliances, the Vacuum Seal Drawer is the ideal companion for our Combination Steam Oven. Prepares food for sous vide cooking, or vacuum sealing for marinating, food storage and portioning and resealing. Beautiful to use, with capacitive touch controls, these drawers deliver the performance to achieve perfect results.

**PRODUCTS**

**VB60SDB1-SET** - Black  
 Vacuum Seal Drawer, 60cm, Panel Ready\*

\*This model comes with an accessory door panel, and is not suitable for use with a custom door panel.

Note: Some models may not be available in all markets, please check [fisherpaykel.com](http://fisherpaykel.com) for more information.

**SERIES & STYLE**

Series 9  
 Contemporary

**FEATURES**

- ① Seamless pairing with our Contemporary style ovens and other companion products
- ② Push-to-open drawer
- ③ Three levels of vacuum and heat sealing
- ④ Easy-to-clean base
- ⑤ Easy-to-use capacitive touch controls
- ⑥ Vacuum sealing for easy food portioning, marinating, storage and extended shelf life, or re-sealing
- ⑦ Effortless preparation for sous vide cooking
- ⑧ Maintenance and moisture indicator



Vacuum Seal Drawer VB60SDB1-SET, paired with Compact Combi-Steam Oven OS60NDTDX1

**ACCESSORIES**

- ① External vacuuming accessory kit
- ② Large BPA free vacuum seal bags (50 bags, part 793034)
- ③ Small BPA-free vacuum seal bags (50 bags, part 793033)

The models shown in this Planning Guide may not be available in all markets and are subject to change at any time. Product specifications may vary from those shown. This Planning Guide should not be used as installation guidance for any product. Further information is required to safely and correctly install the products featured here. Specific installation guidance will be available on our website [fisherpaykel.com](http://fisherpaykel.com)

<b>PRODUCT DIMENSIONS</b>								
<b>CAVITY DIMENSIONS</b>								
	<b>VACUUM SEAL DRAWER</b> VB60SDBI-SET	<b>WARMING DRAWER</b> WB60SDBI-SET	<b>WARMING DRAWER, TALL</b> WB60SMTBI-SET	<b>BUILT-IN COFFEE MAKER</b> EB60DSX1	<b>COMPACT COMBI-MICRO-WAVE OVEN</b> OM60NDTX1	<b>COMPACT COMBI-STEAM OVEN</b> OS60NDTX1	<b>COMBI-STEAM OVEN</b> OS60SDTX2	<b>PYROLYTIC OVEN</b> OB60SDPTDX2

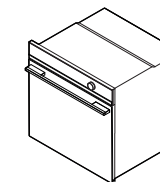
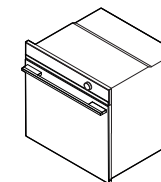
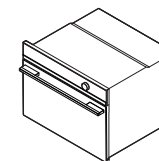
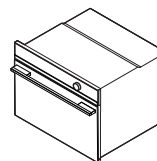
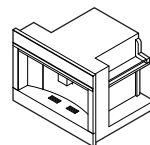
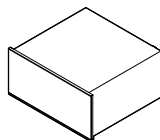
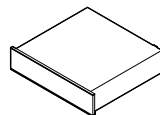
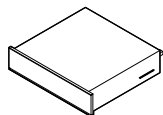
<b>PRODUCT DIMENSIONS</b>	
Ⓐ Overall height	140mm
Ⓑ Overall width	596mm
Ⓒ Chassis height	140mm
Ⓓ Chassis width	556mm**
Ⓔ Chassis depth	545mm
Ⓕ Front panel thickness	20mm
Depth of oven door fully open	-

\*Measured from front of control panel (excludes dial, handle and metal trim).  
\*\*Includes side brackets

<b>CAVITY DIMENSIONS</b>	
Ⓖ Minimum inside height of cavity	142mm***
Ⓗ Minimum inside width of cavity	560mm
Ⓘ Minimum inside depth of cavity**	550mm
Recommended cabinet width	600mm

\*Requires ventilation at the rear of the cavity  
\*\*Excluding control panel  
\*\*\*Standalone installation measurement can be installed with appliance on top. Drawers can fully support 60cm Fisher & Paykel wall oven, without adding shelf in between

The models shown in this Planning Guide may not be available in all markets and are subject to change at any time. Product specifications may vary from those shown. This Planning Guide should not be used as installation guidance for any product. Further information is required to safely and correctly install the products featured here. Specific installation guidance will be available on our website [fisherpaykel.com](http://fisherpaykel.com)



**VACUUM SEAL DRAWER**  
VB60SDBI-SET

**WARMING DRAWER**  
WB60SDBI-SET

**WARMING DRAWER, TALL**  
WB60SDTB1-SET

**BUILT-IN COFFEE MAKER**  
EB60DSX1

**COMPACT COMBI-MICRO-WAVE OVEN**  
OM60NDTDX1

**COMPACT COMBI-STEAM OVEN**  
OS60NDTDX1

**COMBI-STEAM OVEN**  
OS60SDTDX2

**PYROLYTIC OVEN**  
OB60SDPTDX2

**POWER REQUIREMENTS**

Supply	220-240 V, 50 Hz	220-240 V, 50 Hz	220-240 V, 50 Hz	220-240 V, 50 Hz	220-240 V, 50 Hz	220-240 V, 50 Hz	220-240 V, 50 Hz	220-240 V, 50 Hz
Service	10 A	10 A	10 A	10 A	20 A	15 A	15 A	15 A
Connection	Flex cord with plug 1800mm	Flex cord with plug 1800mm	Flex cord 1800mm	Flex cord with plug 1700mm	Hard wired	Hard wired	Hard wired	Hard wired

**WEIGHT**

Packaged	42kg	22kg	25kg	33kg	46kg	57kg	67kg	53kg
Unpackaged	35kg	18kg	20kg	24kg	41kg	39kg	44kg	40kg

**CAPACITY**

Total oven	-	-	-	-	49L	55L	85L	85L
Total water tank	-	-	-	2.4L	-	1.5L	1.5L	-

**SERVICES**

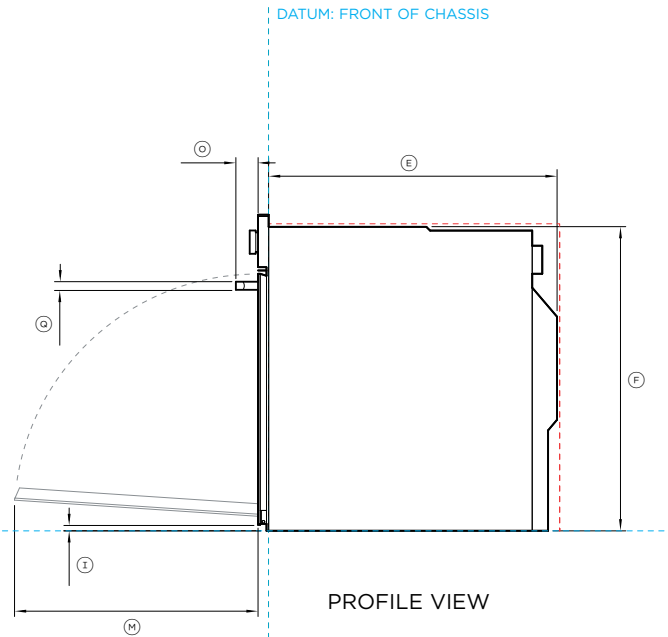
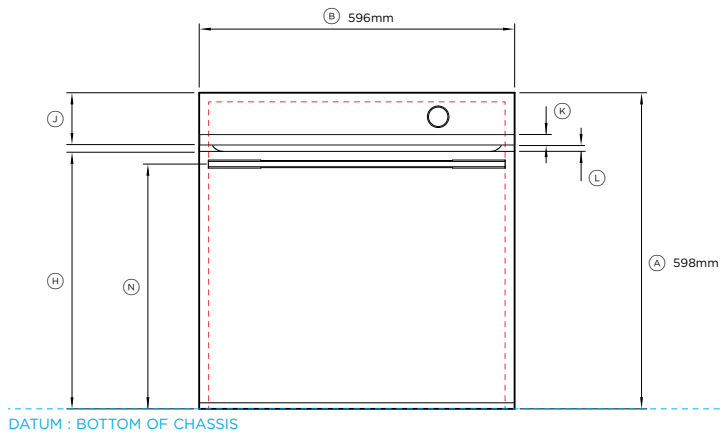
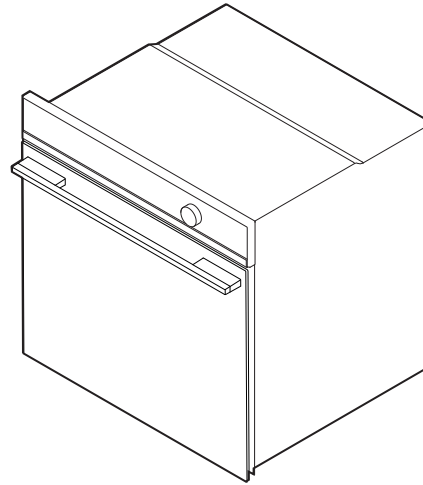
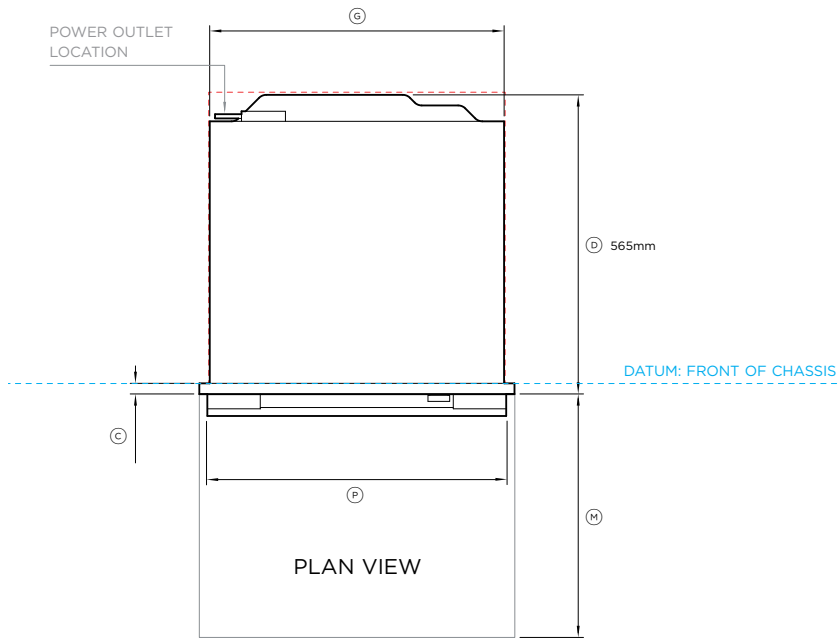
For more information on cord length, water supply and electrical requirements, refer to the 'Services' section of this Planning Guide.

**WATER**

All Coffee Makers and Steam Ovens have internal water tanks which need to be filled manually. No external water supply is required.

The models shown in this Planning Guide may not be available in all markets and are subject to change at any time. Product specifications may vary from those shown. This Planning Guide should not be used as installation guidance for any product. Further information is required to safely and correctly install the products featured here. Specific installation guidance will be available on our website [fisherpaykel.com](http://fisherpaykel.com)

## DATA SHEETS



**Model no:**

Pyrolytic Oven, 60cm - OB60SDPTDX2

**Product Dimensions**

	mm
A Overall height of product	598
B Overall width of product	596
C Depth of control panel (excludes dial, handle and metal trim)	20
D Depth of chassis and control panel (excludes dial, handle and metal trim)	565
E Depth of chassis	545
F Height of chassis	575
G Width of chassis	556
H Height from bottom datum to top of oven door	487
I Height from bottom datum to bottom of door	12
J Height of control panel	100
K Height of metal trim on control panel	20
L Gap between door and control panel	11
M Depth of door when open (measured from front of door)	460
N Height from bottom datum to centerline of handle	464
O Depth of handle (measured from front of door)	42
P Width of handle	565
Q Thickness of handle	16

**Minimum Clearances - Flush Installation**

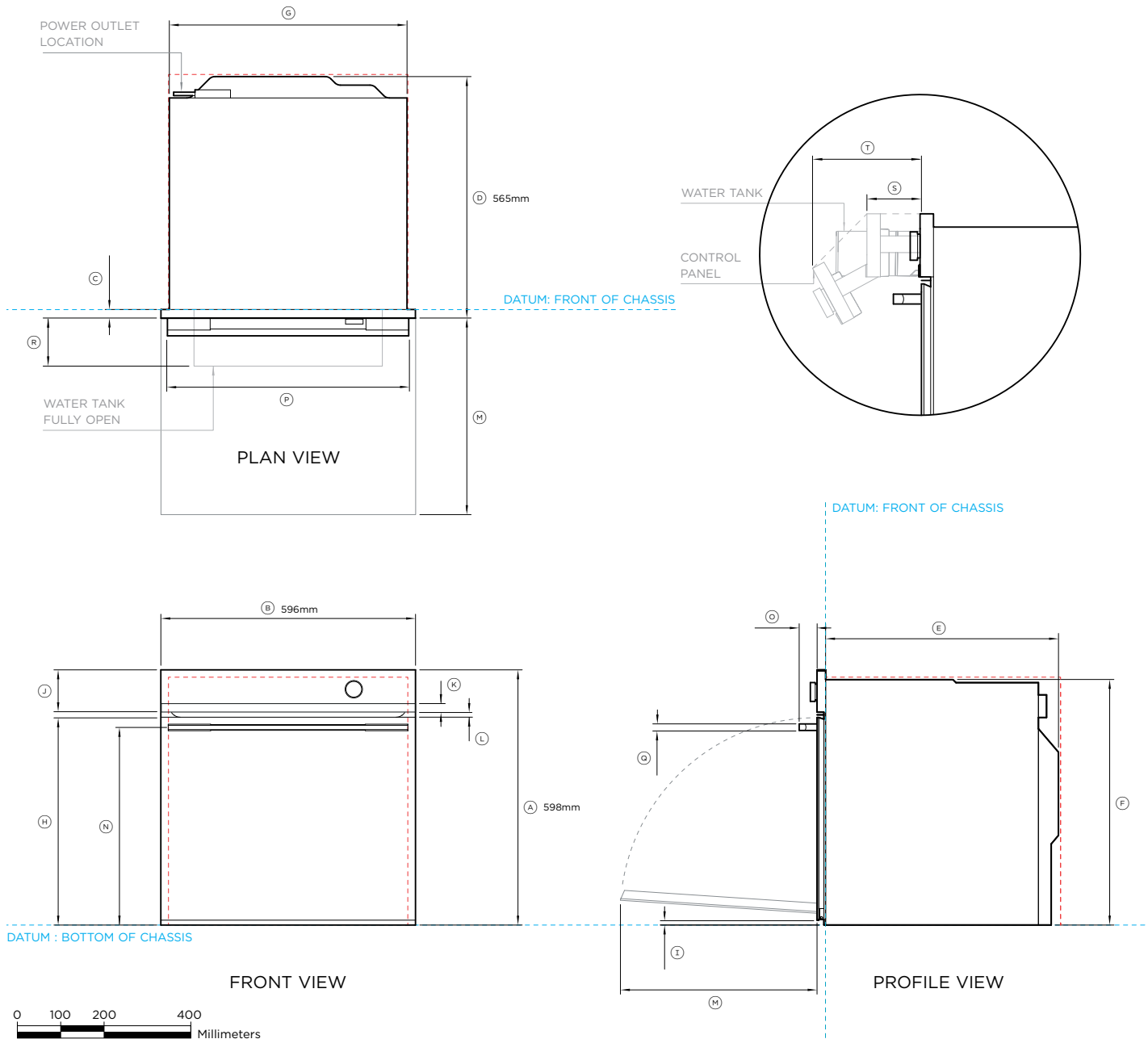
	mm
Minimum inside height of cavity	580
Minimum inside width of cavity	560
Minimum inside depth of cavity	550
Minimum clearances above oven control panel to upper cabinetry front panel or appliance	2
Minimum clearances between bottom of oven chassis to lower cabinetry front panel or appliance	2

Ensure a 5mm minimum clearance is maintained between the top of the oven chassis and the cabinetry. Ensure the oven is not bearing any weight from cabinetry or products installed above.

IMPORTANT NOTE: For full installation and clearance details please refer to our installation manual.

INDICATES PRODUCT DATUM -----  
INDICATES CABINETRY CLEARANCES - - - - -

IMPORTANT NOTE: Throughout this guide, dimensions may vary by ±2mm (1/16"). Please read the Installation Guide for detailed information on installing the product. For full installation instructions visit fisherpaykel.com



**Model no:**

Combi-Steam Oven, 60cm - OS60SDTDX2

**Product Dimensions**

	<b>mm</b>
A Overall height of product	598
B Overall width of product	596
C Depth of control panel (excludes dial, handle and metal trim)	20
D Depth of chassis and control panel (excludes dial, handle and metal trim)	565
E Depth of chassis	545
F Height of chassis	575
G Width of chassis	556
H Height from bottom datum to top of oven door	487
I Height from bottom datum to bottom of door	12
J Height of control panel	100
K Height of metal trim on control panel	20
L Gap between door and control panel	11
M Depth of door when open (measured from front of door)	460
N Height from bottom datum to centerline of handle	464
O Depth of handle (measured from front of door)	42
P Width of handle	565
Q Thickness of handle	16
R Control panel fully open (measured from front of door)	170
S Control panel half open (measured from front of door)	84
T Water tank carriage fully open (measured from front of door)	133

**Minimum Clearances - Flush Installation**

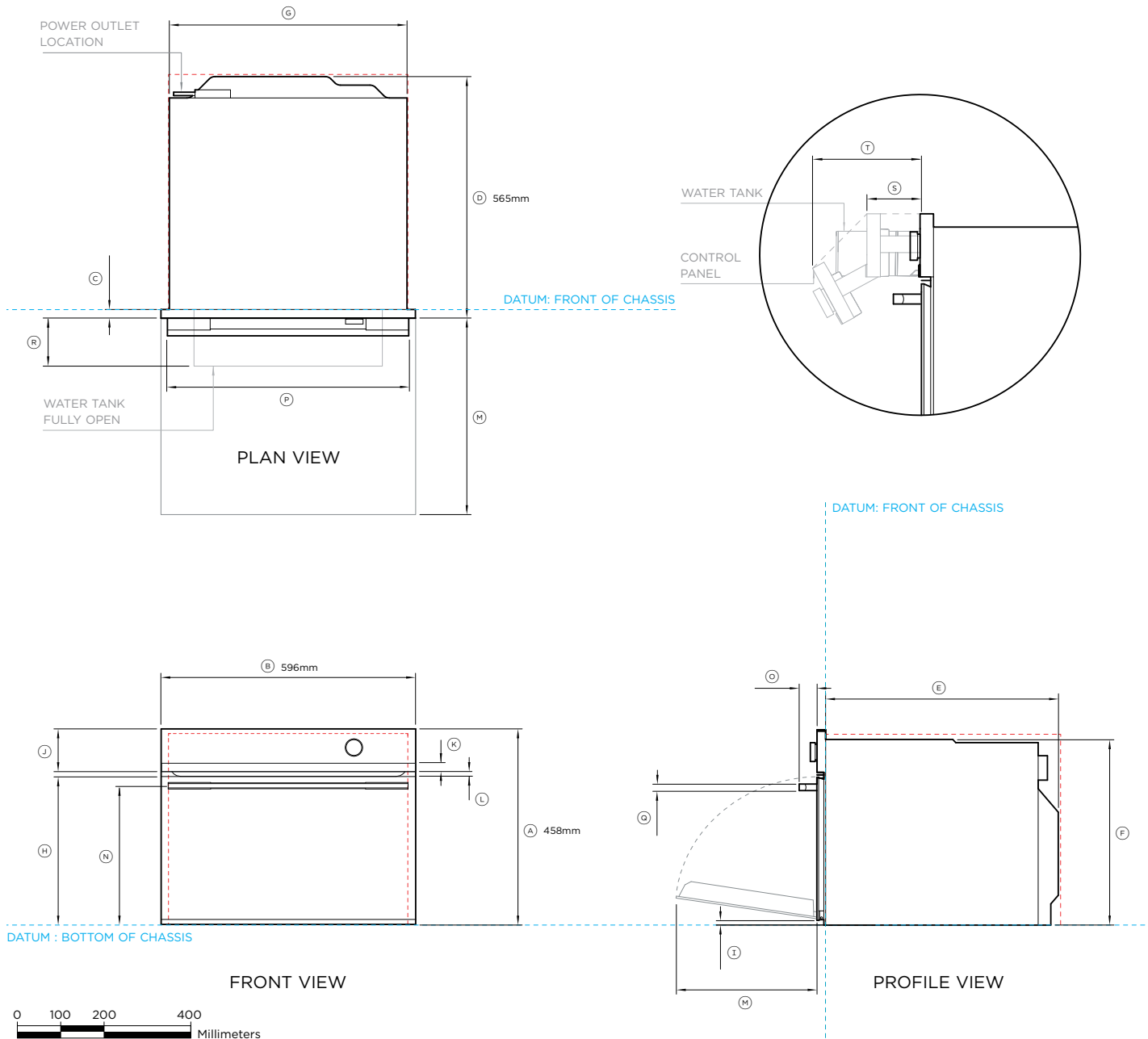
	<b>mm</b>
Minimum inside height of cavity	580
Minimum inside width of cavity	560
Minimum inside depth of cavity	550
Minimum clearances above oven control panel to upper cabinetry front panel or appliance	2
Minimum clearances between bottom of oven chassis to lower cabinetry front panel or appliance	2

Ensure a 5mm minimum clearance is maintained between the top of the oven chassis and the cabinetry. Ensure the oven is not bearing any weight from cabinetry or products installed above.

IMPORTANT NOTE: For full installation and clearance details please refer to our installation manual.

INDICATES PRODUCT DATUM - - - - -  
 INDICATES CABINETRY CLEARANCES - - - - -

IMPORTANT NOTE: Throughout this guide, dimensions may vary by ±2mm (1/16"). Please read the Installation Guide for detailed information on installing the product. For full installation instructions visit fisherpaykel.com



**Model no:**

Compact Combi-Steam Oven, 60cm - OS60NDDTX1

**Product Dimensions**

	<b>mm</b>
A Overall height of product	458
B Overall width of product	596
C Depth of control panel (excludes dial, handle and metal trim)	20
D Depth of chassis and control panel (excludes dial, handle and metal trim)	565
E Depth of chassis	545
F Height of chassis	435
G Width of chassis	556
H Height from bottom datum to top of oven door	347
I Height from bottom datum to bottom of door	12
J Height of control panel	100
K Height of metal trim on control panel	20
L Gap between door and control panel	11
M Depth of door when open (measured from front of door)	320
N Height from bottom datum to centerline of handle	324
O Depth of handle (measured from front of door)	42
P Width of handle	565
Q Thickness of handle	16
R Control panel fully open (measured from front of door)	170
S Control panel half open (measured from front of door)	84
T Water tank carriage fully open (measured from front of door)	133

**Minimum Clearances - Flush Installation**

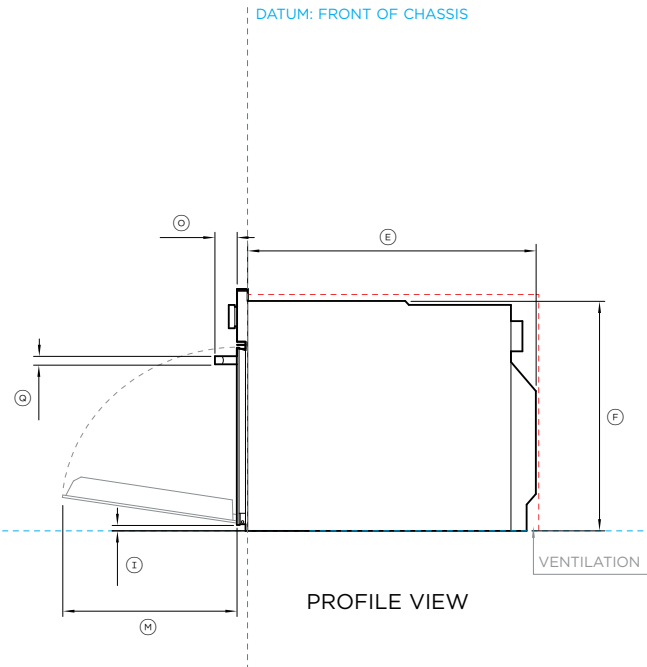
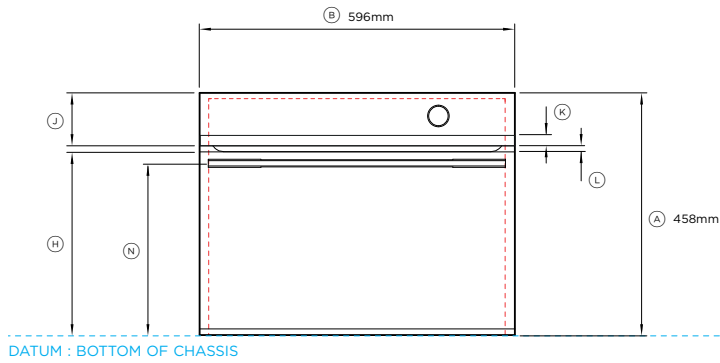
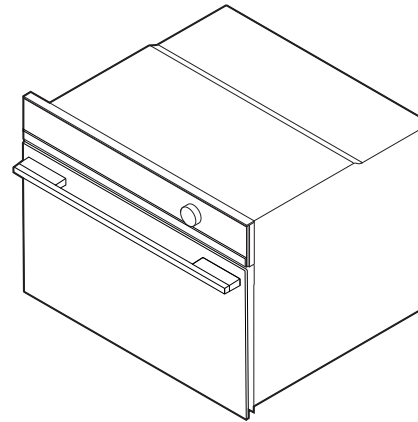
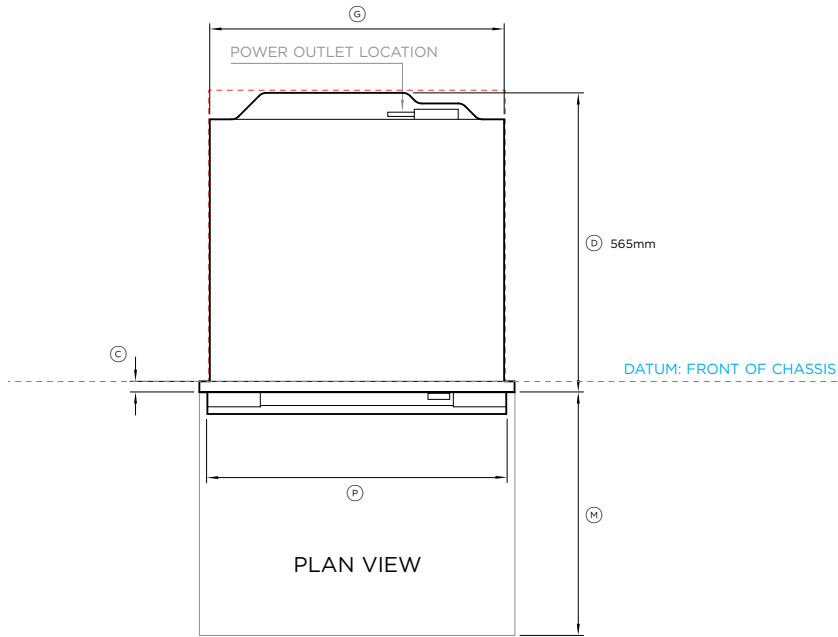
	<b>mm</b>
Minimum inside height of cavity	440
Minimum inside width of cavity	560
Minimum inside depth of cavity	550
Minimum clearances above oven control panel to upper cabinetry front panel or appliance	2
Minimum clearances between bottom of oven chassis to lower cabinetry front panel or appliance	2

Ensure a 5mm minimum clearance is maintained between the top of the oven chassis and the cabinetry. Ensure the oven is not bearing any weight from cabinetry or products installed above.

IMPORTANT NOTE: For full installation and clearance details please refer to our installation manual.

INDICATES PRODUCT DATUM -----  
 INDICATES CABINETRY CLEARANCES - - - - -

IMPORTANT NOTE: Throughout this guide, dimensions may vary by ±2mm (1/16"). Please read the Installation Guide for detailed information on installing the product. For full installation instructions visit fisherpaykel.com



**Model no:**

Compact Combi-Microwave Oven, 60cm - OM60NDTDX1

**Product Dimensions**

	mm
A Overall height of product	458
B Overall width of product	596
C Depth of control panel (excludes dial, handle and metal trim)	20
D Depth of chassis and control panel (excludes dial, handle and metal trim)	565
E Depth of chassis	545
F Height of chassis	435
G Width of chassis	556
H Height from bottom datum to top of oven door	347
I Height from bottom datum to bottom of door	12
J Height of control panel	100
K Height of metal trim on control panel	20
L Gap between door and control panel	11
M Depth of door when open (measured from front of door)	320
N Height from bottom datum to centerline of handle	324
O Depth of handle (measured from front of door)	42
P Width of handle	565
Q Thickness of handle	16

**Minimum Clearances - Flush Installation**

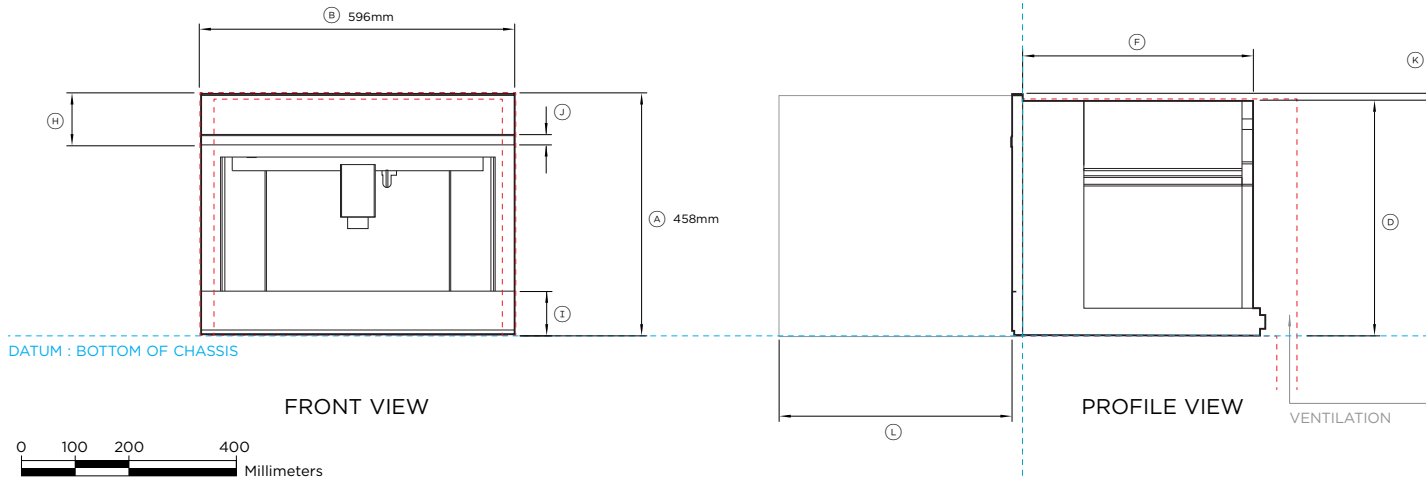
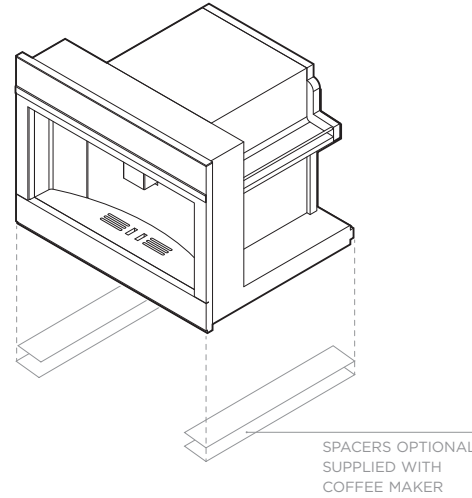
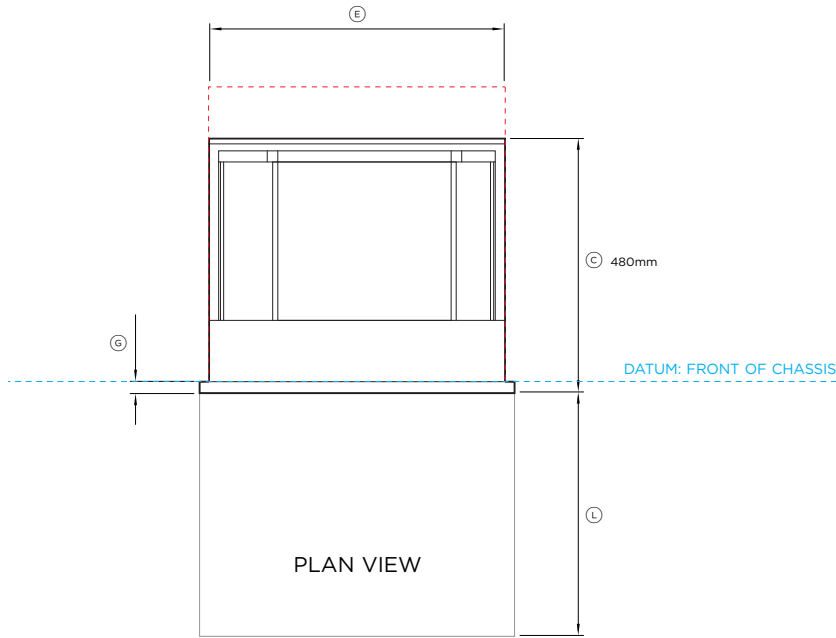
	mm
Minimum inside height of cavity	440
Minimum inside width of cavity	560
Minimum inside depth of cavity	550
Rear ventilation air vent depth*	50
Rear ventilation air vent width*	560
Minimum clearances above oven control panel to upper cabinetry front panel or appliance	2
Minimum clearances between bottom of oven chassis to lower cabinetry front panel or appliance	2

\*A rear ventilation air vent totalling 280cm<sup>2</sup> is required. The air vent must be located at the rear of the cabinet, it can be positioned at the base, sides, back or top of the cavity. Ensure a 5mm minimum clearance is maintained between the top of the oven chassis and the cabinetry. Ensure the oven is not bearing any weight from cabinetry or products installed above.

IMPORTANT NOTE: For full installation and clearance details please refer to our installation manual.

INDICATES PRODUCT DATUM - - - - -  
INDICATES CABINERY CLEARANCES - - - - -

IMPORTANT NOTE: Throughout this guide, dimensions may vary by ±2mm (1/16"). Please read the Installation Guide for detailed information on installing the product. For full installation instructions visit fisherpaykel.com



**Model no:**

Built-in Coffee Maker, 60cm - EB60DSX1

**Product Dimensions**

	<b>mm</b>
Ⓐ Overall height of product	458
Ⓑ Overall width of product	596
Ⓒ Overall depth of product (excludes front metal trim)	480
Ⓓ Height of chassis	445
Ⓔ Width of chassis	560
Ⓕ Depth of chassis	460
Ⓖ Depth of control panel (excludes metal trim)	20
Ⓗ Height of control panel	100
Ⓙ Height of horizontal lower section from bottom datum	83
Ⓝ Height of metal trim on control panel	20
Ⓧ Stepdown from control panel to chassis	13
Ⓛ Extent coffee maker pulls out	435

**Minimum Clearances - Flush Installation**

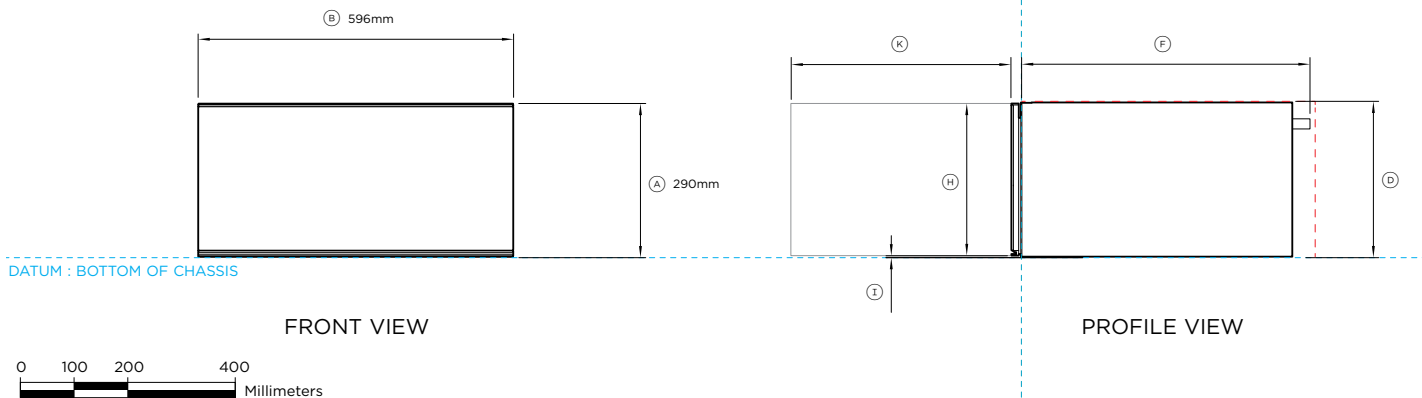
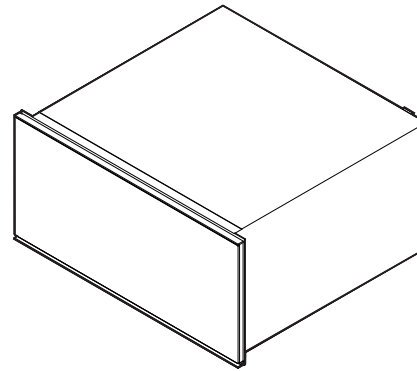
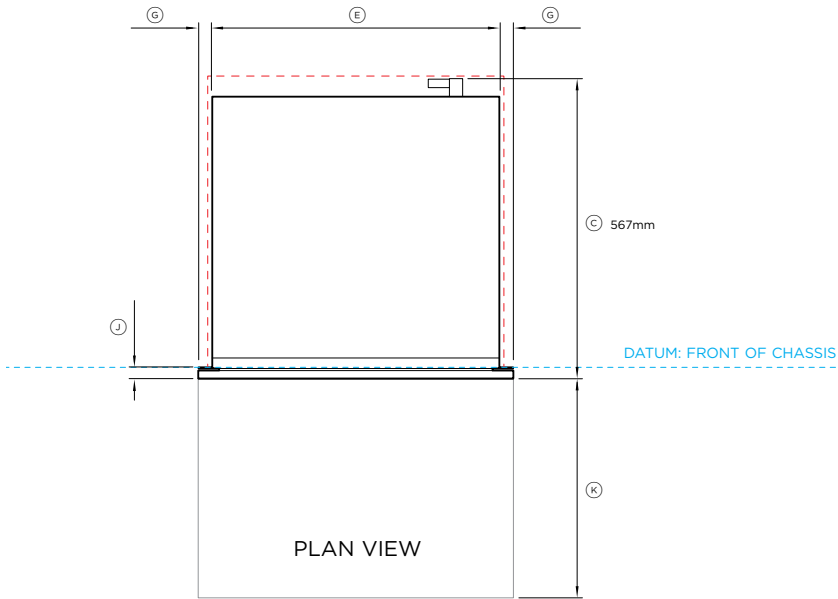
	<b>mm</b>
Minimum inside height of cavity	450
Minimum inside width of cavity	560
Minimum inside depth of cavity from front datum	545
Overall height of cabinetry	460
Overall width of cabinetry	600
Rear ventilation air vent depth*	50
Rear ventilation air vent width*	560
Minimum clearances above built-in coffee maker control panel to upper cabinetry front panel or appliance	2
Minimum clearances between bottom of coffee maker rails to lower cabinetry front panel or appliance	2

\*A rear ventilation air vent totalling 280cm<sup>2</sup> is required. The air vent must be located at the rear of cabinet. It can be positioned at the base, sides, back or top of the cavity.

IMPORTANT NOTE: For full installation and clearance details please refer to our installation manual.

INDICATES PRODUCT DATUM -----  
 INDICATES CABINETRY CLEARANCES - - - - -

IMPORTANT NOTE: Throughout this guide, dimensions may vary by ±2mm (1/16"). Please read the Installation Guide for detailed information on installing the product. For full installation instructions visit [fisherpaykel.com](http://fisherpaykel.com)



**Model no:**

Warming Drawer, Tall, 60cm - WB60SDTB1-SET

**Product Dimensions**

	<b>mm</b>
Ⓐ Overall height of product	290
Ⓑ Overall width of product	596
Ⓒ Overall depth (incl. front panel & power plug)	567
Ⓓ Height of chassis	290
Ⓔ Width of chassis	543
Ⓕ Depth of chassis (includes power plug)	547
Ⓖ Distance from side of chassis to side of drawer front	36
Ⓗ Height of drawer front panel	286
Ⓙ Height from bottom of chassis to bottom of front panel	2
Ⓝ Depth of drawer front panel and flange	20
Ⓧ Depth of open drawer (measured from front of drawer panel)	414

**Minimum Clearances - Flush Installation**

	<b>mm</b>
Minimum inside height of cavity	292
Minimum inside width of cavity	560
Minimum inside depth of cavity*	550
Overall width of cabinetry	600
Minimum clearance above drawer front panel to upper cabinetry front panel or appliance**	4
Minimum clearance between bottom of drawer chassis to lower cabinetry front panel or appliance	2

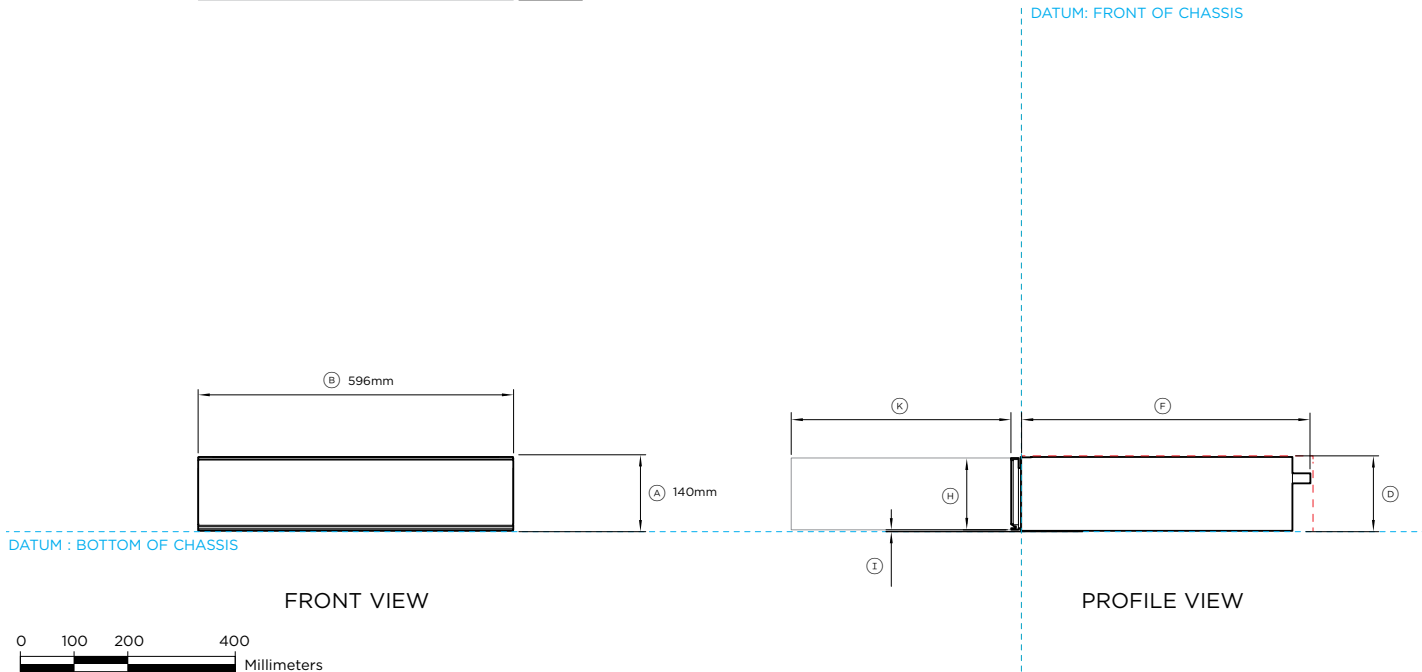
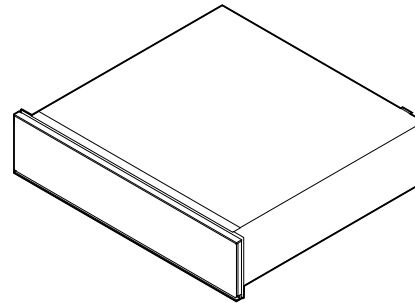
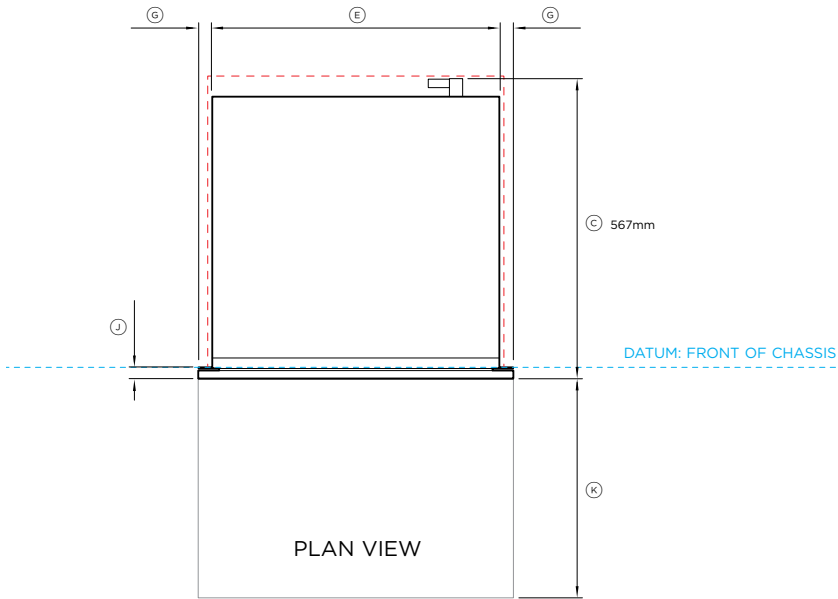
\*Measured from front of drawer panel

\*\*Achieve a smaller gap between drawer front panel to upper cabinetry front panel by dropping cabinetry front panel down

IMPORTANT NOTE: For full installation and clearance details please refer to our installation manual

INDICATES PRODUCT DATUM -----  
INDICATES CABINETRY CLEARANCES -----

IMPORTANT NOTE: Throughout this guide, dimensions may vary by ±2mm (1/16"). Please read the Installation Guide for detailed information on installing the product. For full installation instructions visit [fisherpaykel.com](http://fisherpaykel.com)



**Model no:**

Warming Drawer, 60cm - WB60SDB1-SET

**Product Dimensions**

	mm
A Overall height of product	140
B Overall width of product	596
C Overall depth (incl. front panel & power plug)	567
D Height of chassis	140
E Width of chassis	543
F Depth of chassis (includes power plug)	547
G Distance from side of chassis to side of drawer front	36
H Height of drawer front panel	136
I Height from bottom of chassis to bottom of front panel	2
J Depth of drawer front panel and flange	20
K Depth of open drawer (measured from front of drawer panel)	414

**Minimum Clearances - Flush Installation**

	mm
Minimum inside height of cavity	142
Minimum inside width of cavity	560
Minimum inside depth of cavity*	550
Overall width of cabinetry	600
Minimum clearance above drawer front panel to upper cabinetry front panel or appliance**	4
Minimum clearance between bottom of drawer chassis to lower cabinetry front panel or appliance	2

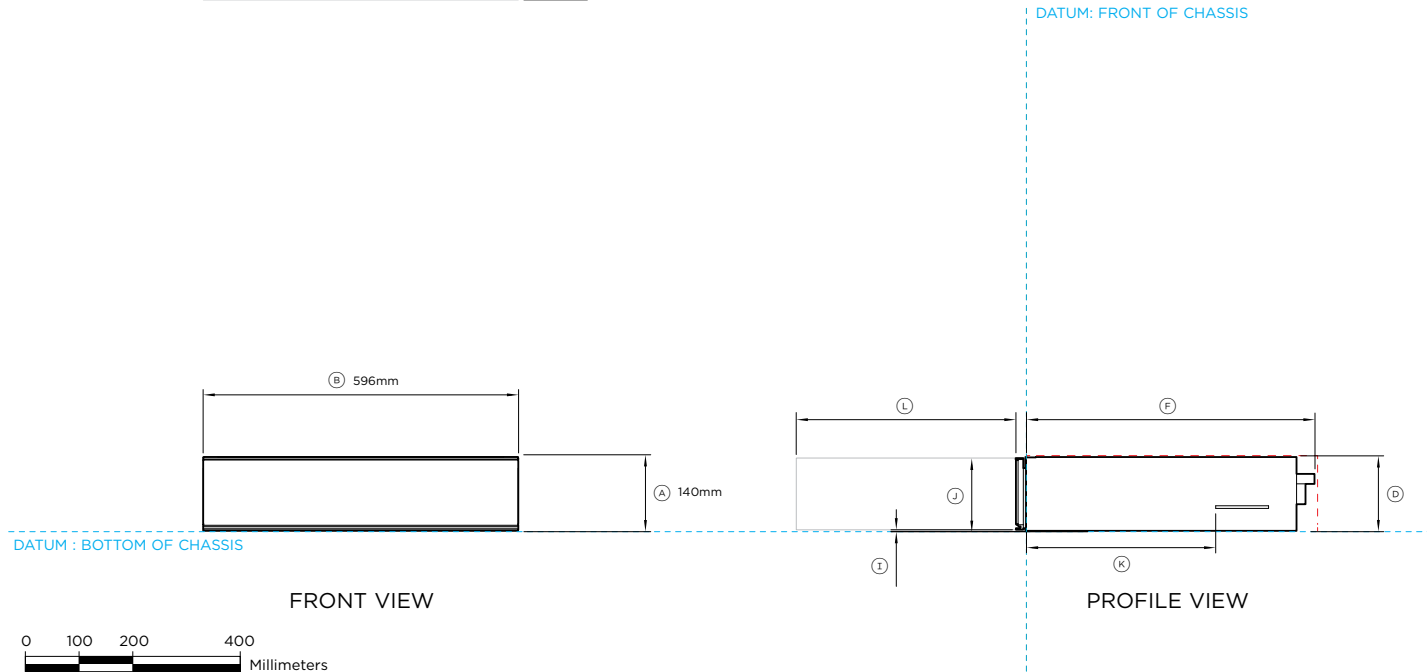
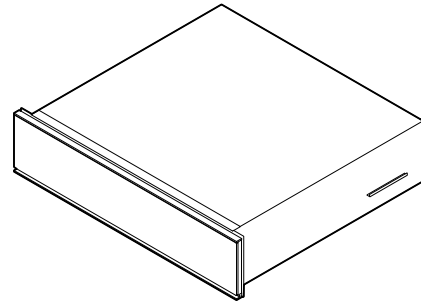
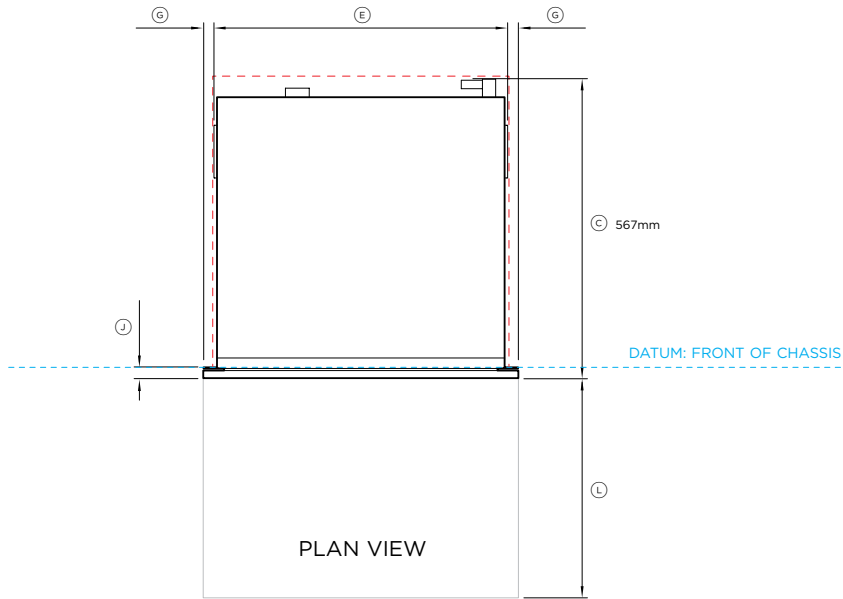
\*Measured from front of drawer panel

\*\*Achieve a smaller gap between drawer front panel to upper cabinetry front panel by dropping cabinetry front panel down

IMPORTANT NOTE: For full installation and clearance details please refer to our installation manual

INDICATES PRODUCT DATUM -----  
INDICATES CABINETRY CLEARANCES -----

IMPORTANT NOTE: Throughout this guide, dimensions may vary by ±2mm (1/16"). Please read the Installation Guide for detailed information on installing the product. For full installation instructions visit fisherpaykel.com



**Model no:**

Vacuum Seal Drawer, 60cm - VB60SDB1-SET

**Product Dimensions**

	<b>mm</b>
Ⓐ Overall height of product	140
Ⓑ Overall width of product	596
Ⓒ Overall depth (incl. front panel & power plug)	565
Ⓓ Height of chassis	140
Ⓔ Width of chassis	556
Ⓕ Depth of chassis (includes power plug)	545
Ⓖ Distance from side of chassis to side of drawer front	36
Ⓗ Height of drawer front panel	136
Ⓙ Height from bottom of chassis to bottom of front panel	2
Ⓝ Depth of drawer front panel and flange	20
Ⓚ Distance between flange and side bracket	358
Ⓛ Depth of open drawer (measured from front of drawer panel)	414

**Minimum Clearances - Flush Installation**

	<b>mm</b>
Minimum inside height of cavity	142
Minimum inside width of cavity	560
Minimum inside depth of cavity*	550
Overall width of cabinetry	600
Minimum clearance above drawer front panel to upper cabinetry front panel or appliance**	4
Minimum clearance between bottom of drawer chassis to lower cabinetry front panel or appliance	2

\*Measured from front of drawer panel

\*\*Achieve a smaller gap between drawer front panel to upper cabinetry front panel by dropping cabinetry front panel down

IMPORTANT NOTE: For full installation and clearance details please refer to our installation manual

INDICATES PRODUCT DATUM -----  
 INDICATES CABINETRY CLEARANCES - - - - -

IMPORTANT NOTE: Throughout this guide, dimensions may vary by ±2mm (1/16"). Please read the Installation Guide for detailed information on installing the product. For full installation instructions visit fisherpaykel.com

## PLANNING CONSIDERATIONS

**DIVIDING SHELF**

If the appliance front panel is thicker than the cabinetry front panel, adjust the dividing shelf depth to ensure the oven sits flush with the front of the cabinetry.

**BLACK CLASHING**

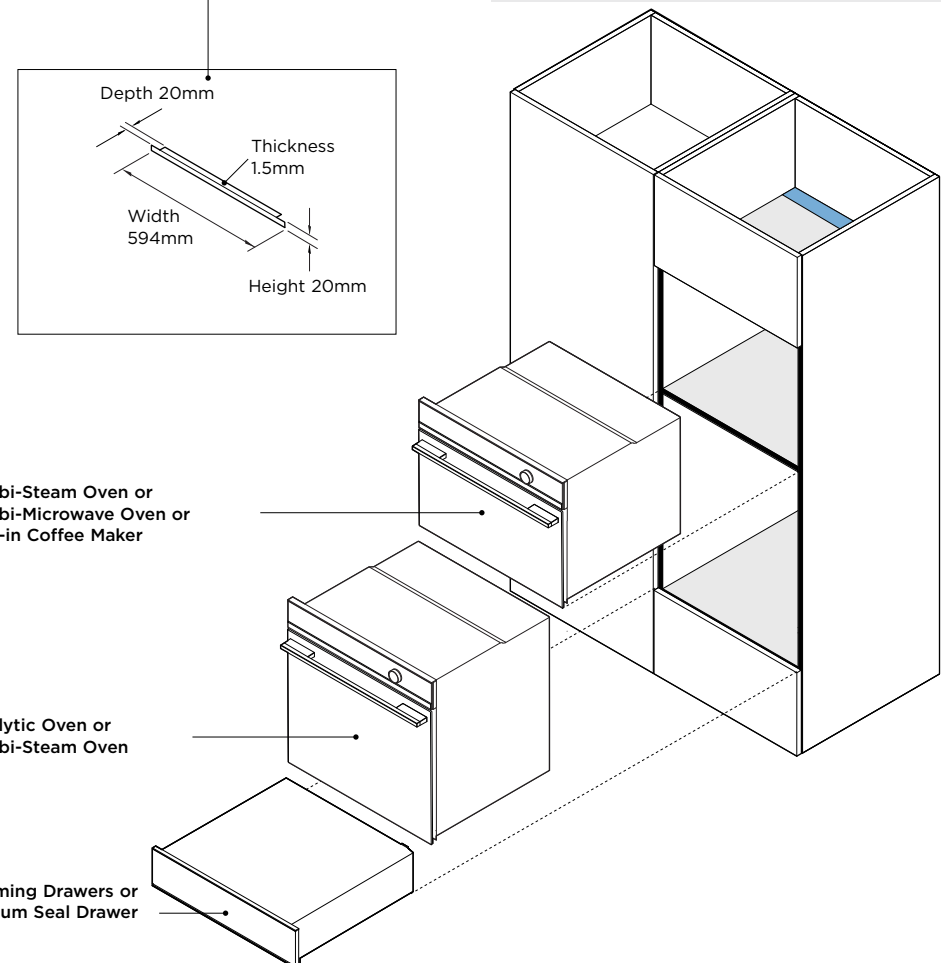
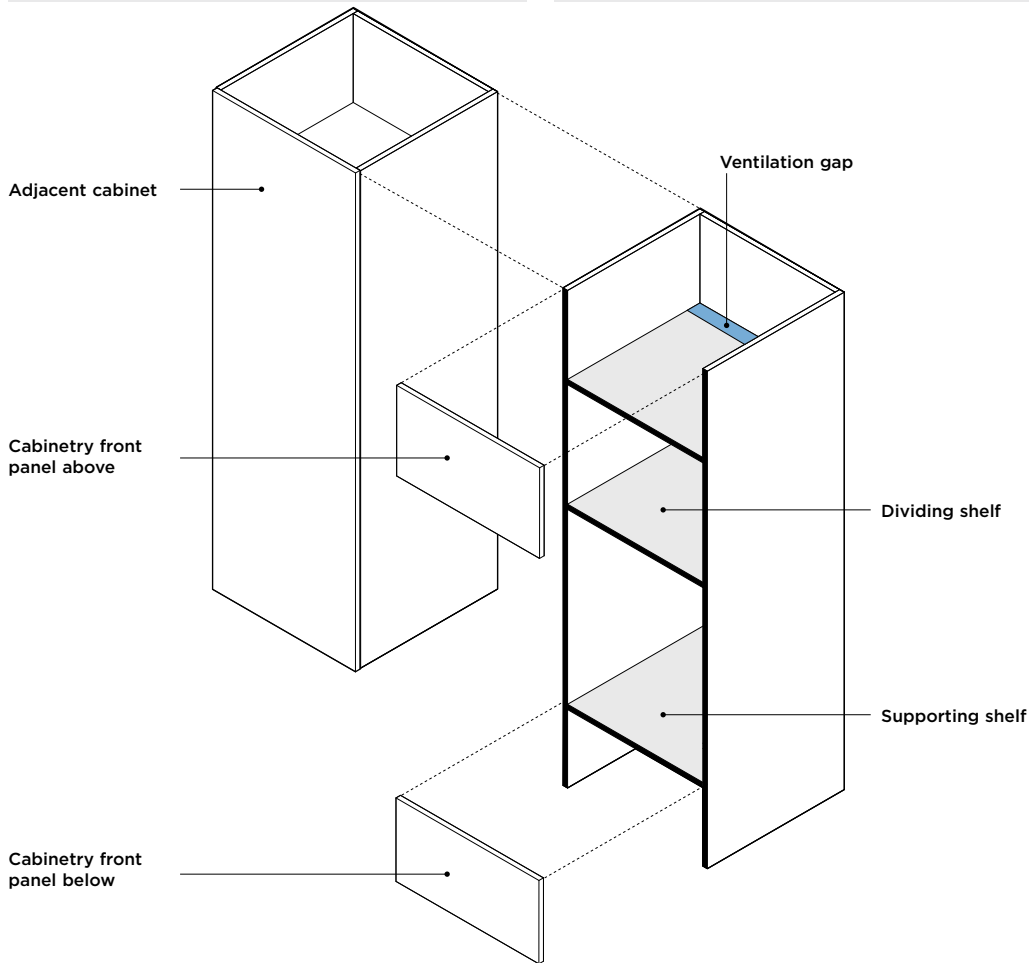
Black clashing is recommended on front facing edges where products are located and on side cabinets if cabinet is rebated.

**OVEN CABINETRY TRIM**

If using light-colored cabinets, we recommend using black cabinetry trim to help hide the cabinetry beneath the front door panel of the appliance. Ensure the trim height does not interfere with any appliances or cabinetry below. Black cabinetry trim is included with ovens.

**LEVEL CABINETRY**

Check the shelves are level and the side panels are straight.



The models shown in this Planning Guide may not be available in all markets and are subject to change at any time. Product specifications may vary from those shown. This Planning Guide should not be used as installation guidance for any product. Further information is required to safely and correctly install the products featured here. Specific installation guidance will be available on our website [fisherpaykel.com](http://fisherpaykel.com)

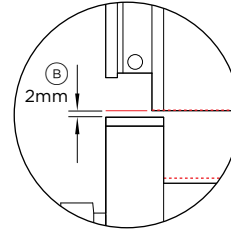
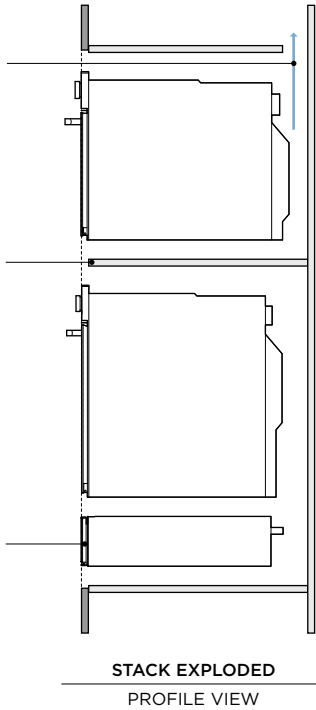
Ventilation air vent is required at rear for some products.

Dividing shelves are required to support stacked appliances and to achieve correct clearance.

Dividing shelves must be constructed from material that will support the weight of the appliances.

Ensure the oven is not bearing any weight from cabinetry or products installed above.

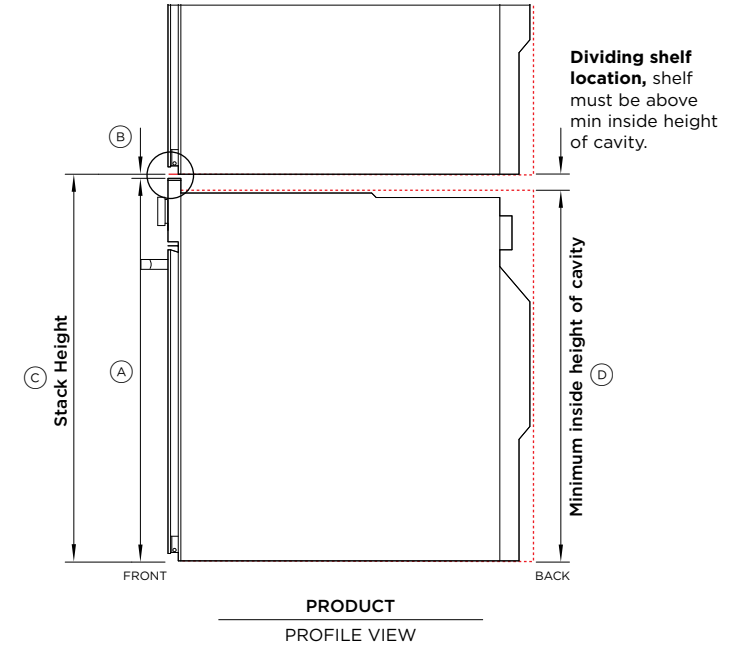
Warming Drawers and Vacuum Seal Drawers can fully support a 60cm Fisher & Paykel oven, without adding a shelf in between.



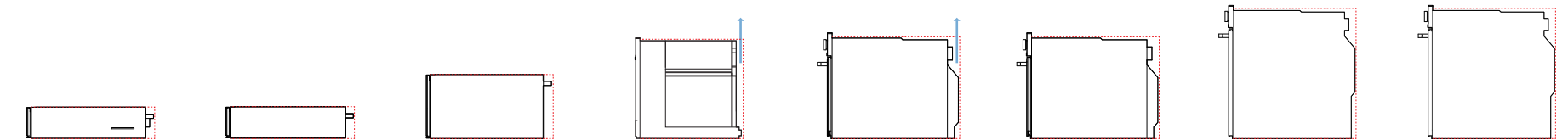
Minimum clearances above appliance control panel to upper appliance

**STACK HEIGHT**

$$\begin{aligned} & \textcircled{A} \text{ Overall product height} \\ & + \\ & \textcircled{B} \text{ Minimum clearances above appliance control panel or front panel to upper appliance} \\ & = \\ & \textcircled{C} \text{ Stacked Height} \end{aligned}$$



**MINIMUM DIMENSION CLEARANCES**



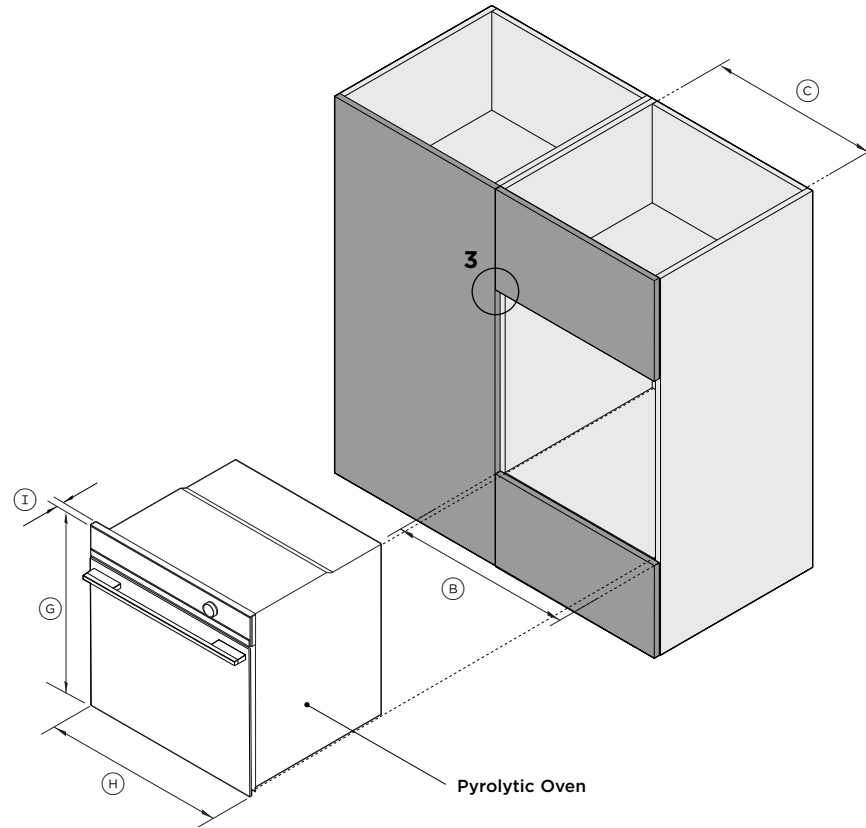
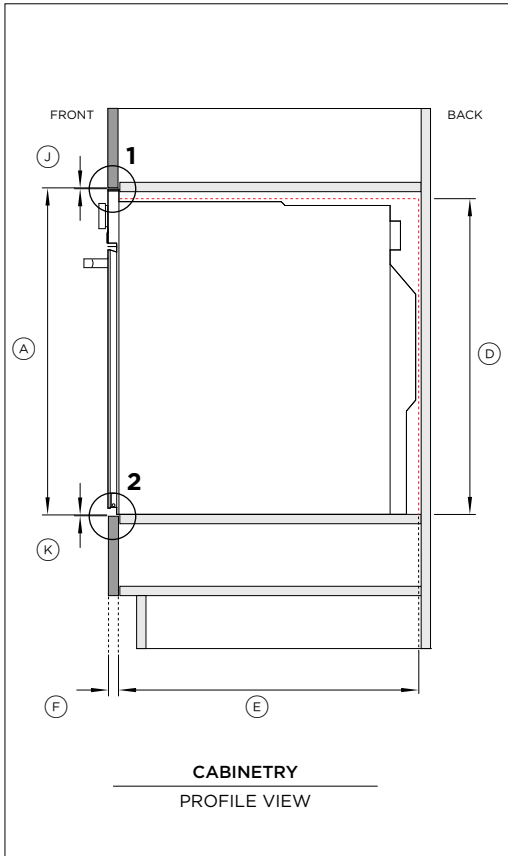
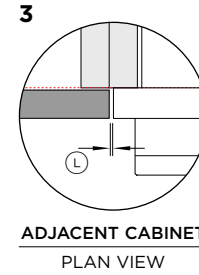
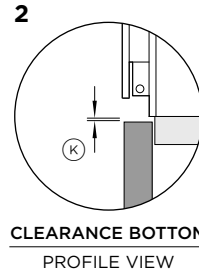
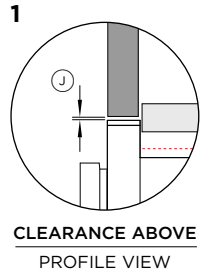
	VACUUM SEAL DRAWER VB60SDB1-SET	WARMING DRAWER WB60SDB1-SET	WARMING DRAWER, TALL WB60SDTB1-SET	BUILT-IN COFFEE MAKER EB60DSX1	COMPACT COMBI-MICRO-WAVE OVEN OM60NDTX1	COMPACT COMBI-STEAM OVEN OS60NDTX1	COMBI-STEAM OVEN OS60SDTX2	PYROLYTIC OVEN OB60SDPTDX2
<b>DIMENSIONS</b>								
Ⓐ Overall product height	140mm	140mm	290mm	458mm***	458mm	458mm	598mm	598mm
Ⓑ Minimum clearance above	-	-	-	2mm	2mm	2mm	2mm	2mm
Ⓒ Stack height	140mm**	140mm**	290mm**	460mm*	460mm*	460mm*	600mm*	600mm*
Ⓓ Minimum inside height of cavity	140mm	140mm	290mm	450mm	440mm	440mm	580mm	580mm

\*Stack Height is overall product height with minimum clearances above appliance control panel or front panel to upper appliance.  
 \*\*Warming Drawers and Vacuum Seal Drawers can fully support a 60cm Fisher & Paykel oven, without adding a shelf in between.  
 \*\*\*Includes coffee maker rail height.

The models shown in this Planning Guide may not be available in all markets and are subject to change at any time. Product specifications may vary from those shown. This Planning Guide should not be used as installation guidance for any product. Further information is required to safely and correctly install the products featured here. Specific installation guidance will be available on our website [fisherpaykel.com](http://fisherpaykel.com)

**COOKTOP CLEARANCE**

If installing a cooktop above the oven, ensure adequate clearance is provided for the cooktop as per the cooktop manufacturer's instructions.



**Model no:**  
Pyrolytic Oven - OB60SDPTDX2

<b>Cabinetry Dimensions - Flush</b>	<b>mm</b>
Ⓐ Overall cabinet height*	600
Ⓑ Overall cabinet width - single installation	600
Ⓒ Minimum inside width of cavity	560
Ⓓ Minimum inside height of cavity	580
Ⓔ Minimum inside depth of cavity	550
Ⓕ Thickness of cabinetry front panel**	16-20

\*Overall cabinet height is overall product height with minimum clearance above oven control panel to upper cabinetry front panel.  
\*\*Cabinetry shown in drawings 19mm panels.

Note: Consider placement of shelf above minimum inside height of cavity.

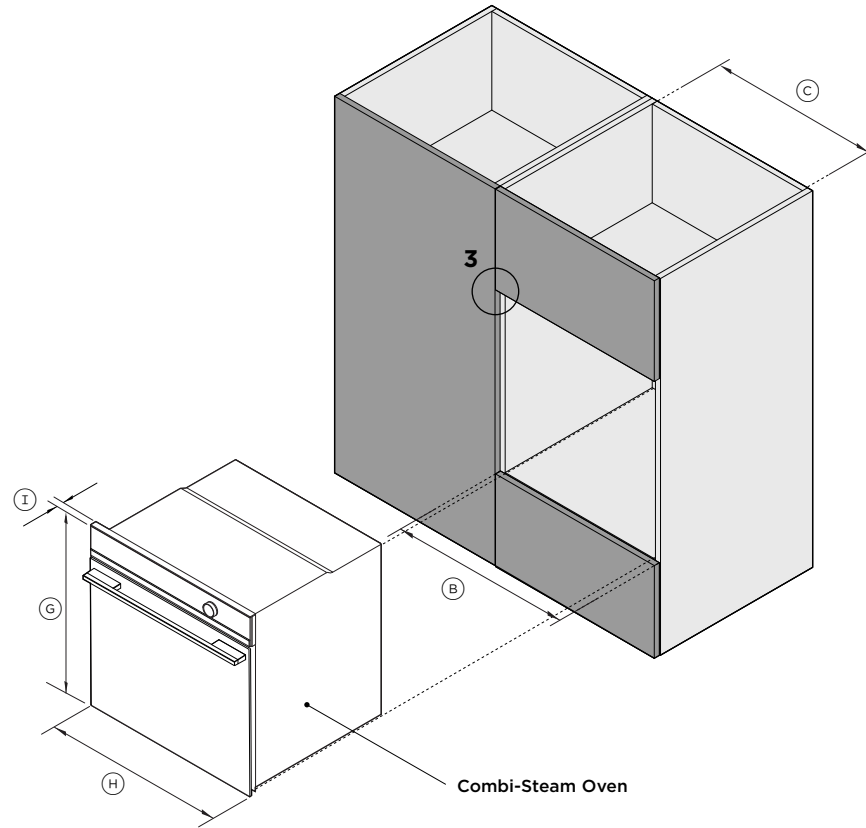
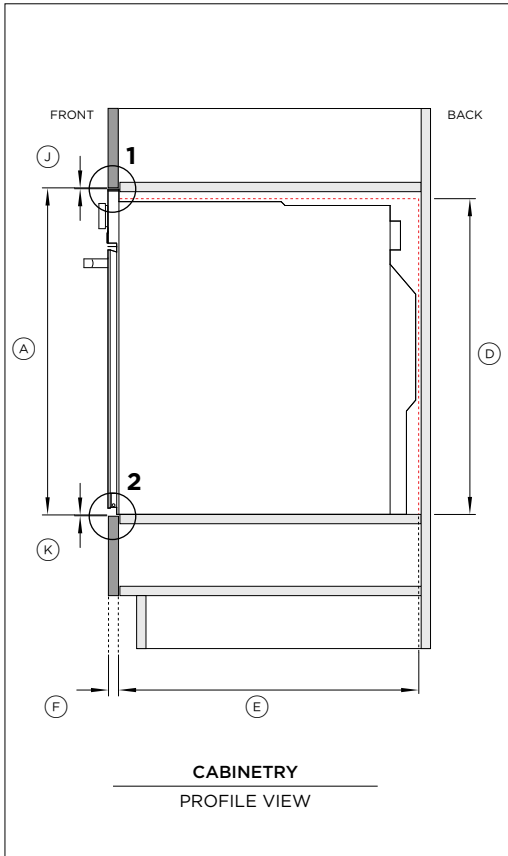
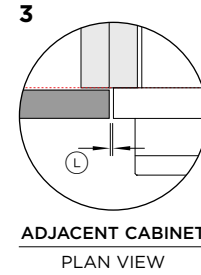
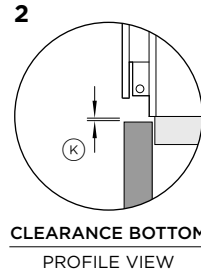
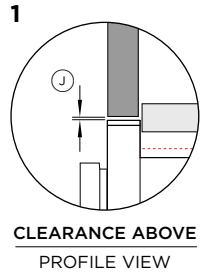
<b>Product Dimensions</b>	<b>mm</b>
Ⓒ Overall height of product	598
Ⓓ Overall width of product	596
Ⓕ Thickness of oven front panel (excludes dial, handle and metal trim)	20

<b>Cabinetry Clearances</b>	<b>mm</b>
Ⓐ Minimum clearances above oven control panel to upper cabinetry front panel	2
Ⓑ Minimum clearances between bottom of oven chassis to lower cabinetry front panel	2
Ⓒ Minimum clearance between adjacent front panel or appliance	2

The models shown in this Planning Guide may not be available in all markets and are subject to change at any time. Product specifications may vary from those shown. This Planning Guide should not be used as installation guidance for any product. Further information is required to safely and correctly install the products featured here. Specific installation guidance will be available on our website [fisherpaykel.com](http://fisherpaykel.com)

**COOKTOP CLEARANCE**

If installing a cooktop above the oven, ensure adequate clearance is provided for the cooktop as per the cooktop manufacturer's instructions.



**Model no:**  
Combi-Steam Oven - OS60SDTDX2

<b>Cabinetry Dimensions - Flush</b>	<b>mm</b>
Ⓐ Overall cabinet height*	600
Ⓑ Overall cabinet width - single installation	600
Ⓒ Minimum inside width of cavity	560
Ⓓ Minimum inside height of cavity	580
Ⓔ Minimum inside depth of cavity	550
Ⓕ Thickness of cabinetry front panel**	16-20

\*Overall cabinet height is overall product height with minimum clearance above oven control panel to upper cabinetry front panel.  
\*\*Cabinetry shown in drawings 19mm panels.

Note: Consider placement of shelf above minimum inside height of cavity.

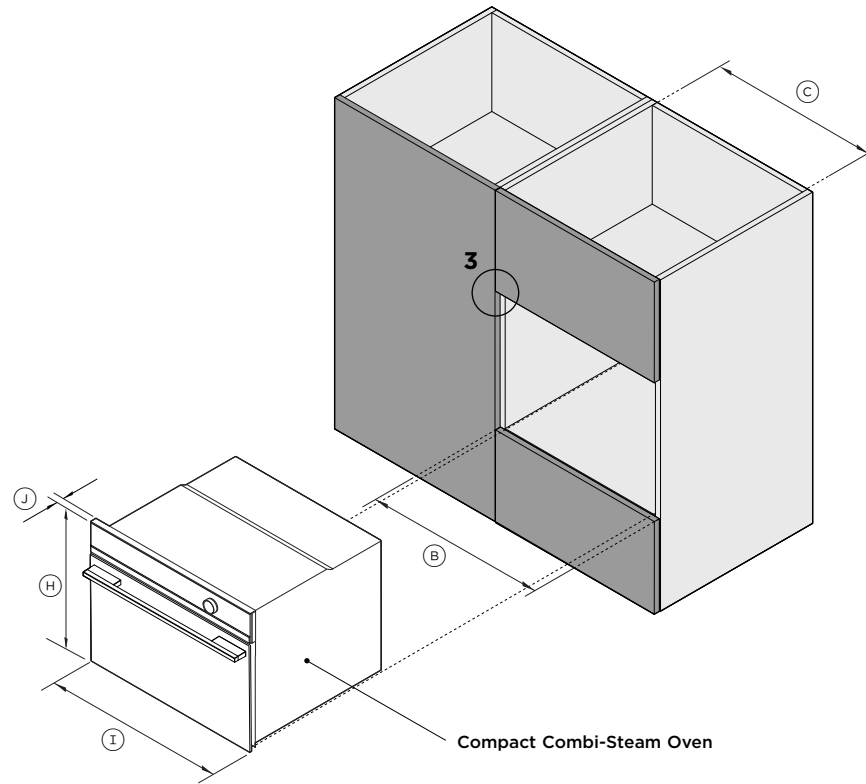
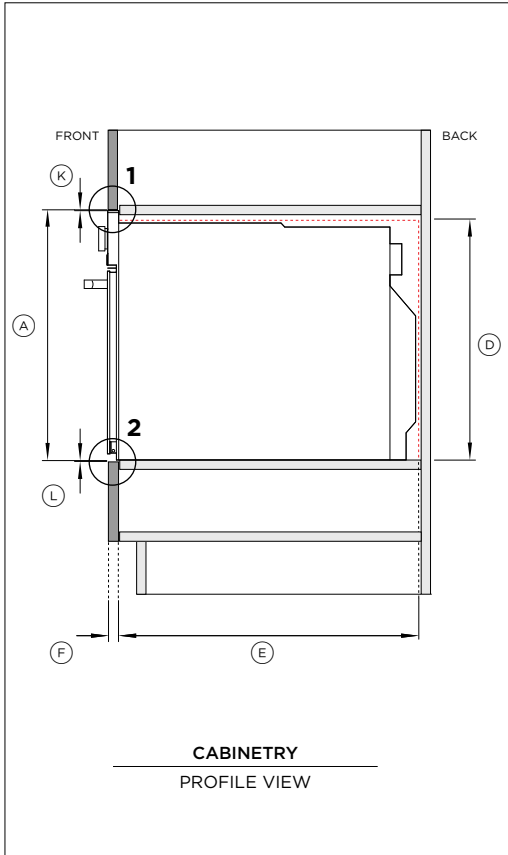
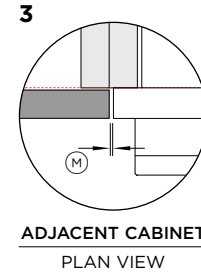
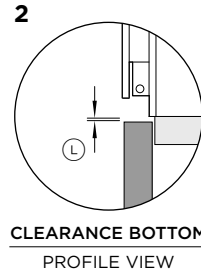
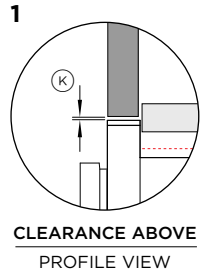
<b>Product Dimensions</b>	<b>mm</b>
Ⓒ Overall height of product	598
Ⓓ Overall width of product	596
Ⓕ Thickness of oven front panel (excludes dial, handle and metal trim)	20

<b>Cabinetry Clearances</b>	<b>mm</b>
Ⓐ Minimum clearances above oven control panel to upper cabinetry front panel	2
Ⓑ Minimum clearances between bottom of oven chassis to lower cabinetry front panel	2
Ⓒ Minimum clearance between adjacent front panel or appliance	2

The models shown in this Planning Guide may not be available in all markets and are subject to change at any time. Product specifications may vary from those shown. This Planning Guide should not be used as installation guidance for any product. Further information is required to safely and correctly install the products featured here. Specific installation guidance will be available on our website [fisherpaykel.com](http://fisherpaykel.com)

**COOKTOP CLEARANCE**

If installing a cooktop above the oven, ensure adequate clearance is provided for the cooktop as per the cooktop manufacturer's instructions.



**Model no:**  
Compact Combi-Steam Oven - OS60NDDTX1

<b>Cabinetry Dimensions - Flush</b>		<b>mm</b>
Ⓐ	Overall cabinet height*	460
Ⓑ	Overall cabinet width - single installation	600
Ⓒ	Minimum inside width of cavity	560
Ⓓ	Minimum inside height of cavity	440
Ⓔ	Minimum inside depth of cavity	550
Ⓕ	Thickness of cabinetry front panel**	16-20

\*Overall cabinet height is overall product height with minimum clearance above oven control panel to upper cabinetry front panel.  
\*\*Cabinetry shown in drawings 19mm panels.

Note: Consider placement of shelf above minimum inside height of cavity.

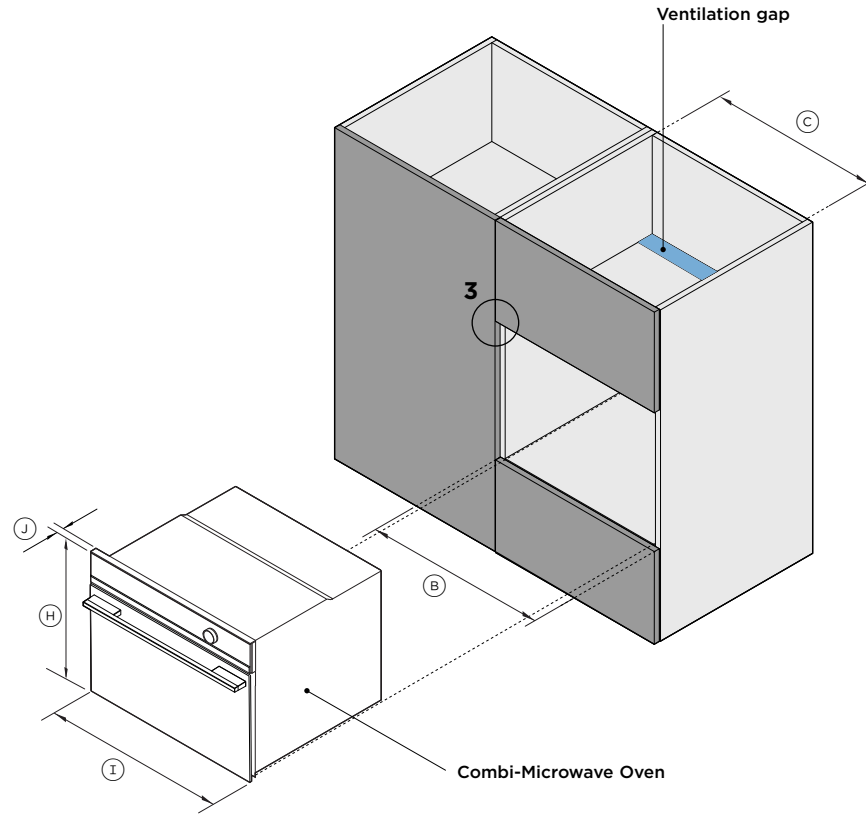
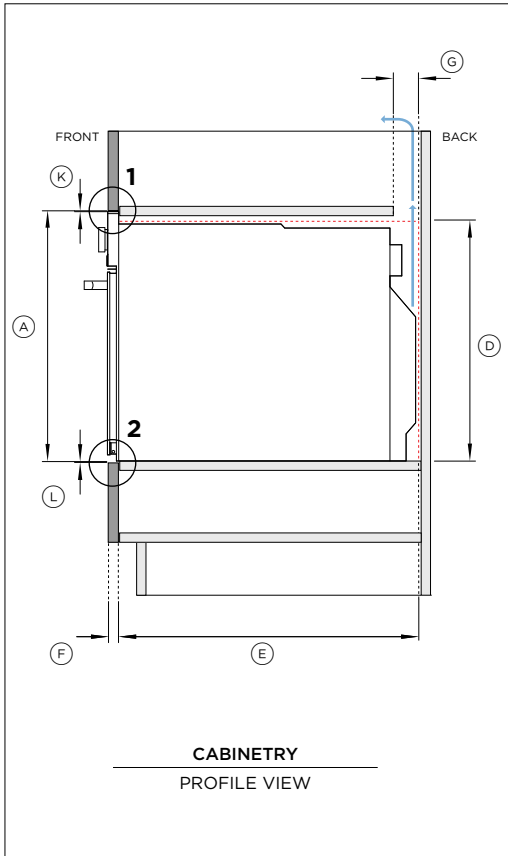
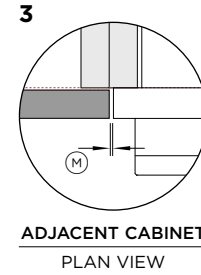
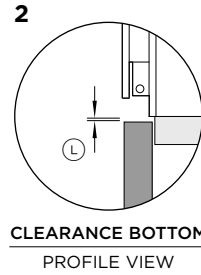
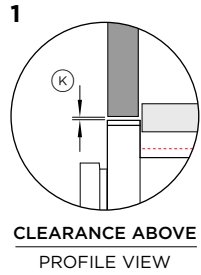
<b>Product Dimensions</b>		<b>mm</b>
Ⓖ	Overall height of product	458
Ⓗ	Overall width of product	596
Ⓘ	Thickness of oven front panel (excludes dial, handle and metal trim)	20

<b>Cabinetry Clearances</b>		<b>mm</b>
Ⓚ	Minimum clearances above oven control panel to upper cabinetry front panel	2
Ⓛ	Minimum clearances between bottom of oven chassis to lower cabinetry front panel	2
Ⓜ	Minimum clearance between adjacent front panel or appliance	2

The models shown in this Planning Guide may not be available in all markets and are subject to change at any time. Product specifications may vary from those shown. This Planning Guide should not be used as installation guidance for any product. Further information is required to safely and correctly install the products featured here. Specific installation guidance will be available on our website [fisherpaykel.com](http://fisherpaykel.com)

**VENTILATION**

Ventilation of 50mm x 560mm or totalling 280cm<sup>2</sup> is required. The air vent must be located at the rear of cabinet, it can be positioned at the base, top, sides, or back.



**Model no:**  
Combi-Microwave Oven - OM60NDTDX1

<b>Cabinetry Dimensions - Flush</b>	<b>mm</b>
Ⓐ Overall cabinet height*	460
Ⓑ Overall cabinet width - single installation	600
Ⓒ Minimum inside width of cavity**	560
Ⓓ Minimum inside height of cavity	440
Ⓔ Minimum inside depth of cavity	550
Ⓕ Thickness of cabinetry front panel**	16-20
Ⓖ Ventilation gap***	50

\*Overall cabinet height is overall product height with minimum clearance above oven control panel to upper cabinetry front panel.  
 \*\*Cabinetry shown in drawings 19mm panels.  
 \*\*\*A rear ventilation air vent totalling 280cm<sup>2</sup> is required. The air vent must be located at the rear of the cabinet, it can be positioned at the base, sides, back or top of the cavity.

Note: Consider placement of shelf above minimum inside height of cavity.

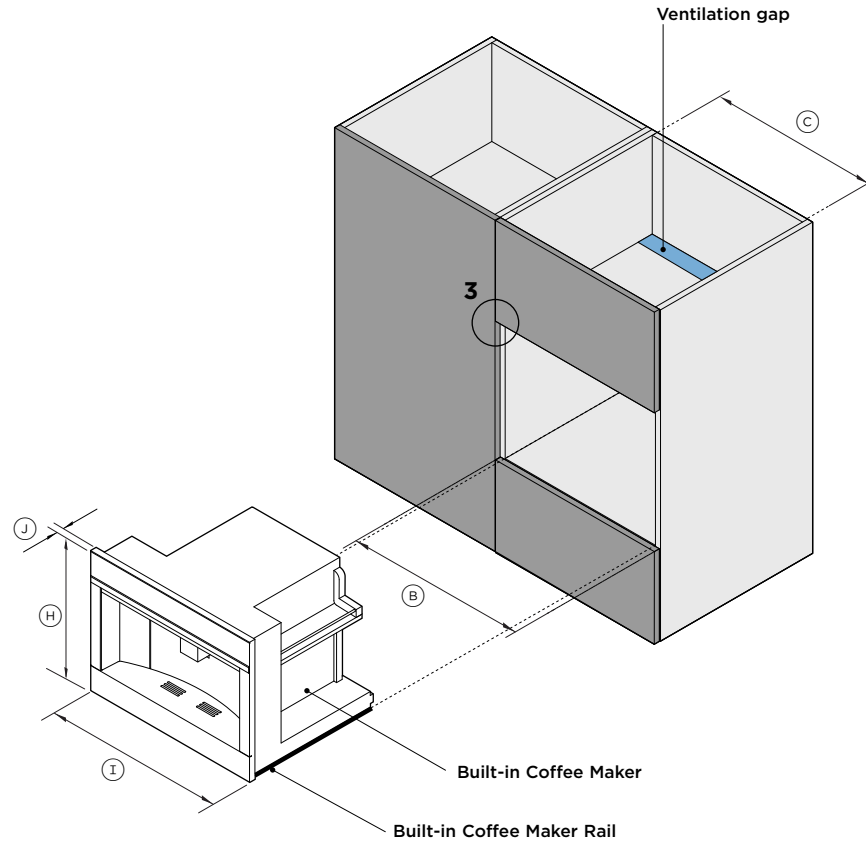
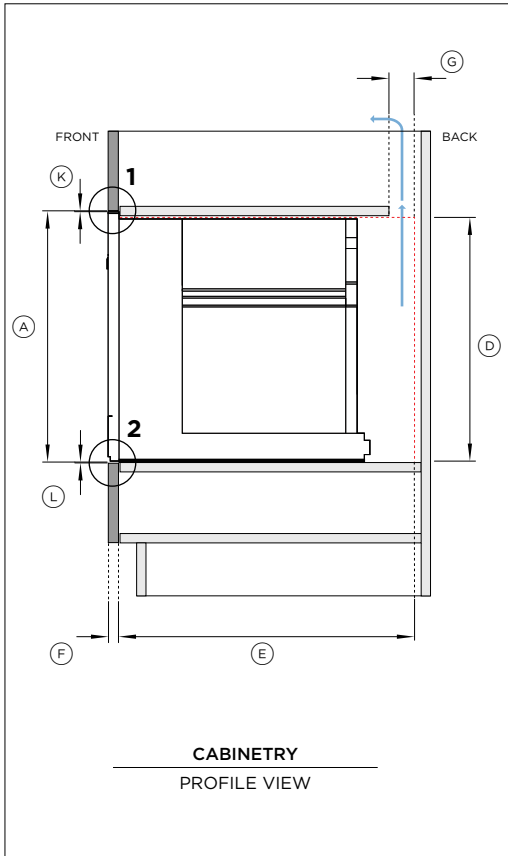
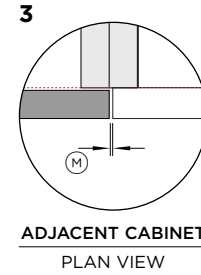
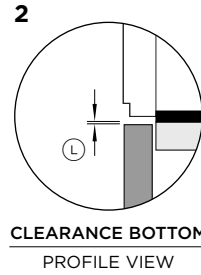
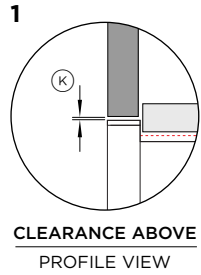
<b>Product Dimensions</b>	<b>mm</b>
Ⓜ Overall height of product	458
Ⓨ Overall width of product	596
Ⓦ Thickness of oven front panel (excludes dial, handle and metal trim)	20

<b>Cabinetry Clearances</b>	<b>mm</b>
Ⓚ Minimum clearances above oven control panel to upper cabinetry front panel	2
Ⓛ Minimum clearances between bottom of oven chassis to lower cabinetry front panel	2
Ⓜ Minimum clearance between adjacent front panel or appliance	2

The models shown in this Planning Guide may not be available in all markets and are subject to change at any time. Product specifications may vary from those shown. This Planning Guide should not be used as installation guidance for any product. Further information is required to safely and correctly install the products featured here. Specific installation guidance will be available on our website fisherpaykel.com

**VENTILATION**

Ventilation of 50mm x 560mm or totalling 280cm<sup>2</sup> is required. The air vent must be located at the rear of cabinet, it can be positioned at the base, top, sides, or back.



**Model no:**  
Built-in Coffee Maker - EB60DSX1

<b>Cabinetry Dimensions - Flush</b>		<b>mm</b>
Ⓐ	Overall cabinet height*	460
Ⓑ	Overall cabinet width - single installation	600
Ⓒ	Minimum inside width of cavity**	560
Ⓓ	Minimum inside height of cavity	450
Ⓔ	Minimum inside depth of cavity	545
Ⓕ	Thickness of cabinetry front panel**	16-20
Ⓖ	Ventilation gap***	50

\*Overall cabinet height is overall product height with minimum clearance above coffee maker control panel to upper cabinetry front panel  
 \*\*Cabinetry shown in drawings 19mm panels.  
 \*\*\*A rear ventilation air vent totalling 280cm<sup>2</sup> is required. The air vent must be located at the rear of the cabinet, it can be positioned at the base, sides, back or top of the cavity.

Note: Consider placement of shelf above minimum inside height of cavity.

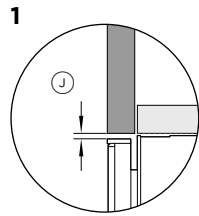
<b>Product Dimensions</b>		<b>mm</b>
Ⓗ	Overall height of product	458
Ⓘ	Overall width of product	596
Ⓙ	Thickness of coffee maker control panel (excludes dial, handle and metal trim)	20

<b>Cabinetry Clearances</b>		<b>mm</b>
Ⓚ	Minimum clearances above coffee maker control panel to upper cabinetry front panel	2
Ⓛ	Minimum clearances between bottom of coffee maker rails to lower cabinetry front panel	2
Ⓜ	Minimum clearance between adjacent front panel or appliance	2

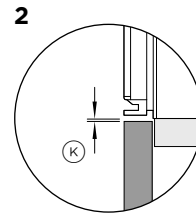
The models shown in this Planning Guide may not be available in all markets and are subject to change at any time. Product specifications may vary from those shown. This Planning Guide should not be used as installation guidance for any product. Further information is required to safely and correctly install the products featured here. Specific installation guidance will be available on our website [fisherpaykel.com](http://fisherpaykel.com)

**NOTE**

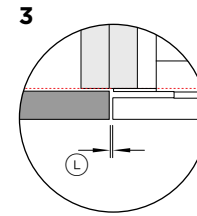
The Warming Drawer can fully support a 60cm Fisher & Paykel oven, without adding a shelf in between.



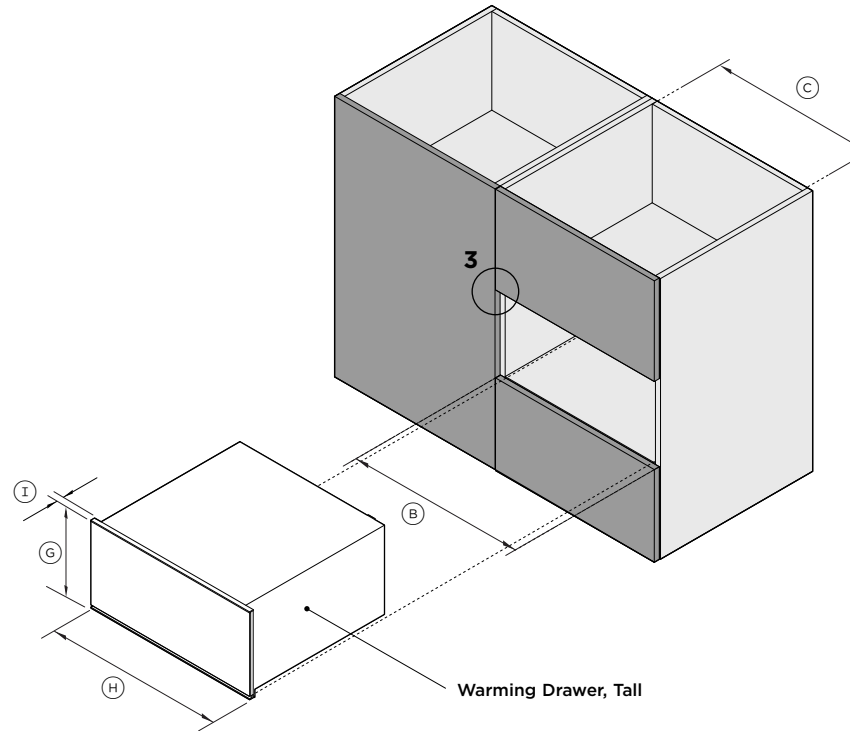
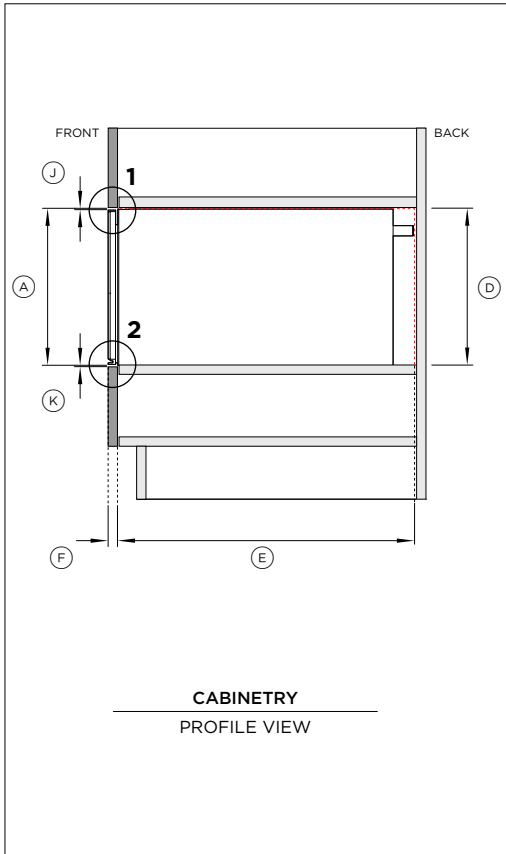
**1**  
**CLEARANCE ABOVE**  
PROFILE VIEW



**2**  
**CLEARANCE BOTTOM**  
PROFILE VIEW



**3**  
**ADJACENT CABINET**  
PLAN VIEW



**Model no:**

Warming Drawer, Tall - WB60SDTB1-SET

<b>Cabinetry Dimensions - Flush</b>		<b>mm</b>
Ⓐ	Overall cabinet height*	294
Ⓑ	Overall cabinet width	600
Ⓒ	Minimum inside width of cavity	560
Ⓓ	Minimum inside height of cavity	292
Ⓔ	Minimum inside depth of cavity	550
Ⓕ	Thickness of cabinetry front panel**	16-20

\*Overall cabinet height is overall product height with minimum clearance above drawer front panel to upper cabinetry front panel.

\*\*Cabinetry shown in drawings 19mm panels.

Note: Consider placement of shelf above minimum inside height of cavity.

<b>Product Dimensions</b>		<b>mm</b>
Ⓒ	Overall height of product	290
Ⓓ	Overall width of product	596
Ⓕ	Thickness of warming drawer front panel and flange	20

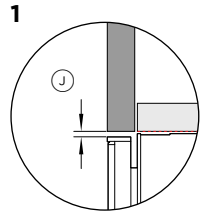
<b>Cabinetry Clearances</b>		<b>mm</b>
Ⓐ	Minimum clearances above drawer front panel to upper cabinetry front panel*	4
Ⓑ	Minimum clearances between bottom of drawer chassis to lower cabinetry front panel	2
Ⓒ	Minimum clearance between adjacent front panel or appliance	2

\*Achieve a smaller gap between drawer front panel to upper cabinetry front panel by dropping cabinetry front panel down

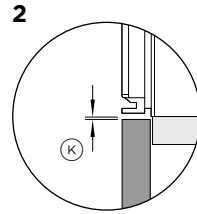
The models shown in this Planning Guide may not be available in all markets and are subject to change at any time. Product specifications may vary from those shown. This Planning Guide should not be used as installation guidance for any product. Further information is required to safely and correctly install the products featured here. Specific installation guidance will be available on our website [fisherpaykel.com](http://fisherpaykel.com)

**NOTE**

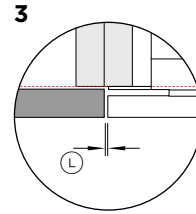
The Warming Drawer can fully support a 60cm Fisher & Paykel oven, without adding a shelf in between.



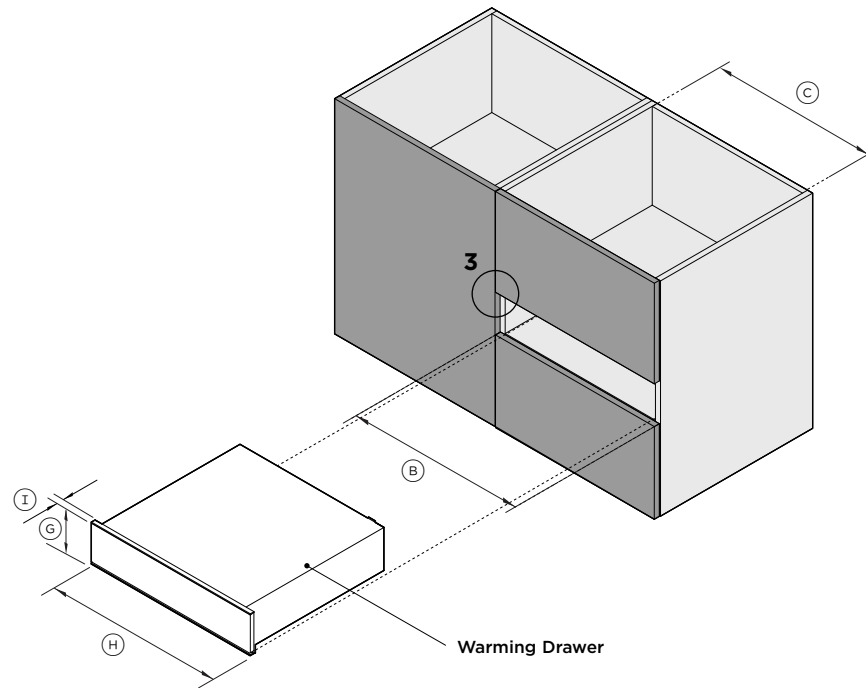
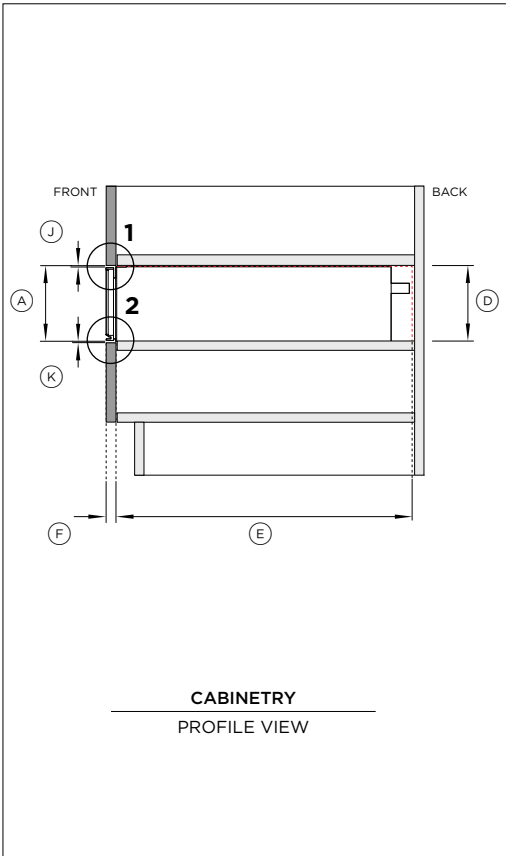
**1**  
**CLEARANCE ABOVE**  
PROFILE VIEW



**2**  
**CLEARANCE BOTTOM**  
PROFILE VIEW



**3**  
**ADJACENT CABINET**  
PLAN VIEW



**Model no:**  
Warming Drawer - WB60SDB1-SET

<b>Cabinetry Dimensions - Flush</b>		<b>mm</b>
Ⓐ	Overall cabinet height*	144
Ⓑ	Overall cabinet width - single installation	600
Ⓒ	Minimum inside width of cavity	560
Ⓓ	Minimum inside height of cavity	142
Ⓔ	Minimum inside depth of cavity	550
Ⓕ	Thickness of cabinetry front panel**	16-20

\*Overall cabinet height is overall product height with minimum clearance above drawer front panel to upper cabinetry front panel.  
\*\*Cabinetry shown in drawings 19mm panels.

Note: Consider placement of shelf above minimum inside height of cavity.

<b>Product Dimensions</b>		<b>mm</b>
Ⓖ	Overall height of product	140
Ⓗ	Overall width of product	596
Ⓘ	Thickness of warming drawer front panel and flange	20

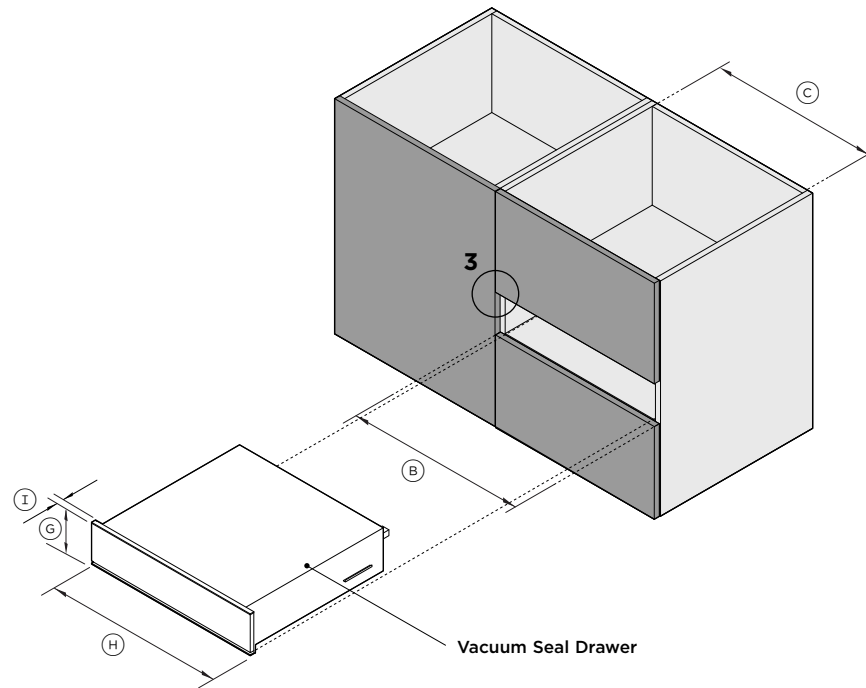
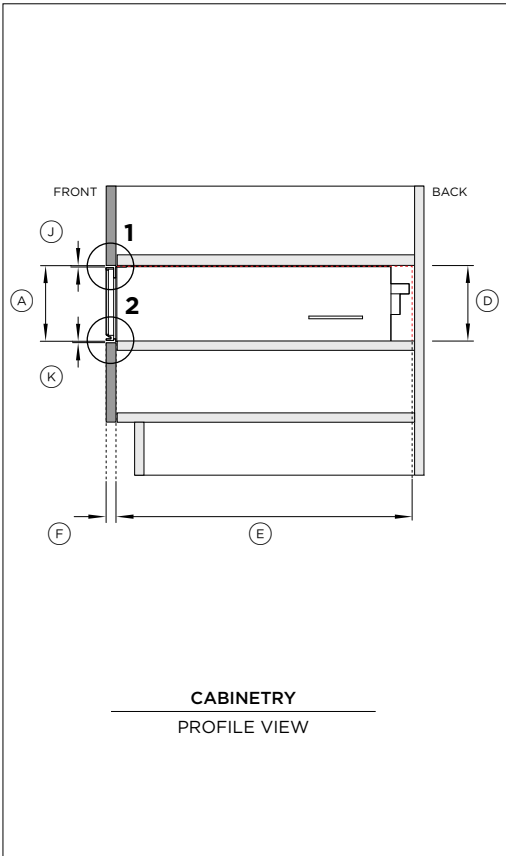
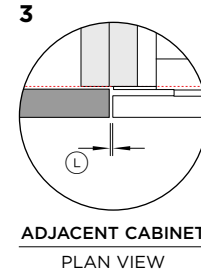
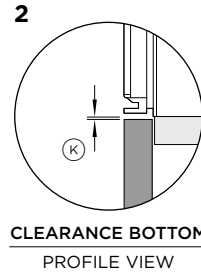
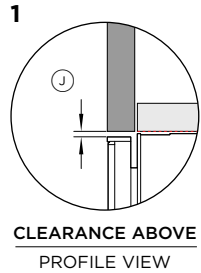
<b>Cabinetry Clearances</b>		<b>mm</b>
⓵	Minimum clearances above drawer front panel to upper cabinetry front panel*	4
⓷	Minimum clearances between bottom of drawer chassis to lower cabinetry front panel	2
⓸	Minimum clearance between adjacent front panel or appliance	2

\*Achieve a smaller gap between drawer front panel to upper cabinetry front panel by dropping cabinetry front panel down

The models shown in this Planning Guide may not be available in all markets and are subject to change at any time. Product specifications may vary from those shown. This Planning Guide should not be used as installation guidance for any product. Further information is required to safely and correctly install the products featured here. Specific installation guidance will be available on our website [fisherpaykel.com](http://fisherpaykel.com)

**NOTE**

The Vacuum Seal Drawer can fully support a 60cm Fisher & Paykel oven, without adding a shelf in between.



**Model no:**  
Vacuum Seal Drawer - VB60SDB1-SET

<b>Cabinetry Dimensions - Flush</b>		<b>mm</b>
Ⓐ	Overall cabinet height*	144
Ⓑ	Overall cabinet width - single installation	600
Ⓒ	Minimum inside width of cavity	560
Ⓓ	Minimum inside height of cavity	142
Ⓔ	Minimum inside depth of cavity	550
Ⓕ	Thickness of cabinetry front panel**	16-20

\*Overall cabinet height is overall product height with minimum clearance above drawer front panel to upper cabinetry front panel.  
\*\*Cabinetry shown in drawings 19mm panels.

Note: Consider placement of shelf above minimum inside height of cavity.

<b>Product Dimensions</b>		<b>mm</b>
Ⓒ	Overall height of product	140
Ⓓ	Overall width of product	596
Ⓘ	Thickness of vacuum seal drawer front panel and flange	20

<b>Cabinetry Clearances</b>		<b>mm</b>
Ⓙ	Minimum clearances above drawer front panel to upper cabinetry front panel*	4
Ⓚ	Minimum clearances between bottom of drawer chassis to lower cabinetry front panel	2
Ⓛ	Minimum clearance between adjacent front panel or appliance	2

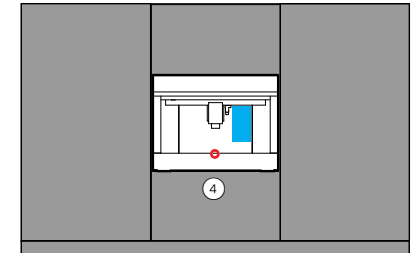
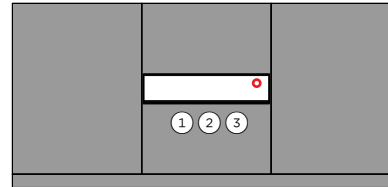
\*Achieve a smaller gap between drawer front panel to upper cabinetry front panel by dropping cabinetry front panel down

The models shown in this Planning Guide may not be available in all markets and are subject to change at any time. Product specifications may vary from those shown. This Planning Guide should not be used as installation guidance for any product. Further information is required to safely and correctly install the products featured here. Specific installation guidance will be available on our website [fisherpaykel.com](http://fisherpaykel.com)

## SERVICES

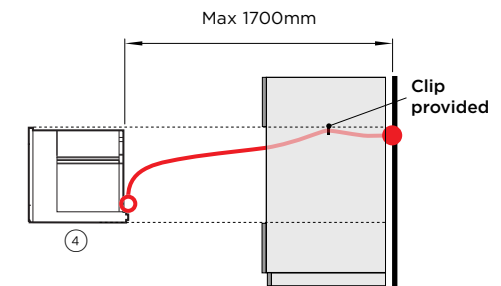
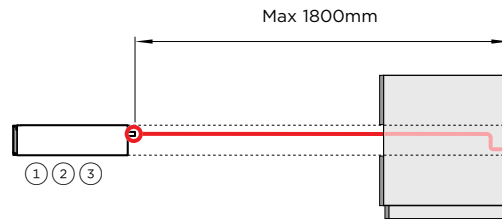
**CONNECTION**



Connections may be located in an adjacent cabinet to either side of the appliance. Ensure power will remain accessible following install to allow access for any future product maintenance.



**BUILT-IN COFFEE MAKER**

The power cable must be long enough to allow the appliance to be extracted from the cabinet to fill the coffee bean container. Fix the power cable with the clip.



-  Power Cable
-  Water Tank

① **VACUUM SEAL DRAWER**  
VB60SDB1-SET

② **WARMING DRAWER**  
WB60SDB1-SET

③ **WARMING DRAWER, TALL**  
WB60SDTB1-SET

④ **BUILT-IN COFFEE MAKER**  
EB60DSX1

**POWER CORD**

Maximum power cord length*	1800mm	1800mm	1800mm	1700mm
Location	Upper right	Upper right	Upper right	Lower centered
Connection	Flex cord with plug	Flex cord with plug	Flex cord with plug	Flex cord with plug

\*Measured from power outlet.

**WATER**

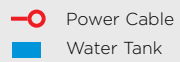
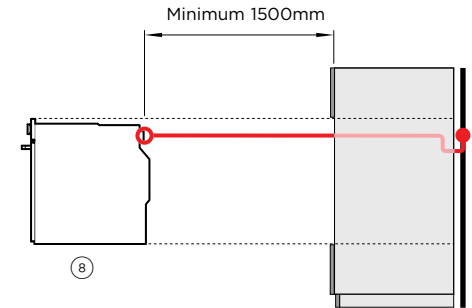
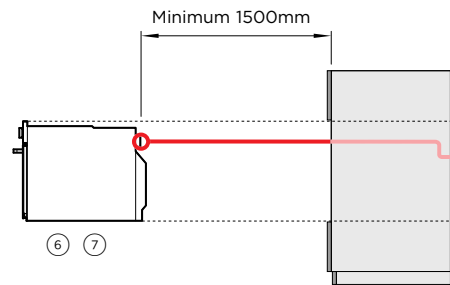
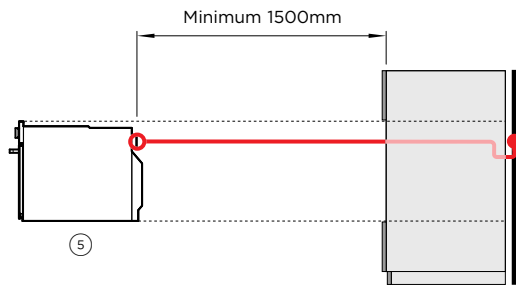
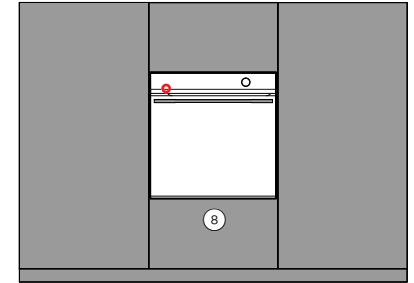
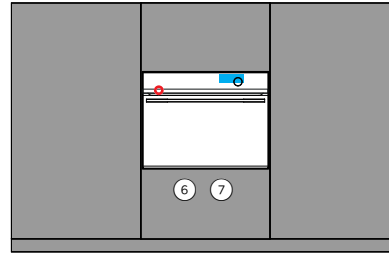
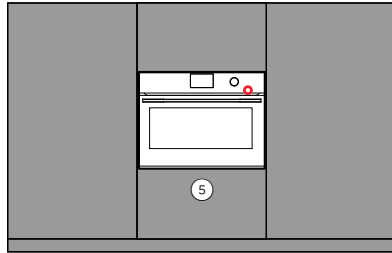
Total Capacity	-	-	-	2.4L
Location	-	-	-	Water tank (internal)

**ELECTRICAL**

Supply	220-240 V, 50 Hz	220-240 V, 50 Hz	220-240 V, 50 Hz	220-240 V, 50 Hz
Service	10 A	10 A	10 A	10 A

Note: Multiple product installation requires the design of power outlets according to local regulations.

The models shown in this Planning Guide may not be available in all markets and are subject to change at any time. Product specifications may vary from those shown. This Planning Guide should not be used as installation guidance for any product. Further information is required to safely and correctly install the products featured here. Specific installation guidance will be available on our website [fisherpaykel.com](http://fisherpaykel.com)



- ⑤ COMPACT COMBI-MICROWAVE OVEN**  
 OM60NDTDX1
- ⑥ COMPACT COMBI-STEAM OVEN**  
 OS60NDTDX1
- ⑦ COMBI-STEAM OVEN**  
 OS60SDTDX2
- ⑧ PYROLYTIC OVEN**  
 OB60SDPTDX2

<b>POWER CORD</b>				
Power cord free length	Minimum 1500mm*	Minimum 1500mm*	Minimum 1500mm*	Minimum 1500mm*
Location	Upper right	Upper left	Upper left	Upper left
Connection	Hard wire**	Hard wire**	Hard wire**	Hard wire**

\*The electrician provides sufficient free length of power supply cable to reach from the bottom rear of the cavity to at least 1.5m in front of the bottom edge of the opening  
 \*\*For more information, refer to the Installation Guide. Ensure power will remain accessible following install to allow access for any future product maintenance.

<b>WATER</b>				
Total Capacity	-	1.5L	1.5L	-
Location	-	Water tank (internal)	Water tank (internal)	-

<b>ELECTRICAL</b>				
Supply	220-240 V, 50 Hz	220-240 V, 50 Hz	220-240 V, 50 Hz	220-240 V, 50 Hz
Service	20 A	15 A	15 A	15 A

Note: Multiple product installation requires the design of power outlets according to local regulations.

The models shown in this Planning Guide may not be available in all markets and are subject to change at any time. Product specifications may vary from those shown. This Planning Guide should not be used as installation guidance for any product. Further information is required to safely and correctly install the products featured here. Specific installation guidance will be available on our website [fisherpaykel.com](http://fisherpaykel.com)

