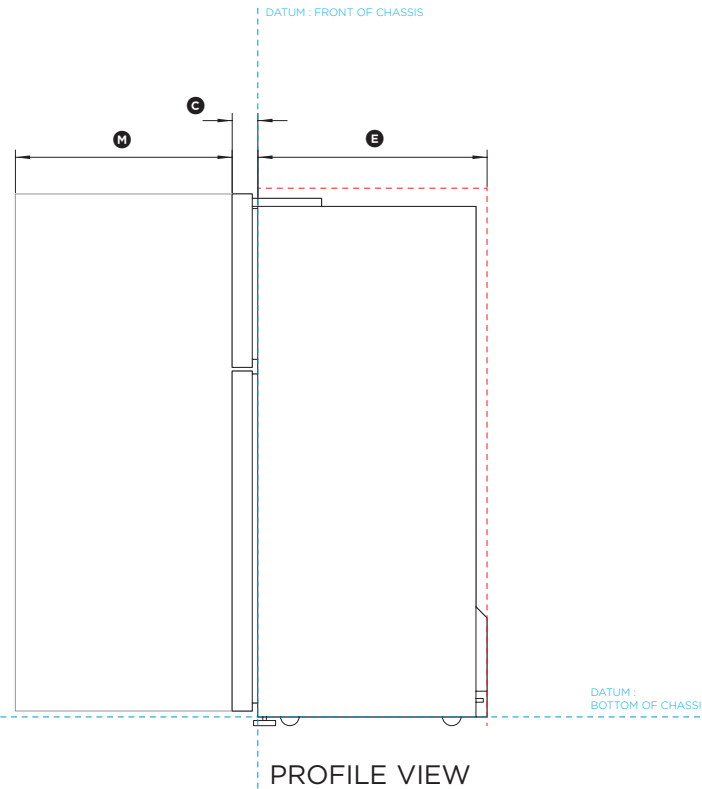
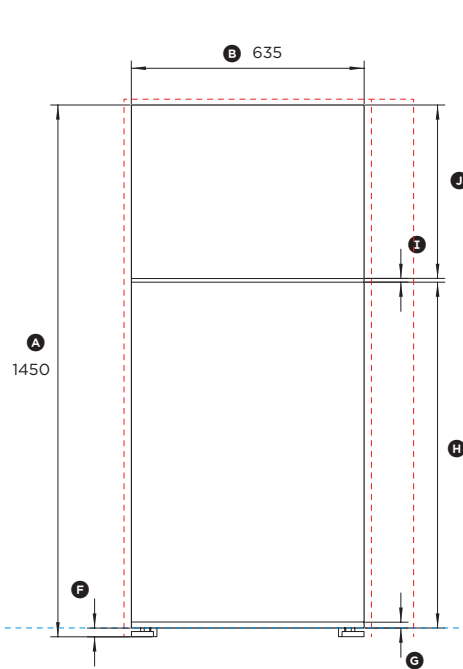
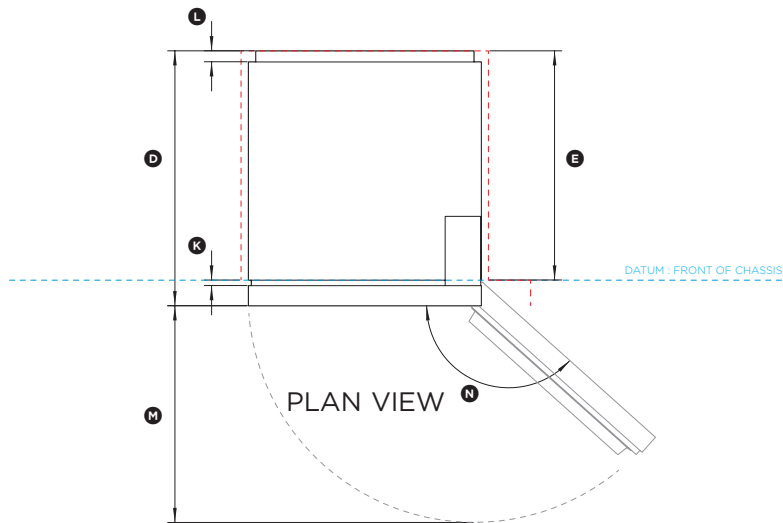


Model no:
RF331TRPW6



Product Dimensions	mm
Ⓐ Overall height* of fridge	1450
Ⓑ Overall width of fridge	635
Ⓒ Depth of fridge door and gasket	70
Ⓓ Depth of fridge door and chassis	695
Ⓔ Depth of fridge chassis (does not include fridge door)	625
Ⓕ Height of feet (adjustable)	24
Ⓖ Height from bottom of chassis to bottom of bottom door	16
Ⓗ Height from bottom of chassis to top of bottom door	943
Ⓚ Gap between doors	10
Ⓛ Height of top door	473
Ⓜ Depth of door gasket	15
Ⓝ Depth of evaporator tray	30
Ⓟ Depth of door (open at 90°) (measured from front of door)	591
Ⓡ Rotation of door (open)	135°

* Includes mounted feet

Minimum Clearances	mm
Minimum height of cavity	1470
Minimum side clearance installed flush with chassis	20
Side clearance (hinge side) installed flush with door - full rotation	135
Rear clearance (including evaporator tray)	30

INDICATES PRODUCT DATUM -----
INDICATES CABINERY CLEARANCES -----

DATE: 02.12.2016

IMPORTANT NOTE: Throughout this guide, dimensions may vary by ±2mm (3/32"). Please read the installation manual for detailed information on installing the product. For full installation instructions & specifications visit fisherpaykel.com

